



US00D464219S

(12) **United States Design Patent**
Hecht et al.

(10) **Patent No.:** **US D464,219 S**

(45) **Date of Patent:** **** Oct. 15, 2002**

(54) **TABLE LEG**

(75) Inventors: **Thomas R. Hecht**, Manheim, PA (US);
Howard F. Livingston, Lancaster, PA (US)

(73) Assignee: **Home Gardener Manufacturing Co.**,
Lititz, PA (US)

(**) Term: **14 Years**

(21) Appl. No.: **29/146,342**

(22) Filed: **Aug. 9, 2001**

(51) **LOC (7) Cl.** **06-01**

(52) **U.S. Cl.** **D6/495**

(58) **Field of Search** D6/349, 350, 370,
D6/480, 484, 495; 297/461, 462; 108/151,
153.1, 155, 156, 161; 248/188, 188.1, 188.8

(56) **References Cited**

U.S. PATENT DOCUMENTS

2,406,078	A	8/1946	Hushower	304/32
2,817,423	A	12/1957	Dye et al.	189/36
2,931,129	A	4/1960	Boniface	46/17
D213,496	S	* 3/1969	Wormser	D6/349
D217,145	S	* 4/1970	Solie	D6/349
D228,857	S	* 10/1973	Allsop	D6/480
4,355,725	A	10/1982	Humphrey	211/49 R
4,474,299	A	10/1984	Andrews	211/193
4,758,111	A	7/1988	Vitta	403/176
5,560,588	A	10/1996	Hilliard	256/65

* cited by examiner

Primary Examiner—Janice E. Seeger

(74) *Attorney, Agent, or Firm*—Dykema Gossett PLLC

(57) **CLAIM**

The ornamental design for a table leg, as shown and described.

DESCRIPTION

FIG. 1 is a side perspective view of the table leg of the present invention, the opposite side being a mirror image thereof;

FIG. 2 is a side elevation view of the table leg, the opposite side being a mirror image thereof;

FIG. 3 is a top plan view of the table leg;

FIG. 4 is a front elevation view of the table leg, the rear elevation view being a mirror image thereof;

FIG. 5 is a bottom plan view of the table leg;

FIG. 6 is a bottom, front, partial-perspective view of the table leg;

FIG. 7 is a partial elevation view of a detail taken within line 7—7 in FIG. 6, the detail showing the aligning means of the table leg member; and,

FIG. 8 is a cross-sectional view of a web member within the aligning means, taken along line 8—8 in FIG. 7.

The broken-line disclosure of the top and cross-support pieces in FIGS. 6, 7 & 8 are for illustrative purposes. The web members shown in FIGS. 7 and 8 may be sheared-off during installation of the cross-support pieces.

1 Claim, 3 Drawing Sheets

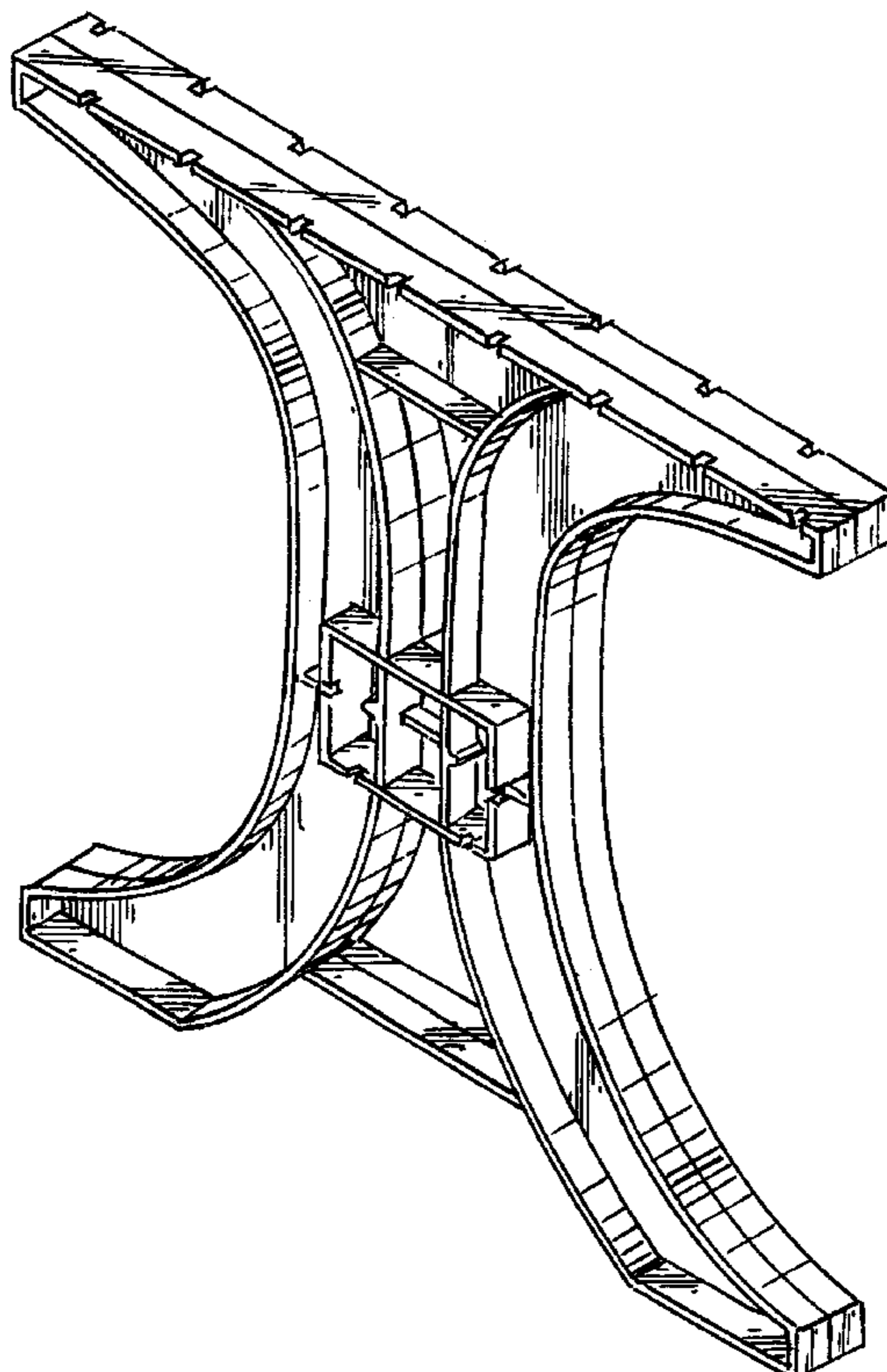


FIG. 6

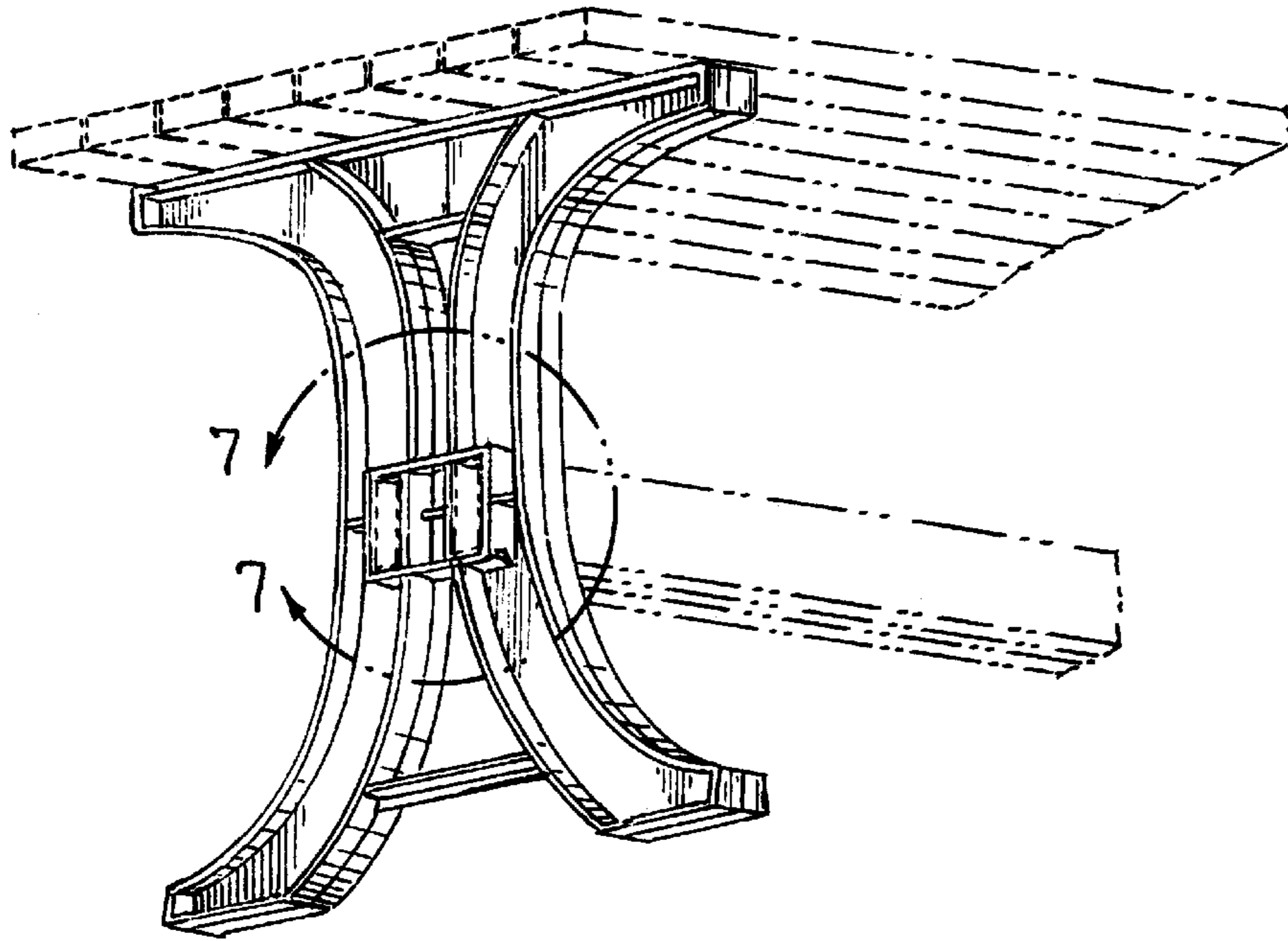


FIG. 1

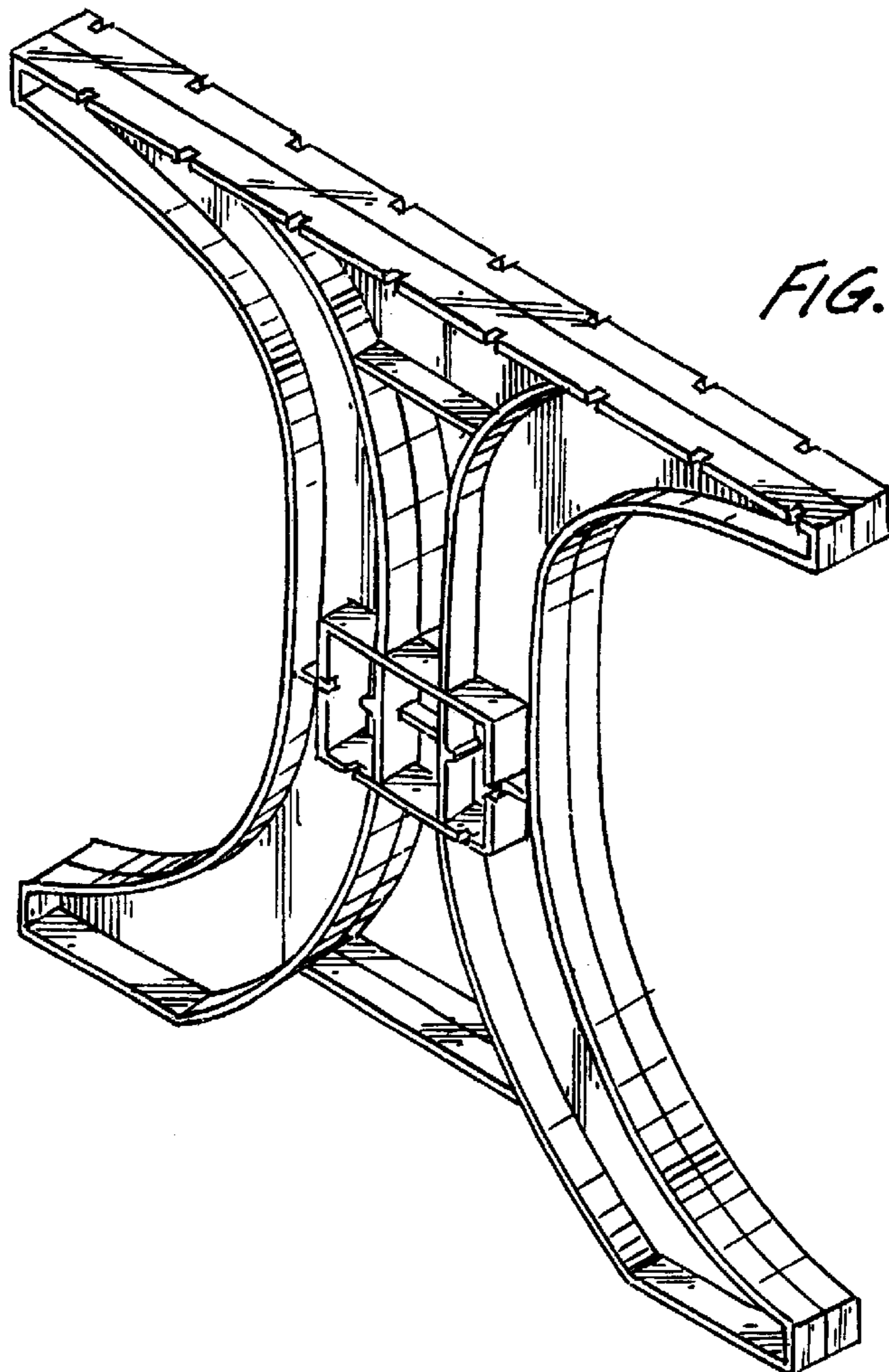


FIG. 3

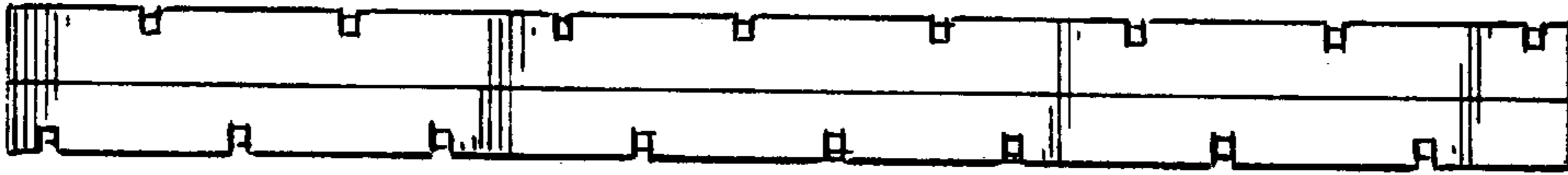


FIG. 2

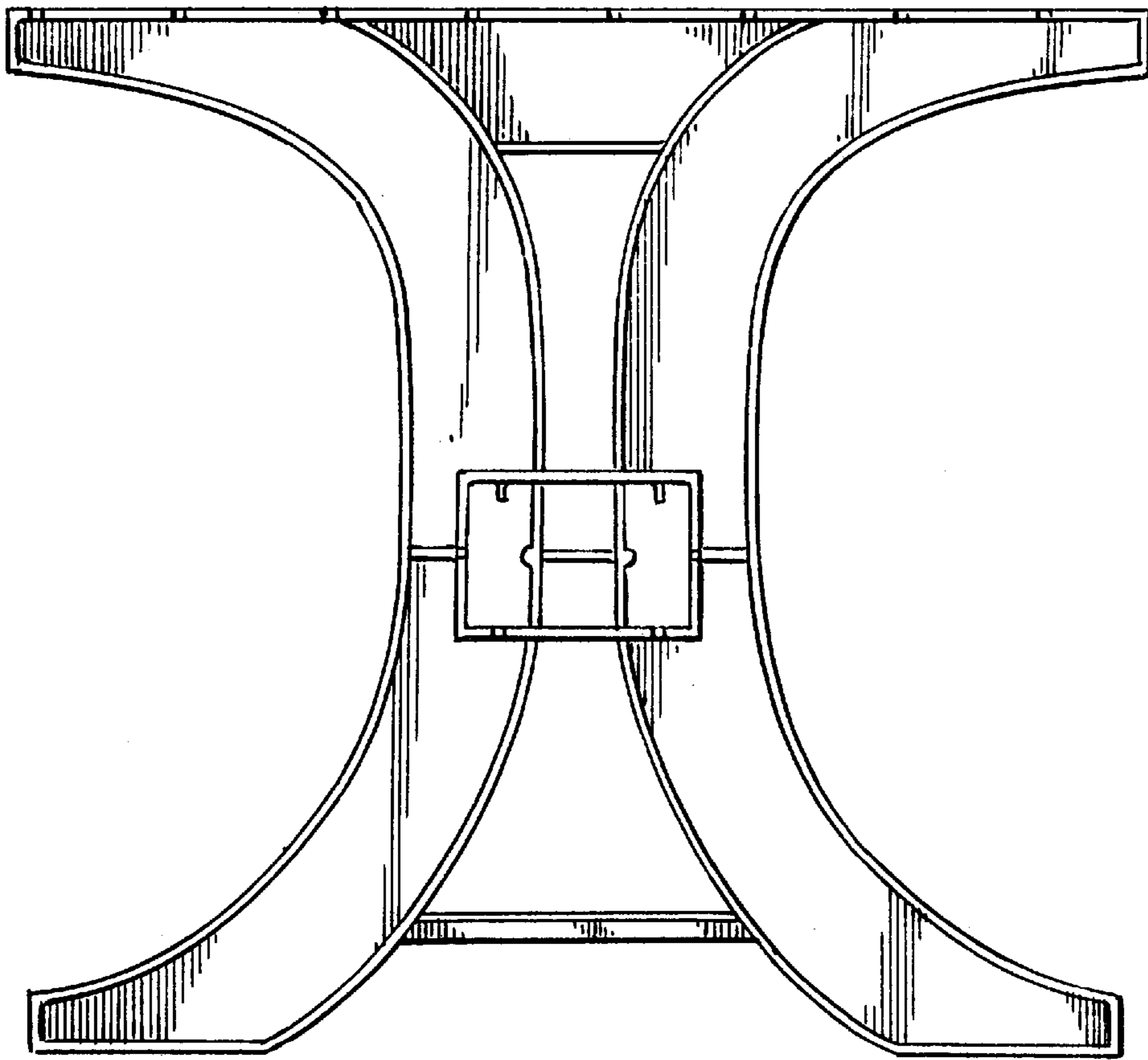


FIG. 4

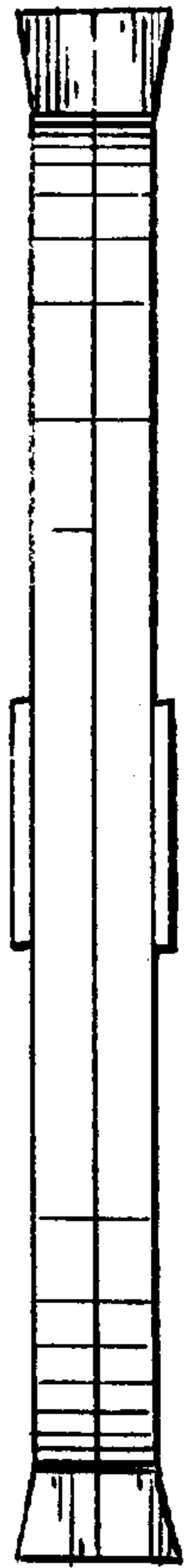


FIG. 5

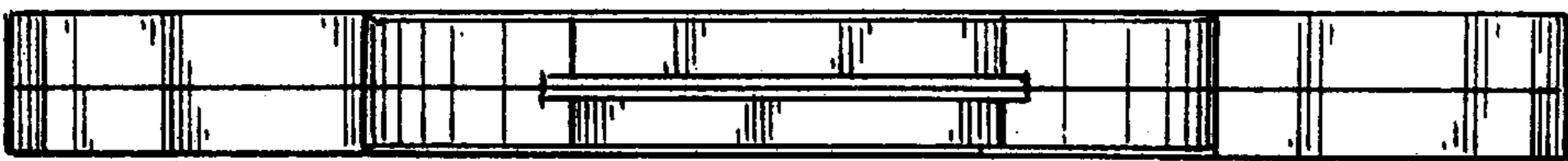


FIG. 7

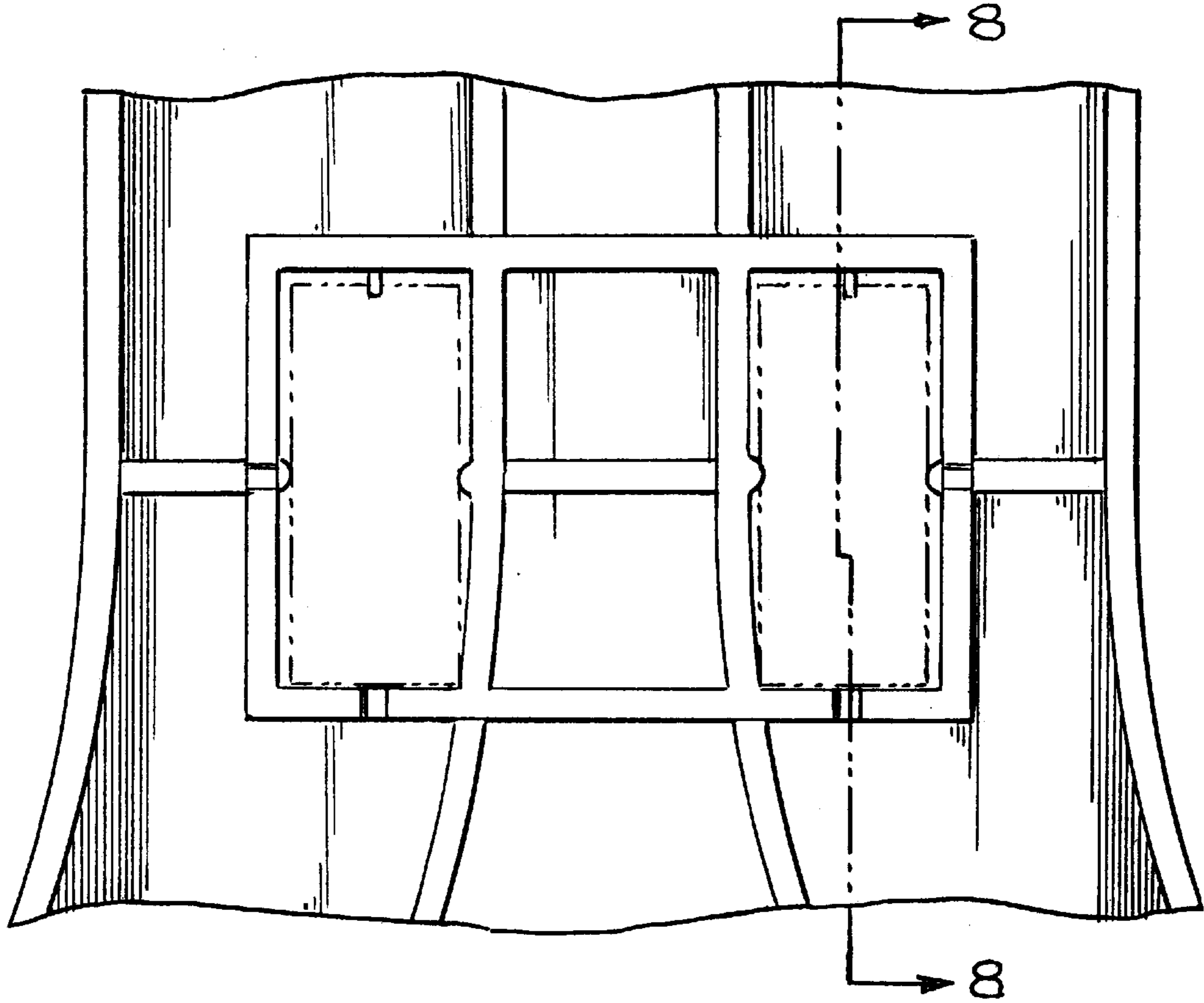


FIG. 8

