



US00D464216S

(12) **United States Design Patent**
Rone

(10) **Patent No.:** **US D464,216 S**

(45) **Date of Patent:** **** Oct. 15, 2002**

(54) **GOLF BALL DISPLAY CASE**

D397,894 S * 9/1998 Ballone D6/559

(75) Inventor: **Victor F. Rone**, Vineland, NJ (US)

* cited by examiner

(73) Assignee: **South Jersey Precision Tool & Mold, Inc.**, Vineland, NJ (US)

Primary Examiner—Cathron C. Brooks

(74) *Attorney, Agent, or Firm*—Norman E. Lehrer

(**) Term: **14 Years**

(57) **CLAIM**

(21) Appl. No.: **29/144,155**

The ornamental design for a “golf ball display case”, as shown and described.

(22) Filed: **Jun. 28, 2001**

DESCRIPTION

(51) **LOC (7) Cl.** **06-04**

(52) **U.S. Cl.** **D6/472**

(58) **Field of Search** D6/449, 455, 457,
D6/466, 470, 471, 472, 475; 312/107, 114,
117, 138.1, 204, 234

FIG. 1 is a front top perspective view of a “golf ball display case” showing my new design;

FIG. 2 is a front elevational view thereof, the rear and side elevational views being identical thereto;

FIG. 3 is a top plan view thereof;

FIG. 4 is a bottom plan view thereof;

FIG. 5 is a bottom perspective view thereof showing a golf ball being displayed therein; and,

FIG. 6 is a perspective view showing a golf ball displayed therein.

(56) **References Cited**

U.S. PATENT DOCUMENTS

D237,431 S	*	11/1975	Dean	D6/472
D348,378 S	*	7/1994	Crane	D7/610
D370,372 S	*	6/1996	Kraft	D6/470
D378,057 S	*	2/1997	Dikowitz	D9/418
D391,100 S	*	2/1998	Hawkersmith	D6/472

The broken line showing of a golf ball is for environmental purposes only and forms no part of the claimed design.

1 Claim, 2 Drawing Sheets

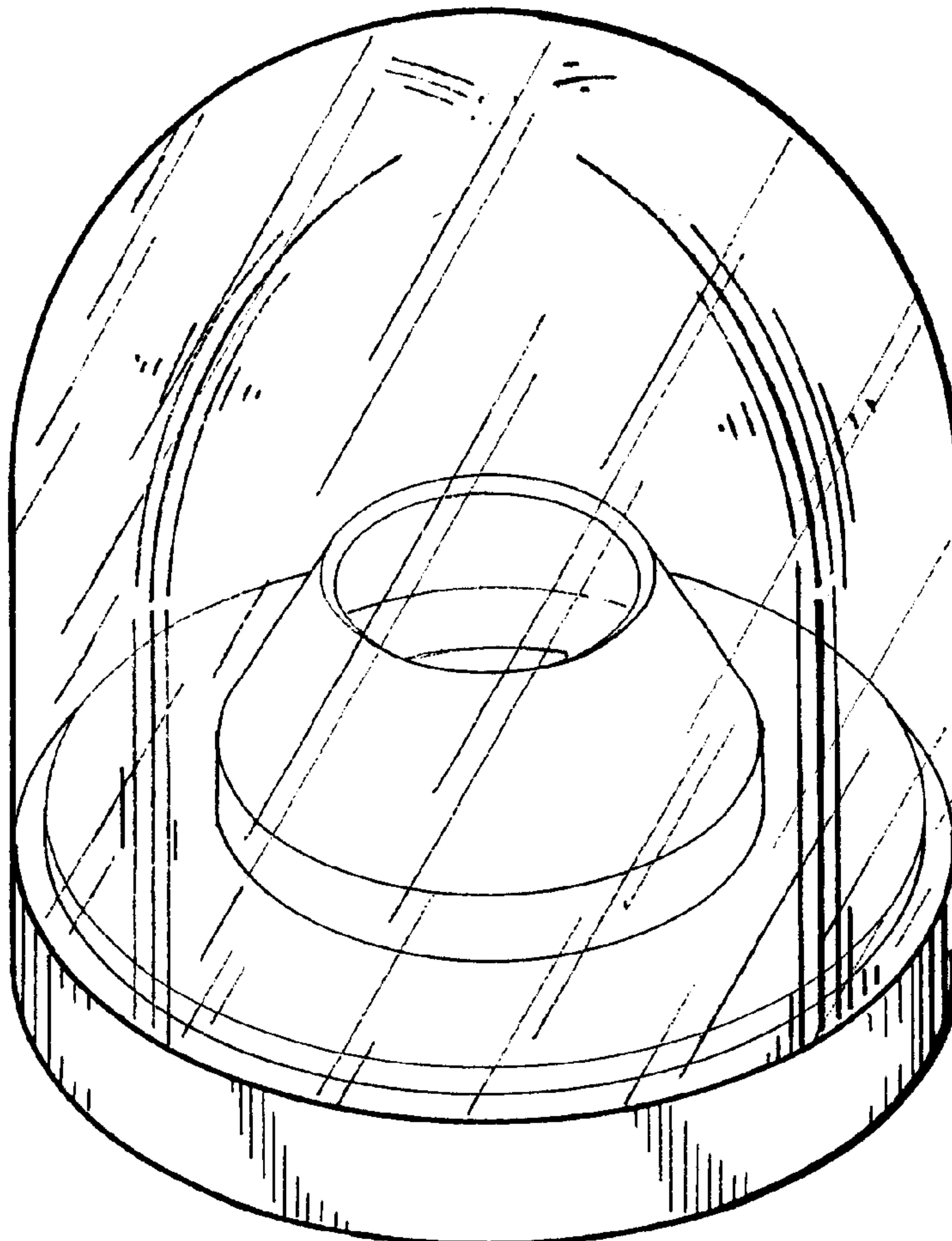


Fig. 1

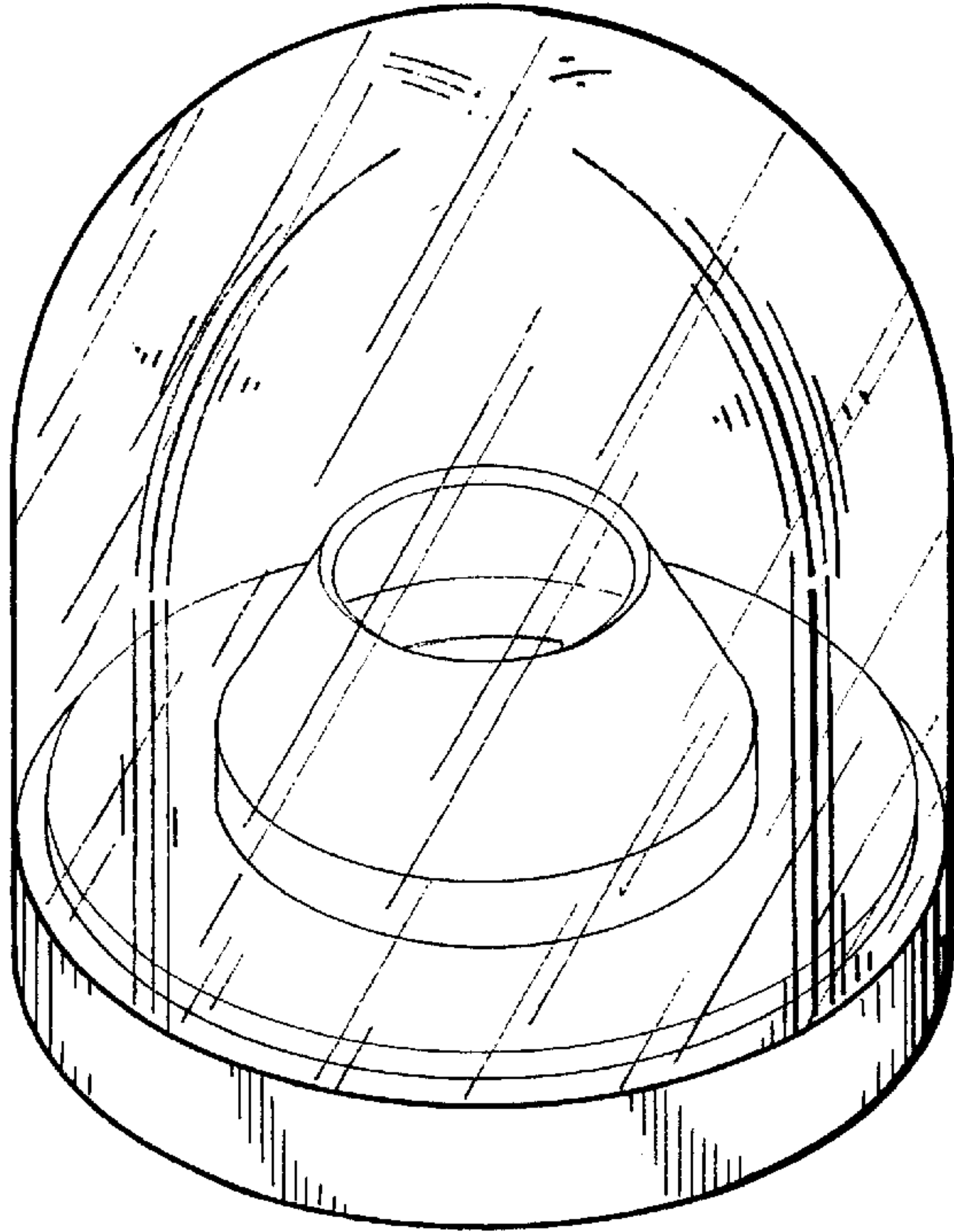


Fig. 2

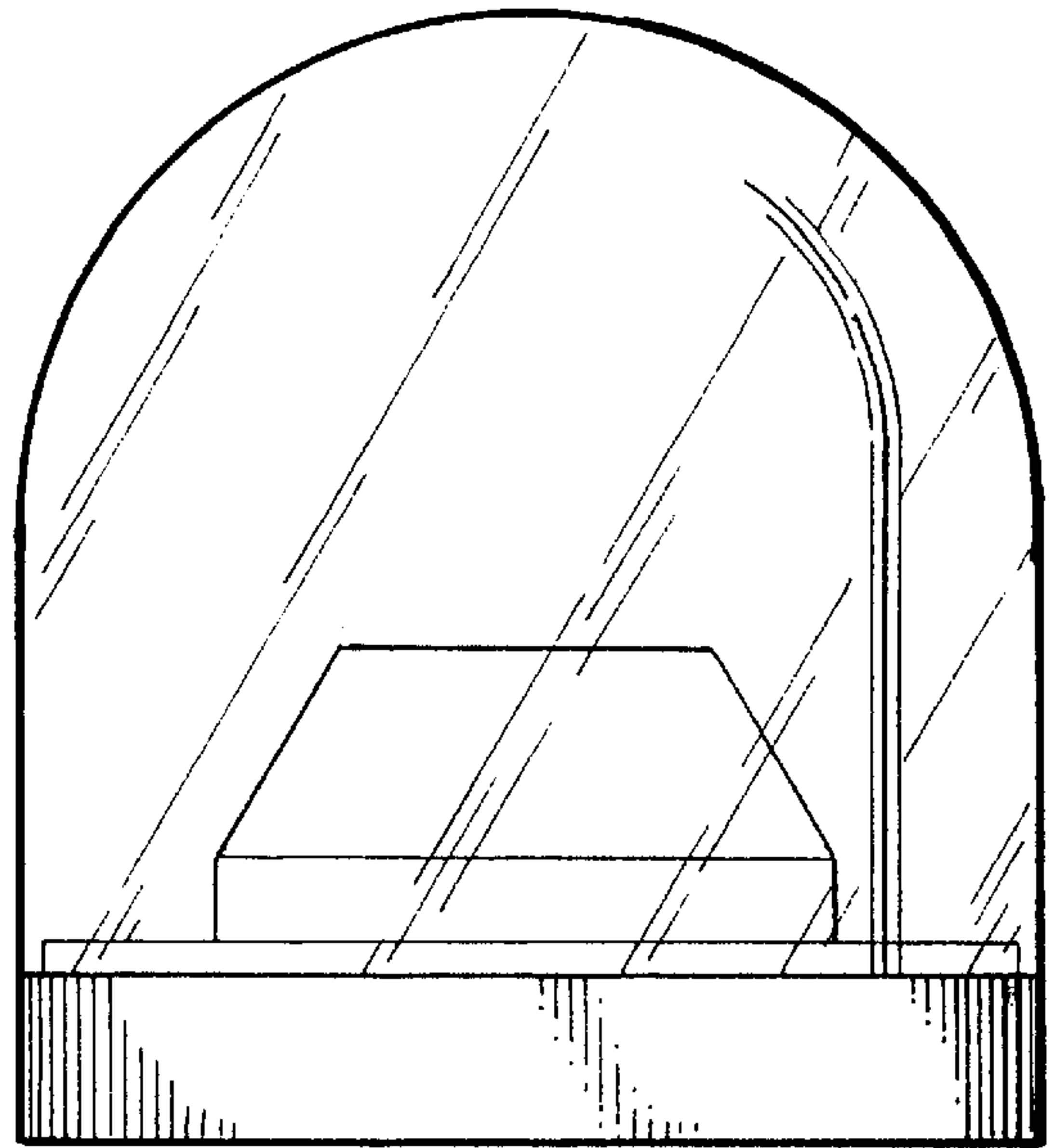


Fig. 3

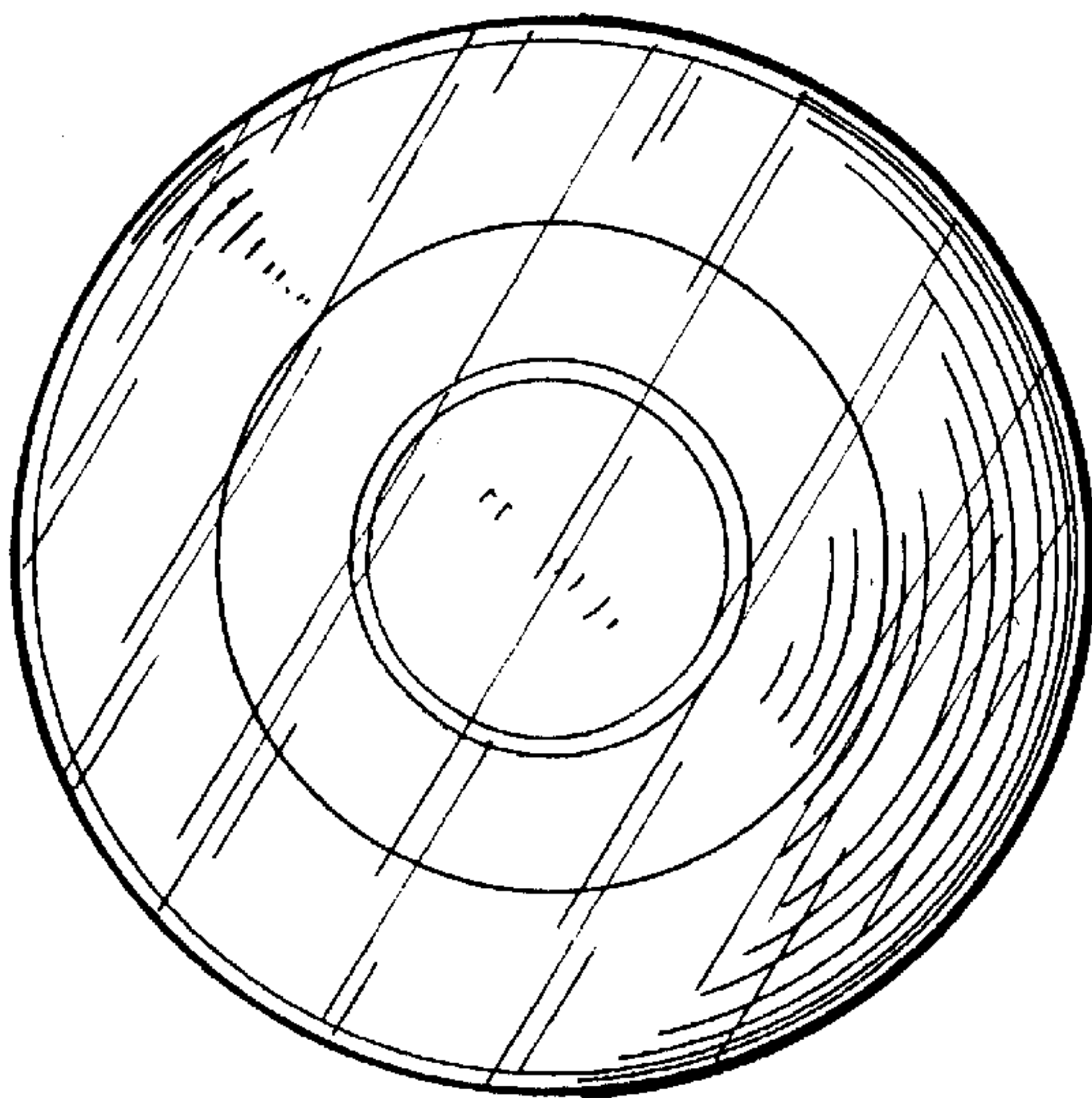


Fig. 4

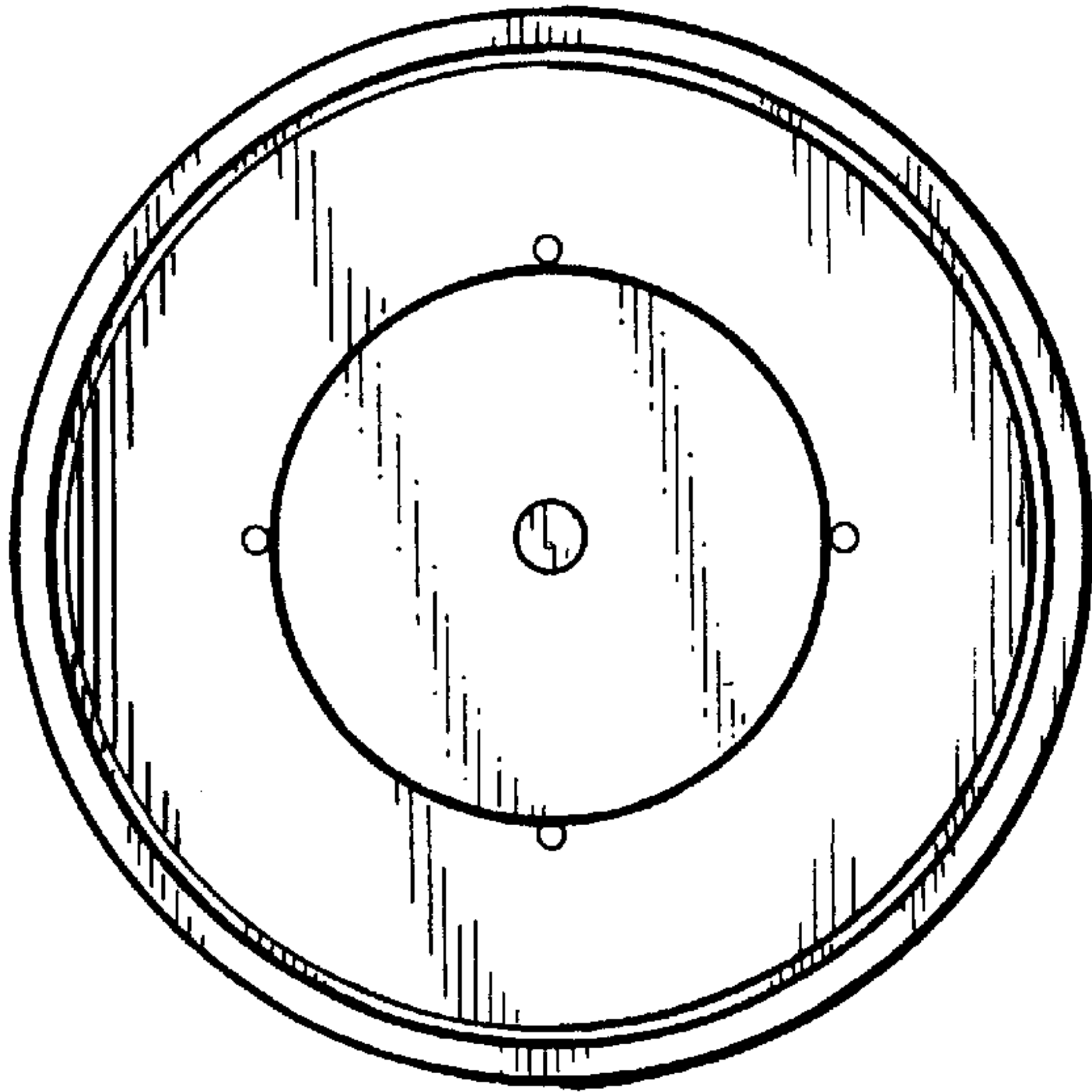


Fig. 5

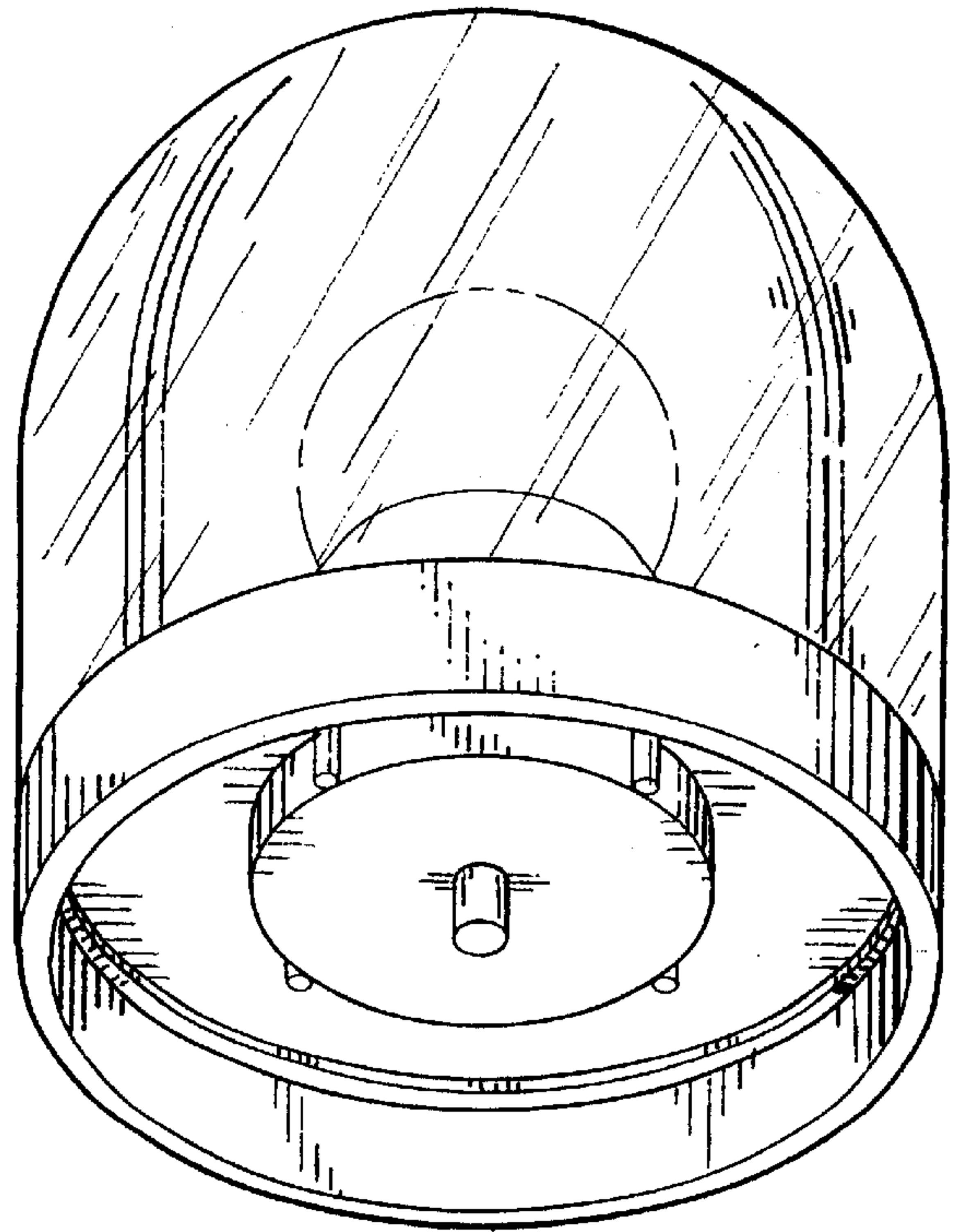


Fig. 6

