



US00D464211S

(12) **United States Design Patent**
Chan

(10) **Patent No.:** **US D464,211 S**

(45) **Date of Patent:** **** Oct. 15, 2002**

(54) **BILL PAYER'S DESK**

D231,966 S * 7/1974 Landau D6/422

(76) Inventor: **Alex Chan**, 22 El Camino Moraga,
Orinda, CA (US) 94563

* cited by examiner

Primary Examiner—Janice E. Seeger

(**) Term: **14 Years**

(57) **CLAIM**

(21) Appl. No.: **29/143,328**

The ornamental design for a bill payer's desk, as shown and described.

(22) Filed: **Jun. 11, 2001**

DESCRIPTION

(51) **LOC (7) Cl.** **06-04**

(52) **U.S. Cl.** **D6/425; D6/426**

(58) **Field of Search** D6/422-428, 495,
D6/474, 477, 479; 312/194-196, 208.1;
108/50.01, 50.02, 92, 59

FIG. 1 is a front perspective view showing the desk in a closed position.

FIG. 2 is a front perspective view showing the desk with the horizontal writing surface extended; and,

FIG. 3 is a rear perspective view showing the desk with the horizontal writing surface extended.

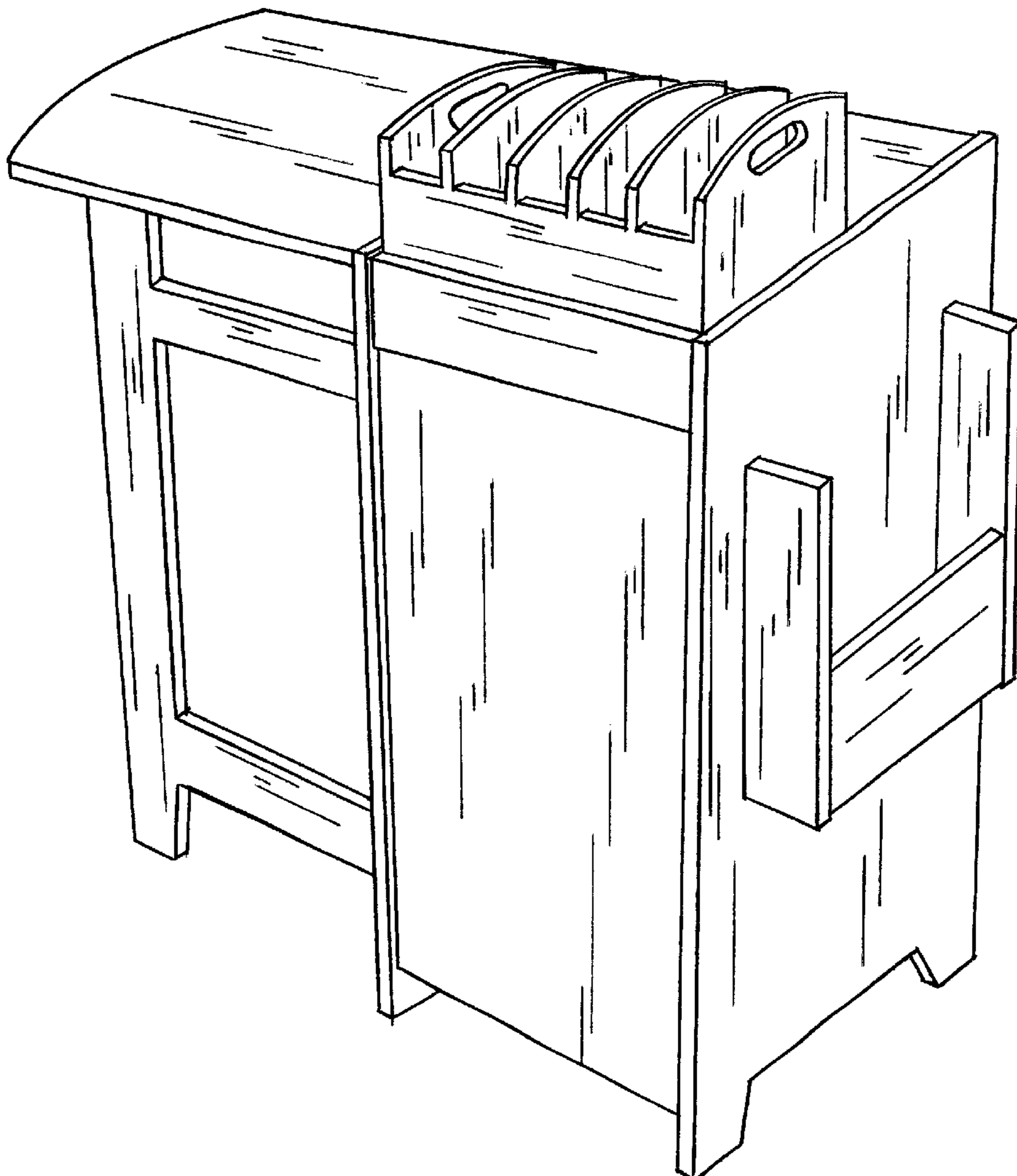
(56) **References Cited**

The desk in which the design is embodied is intended to provide easily accessible file drawers, a writing surface, a magazine bin, storage accommodations and a letter carrier.

U.S. PATENT DOCUMENTS

- D133,525 S * 8/1942 Bargaen D6/425
- D142,121 S * 8/1945 Ristenpart D6/422
- D201,137 S * 5/1965 Glover D6/422

1 Claim, 3 Drawing Sheets



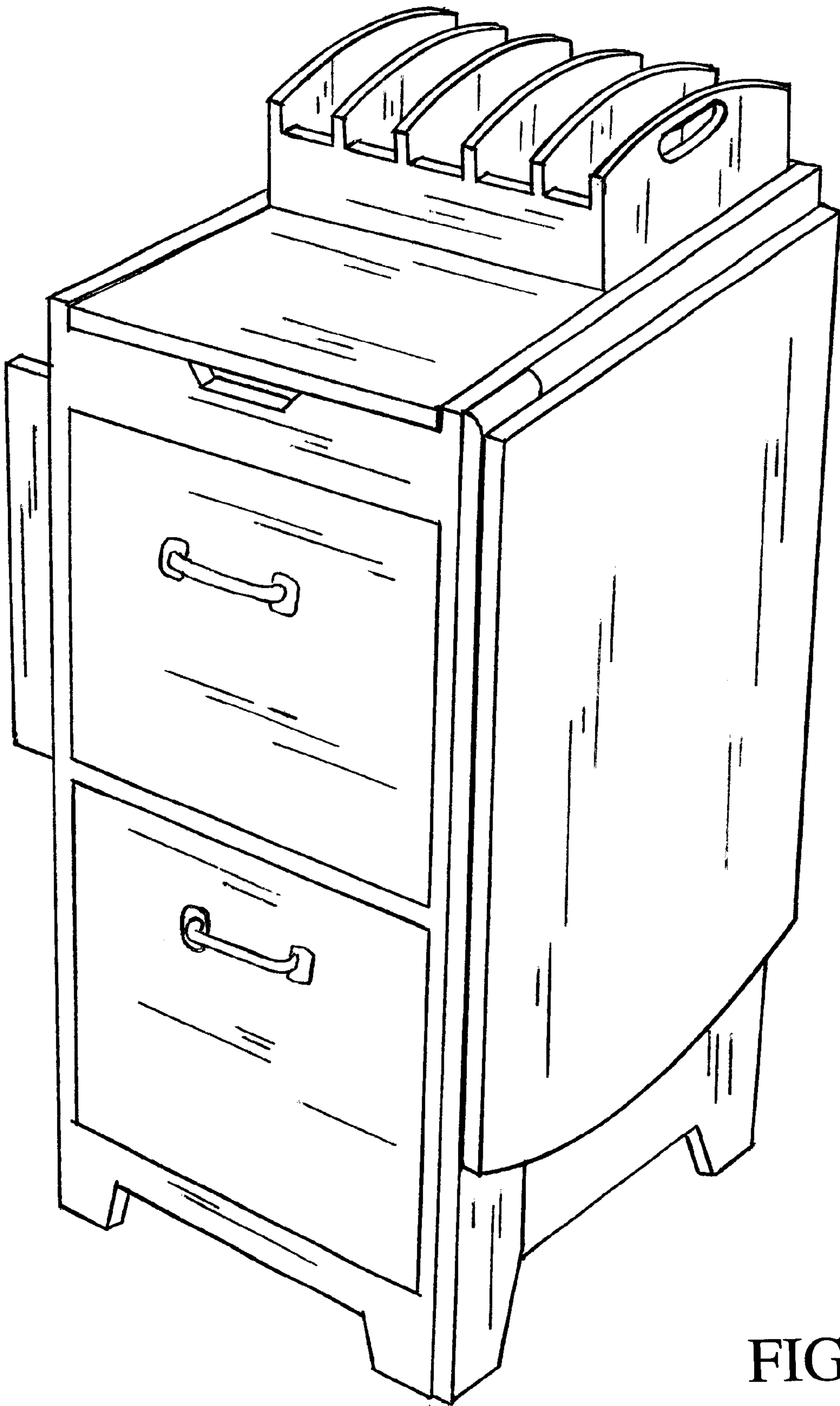


FIG. 1

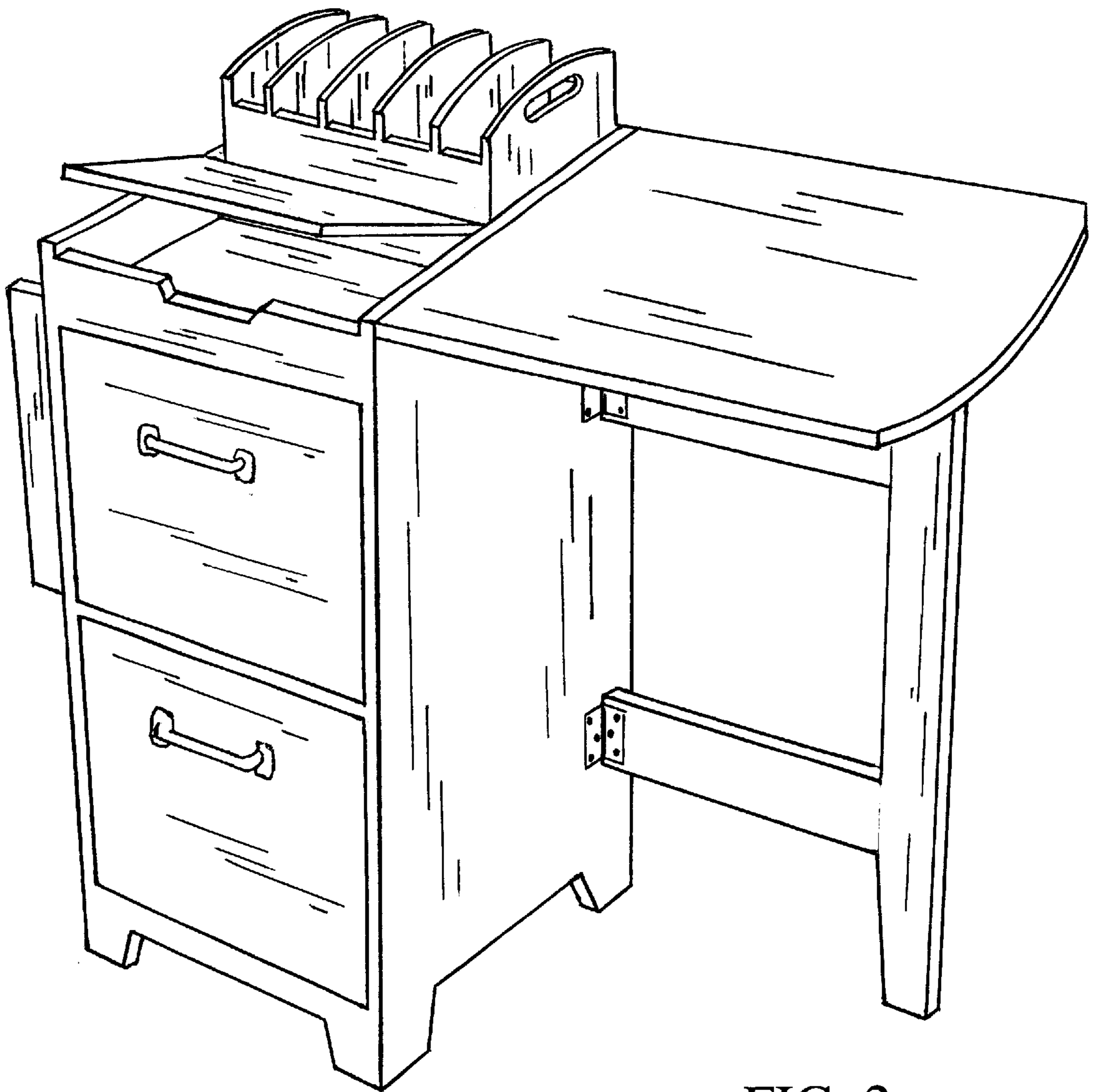


FIG. 2

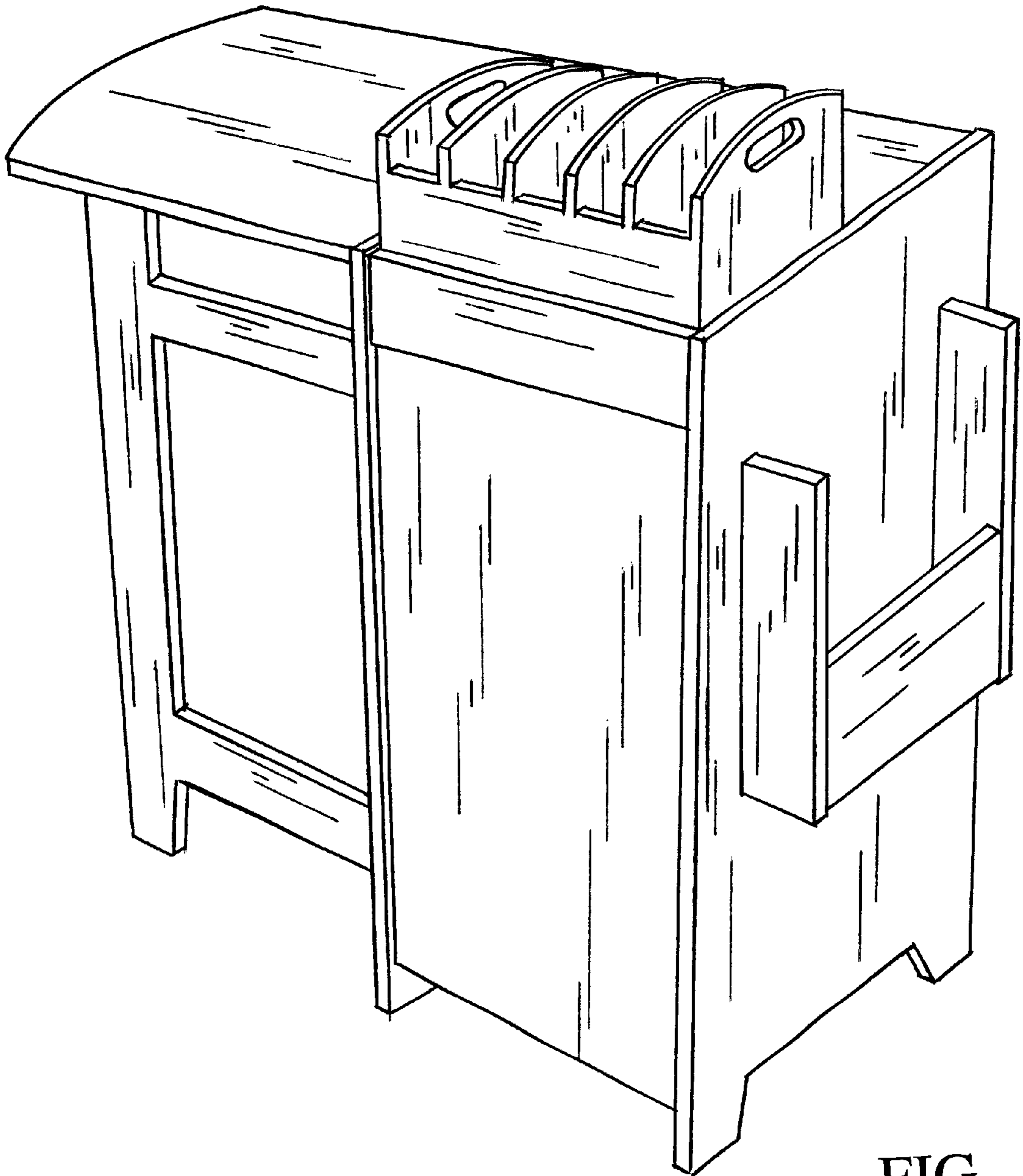


FIG. 3