



US00D464209S

(12) **United States Design Patent**
Piretti

(10) **Patent No.:** **US D464,209 S**

(45) **Date of Patent:** **** Oct. 15, 2002**

(54) **LOW DENSITY STACK CHAIR**

FOREIGN PATENT DOCUMENTS

(75) Inventor: **Giancarlo Piretti**, Bologna (IT)

XH DM/047 847 7/1998

(73) Assignee: **Krueger International, Inc.**, Green Bay, WI (US)

OTHER PUBLICATIONS

(**) Term: **14 Years**

“VERSA” Brochure CN-02050/PP, Krueger International, Inc. 1330 Bellevue Street, Green Bay, WI 54308-8100, 1990.

(21) Appl. No.: **29/149,699**

SIDI 2000 Spain, p. 64.

(22) Filed: **Oct. 15, 2001**

Primary Examiner—Doris V. Coles

Assistant Examiner—Elizabeth A. Albert

(74) *Attorney, Agent, or Firm*—Boyle, Fredrickson, Newholm, Stein & Gratz, S.C.

Related U.S. Application Data

(62) Division of application No. 29/124,676, filed on Jun. 9, 2000.

(57) **CLAIM**

The ornamental design for a low density stack chair, as shown and described.

(51) **LOC (7) Cl.** **06-01**

(52) **U.S. Cl.** **D6/380**

DESCRIPTION

(58) **Field of Search** D6/334, 335, 348, D6/360, 366, 368, 369, 370, 373, 374, 375, 376, 379, 380, 381, 499, 500, 501, 502; 297/232, 445.1, 446.1, 448.1, 452.46, 452.63, 452.64

FIG. 1 is an isometric view illustrating a first embodiment of a low density stack chair with arms incorporating my new design;

FIG. 2 is a front elevation view thereof;

FIG. 3 is a left side elevation view thereof, the right side elevation view being a mirror image;

FIG. 4 is a rear elevation view thereof;

FIG. 5 is a top plan view thereof;

FIG. 6 is the second embodiment of the low density stack chair without arms;

FIG. 7 is a front elevation view thereof;

FIG. 8 is a left side elevation view thereof, the right side elevation view being a mirror image;

FIG. 9 is a rear elevation view thereof; and,

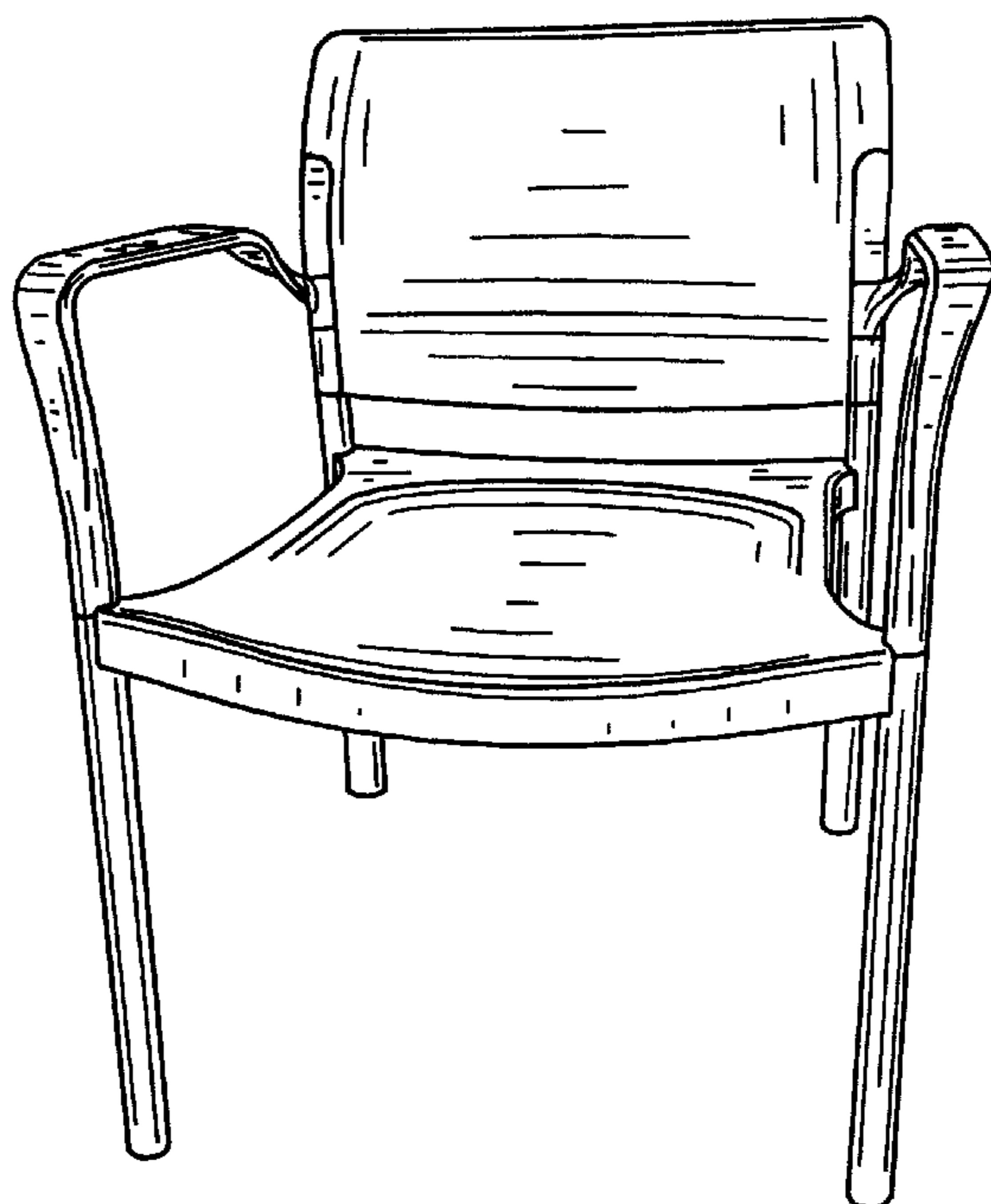
FIG. 10 is a top plan view thereof.

(56) **References Cited**

U.S. PATENT DOCUMENTS

- D152,895 S 3/1949 Lubberts et al.
- D189,293 S 11/1960 Pettitt
- 3,343,870 A 9/1967 Thatcher et al.
- D253,208 S 10/1979 Claman
- D308,143 S 5/1990 Lohmeyer
- D318,185 S 7/1991 Zagaroli et al.
- D339,006 S 9/1993 Schneider
- D360,083 S 7/1995 Lohmeyer
- D414,953 S 10/1999 Goetz

1 Claim, 6 Drawing Sheets



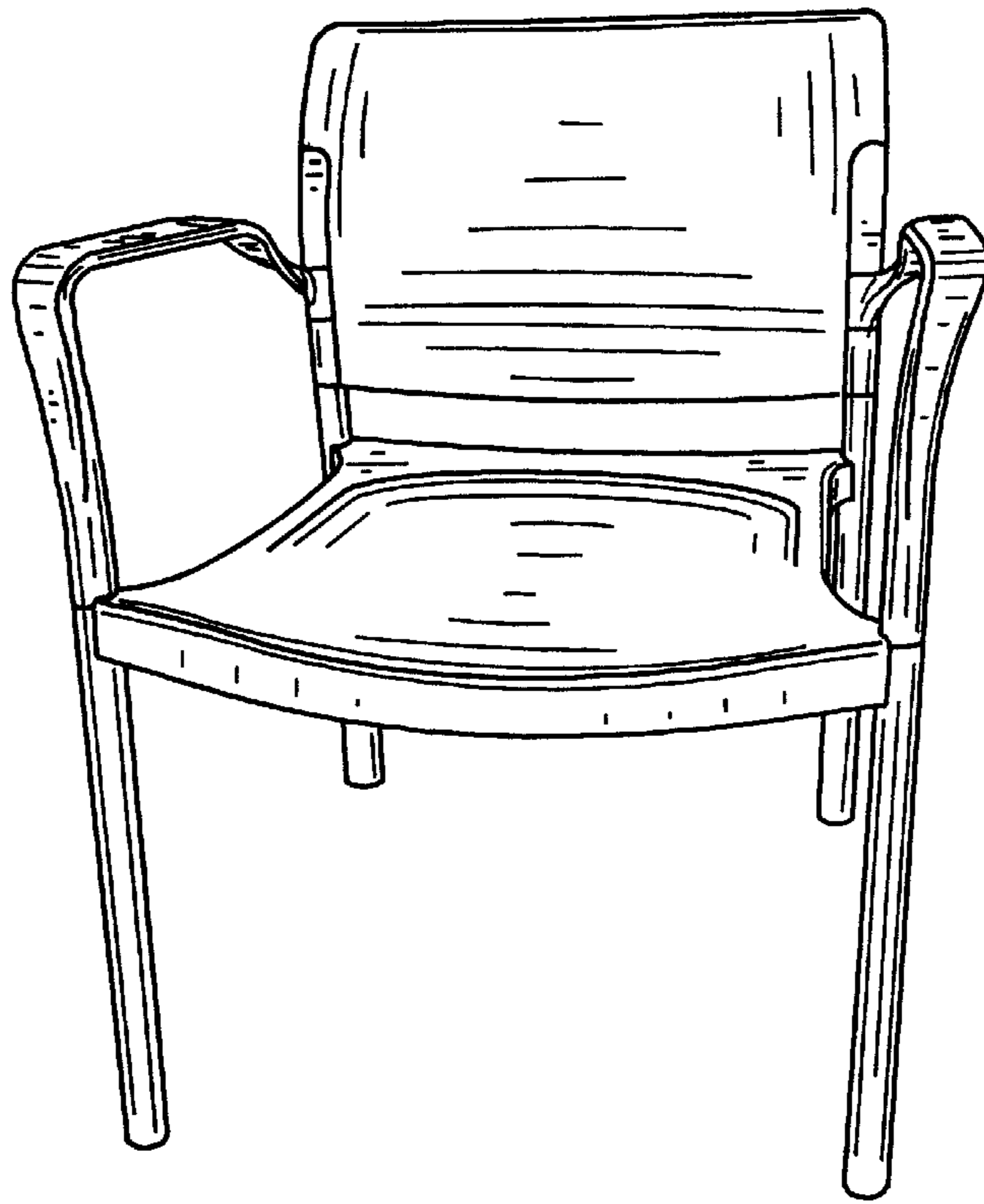


FIG. 1

FIG. 2

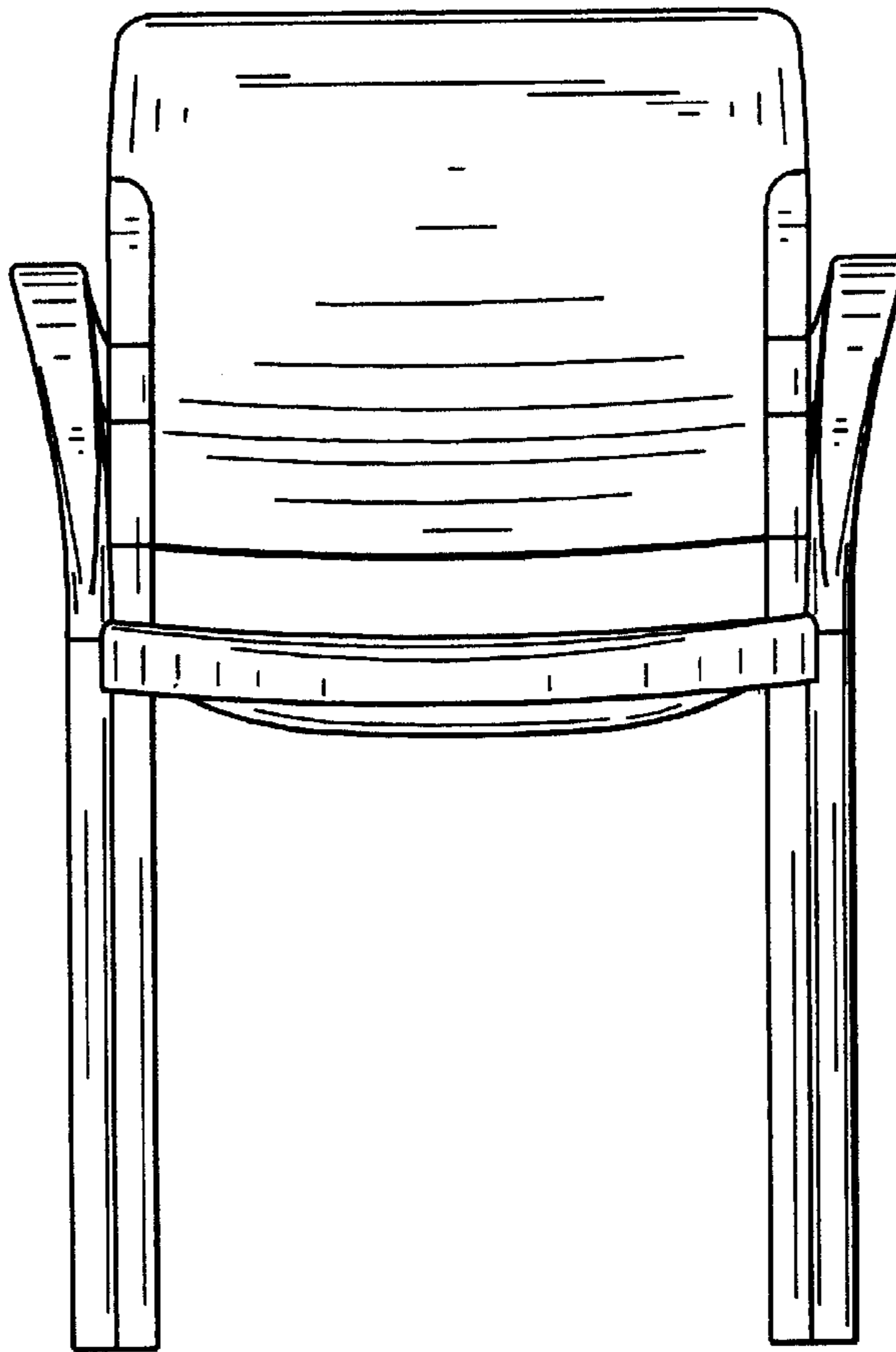
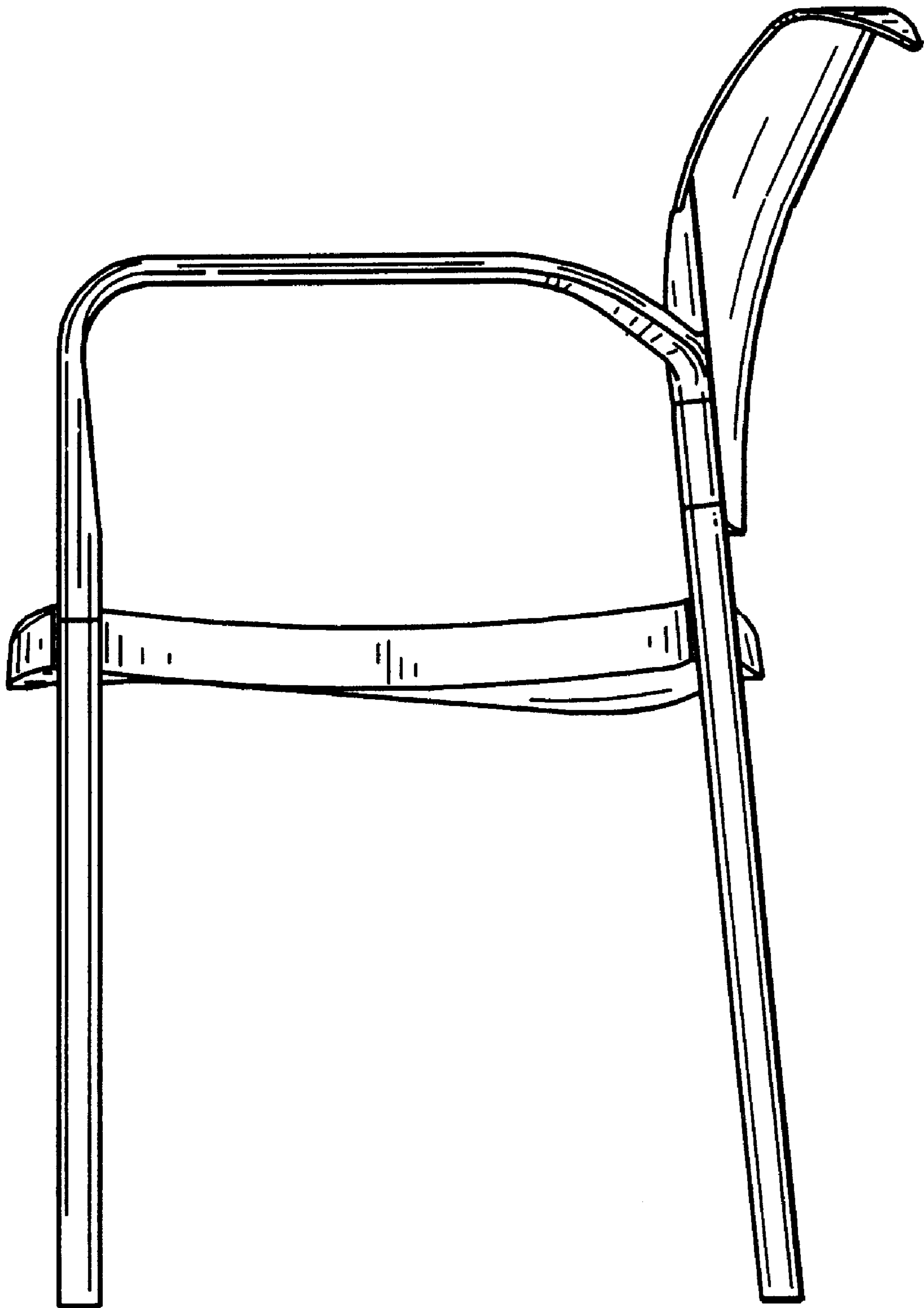


FIG. 3



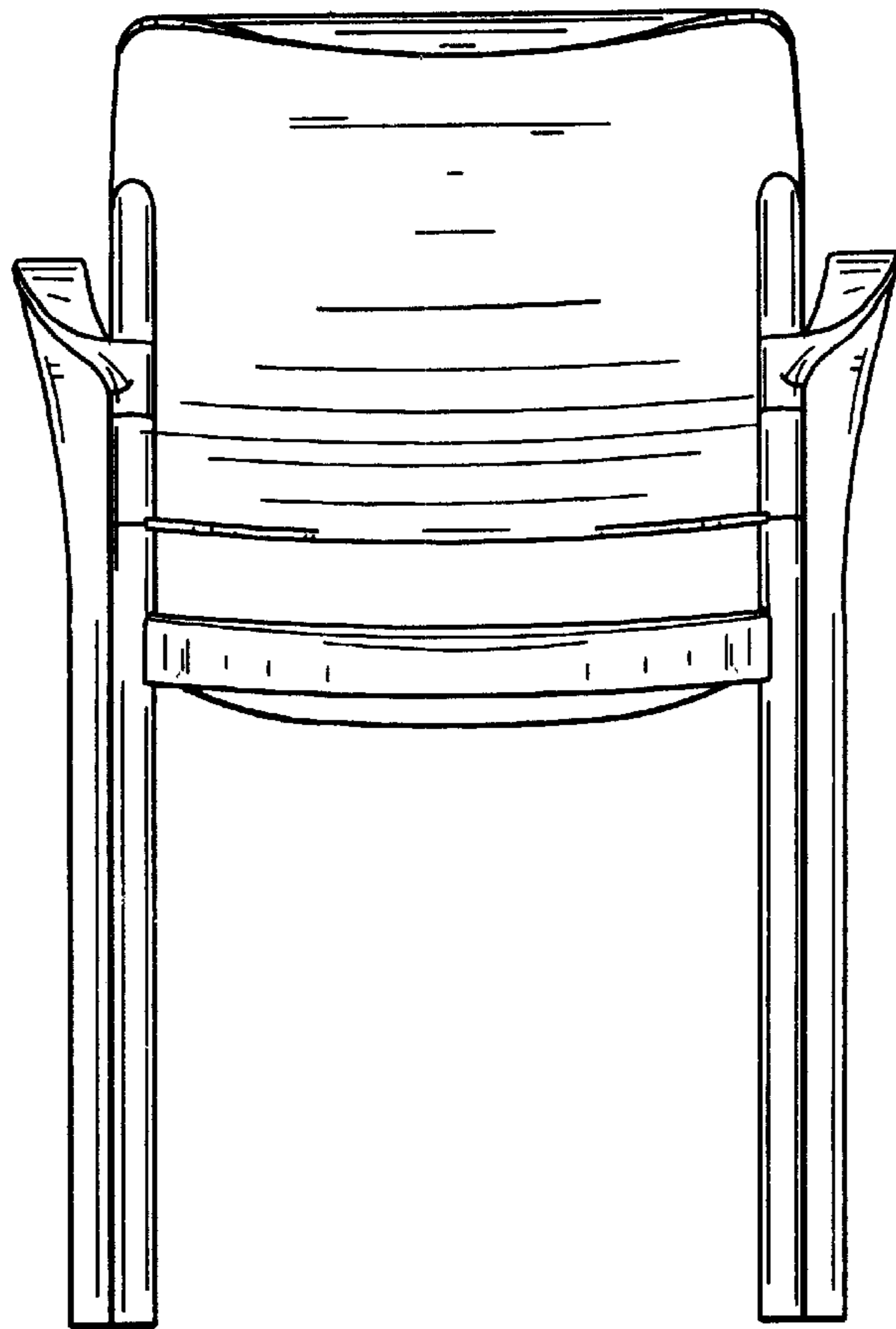
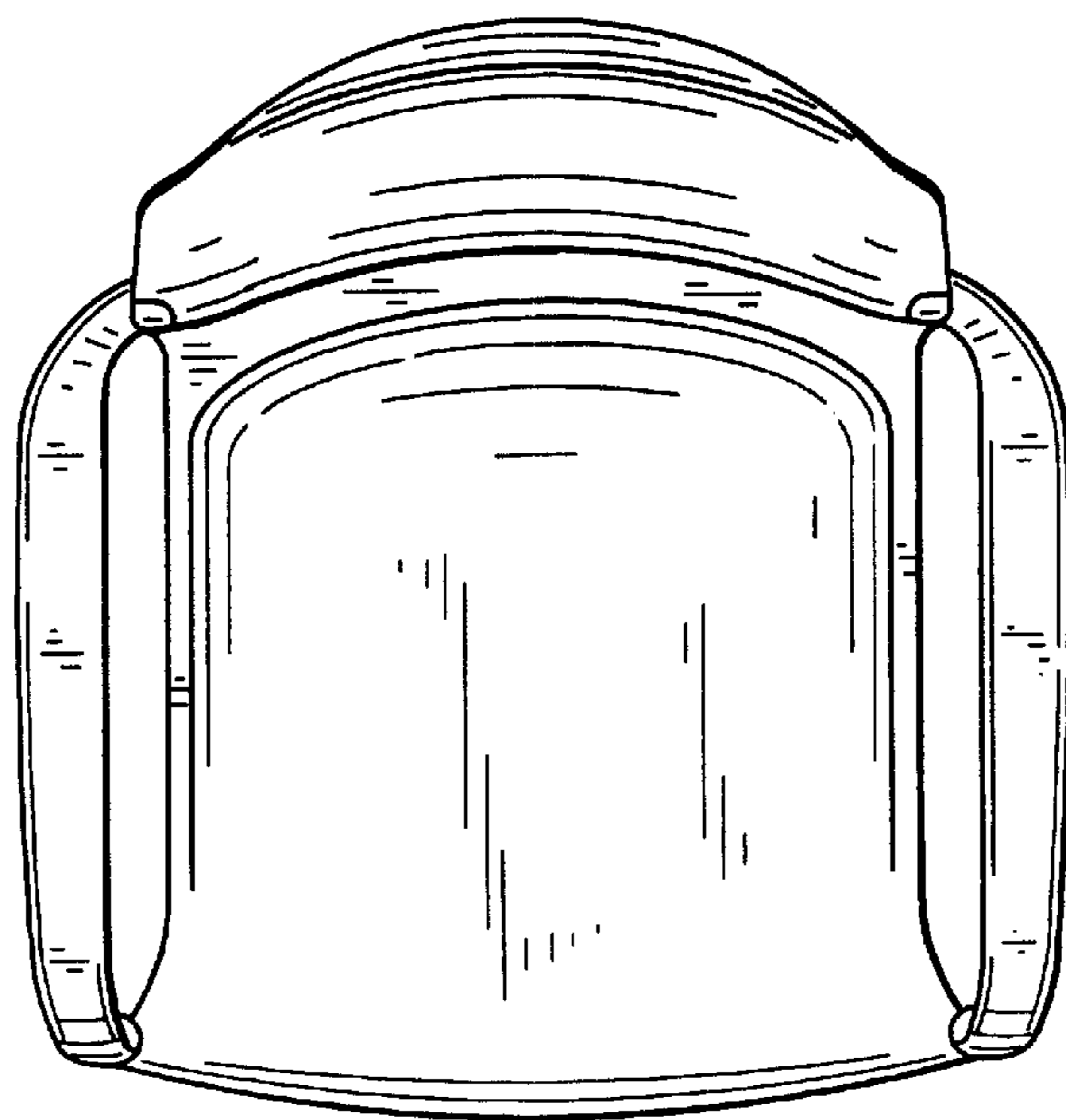


FIG. 4

FIG. 5



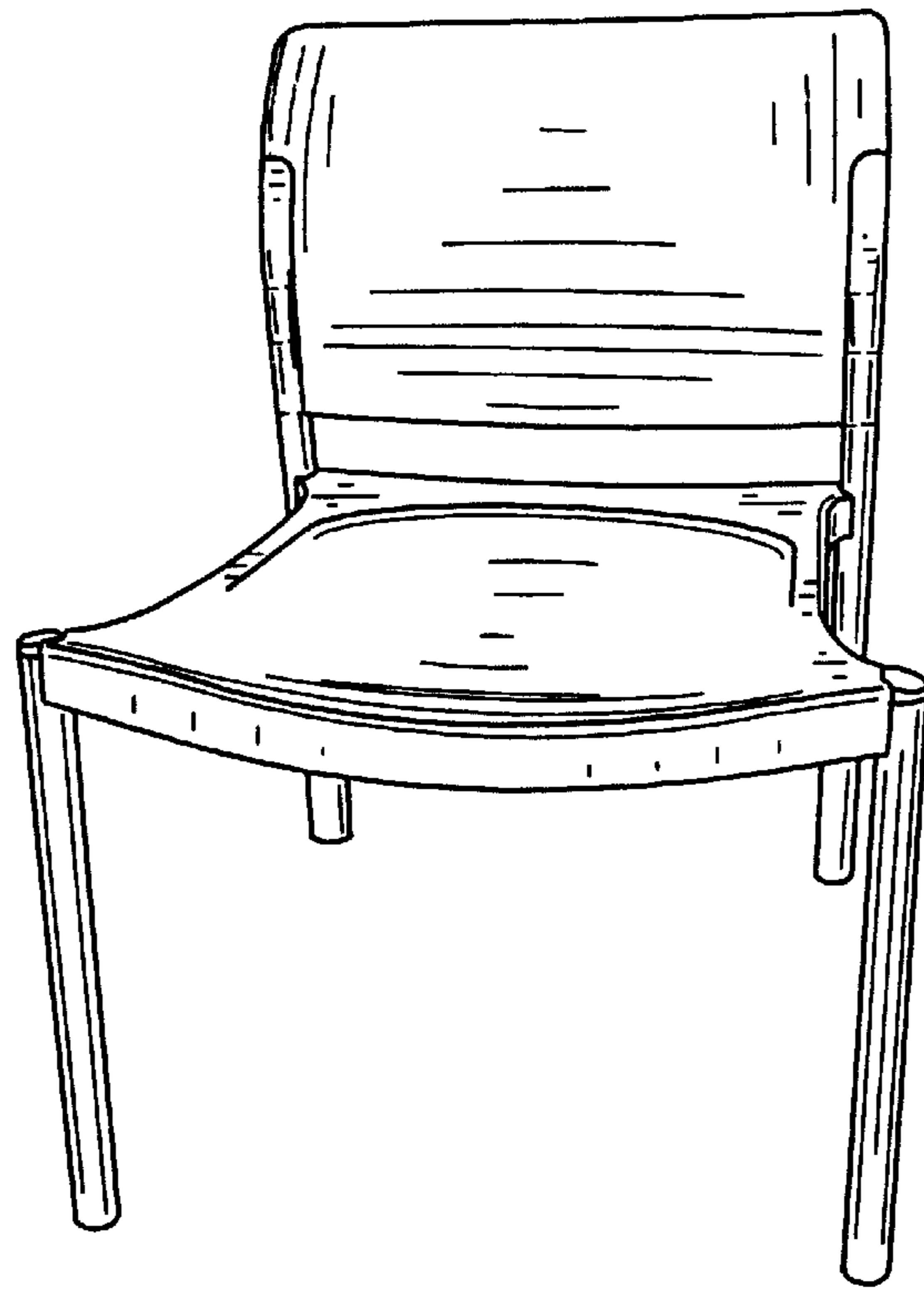


FIG. 6

FIG. 7

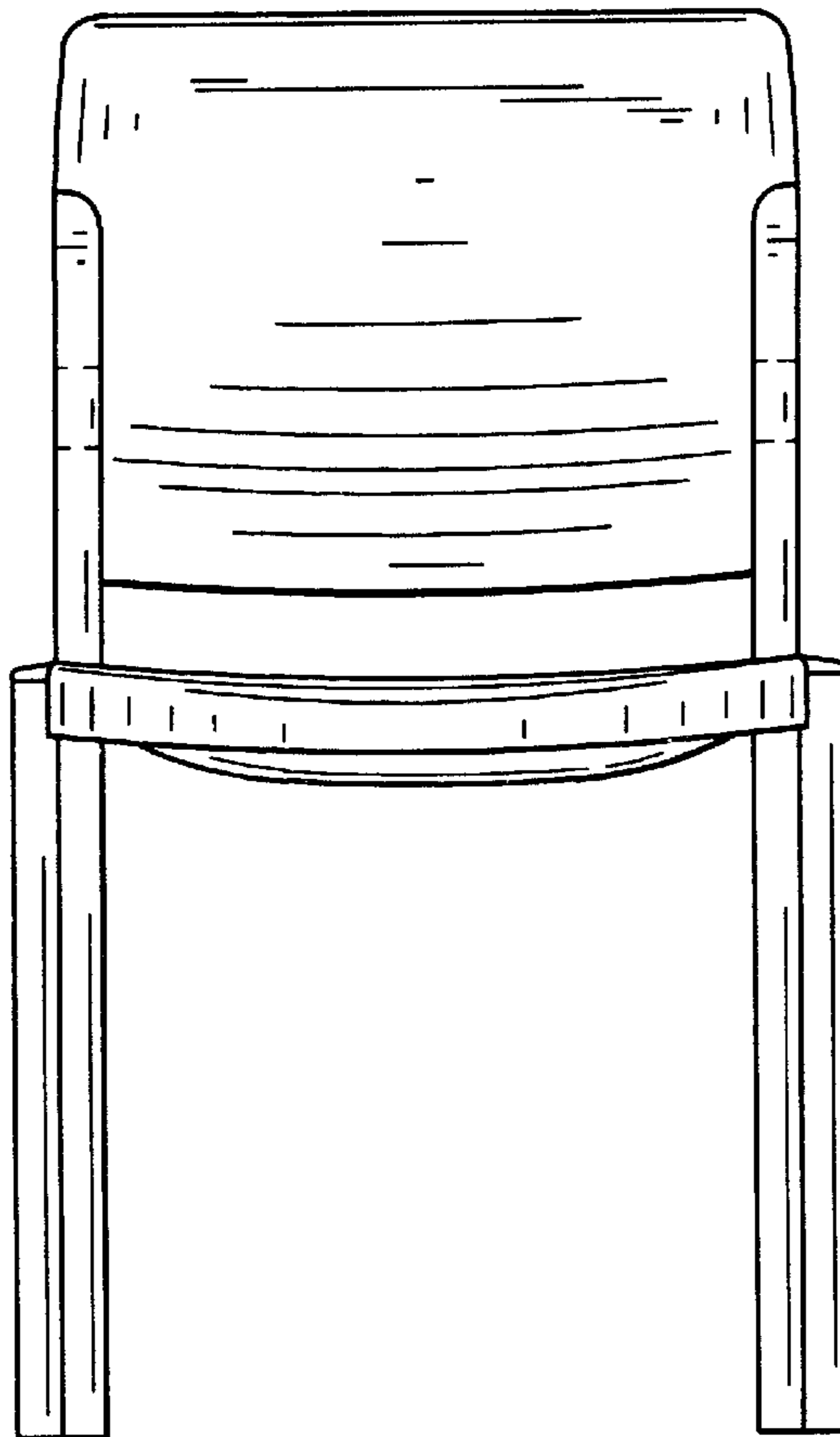
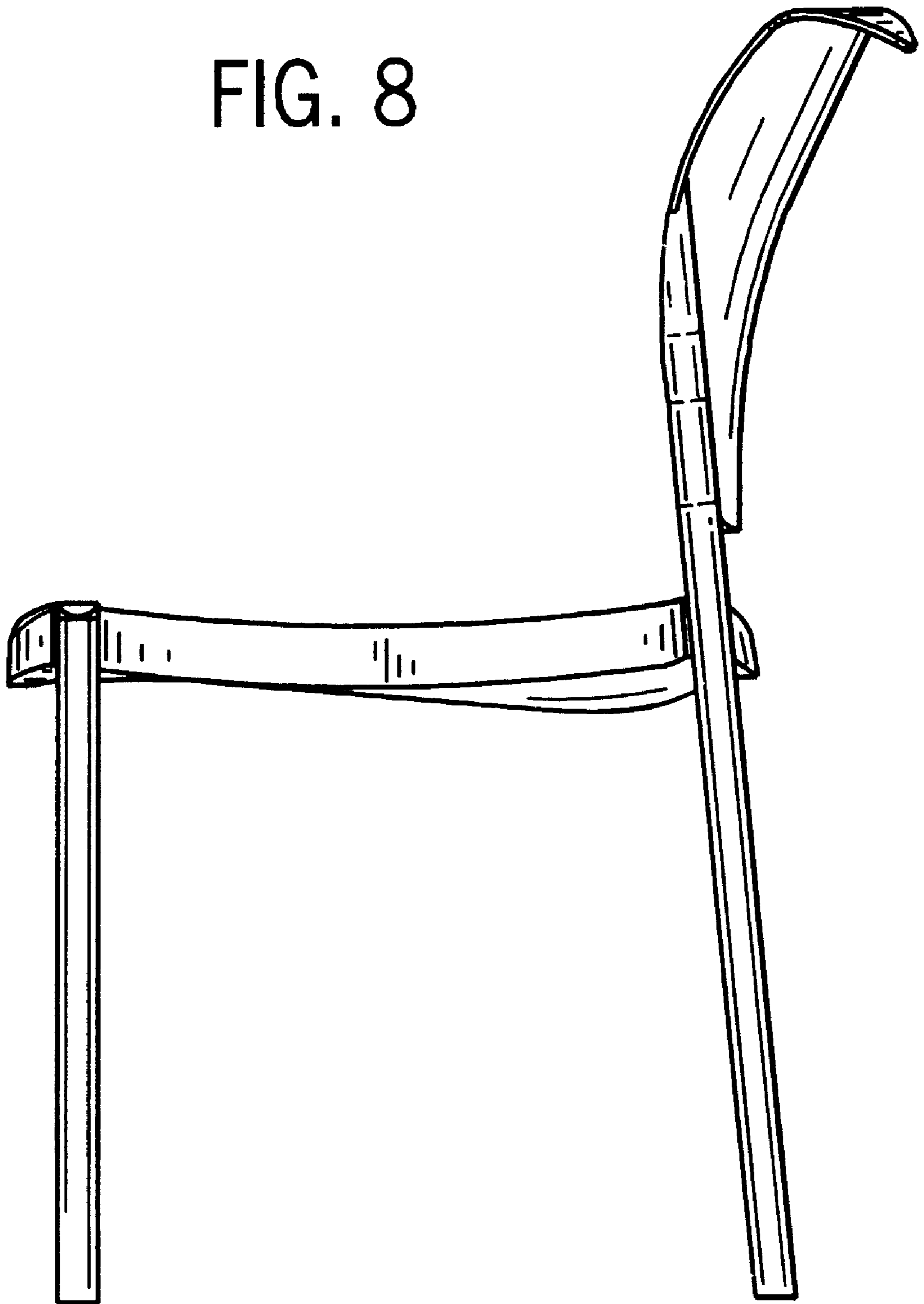


FIG. 8



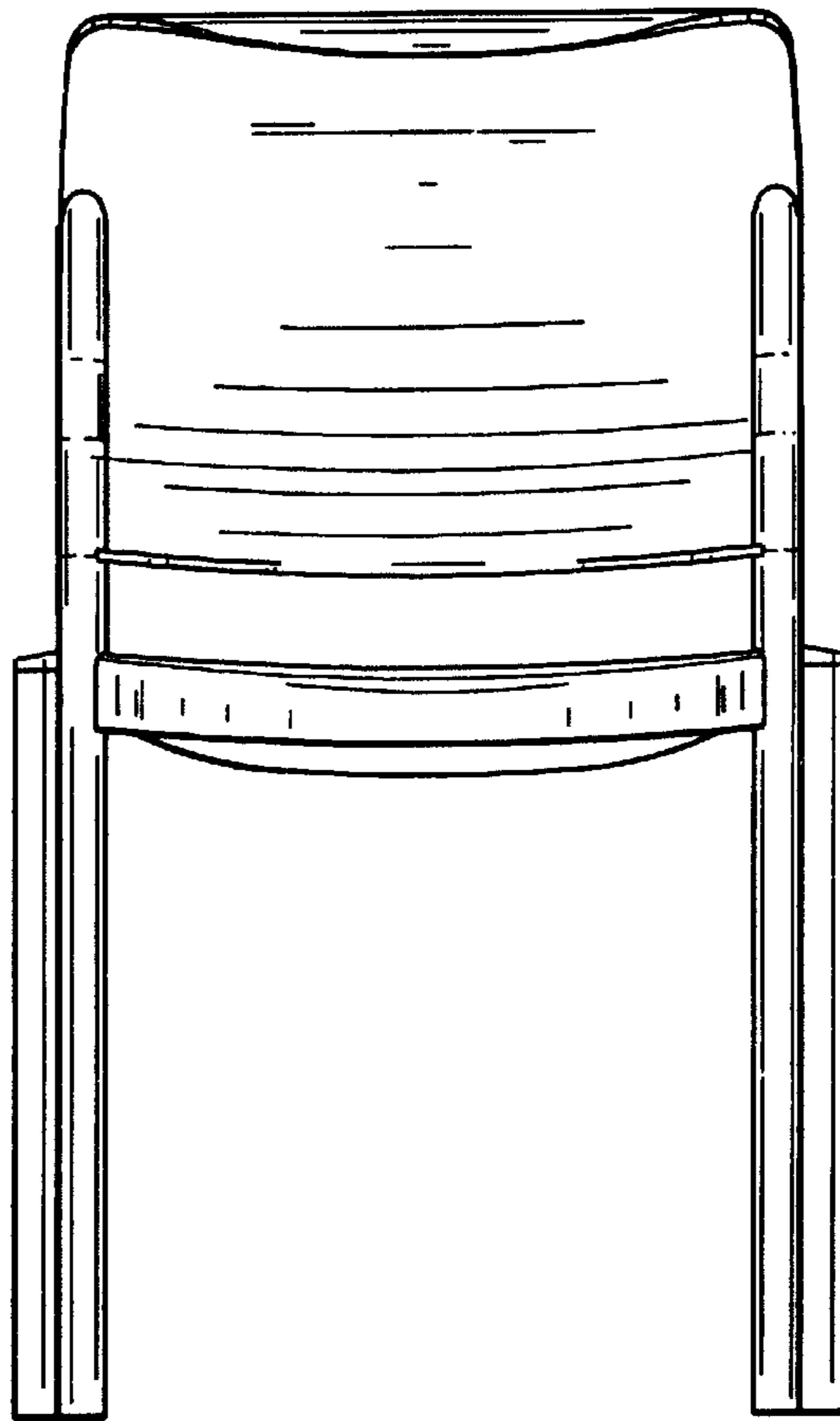
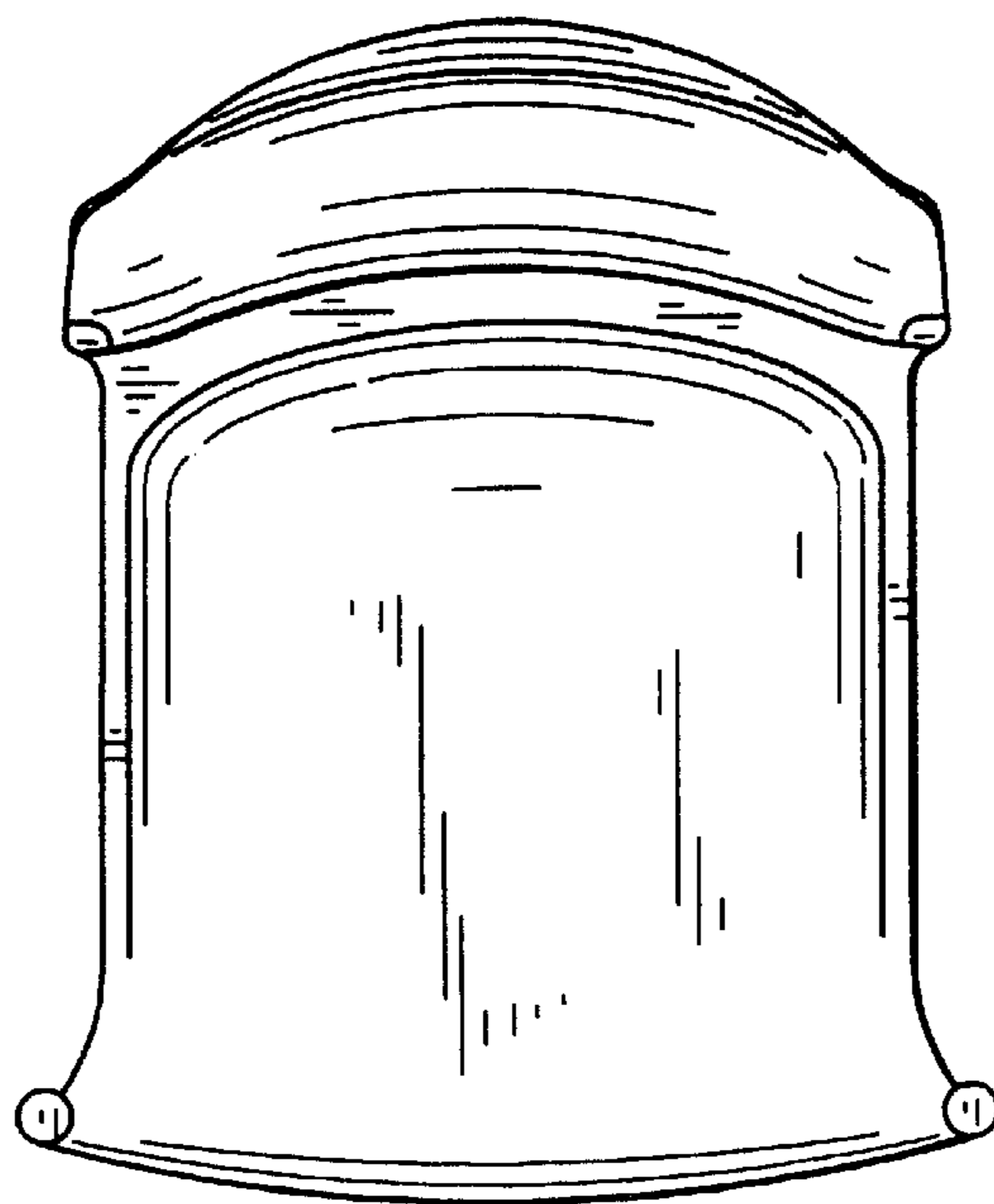


FIG. 9

FIG. 10



UNITED STATES PATENT AND TRADEMARK OFFICE
CERTIFICATE OF CORRECTION

PATENT NO. : Des. 464,209 S
DATED : October 15, 2002
INVENTOR(S) : Giancarlo Piretti

Page 1 of 1

It is certified that error appears in the above-identified patent and that said Letters Patent is hereby corrected as shown below:

Title page,

Item [73], Assignee, please delete “**Krueger International, Inc.**, Green Bay, WI (US)” and substitute therefore -- **Pro-Cord S.r.l.**, Bologna, Italy --

Signed and Sealed this

Twenty-seventh Day of May, 2003

A handwritten signature in black ink, appearing to read "James E. Rogan", written over a horizontal line.

JAMES E. ROGAN
Director of the United States Patent and Trademark Office