



US00D464208S

(12) **United States Design Patent**
Kwon

(10) **Patent No.:** **US D464,208 S**

(45) **Date of Patent:** **** Oct. 15, 2002**

(54) **SELF-TILTING CHAIR**

(75) **Inventor:** **Dong-Yul Kwon, Seoul (KR)**

(73) **Assignee:** **Fursys, Inc., Seoul (KR)**

(**) **Term:** **14 Years**

(21) **Appl. No.:** **29/151,775**

(22) **Filed:** **Nov. 6, 2001**

(51) **LOC (7) Cl.** **06-01**

(52) **U.S. Cl.** **D6/373; D6/375**

(58) **Field of Search** **D6/334, 371, 372,**
D6/373, 374, 375, 379, 380, 500, 501,
502; 297/445.1, 448.1, 448.2, DIG. 2

(56) **References Cited**

U.S. PATENT DOCUMENTS

D235,711 S	*	7/1975	Acton	D6/373
D243,572 S	*	3/1977	Offredi	D6/373
D248,432 S	*	7/1978	Petersen	D6/373
D255,184 S	*	6/1980	Locher	D6/375
5,123,702 A	*	6/1992	Caruso	297/448.2 X
D360,083 S	*	7/1995	Lohmeyer	D6/375

D410,801 S	*	6/1999	Holbrook	D6/373
D414,618 S	*	10/1999	Holbrook	D6/373
D422,805 S	*	4/2000	Smith	D6/373
D423,805 S	*	5/2000	Olson	D6/373
6,116,692 A	*	9/2000	Tarnay et al.	297/448.2 X
D433,578 S	*	11/2000	Saul	D6/373
D455,570 S	*	4/2002	Kita	D6/373

* cited by examiner

Primary Examiner—Gary D. Watson

(74) *Attorney, Agent, or Firm*—Merchant & Gould P.C.

(57) **CLAIM**

The ornamental design for self-tilting chair, as shown and described.

DESCRIPTION

FIG. 1 is a perspective view of a self-tilting chair;
FIG. 2 is a front view thereof;
FIG. 3 is a rear view thereof;
FIG. 4 is a left side view thereof;
FIG. 5 is a top elevational view thereof; and,
FIG. 6 is a bottom elevational view thereof.

1 Claim, 5 Drawing Sheets

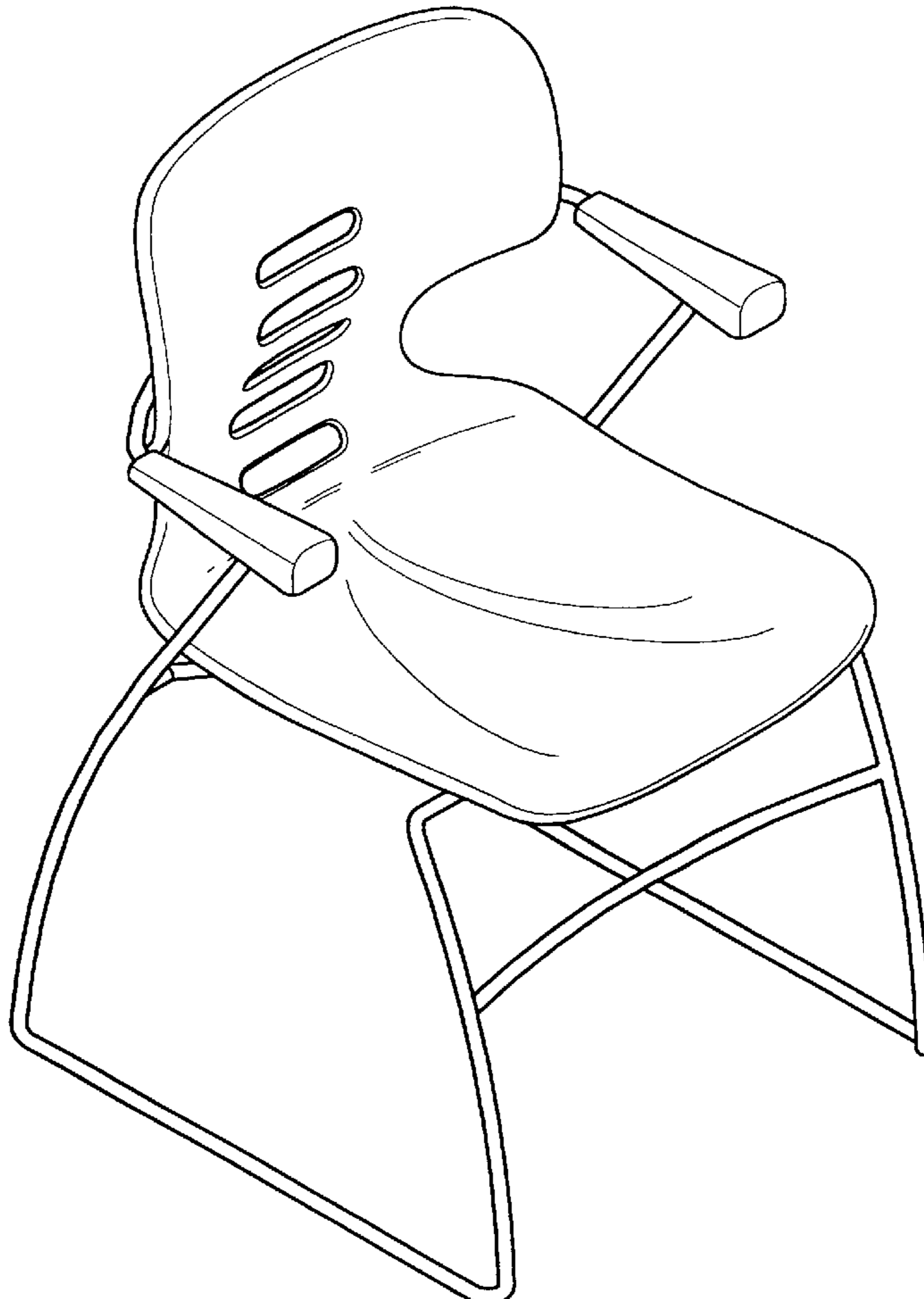


FIG. 1

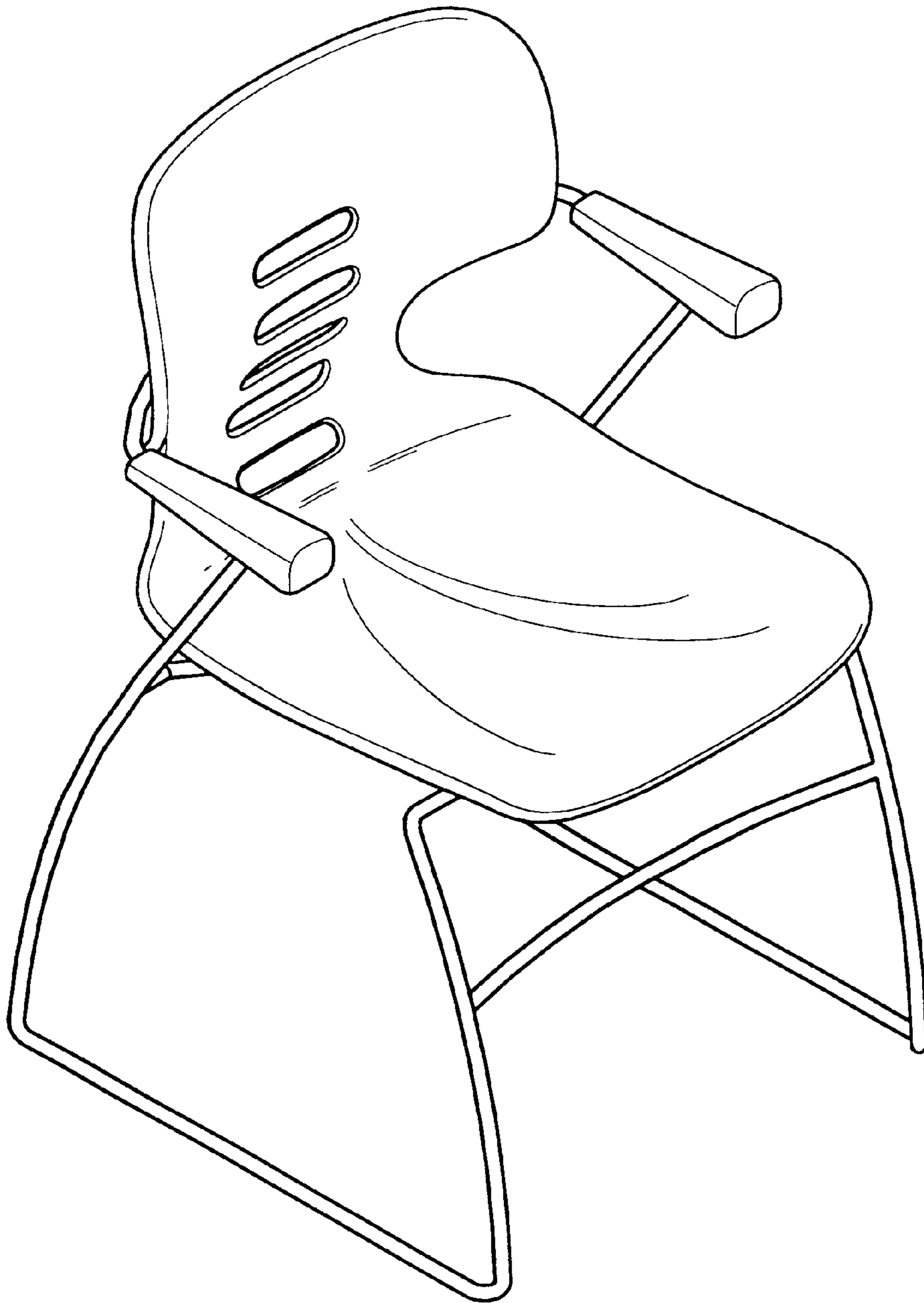


FIG. 2

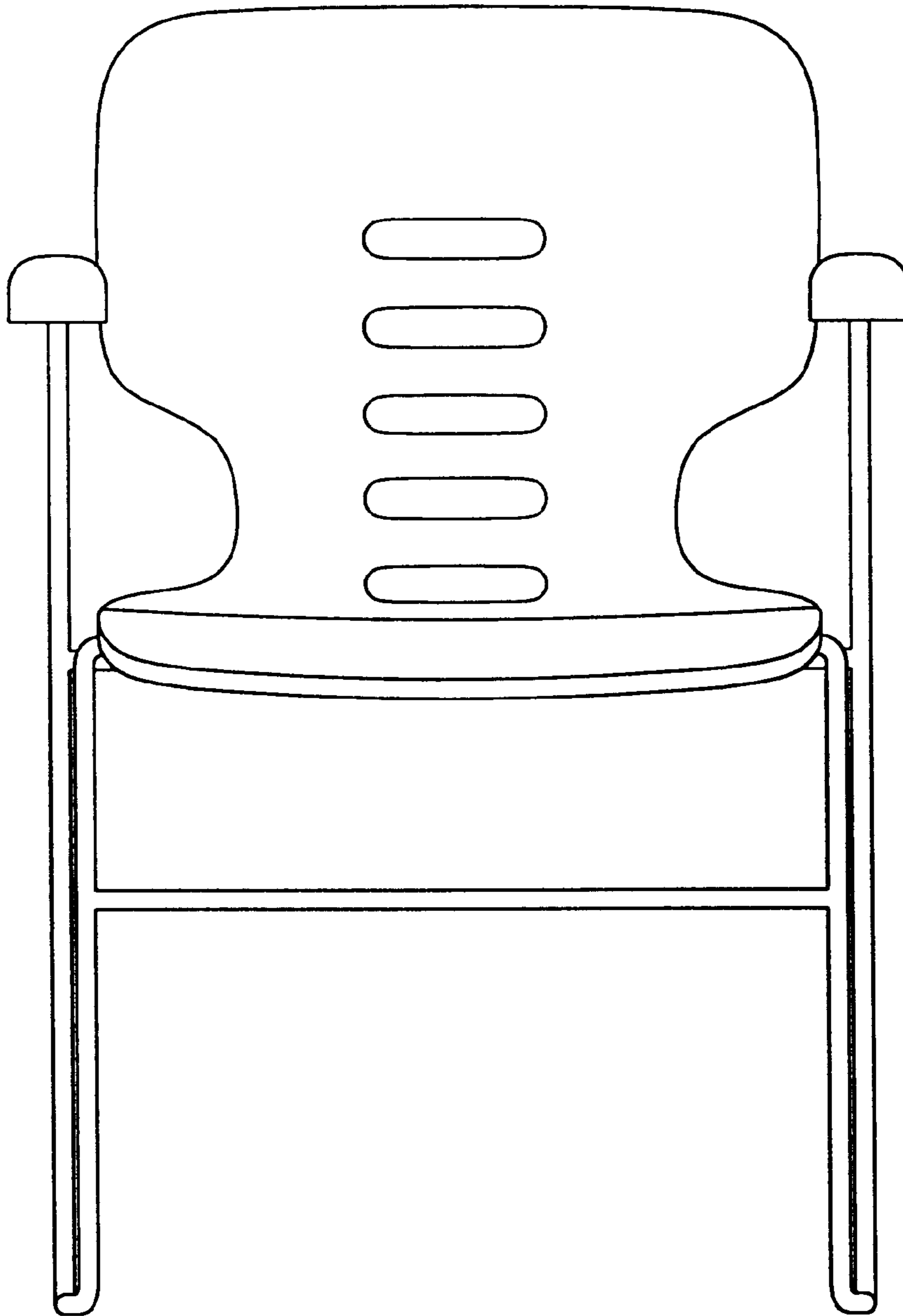


FIG.3

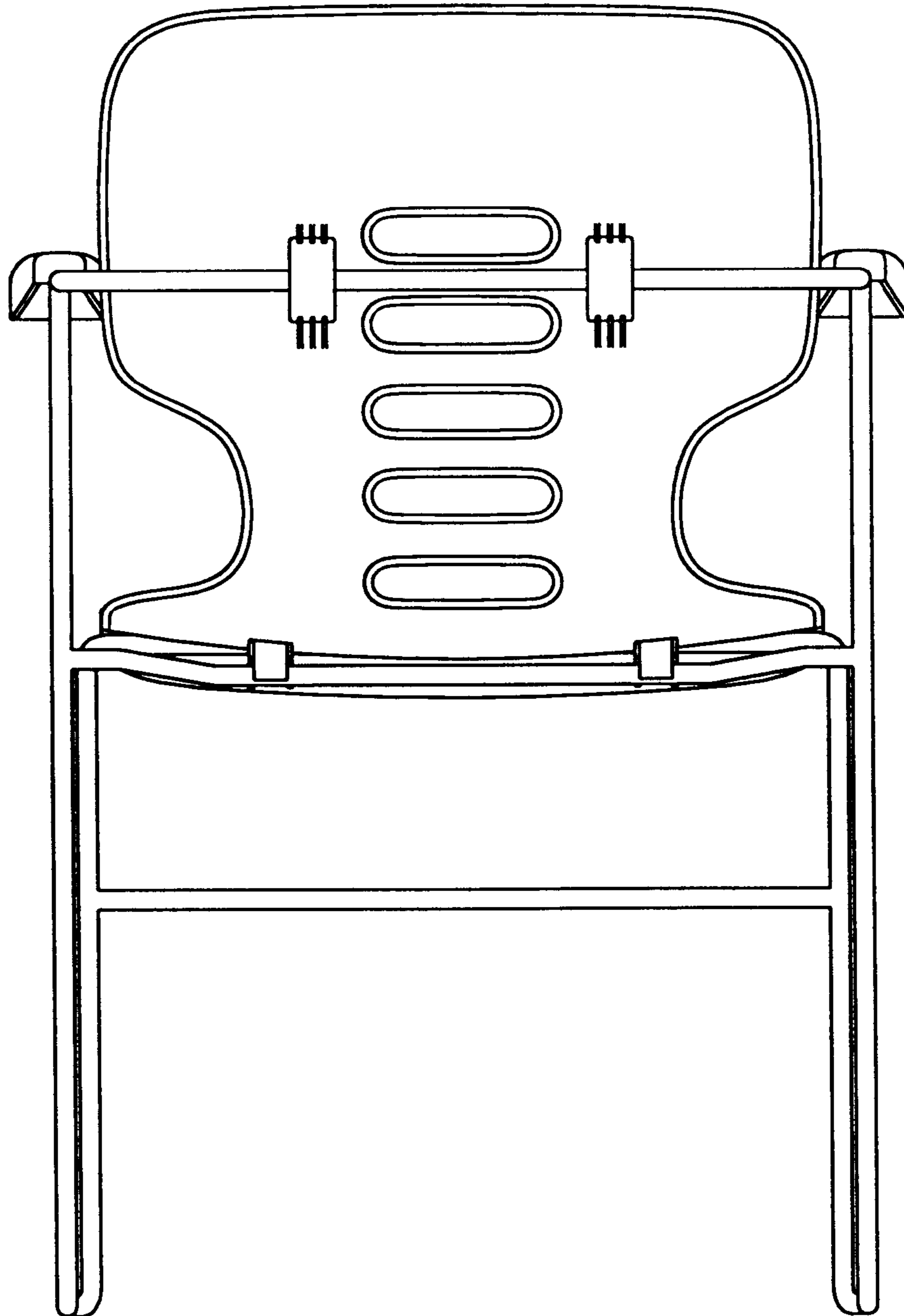


FIG. 4

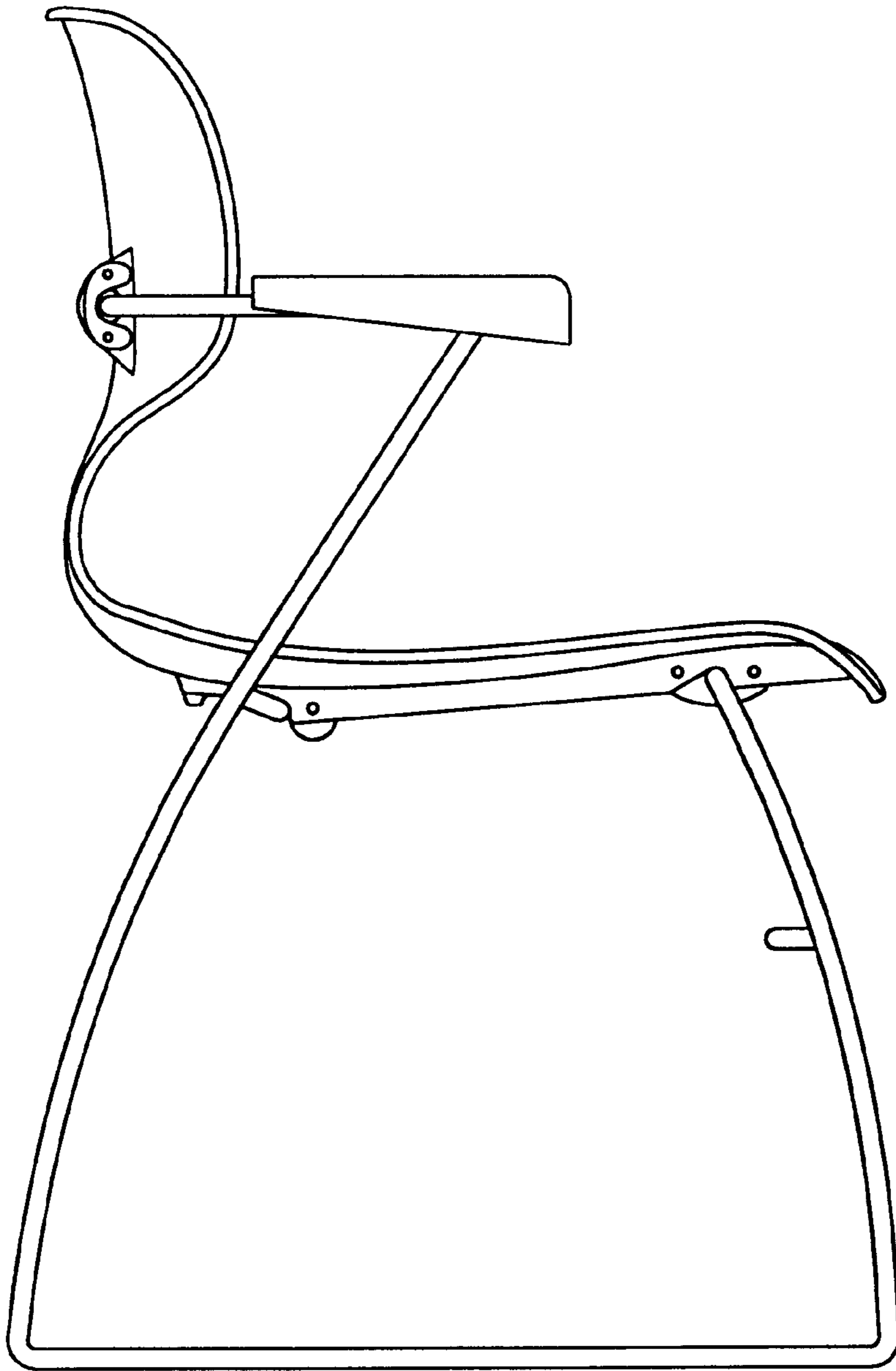


FIG. 5

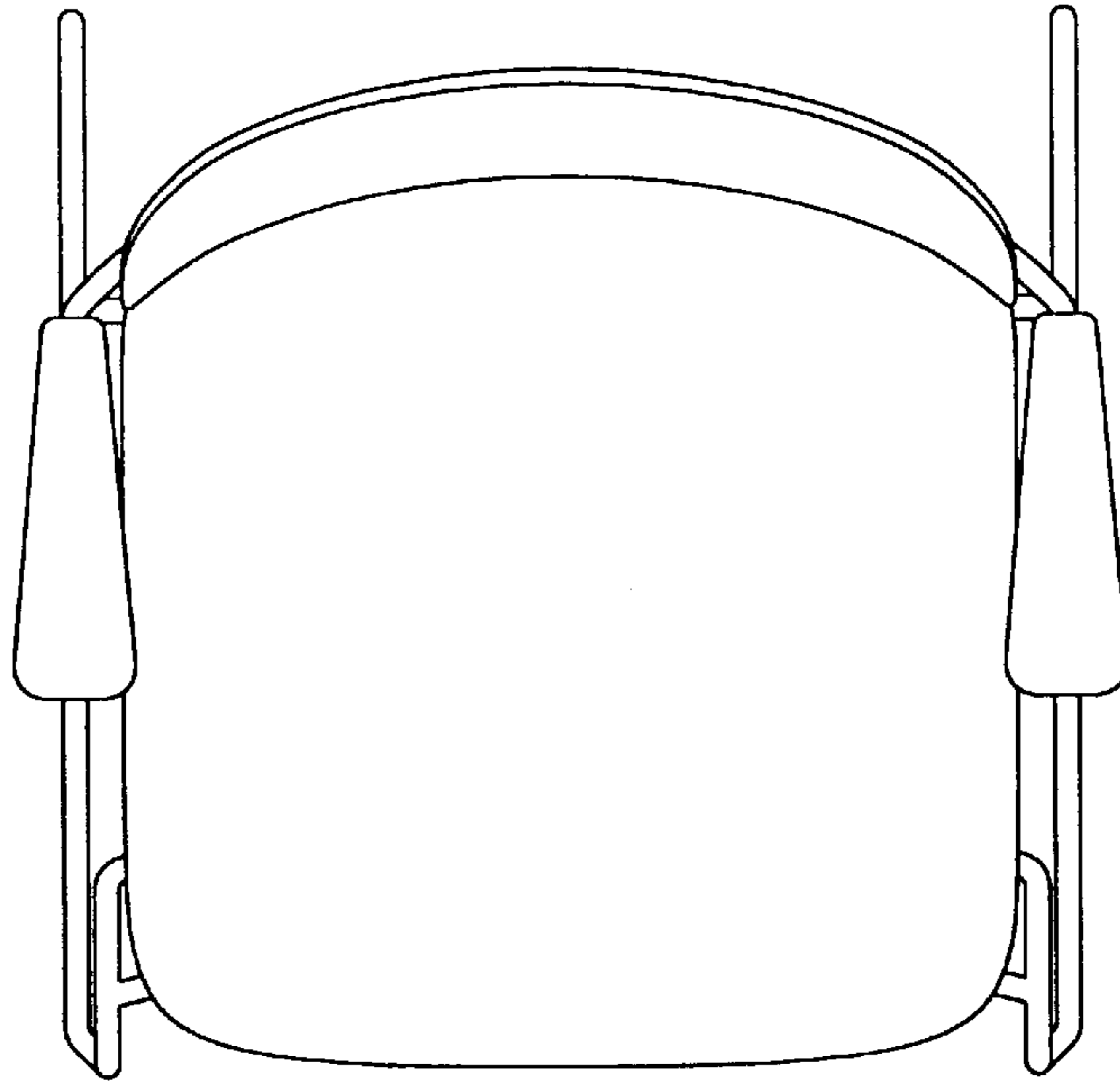


FIG. 6

