



US00D464207S

(12) **United States Design Patent**
Bell et al.

(10) **Patent No.: US D464,207 S**

(45) **Date of Patent: ** *Oct. 15, 2002**

(54) **STOOL TO BE EMPLOYED BY BASEBALL PLAYERS, COACHES, UMPIRES AND THE LIKE**

(76) Inventors: **LeAnn Bell**, 8352 Normandy Creek Dr., Centerville, OH (US) 45458;
Terrance Bell, 8352 Normandy Creek Dr., Centerville, OH (US) 45458

(*) Notice: This patent is subject to a terminal disclaimer.

(**) Term: **14 Years**

4,232,896 A	11/1980	Caldwell	
4,407,475 A	10/1983	Gossage	
4,451,080 A	5/1984	Nix	
4,700,914 A	10/1987	Chetham	
D308,439 S	6/1990	Van Winkle	
D309,989 S	* 8/1990	Golts D6/364
D339,003 S	9/1993	Mele	
D350,651 S	* 9/1994	Emery D6/364
5,441,433 A	8/1995	Stanley	
D365,695 S	1/1996	Sibbitt	
5,927,797 A	7/1999	Ferguson	
6,062,638 A	5/2000	Ferguson	
D428,721 S	8/2000	Jenkins	

FOREIGN PATENT DOCUMENTS

(21) Appl. No.: **29/150,031**

GB	2171001 A	8/1986
GB	2210784 A	6/1989

(22) Filed: **Nov. 1, 2001**

* cited by examiner

Related U.S. Application Data

(62) Division of application No. 29/136,013, filed on Jan. 24, 2001, now Pat. No. Des. 450,943.

Primary Examiner—Gary D. Watson

(74) *Attorney, Agent, or Firm*—Tom Hamill, Jr.

(51) **LOC (7) Cl.** **06-01**

(52) **U.S. Cl.** **D6/364**

(58) **Field of Search** D6/334, 335, 364,
D6/370, 374, 500, 501, 502; 248/156, 545;
297/4

(57) **CLAIM**

The ornamental design for the stool to be employed by baseball players, coaches, umpires and the like, as shown and described.

DESCRIPTION

(56) **References Cited**

U.S. PATENT DOCUMENTS

226,252 A	4/1880	Smith	
699,932 A	5/1902	Smith	
759,809 A	5/1904	Farley	
1,220,316 A	3/1917	Bragg	
2,099,345 A	11/1937	Olszanowski	
D171,652 S	3/1954	Keady	
3,283,733 A	11/1966	Boerma	
4,098,478 A	7/1978	Spitzke	
D256,192 S	* 8/1980	Lofton D6/370

FIG. 1 is a perspective view of the stool to be employed by baseball players, coaches, umpires and the like, FIG. 2 is a top view thereof, FIG. 3 is a front side or rear side view thereof, FIG. 4 is a bottom view thereof; and, FIG. 5 is a right side or left side view thereof. The broken lines shown in FIGS. 1, 3 and 5 are for illustrative purposes only and form no part of the claimed design.

1 Claim, 3 Drawing Sheets

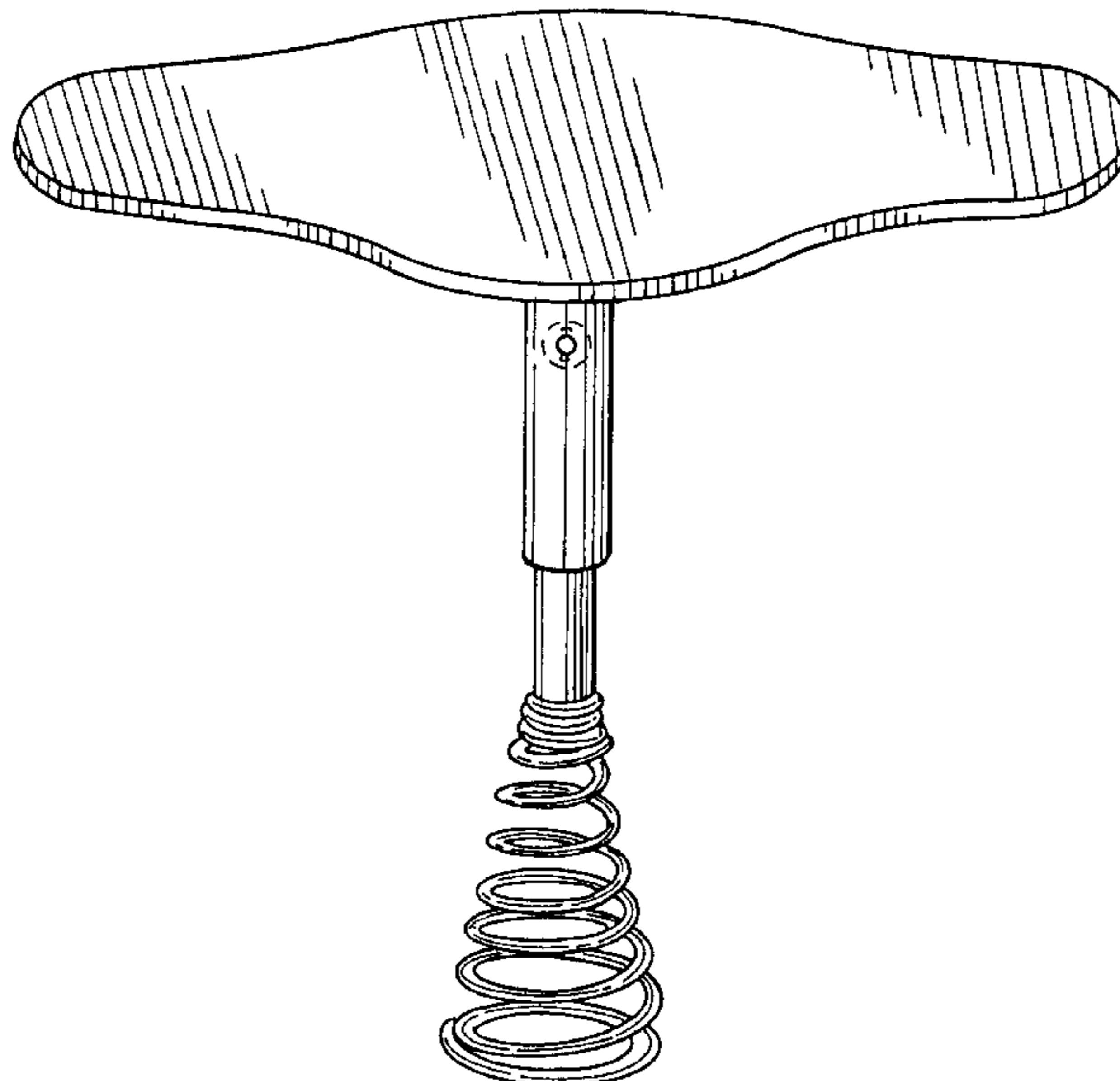


Fig. 1

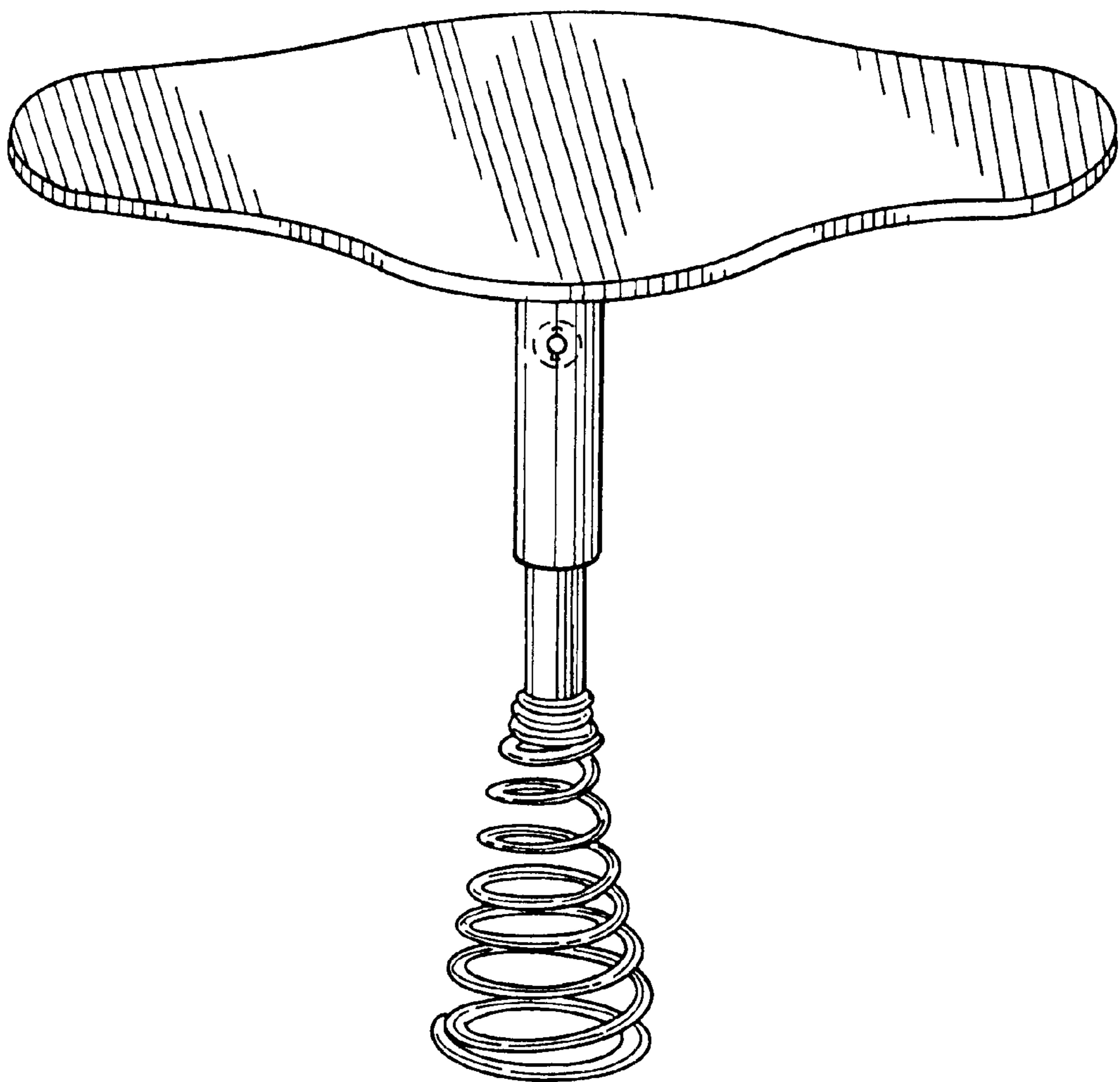


Fig.2

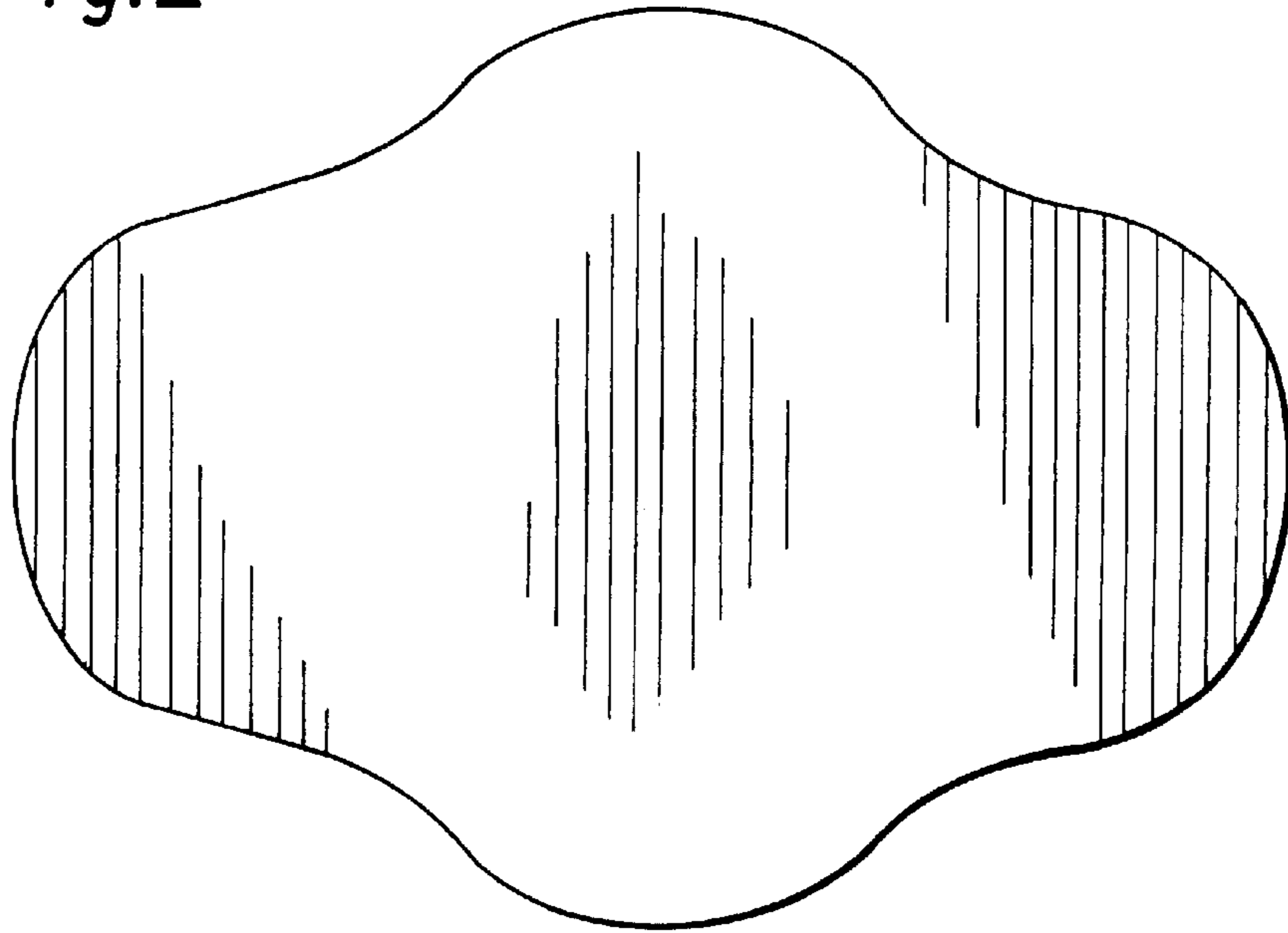


Fig.3

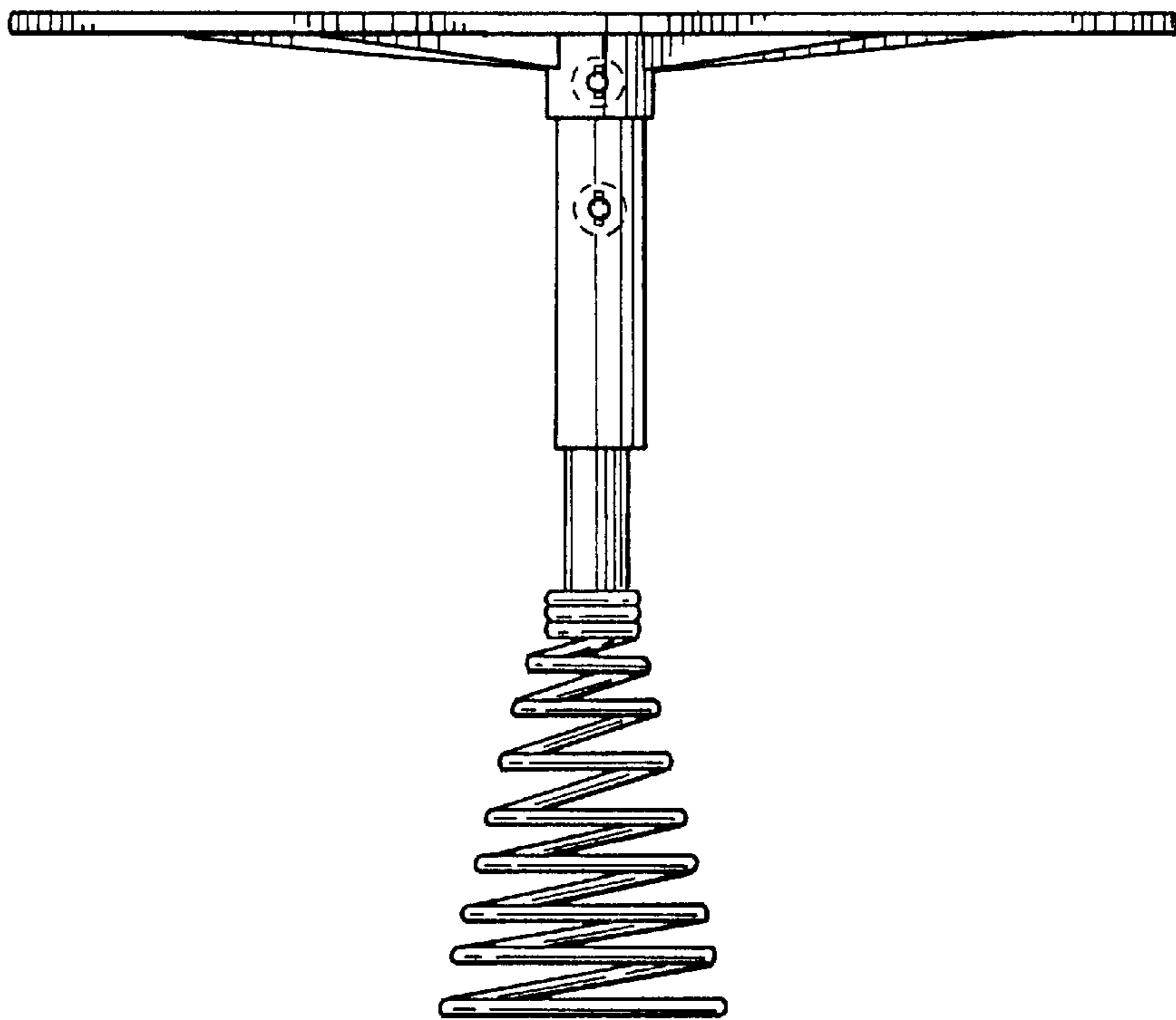


Fig.4

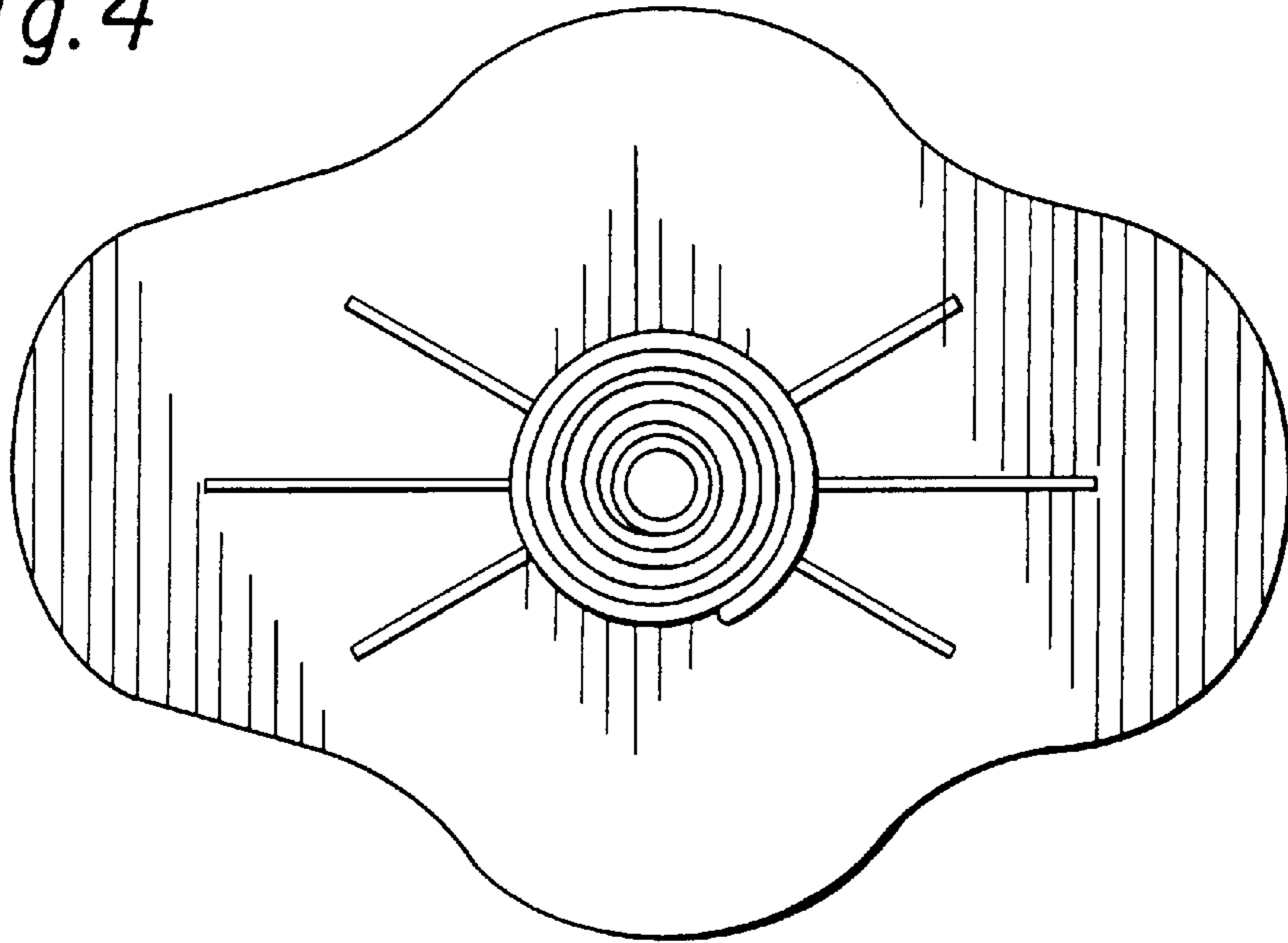


Fig.5

