



US00D464201S

(12) **United States Design Patent**
Haas et al.

(10) **Patent No.:** **US D464,201 S**

(45) **Date of Patent:** **** Oct. 15, 2002**

(54) **BOTTLE WITH BRUSH**

(75) Inventors: **Hans E. Haas**, Stow, OH (US); **Russell Webster Shaffer**, W. Simsbury, CT (US); **Volker Gerald Fremuth**, Colchester, CT (US); **Robert F. Soreo**, Cleveland Heights, OH (US); **Nick E. Stanca**, Westlake, OH (US)

(73) Assignee: **Permatex, Inc.**, Solon, OH (US)

(**) Term: **14 Years**

(21) Appl. No.: **29/150,730**

(22) Filed: **Nov. 28, 2001**

(51) **LOC (7) Cl.** **04-01**

(52) **U.S. Cl.** **D4/116; D9/338; D9/523**

(58) **Field of Search** D4/116, 121, 130, D4/136; D9/338, 523, 525, 526, 528, 560, 575; 215/390; 401/118, 123, 131, 137, 139

(56) **References Cited**

U.S. PATENT DOCUMENTS

D26,924 S	4/1897	Cropper	
864,676 A	8/1907	Nagely	
2,741,786 A	4/1956	Bressler	15/105
D183,190 S	7/1958	Zampetti	58/6
D210,444 S	* 3/1968	Cortina	D9/523

3,544,226 A	12/1970	Kellis	401/28
3,565,541 A	2/1971	Vallis	401/137
D264,181 S	5/1982	Booso	D9/337
D266,095 S	* 9/1982	Hara	D9/523 X
D326,007 S	* 5/1992	Gilchrist	D9/523 X
D355,369 S	2/1995	Lund et al.	D9/558
D383,001 S	9/1997	Bell et al.	D4/116
D397,038 S	* 8/1998	Estrin et al.	D9/523
D453,627 S	* 2/2002	Holmes et al.	D4/116
D454,308 S	* 3/2002	Scheida	D9/523

* cited by examiner

Primary Examiner—Alan P. Douglas

Assistant Examiner—Lavone Tabor

(74) *Attorney, Agent, or Firm*—Gifford, Krass, Groh, Sprinkle, Anderson & Citkowski, P.C.

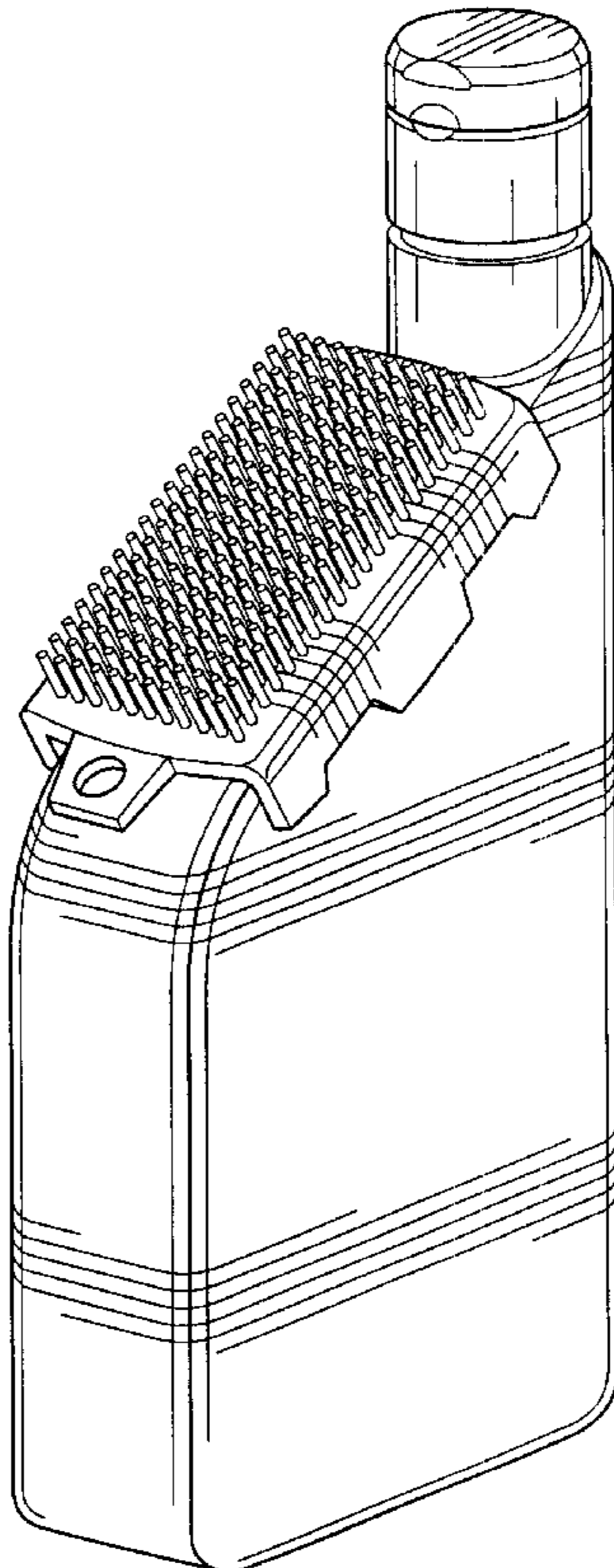
(57) **CLAIM**

The ornamental design for a bottle with brush, as shown and described.

DESCRIPTION

FIG. 1 is a perspective view of the bottle with brush in accordance with the present invention; FIG. 2 is a side view of FIG. 1; FIG. 3 is a front view of FIG. 1; FIG. 4 is back view of FIG. 1; FIG. 5 is a top view of FIG. 1; and, FIG. 6 is a bottom view of FIG. 1.

1 Claim, 2 Drawing Sheets



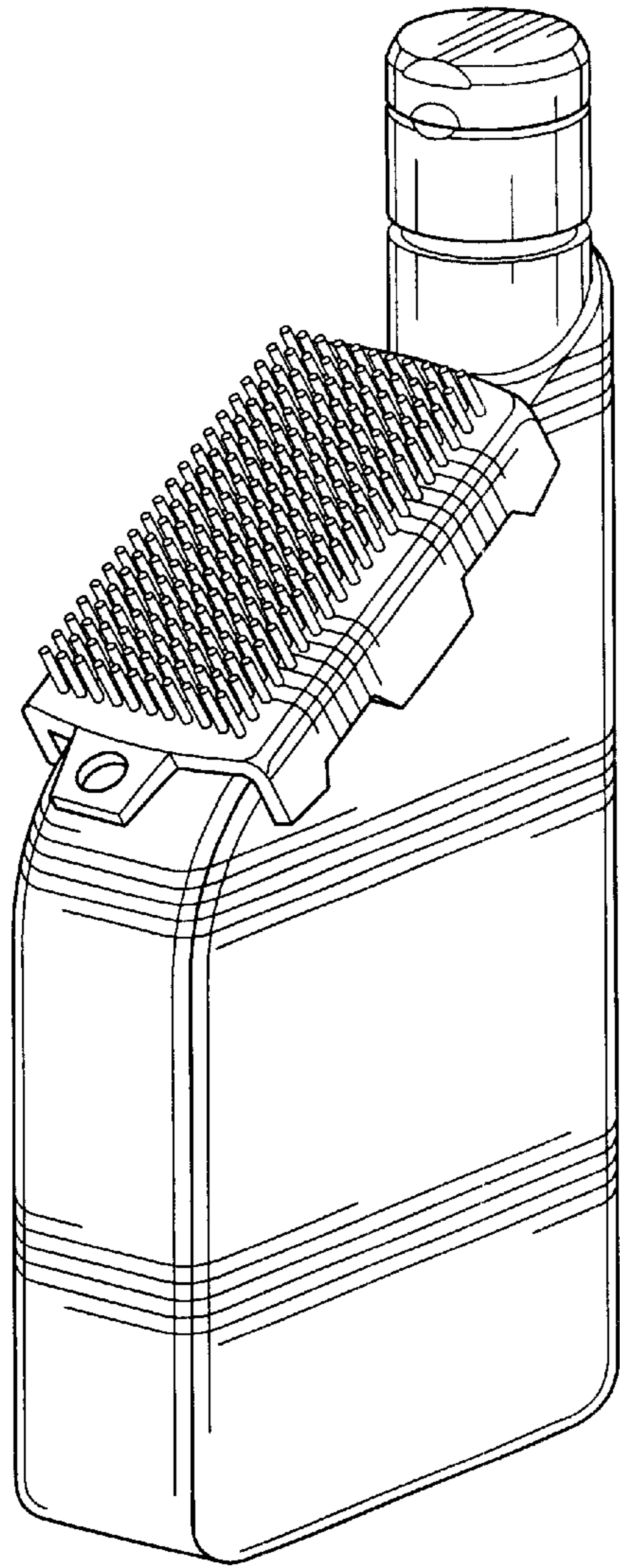


FIG. 1

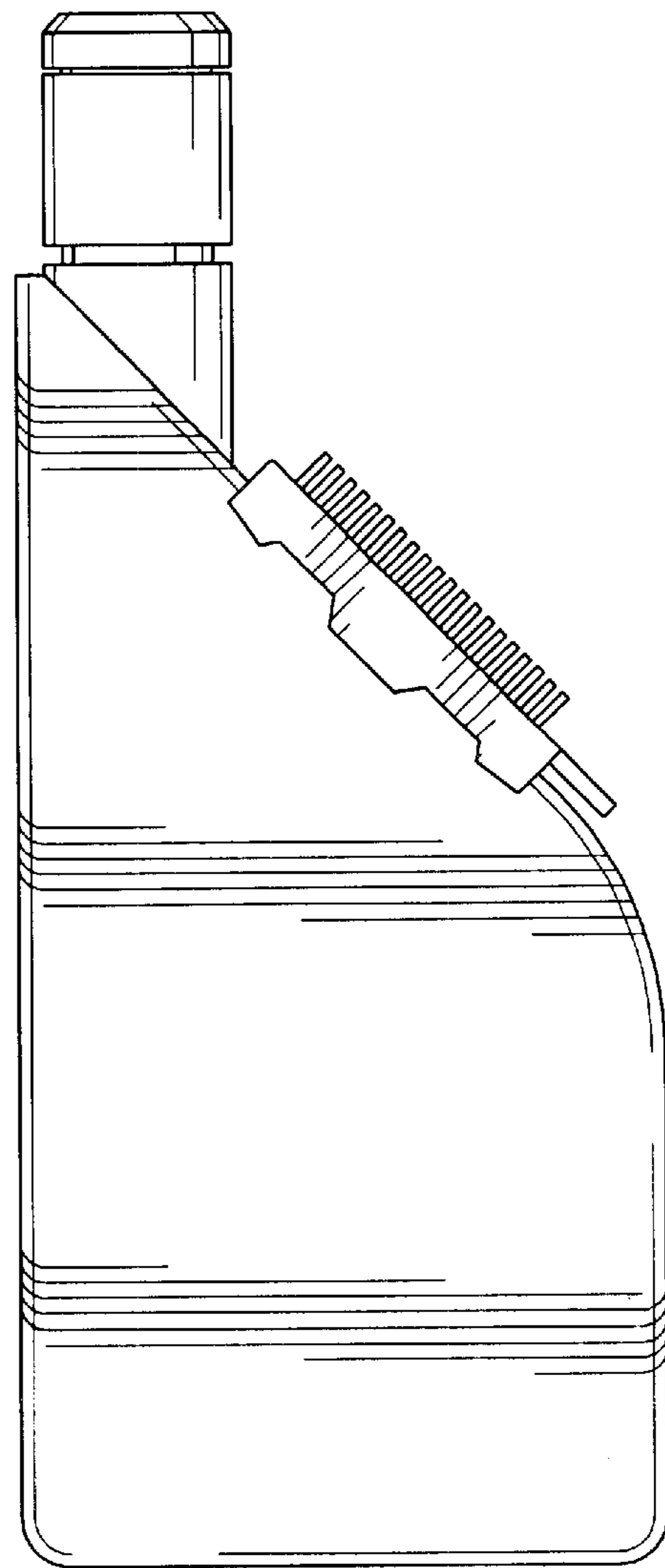


FIG. 2

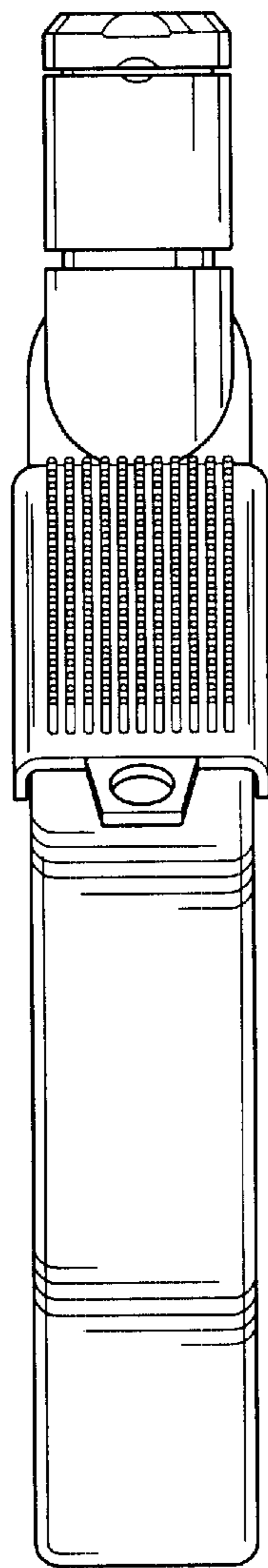


FIG. 3

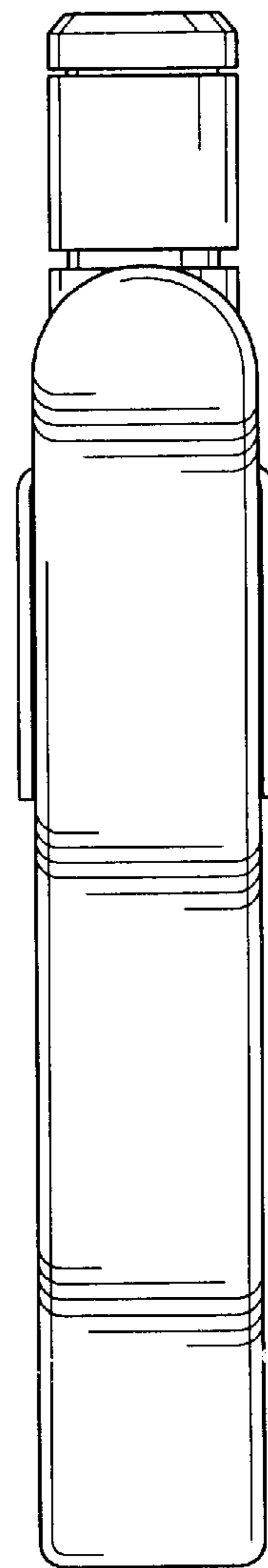


FIG. 4

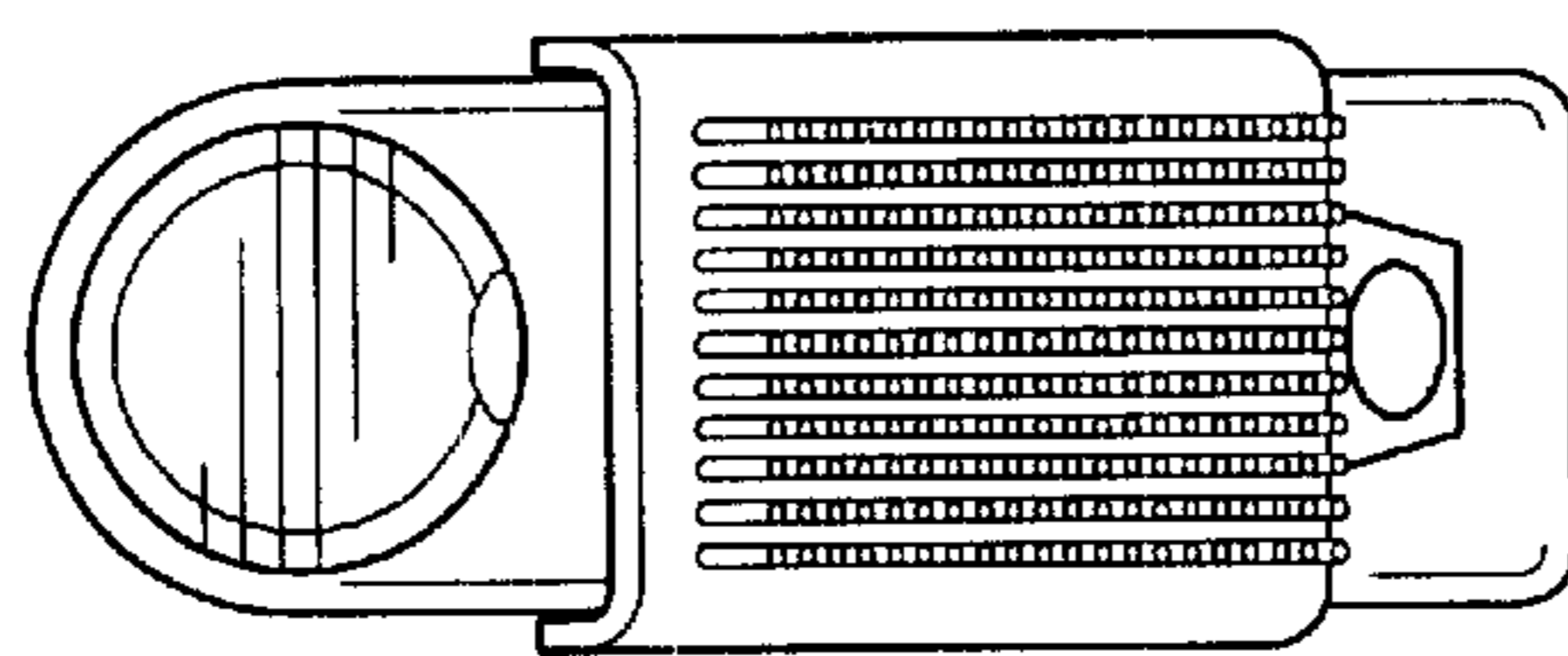


FIG. 5

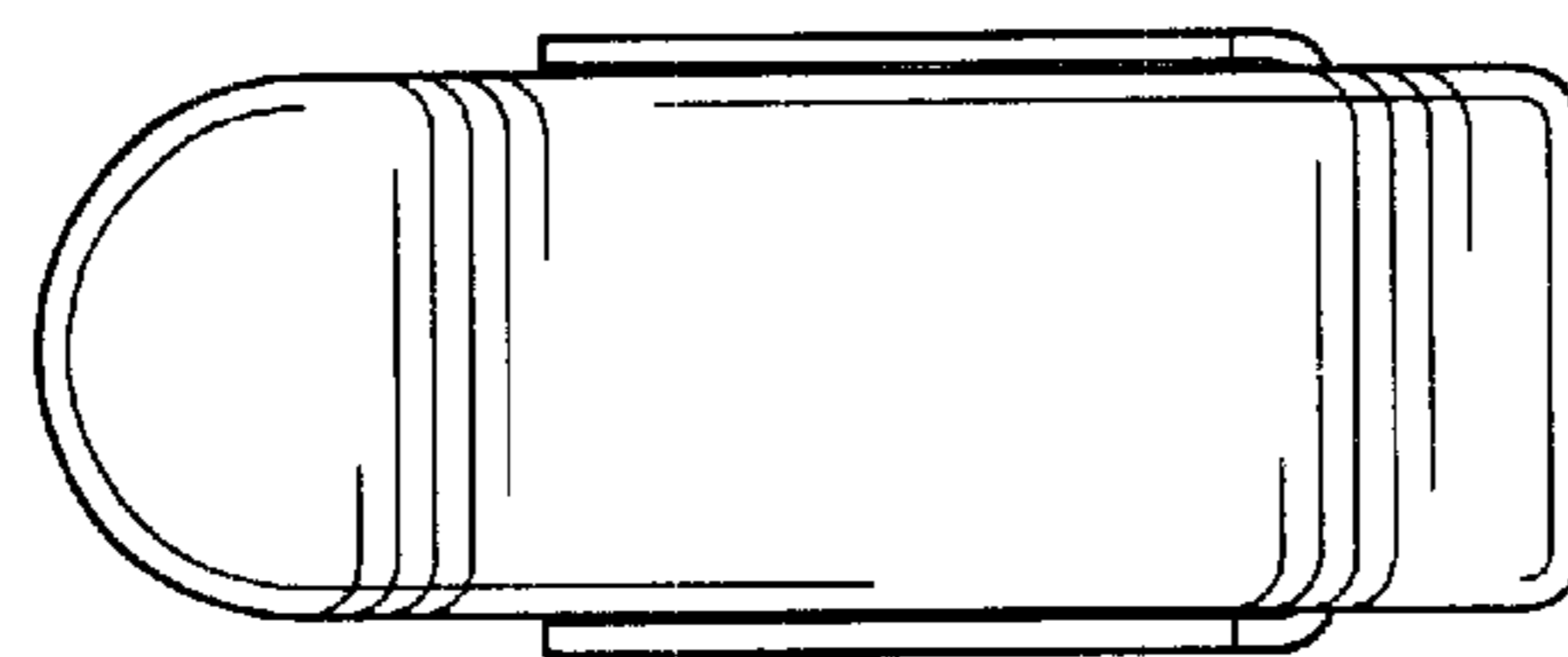


FIG. 6