



US00D464200S

(12) **United States Design Patent**
Pao

(10) **Patent No.:** **US D464,200 S**

(45) **Date of Patent:** **** Oct. 15, 2002**

(54) **TOOTHBRUSH**

D334,288 S * 3/1993 Witzig-Jaggi D4/104
D364,740 S * 12/1995 Loew D4/104

(76) Inventor: **Shih-Chieh Pao**, Chang Chia Wei, P.O.
Box 25-7, Kaohsiung City 811 (TW)

* cited by examiner

(**) Term: **14 Years**

Primary Examiner—Lisa Lichtenstein

(21) Appl. No.: **29/155,962**

(57) **CLAIM**

(22) Filed: **Feb. 22, 2002**

The ornamental design for a toothbrush, as shown and described.

(51) **LOC (7) Cl.** **04-02**

DESCRIPTION

(52) **U.S. Cl.** **D4/104**

(58) **Field of Search** D4/104-112, 130,
D4/132, 134, 138; 15/159.1, 167.1, 167.2,
186, 187, 207.2, DIG. 5; 601/139, 141;
132/308

FIG. 1. is a perspective view of a toothbrush showing my design;

FIG. 2. is a front elevational view thereof;

FIG. 3. is a rear elevational view thereof;

FIG. 4. is a left elevational view thereof;

FIG. 5. is a right elevational view thereof;

FIG. 6. is a top plan view thereof; and,

FIG. 7. is a bottom plan view thereof.

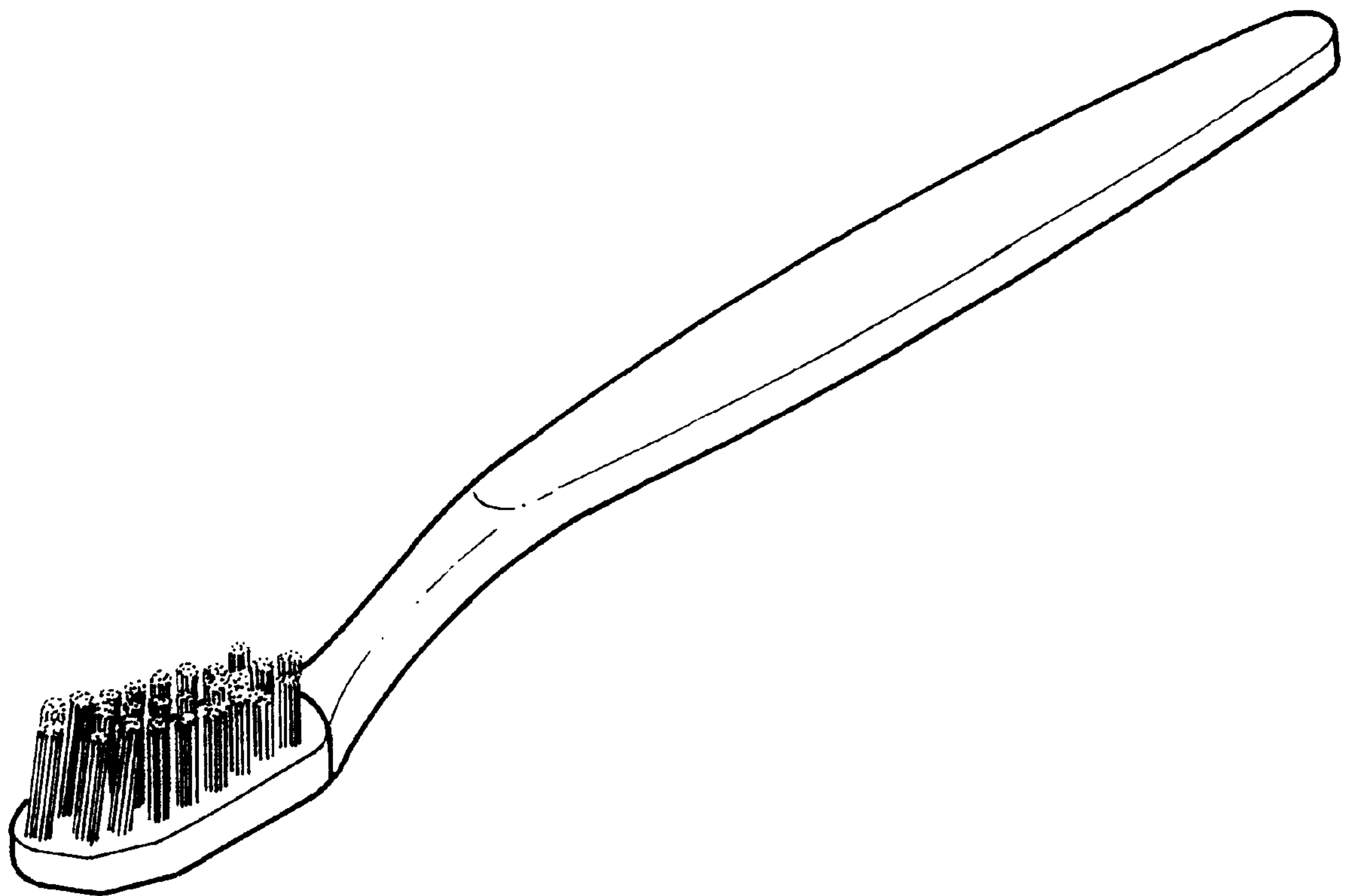
(56) **References Cited**

U.S. PATENT DOCUMENTS

1,440,785 A * 1/1923 Levis 15/167.1

3,742,549 A * 7/1973 Scopp et al. 15/167.1

1 Claim, 3 Drawing Sheets



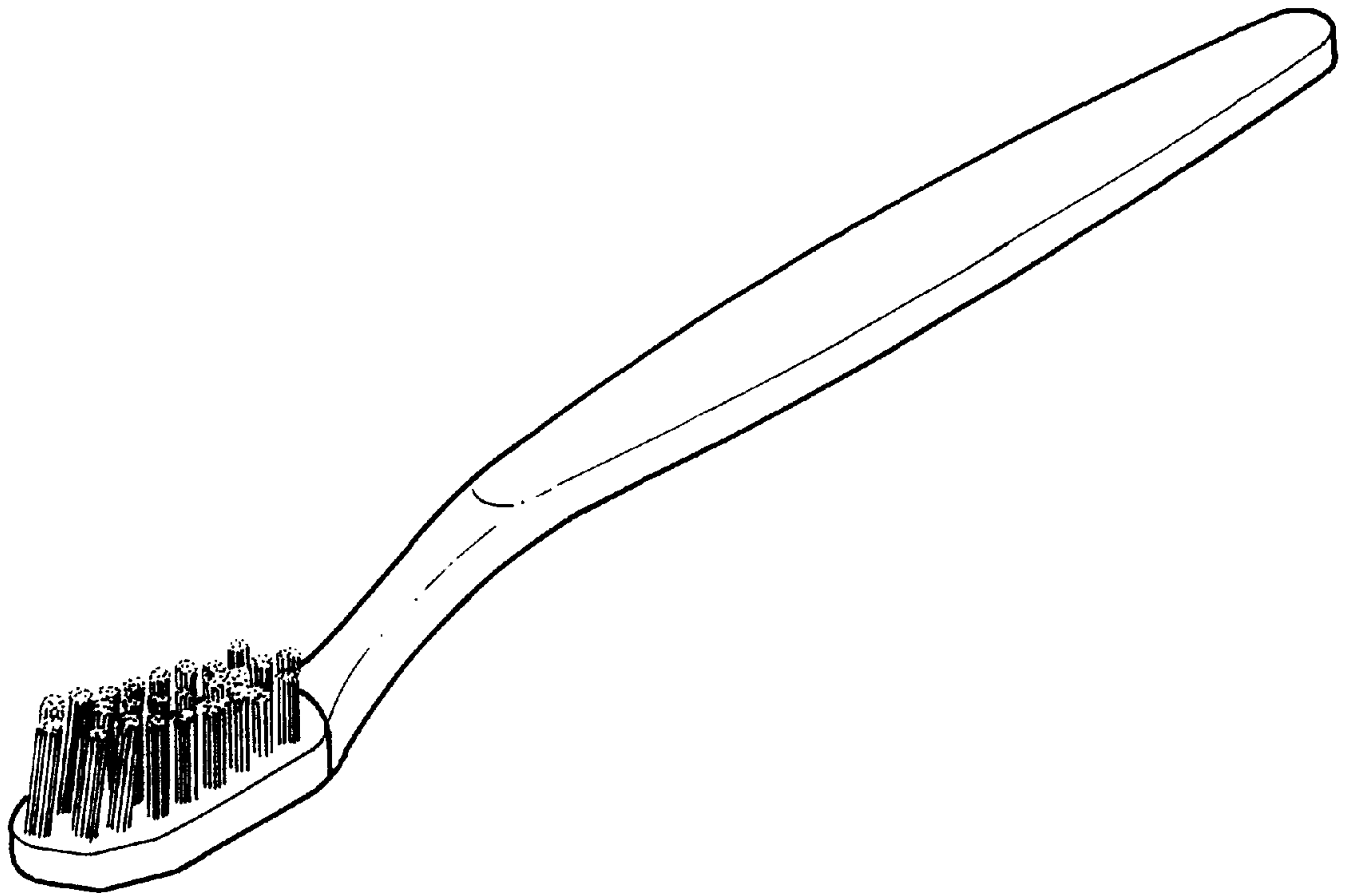


FIG. 1

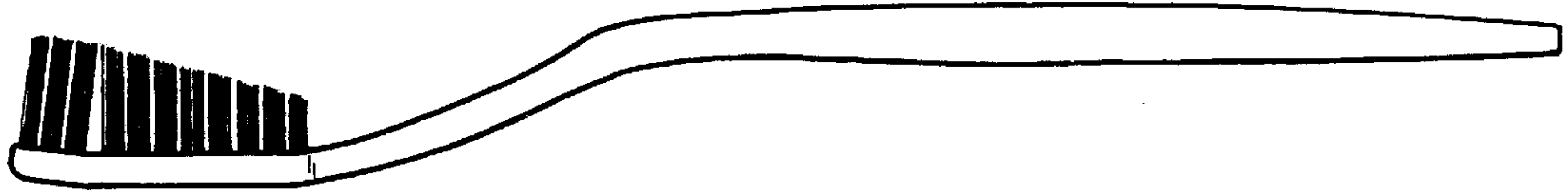


FIG. 2

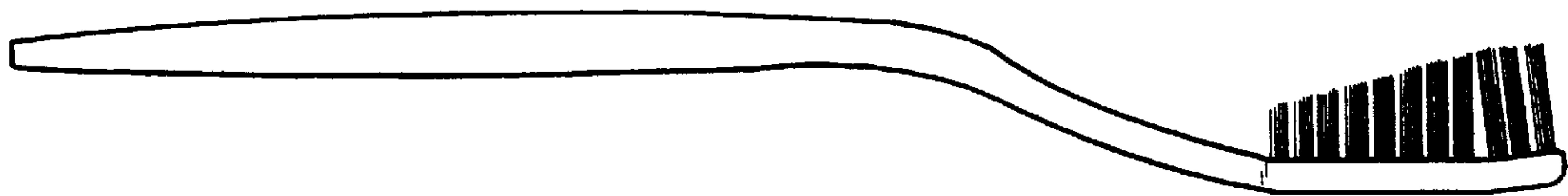


FIG. 3



FIG. 4



FIG. 5

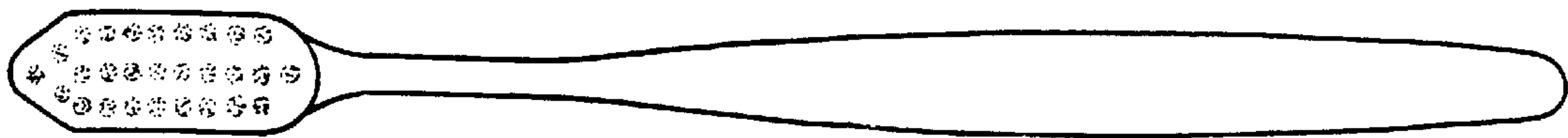


FIG. 6

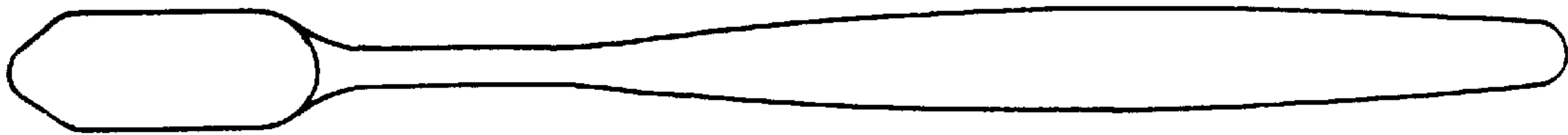


FIG. 7