



US00D464196S

(12) **United States Design Patent**
Parker

(10) **Patent No.:** **US D464,196 S**

(45) **Date of Patent:** **** Oct. 15, 2002**

(54) **PROTECTOR CASE**

(75) Inventor: **David H. Parker**, Torrance, CA (US)

(73) Assignee: **Pelican Products, Inc.**, Torrance, CA (US)

(**) Term: **14 Years**

(21) Appl. No.: **29/151,547**

(22) Filed: **Dec. 7, 2001**

(51) **LOC (7) Cl.** **03-01**

(52) **U.S. Cl.** **D3/273; D3/294; D3/201**

(58) **Field of Search** **D3/201, 272, 273, D3/276, 281, 282, 294; D9/420, 423, 424; 206/349, 372, 373, 508, 518; 220/334, 338, 344**

(56) **References Cited**

U.S. PATENT DOCUMENTS

D275,822 S	*	10/1984	Gatland et al.	D3/282
D347,324 S	*	5/1994	Dickinson	D3/272
D353,048 S	*	12/1994	VanSkiver et al.	D3/273
D413,202 S	*	8/1999	Schmitt et al.	D3/276
D413,203 S	*	8/1999	Zurwelle et al.	D3/276
D419,297 S	*	1/2000	Richardson et al.	D3/273
D419,767 S	*	2/2000	Richardson et al.	D3/273
D419,768 S	*	2/2000	Richardson et al.	D3/273
D423,772 S	*	5/2000	Cooper et al.	D3/201
D429,884 S	*	8/2000	Zurwelle et al.	D3/276
D439,407 S	*	3/2001	Parker	D3/276

* cited by examiner

Primary Examiner—Philip S. Hyder

(74) *Attorney, Agent, or Firm*—Oppenheimer Wolff & Donnelly, LLP

(57) **CLAIM**

The ornamental design for a protector case, as shown and described.

DESCRIPTION

FIG. 1 is a top front perspective view of the protector case;

FIG. 2 is a top plan view of the case;

FIG. 3 is a bottom plan of the case;

FIG. 4 is a front view of the case;

FIG. 5 is a rear view of the case;

FIG. 6 is a side view of the case;

FIG. 7 is an opposite side view of the case;

FIG. 8 is a top front perspective view of an alternate embodiment of the protector case;

FIG. 9 is a top plan view of the alternate embodiment of FIG. 8;

FIG. 10 is a bottom plan of the alternate embodiment of FIG. 8;

FIG. 11 is a front view of the alternate embodiment of FIG. 8;

FIG. 12 is a rear view of the alternate embodiment of FIG. 8;

FIG. 13 is a side view of the alternate embodiment of FIG. 8;

FIG. 14 is an opposite side view of the alternate embodiment of FIG. 8;

FIG. 15 is a top front perspective view of a second alternate embodiment of the protector case;

FIG. 16 is a top plan view of the alternate embodiment of FIG. 15;

FIG. 17 is a bottom plan of the alternate embodiment of FIG. 15;

FIG. 18 is a front view of the alternate embodiment of FIG. 15;

FIG. 19 is a rear view of the alternate embodiment of FIG. 15;

FIG. 20 is a side view of the alternate embodiment of FIG. 15;

FIG. 21 is an opposite side view of the alternate embodiment of FIG. 15;

FIG. 22 is a top front perspective view of a third alternate embodiment of the protector case;

FIG. 23 is a top plan view of the case of an alternative embodiment of the case of FIG. 22;

FIG. 24 is a bottom plan of the case of an alternative embodiment of the case of FIG. 22;

FIG. 25 is a front view of the case of an alternative embodiment of the case of FIG. 22;

FIG. 26 is a rear view of the case of an alternative embodiment of the case of FIG. 22;

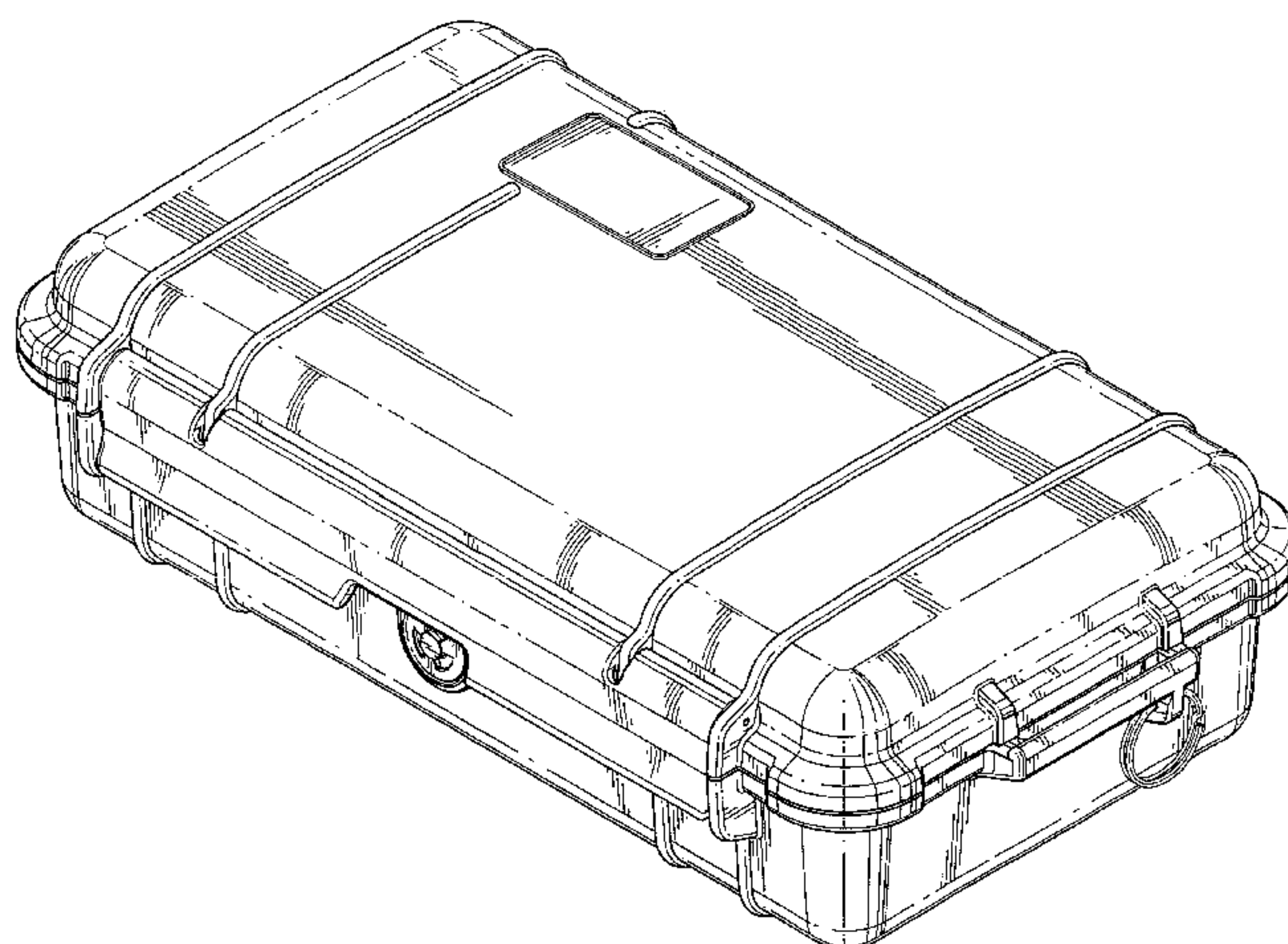


FIG. 27 is a side view of the case of an alternative embodiment of the case of FIG. 22;

FIG. 28 is an opposite side view of the case of an alternative embodiment of the case of FIG. 22;

FIG. 29 is a top front perspective view of a fourth alternate embodiment of the protector case;

FIG. 30 is a top plan view of the alternate embodiment of FIG. 29;

FIG. 31 is a bottom plan of the alternate embodiment of FIG. 29;

FIG. 32 is a front view of the alternate embodiment of FIG. 29;

FIG. 33 is a rear view of the alternate embodiment of FIG. 29;

FIG. 34 is a side view of the alternate embodiment of FIG. 29;

FIG. 35 is an opposite side view of the alternate embodiment of FIG. 29;

FIG. 36 is a top front perspective view of a fifth alternate embodiment of the protector case;

FIG. 37 is a top plan view of the alternate embodiment of FIG. 36;

FIG. 38 is a bottom plan of the alternate embodiment of FIG. 36;

FIG. 39 is a front view of the alternate embodiment of FIG. 36;

FIG. 40 is a rear view of the alternate embodiment of FIG. 36;

FIG. 41 is a side view of the alternate embodiment of FIG. 36; and,

FIG. 42 is an opposite side view of the alternate embodiment of FIG. 36.

1 Claim, 24 Drawing Sheets

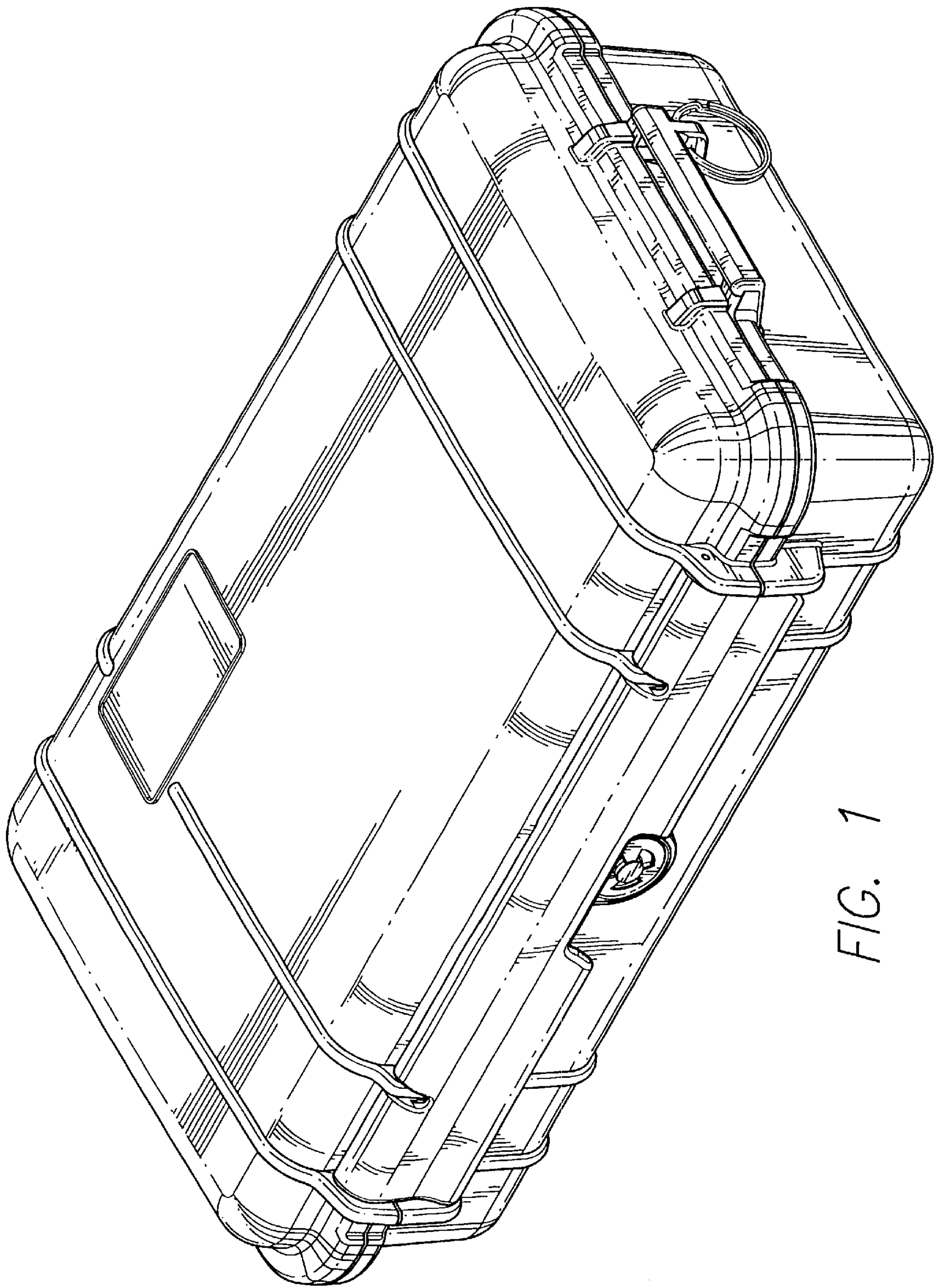


FIG. 1

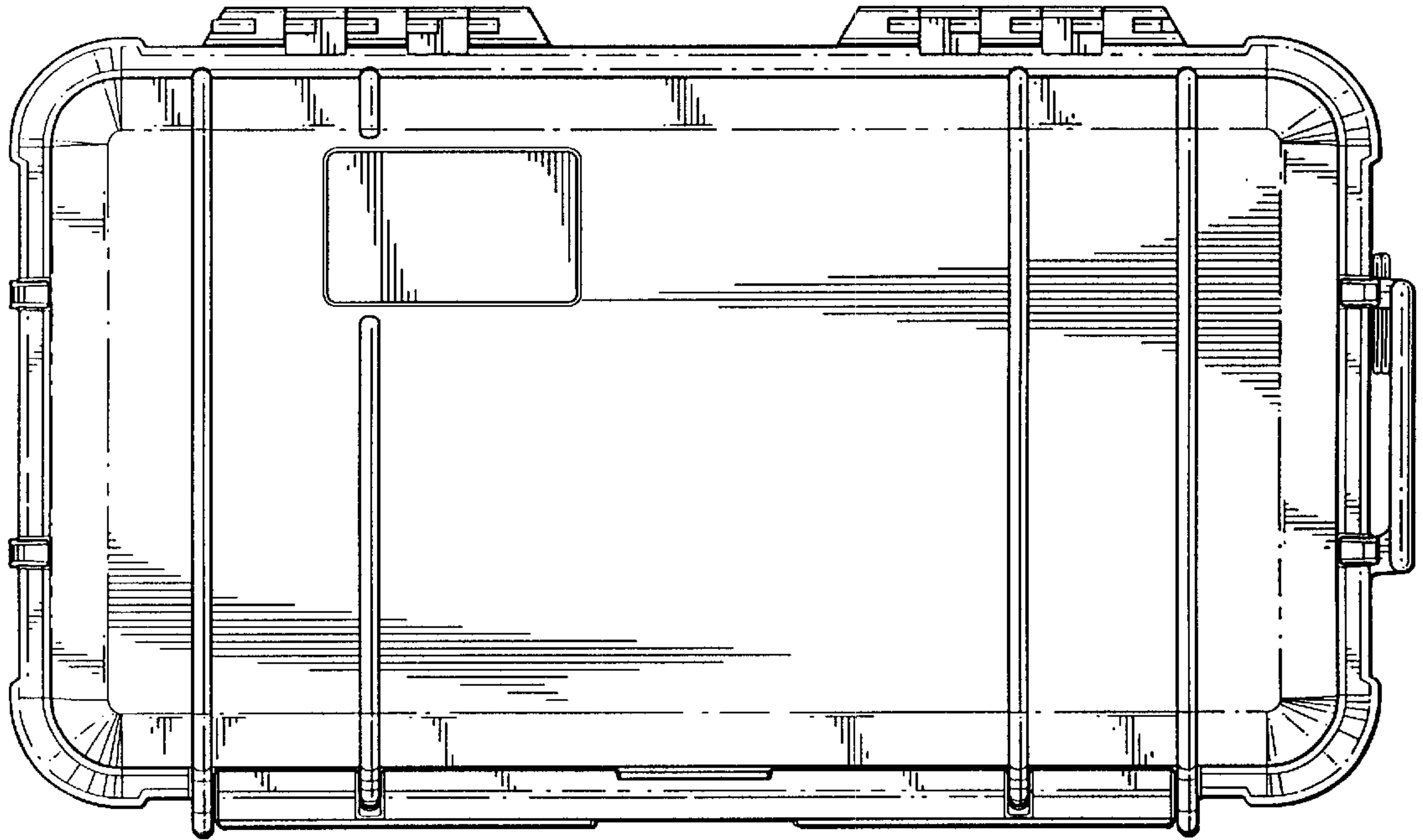


FIG. 2

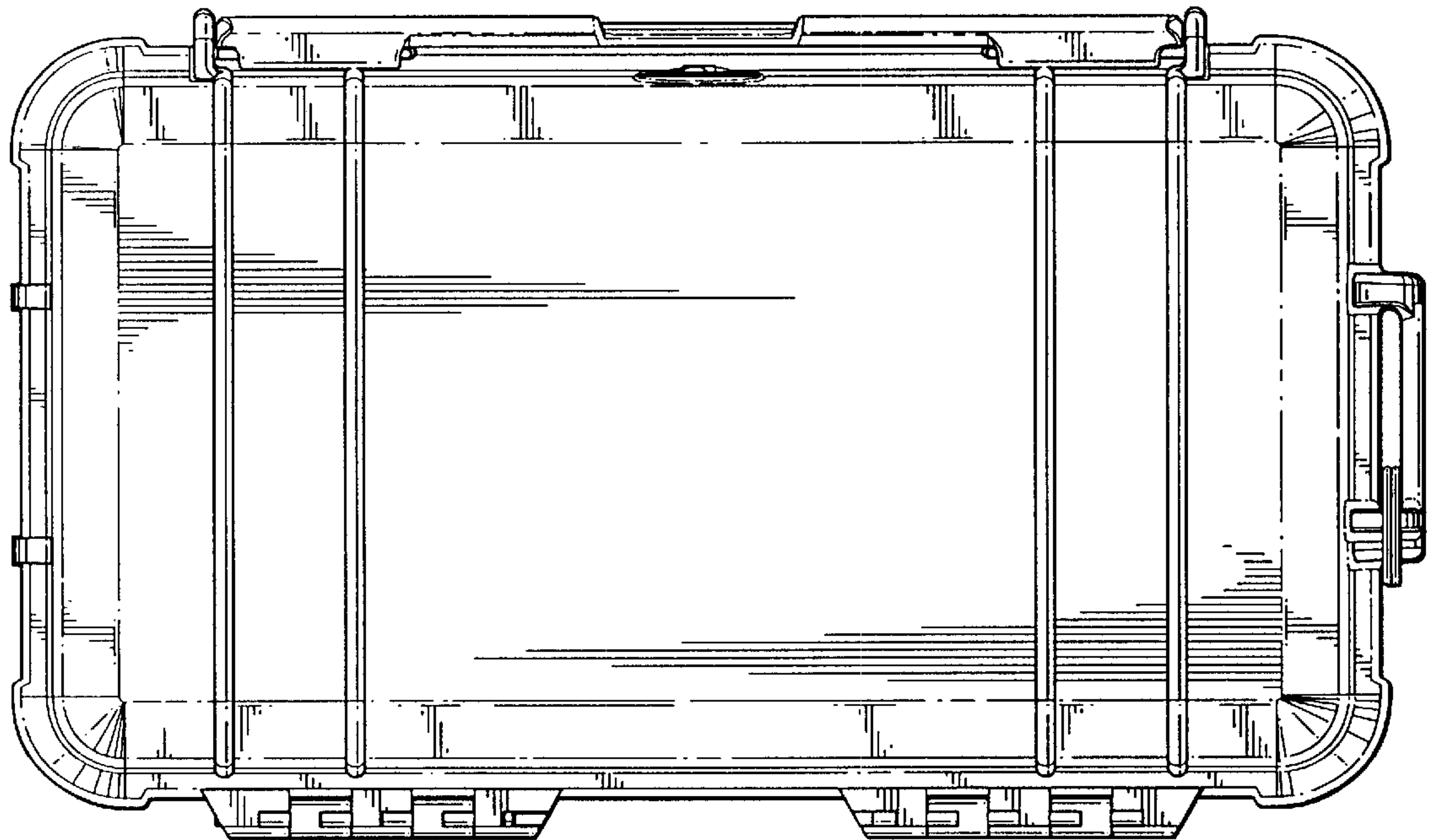


FIG. 3

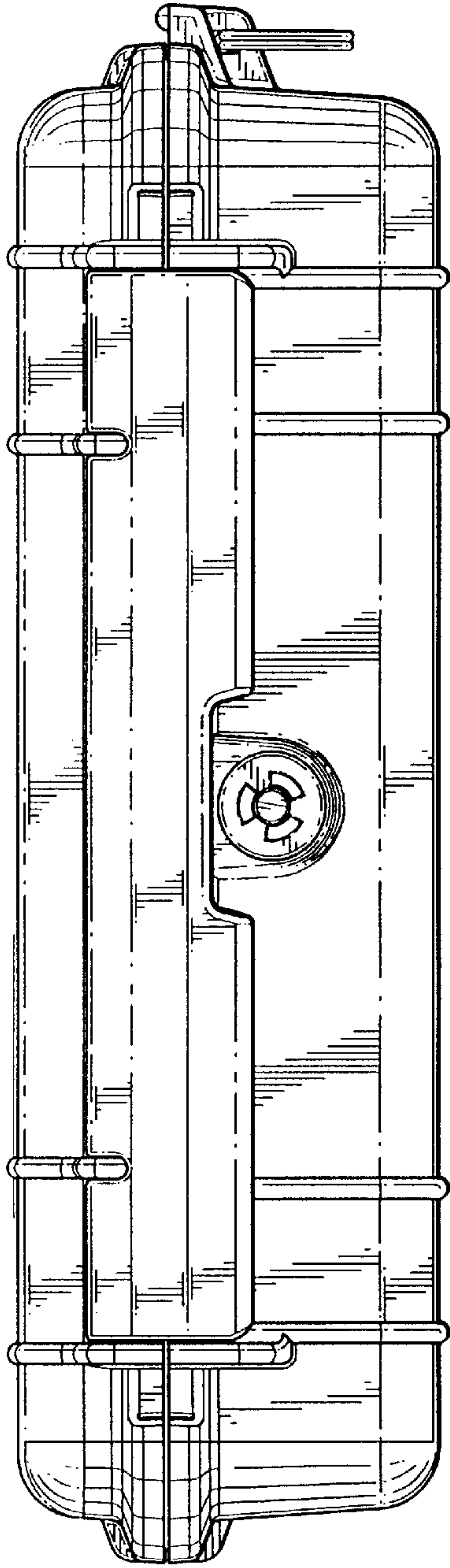


FIG. 4

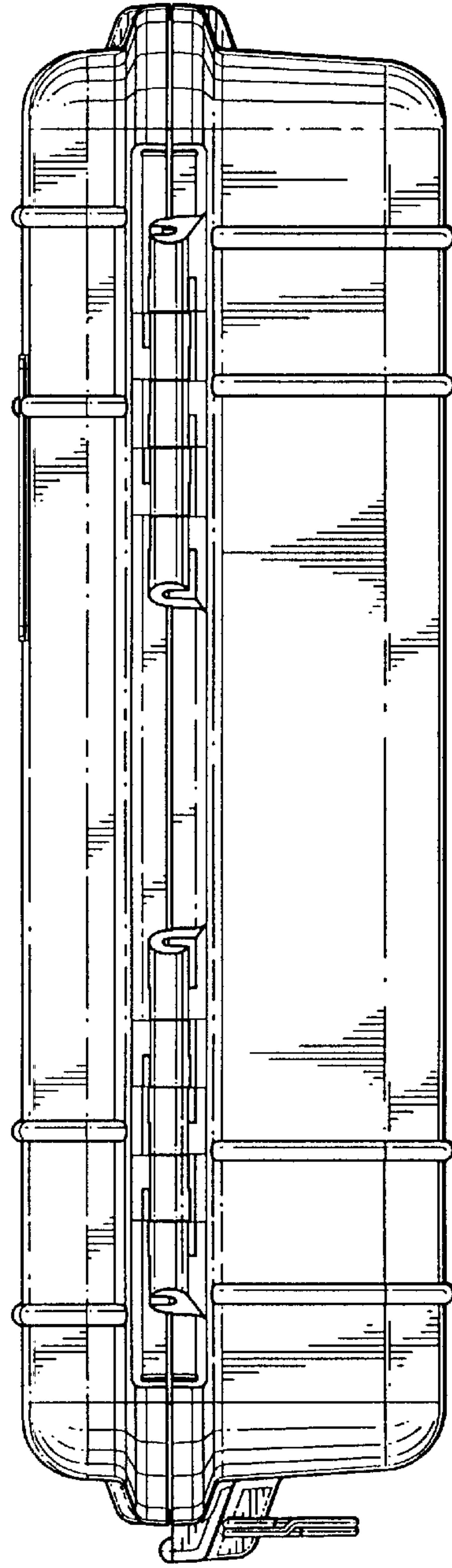


FIG. 5

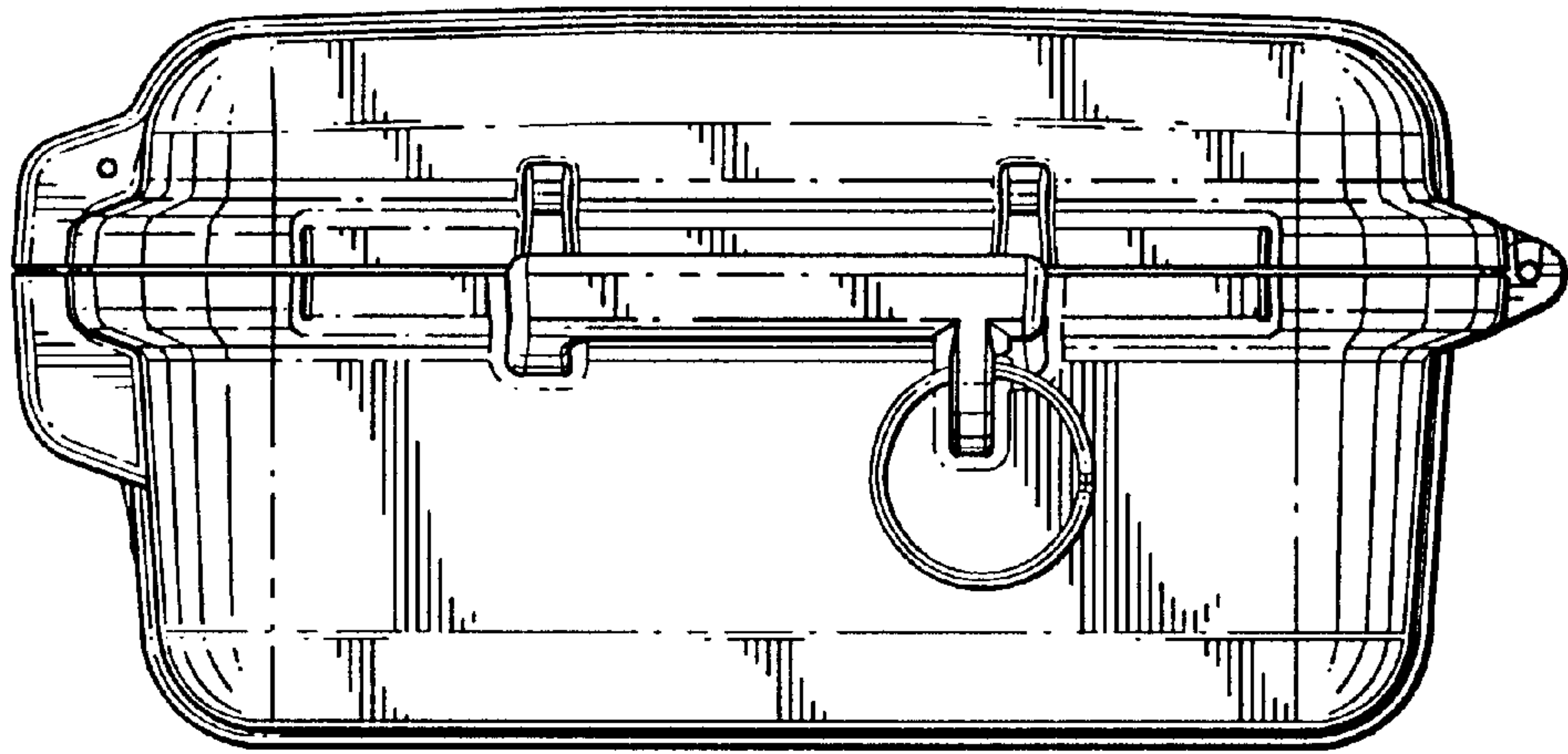


FIG. 6

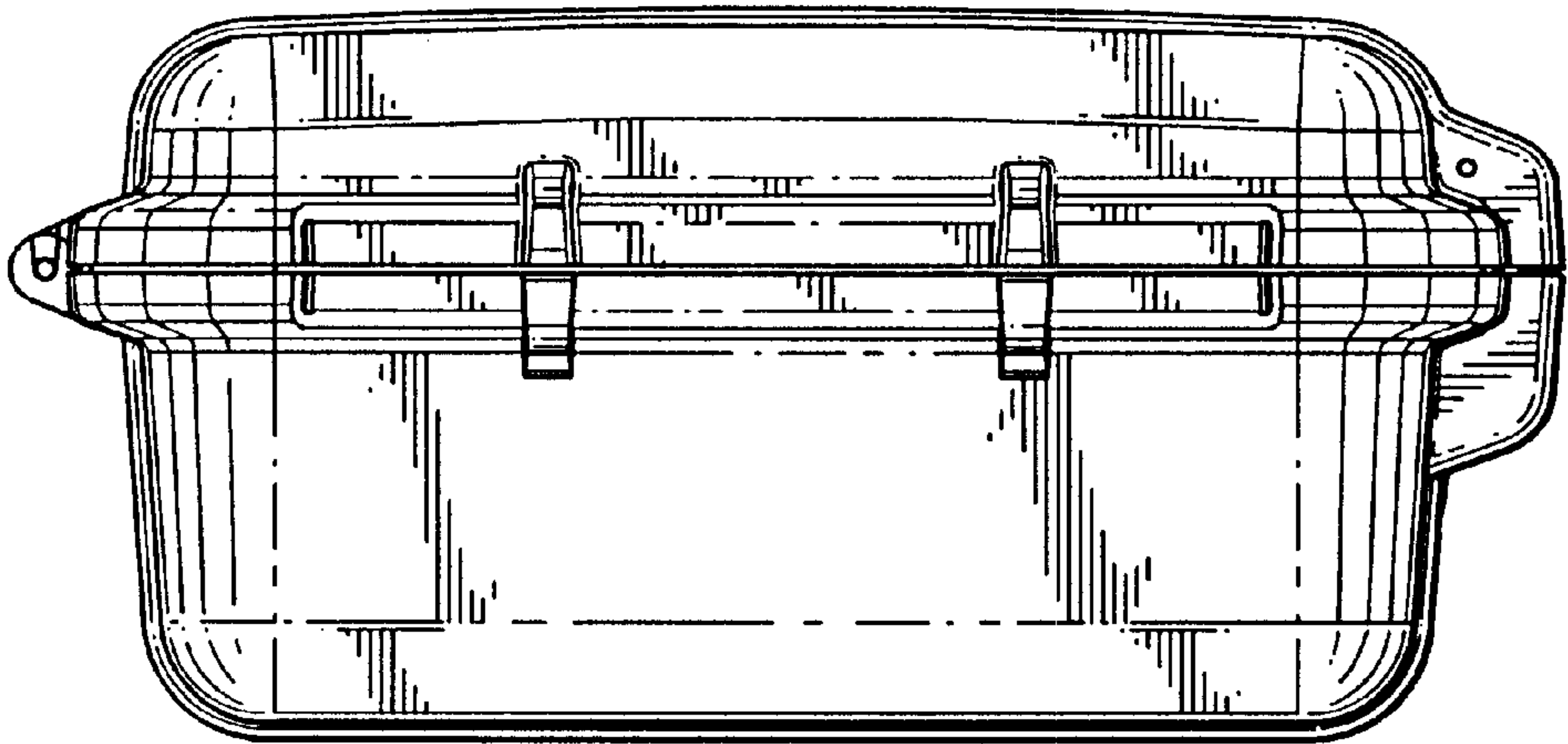


FIG. 7

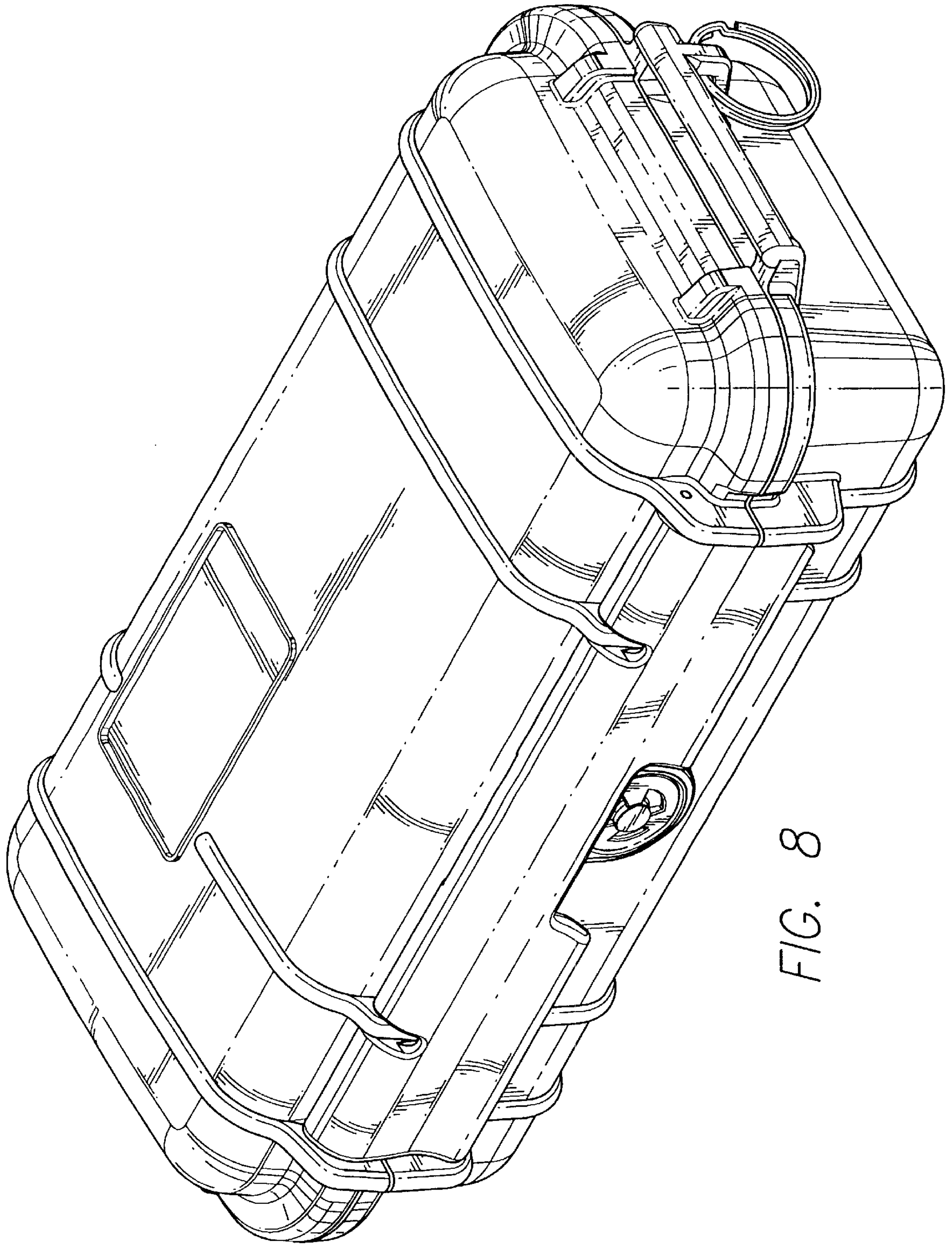


FIG. 8

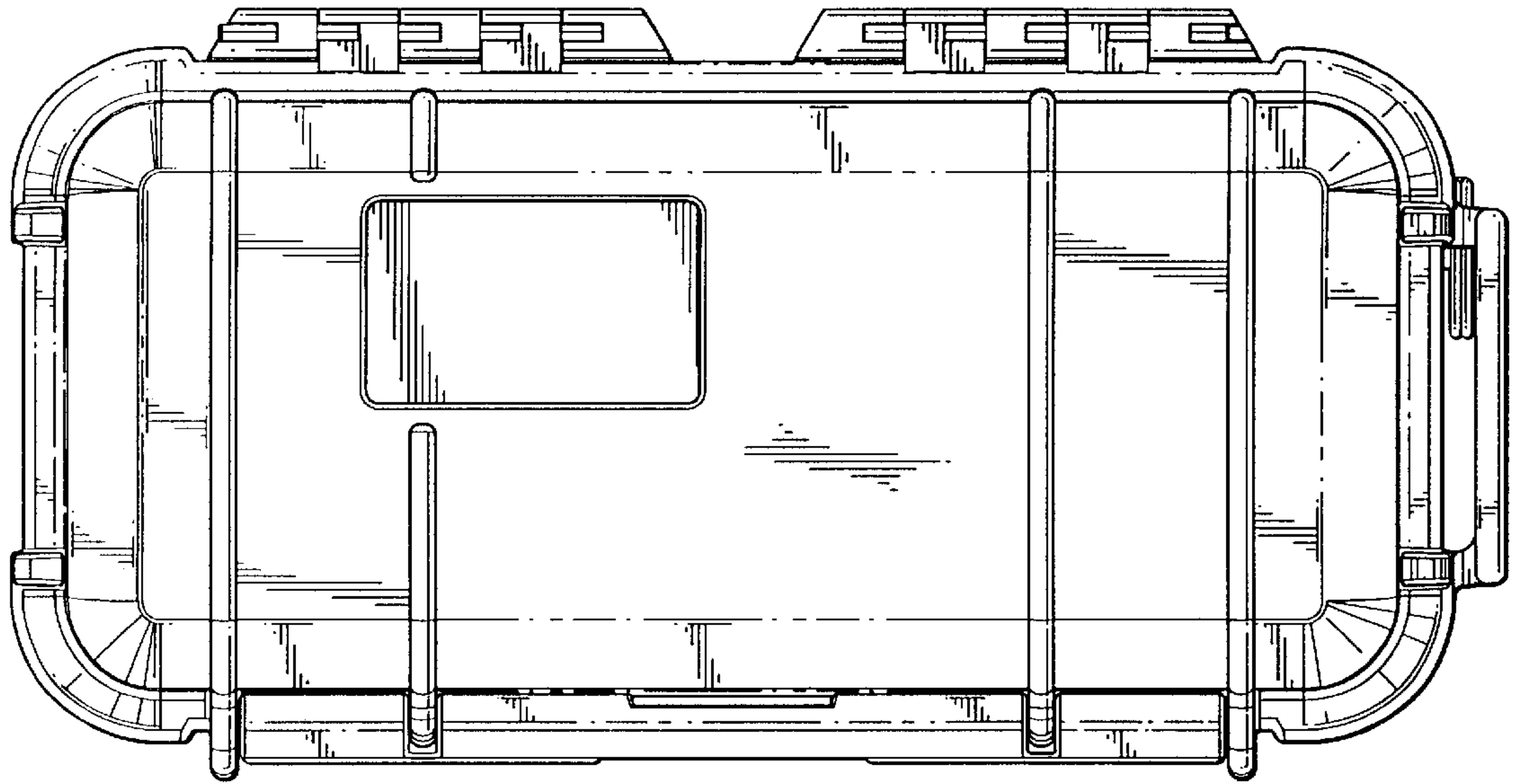


FIG. 9

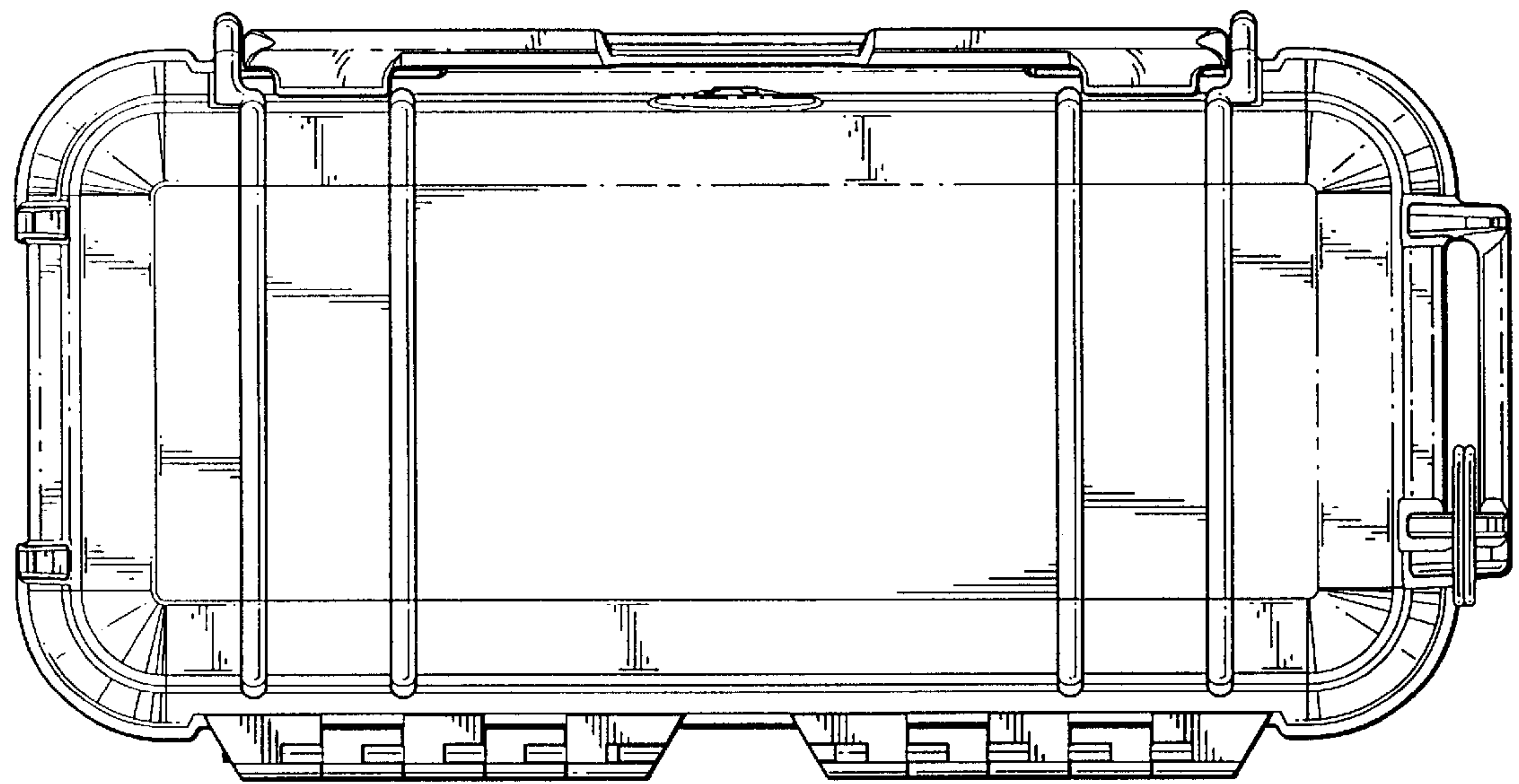


FIG. 10

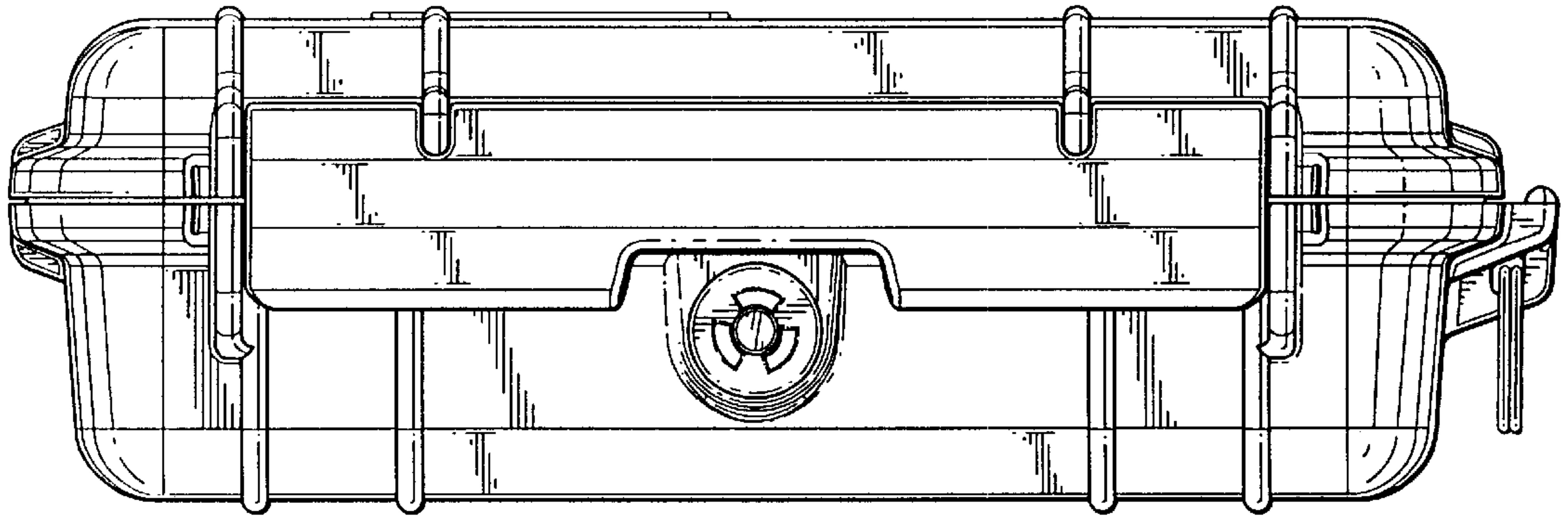


FIG. 11

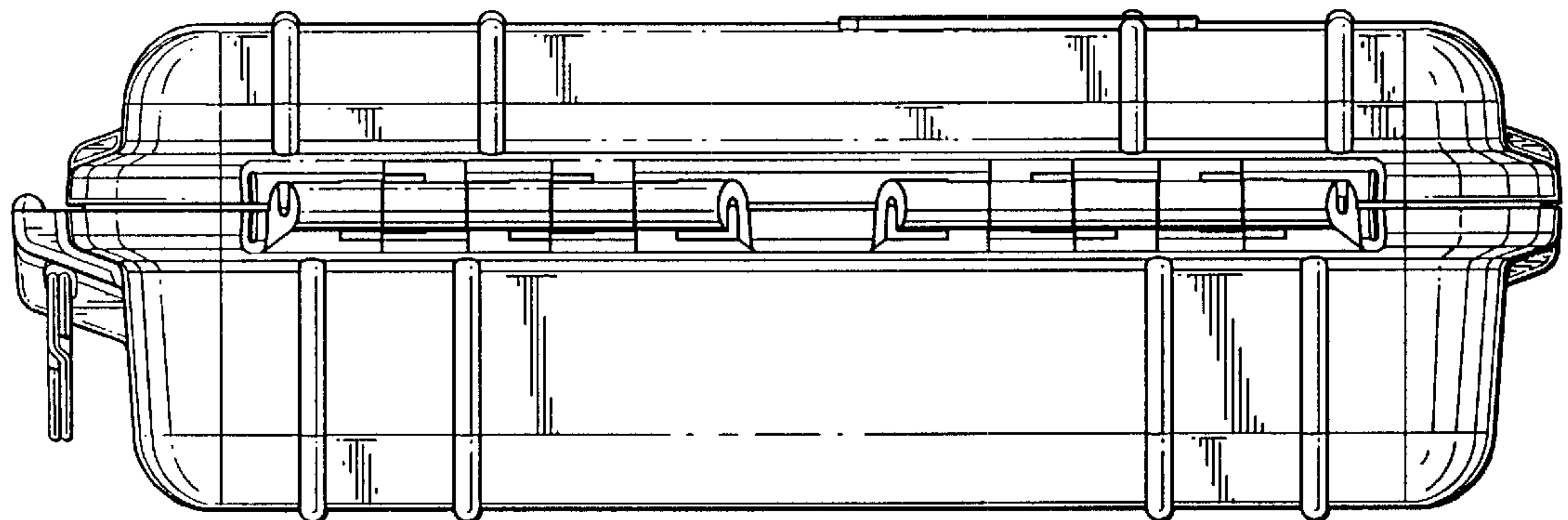


FIG. 12

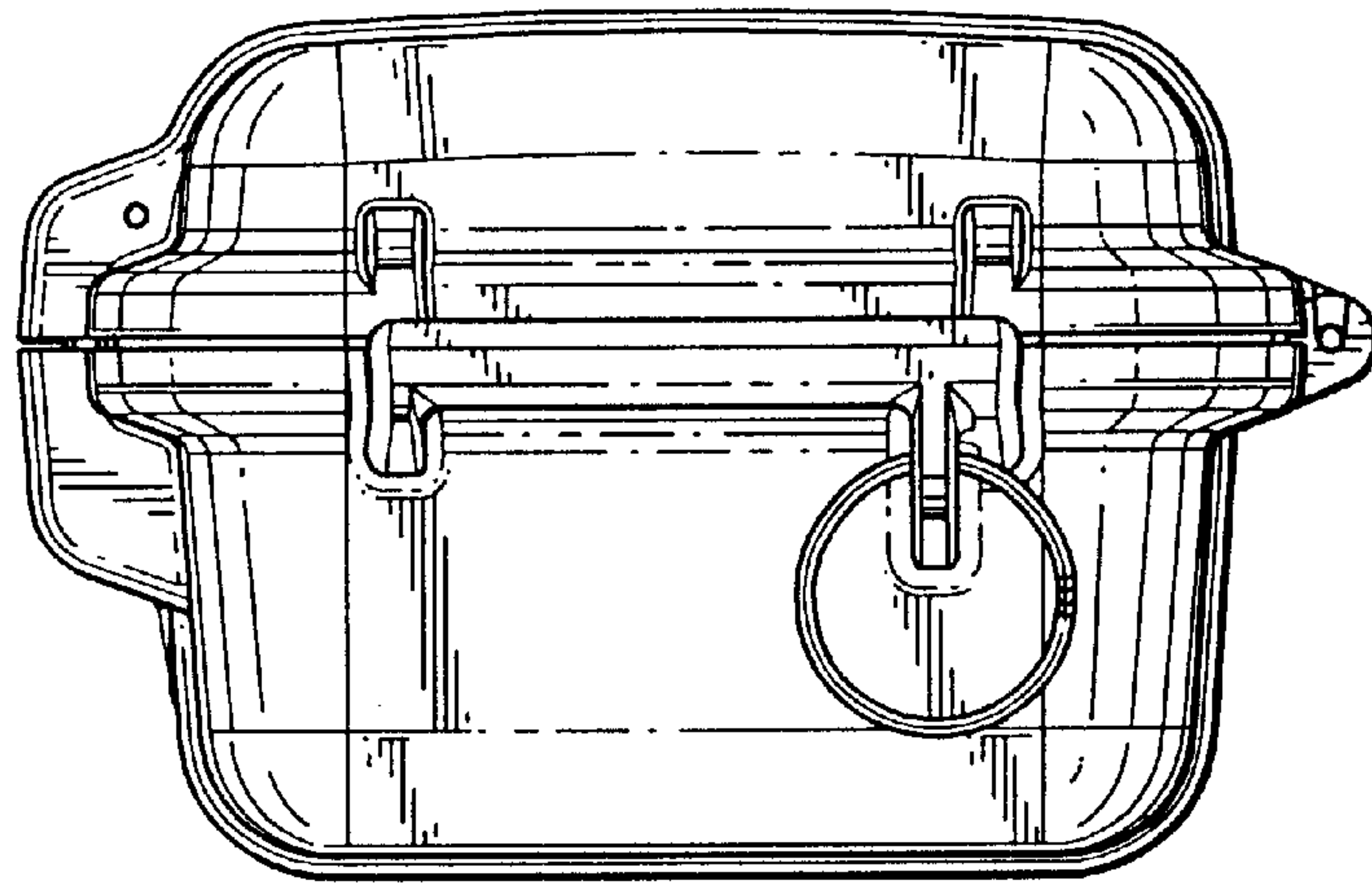


FIG. 13

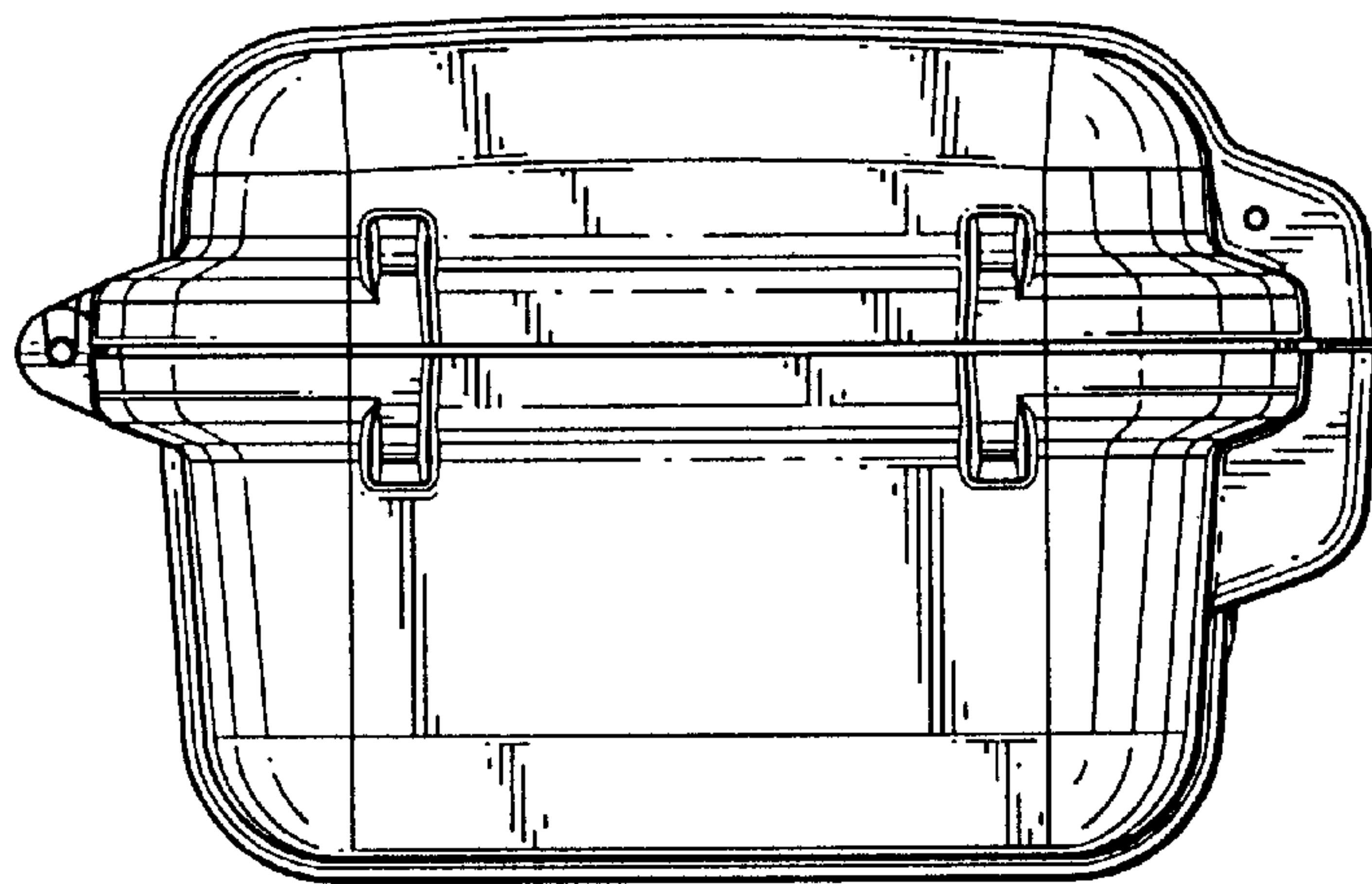


FIG. 14

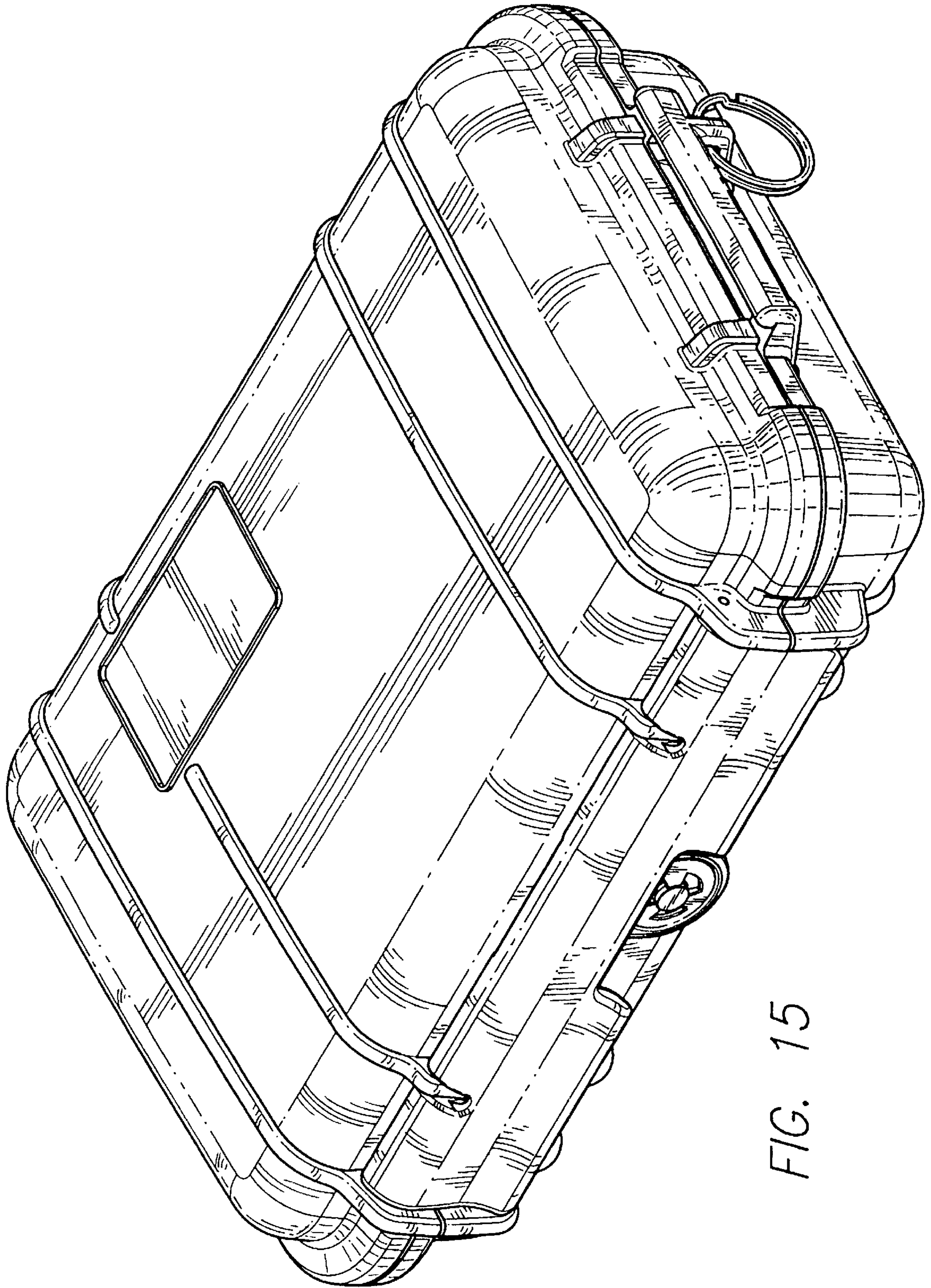


FIG. 15

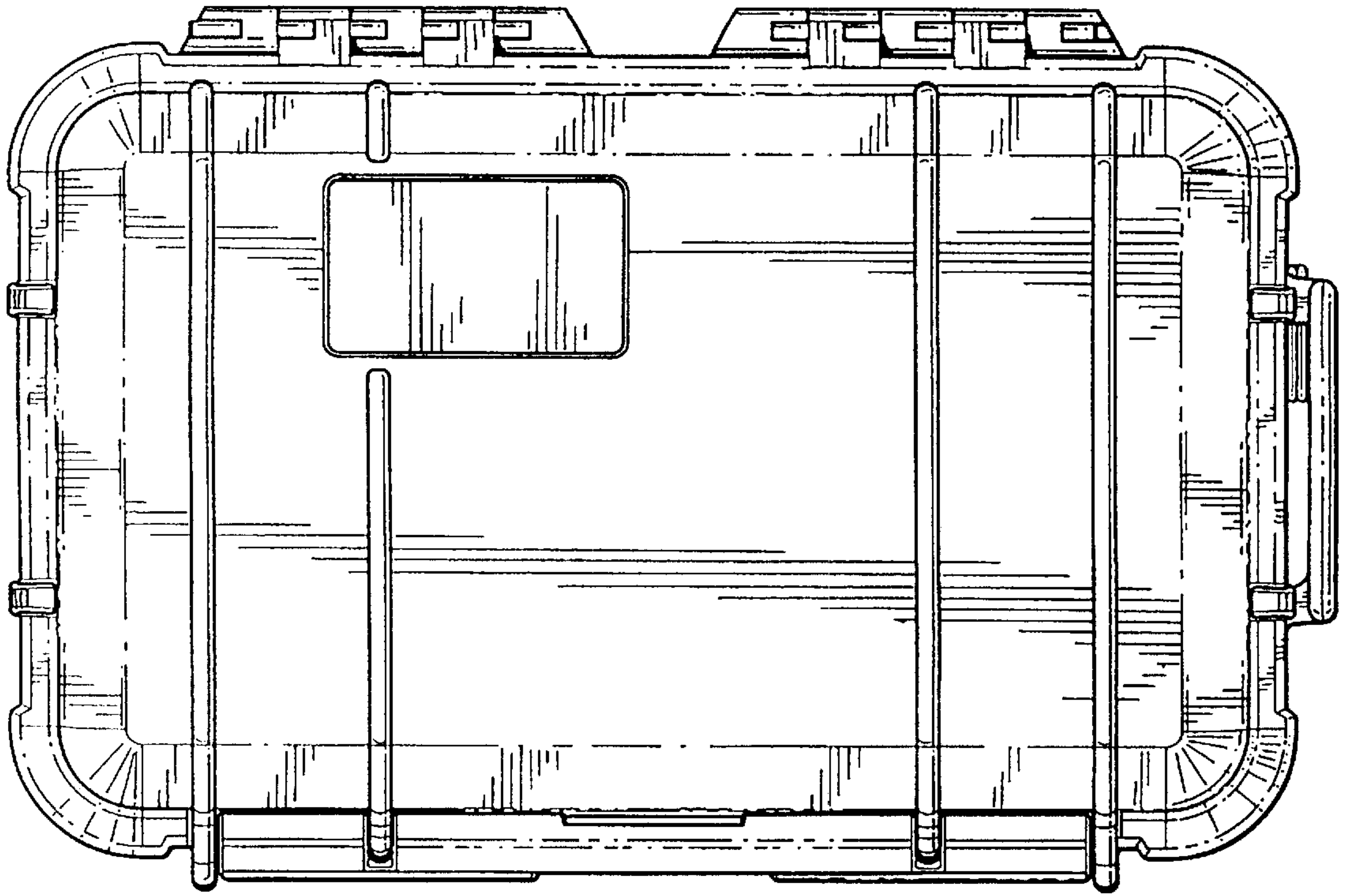


FIG. 16

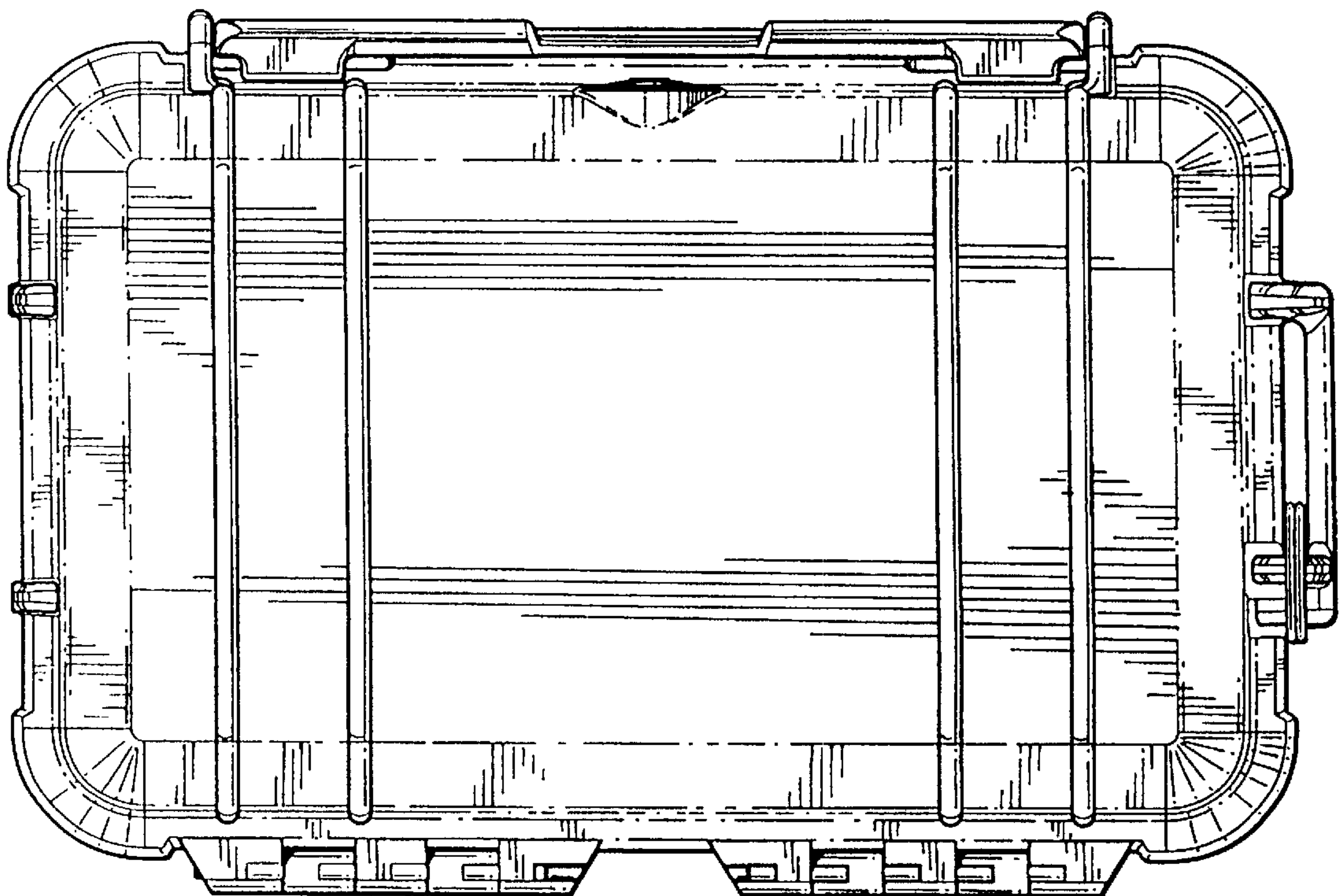


FIG. 17

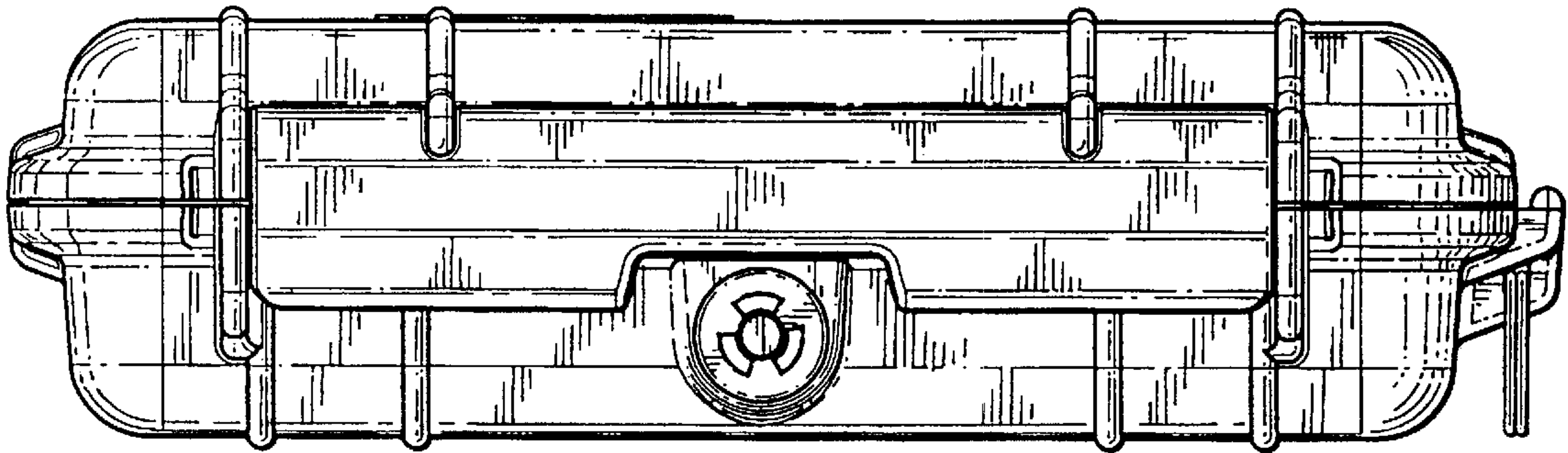


FIG. 18

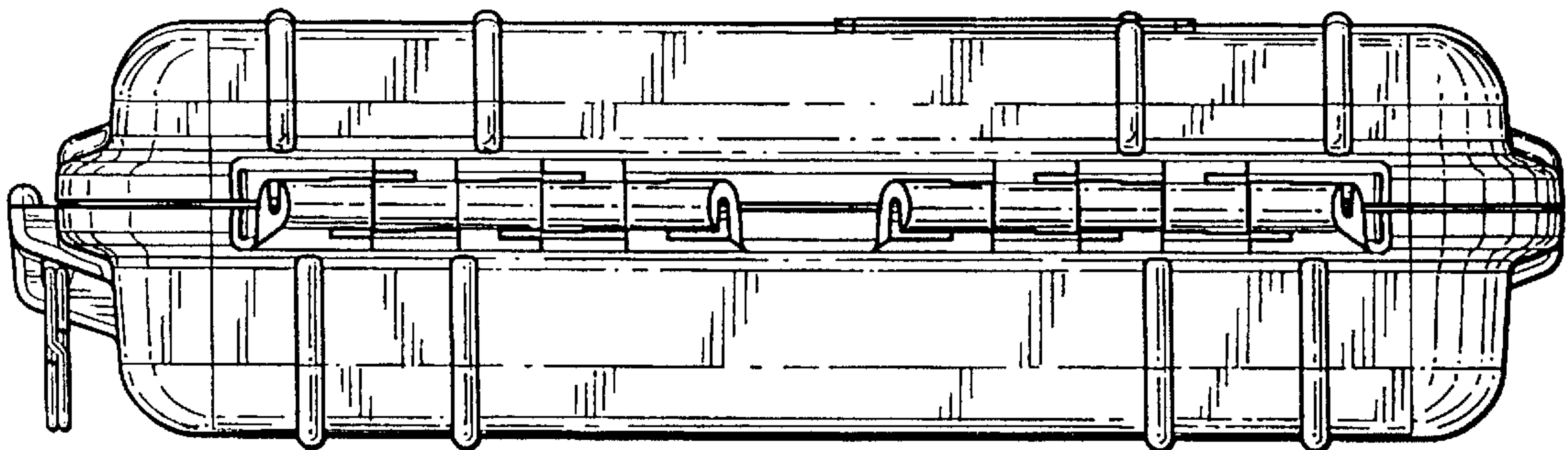


FIG. 19

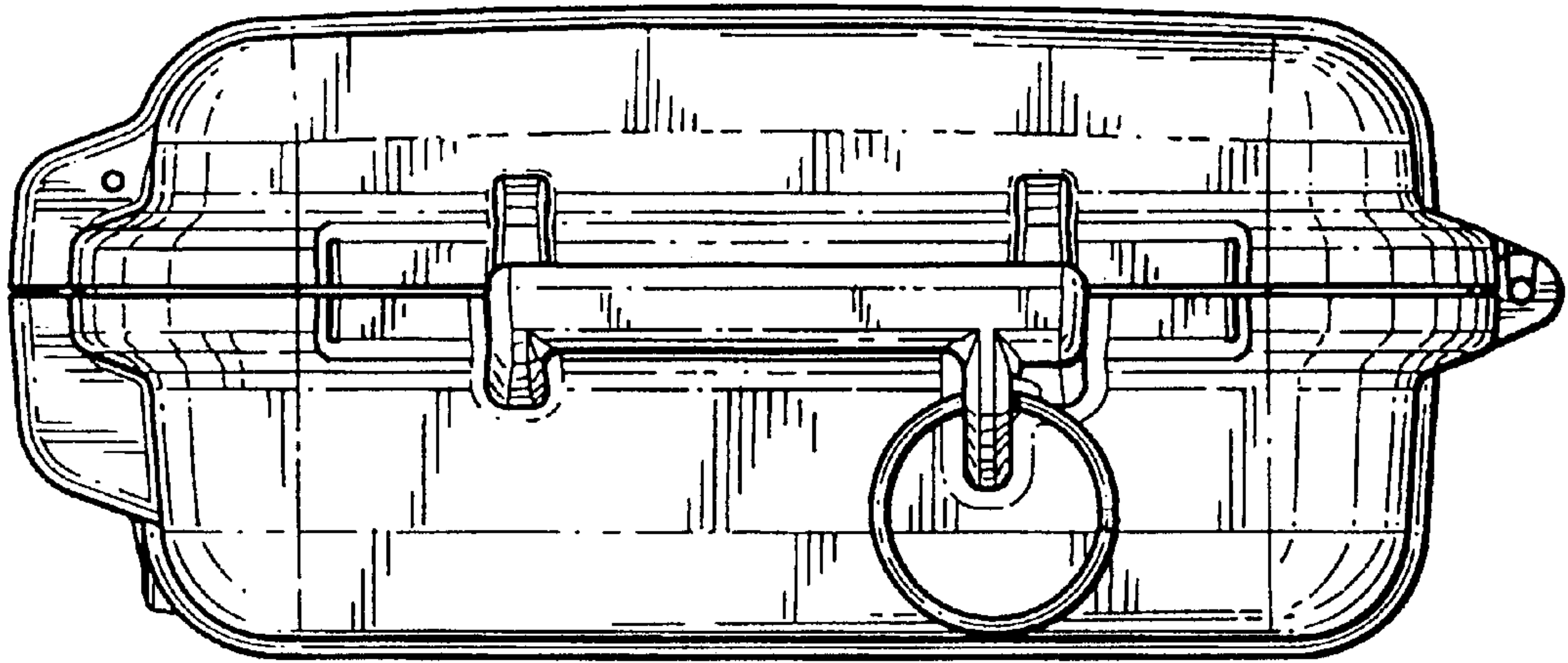


FIG. 20

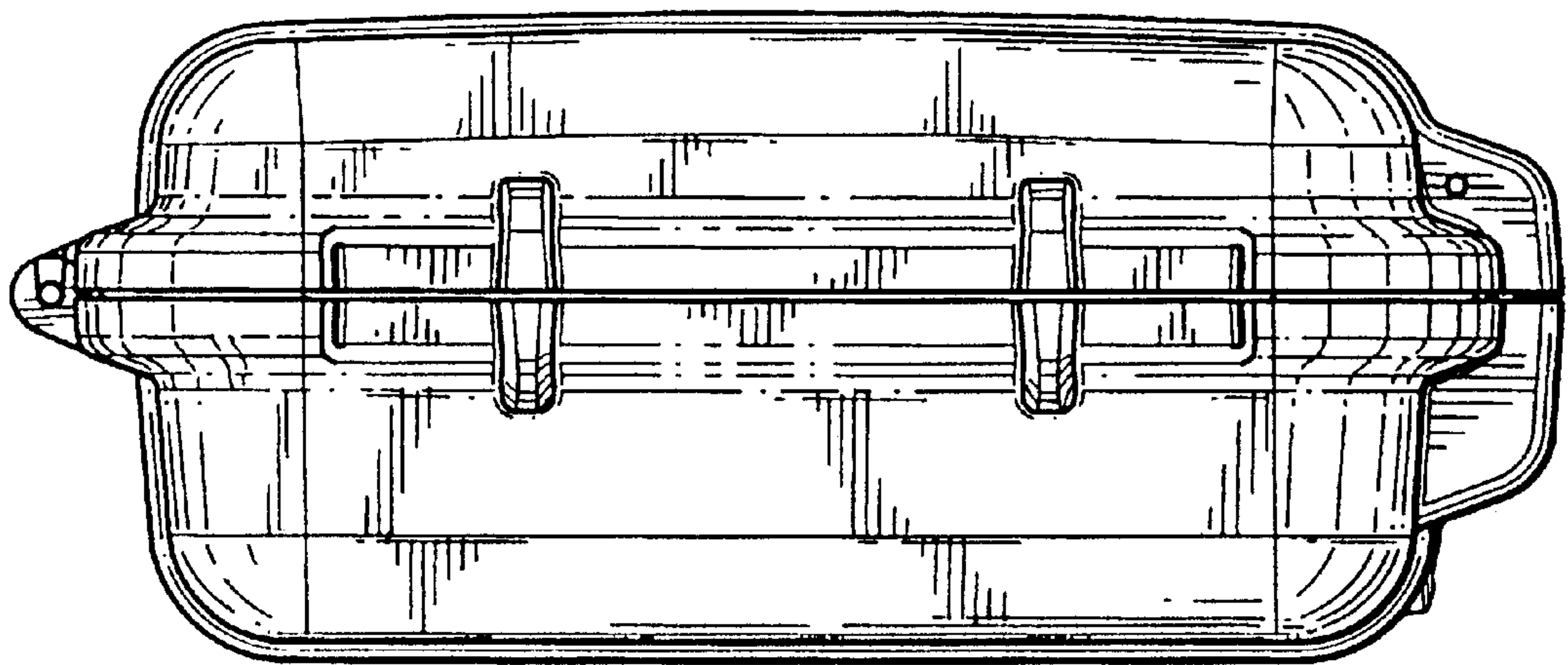


FIG. 21

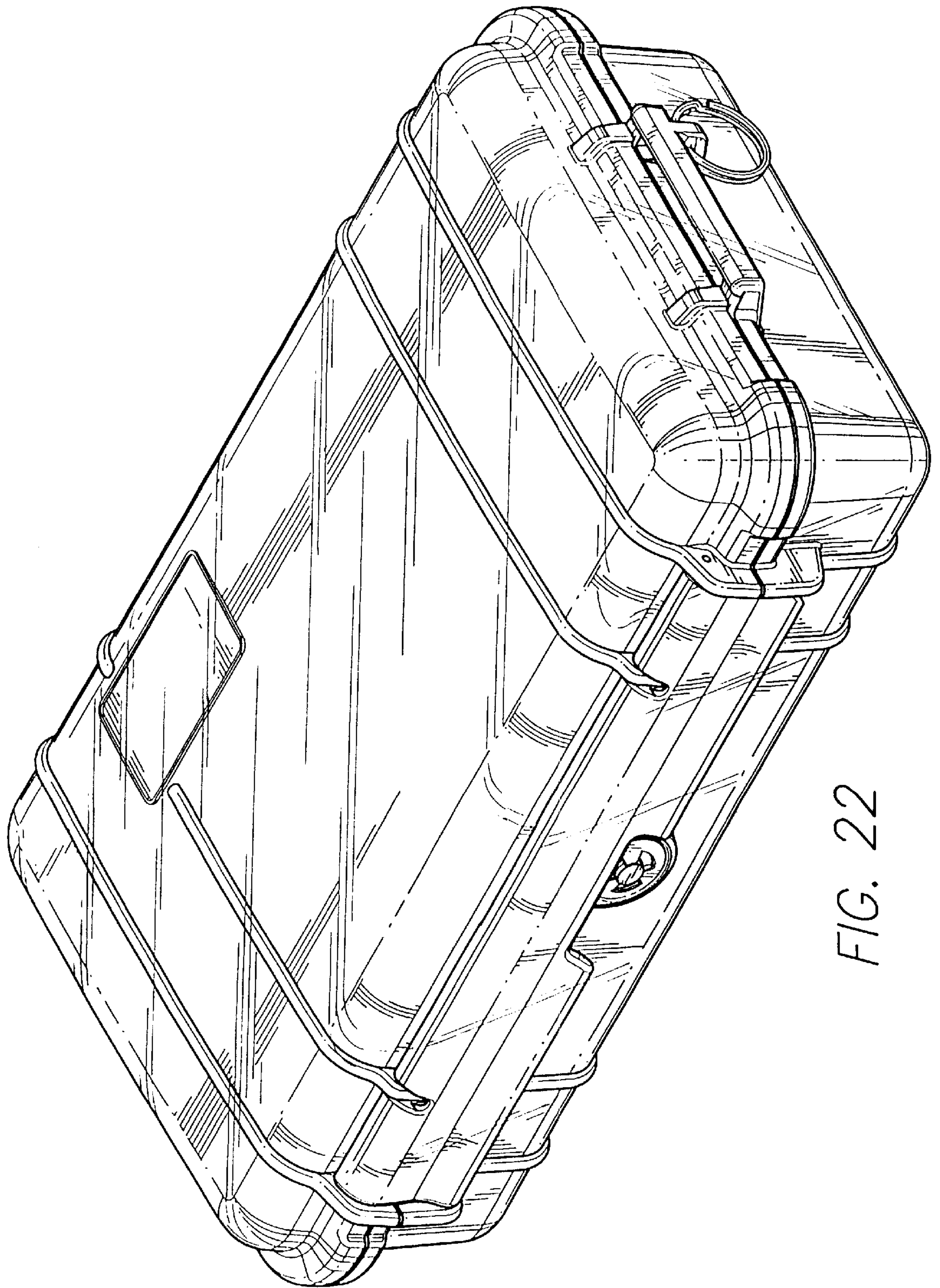


FIG. 22

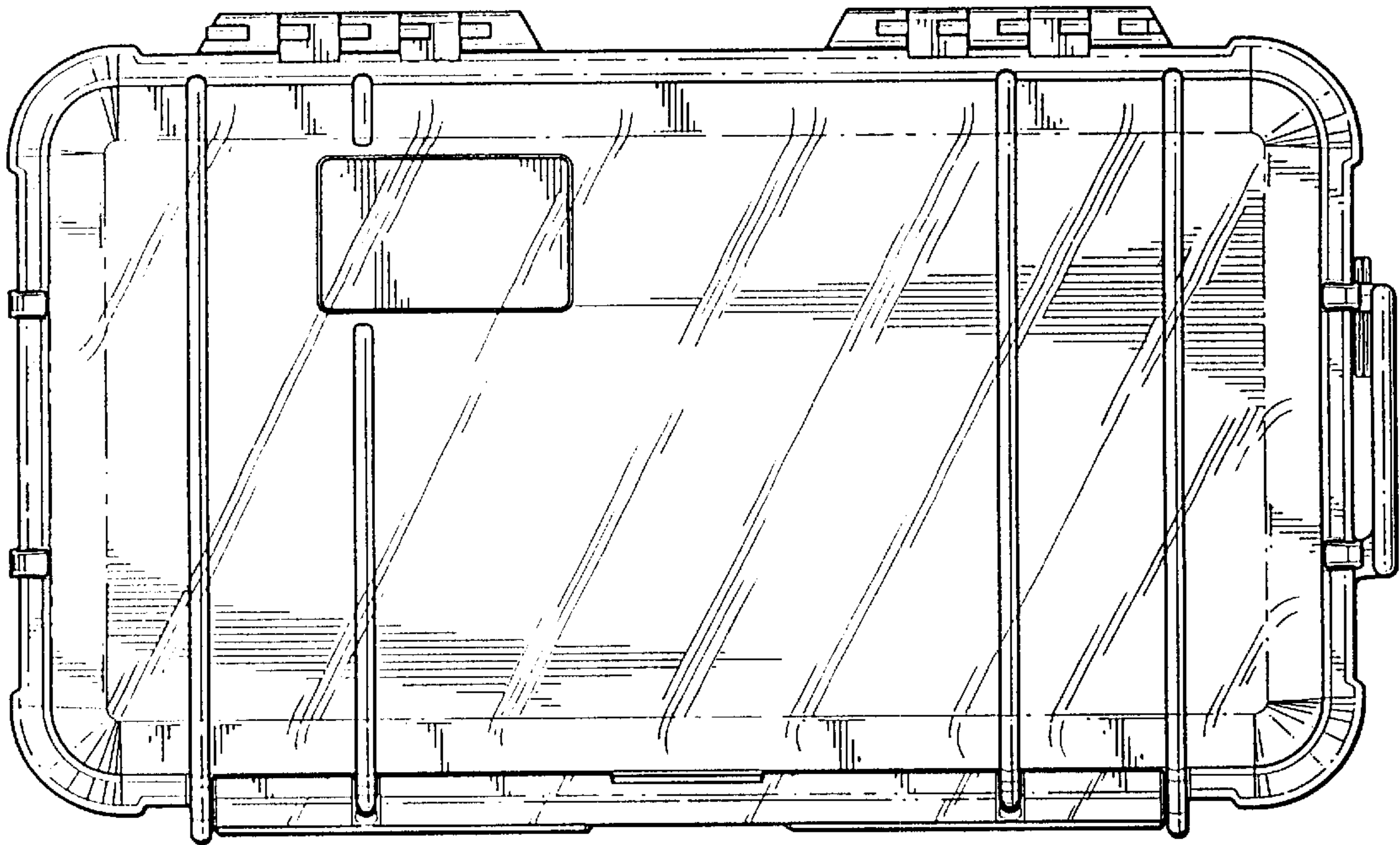


FIG. 23

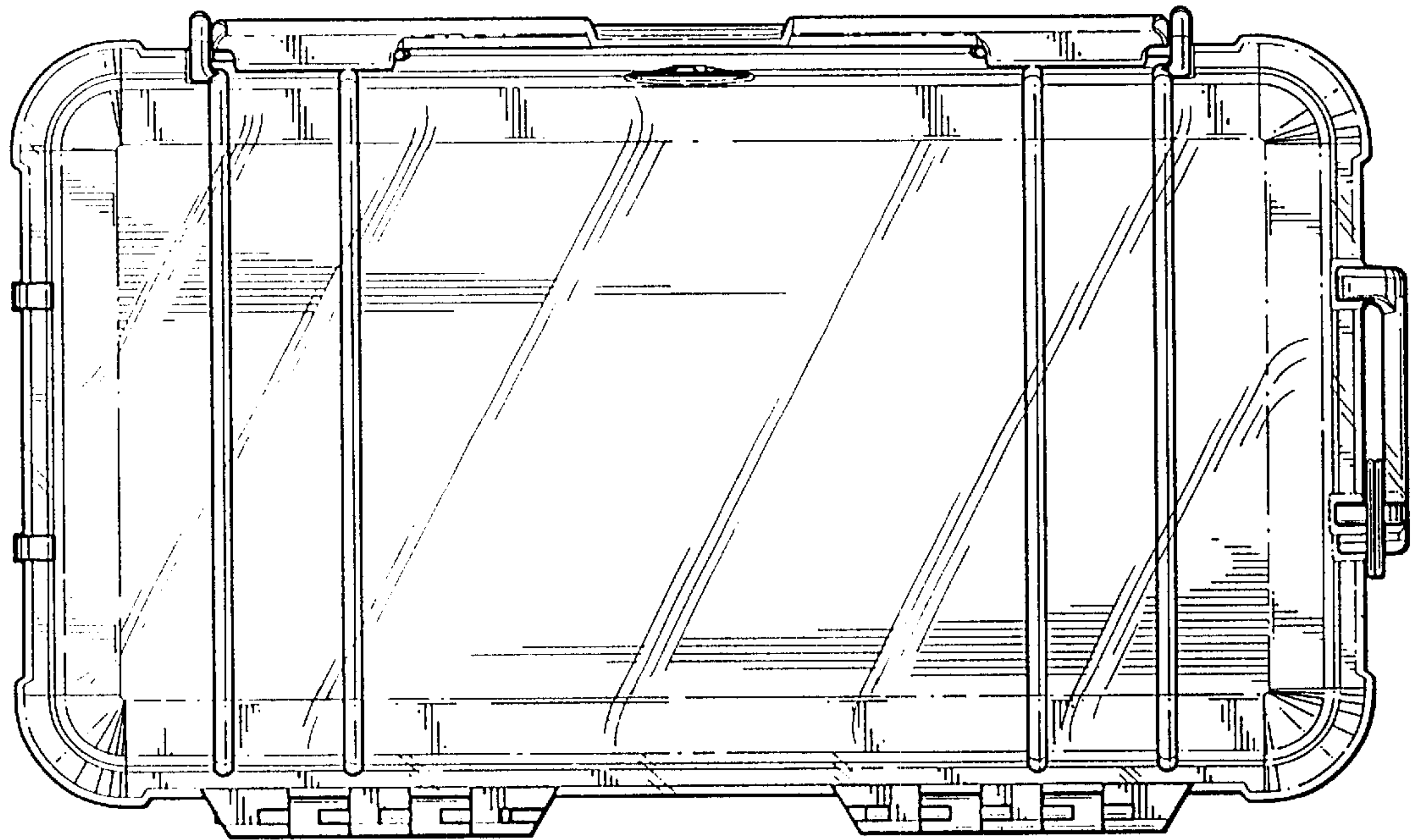


FIG. 24

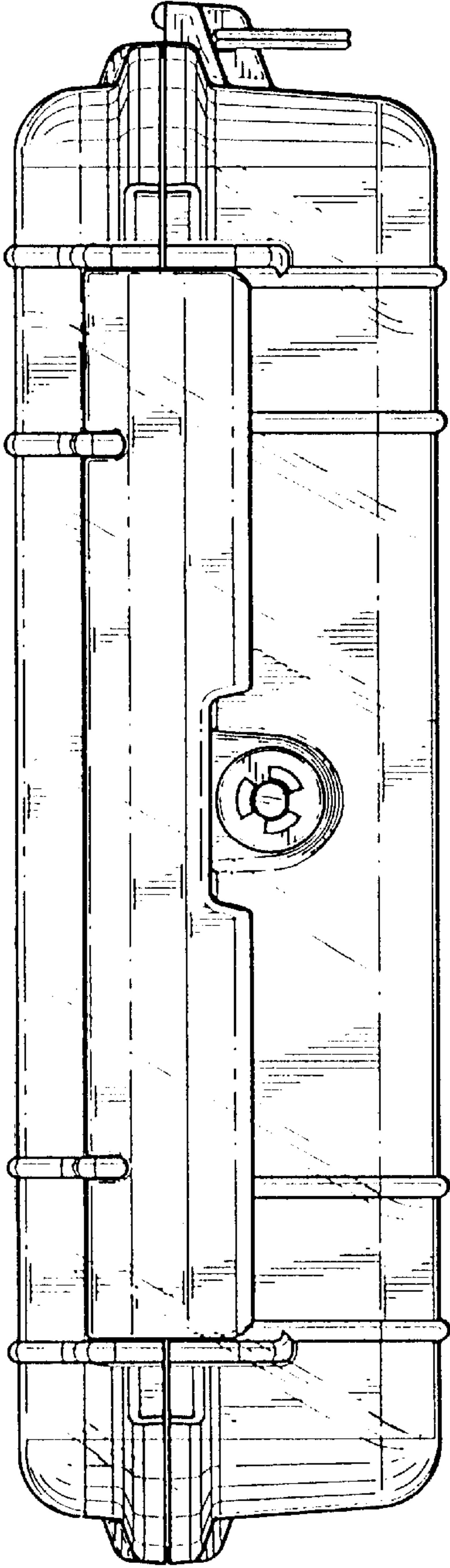


FIG. 25

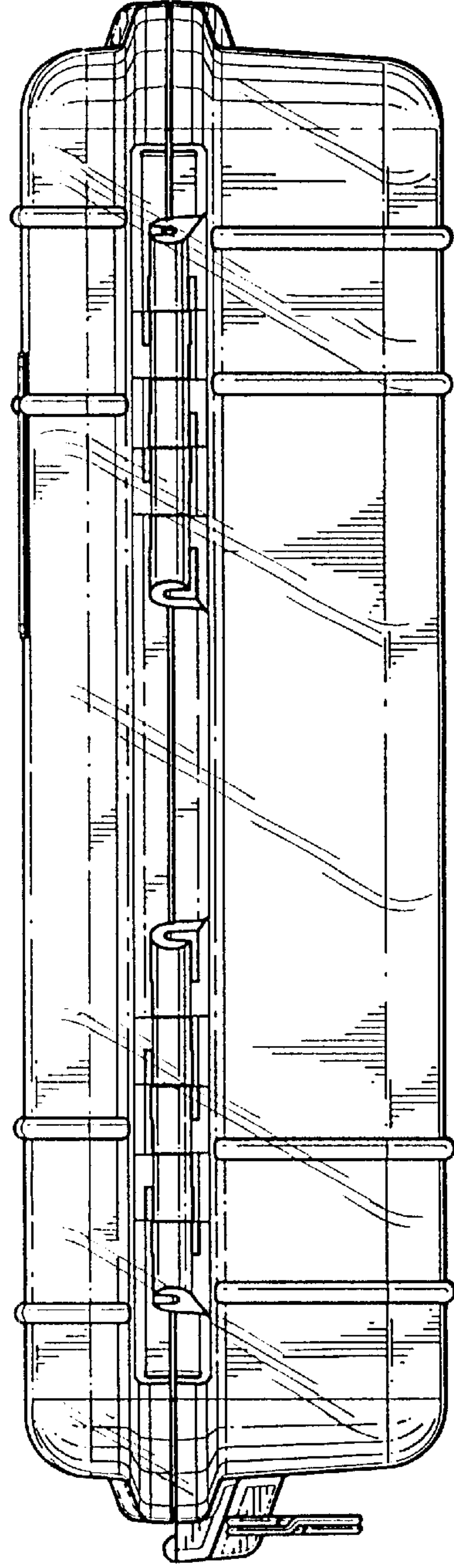


FIG. 26

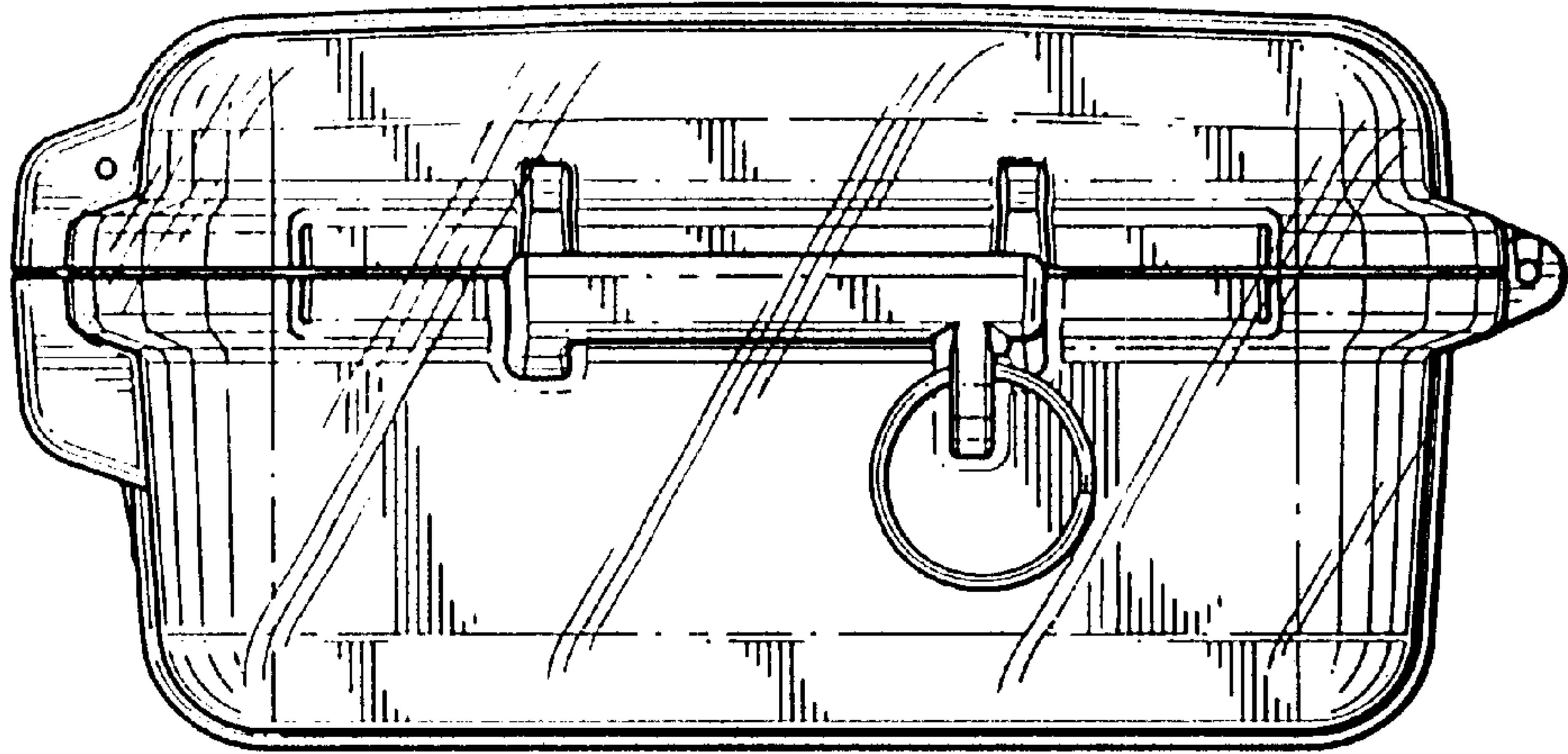


FIG. 27

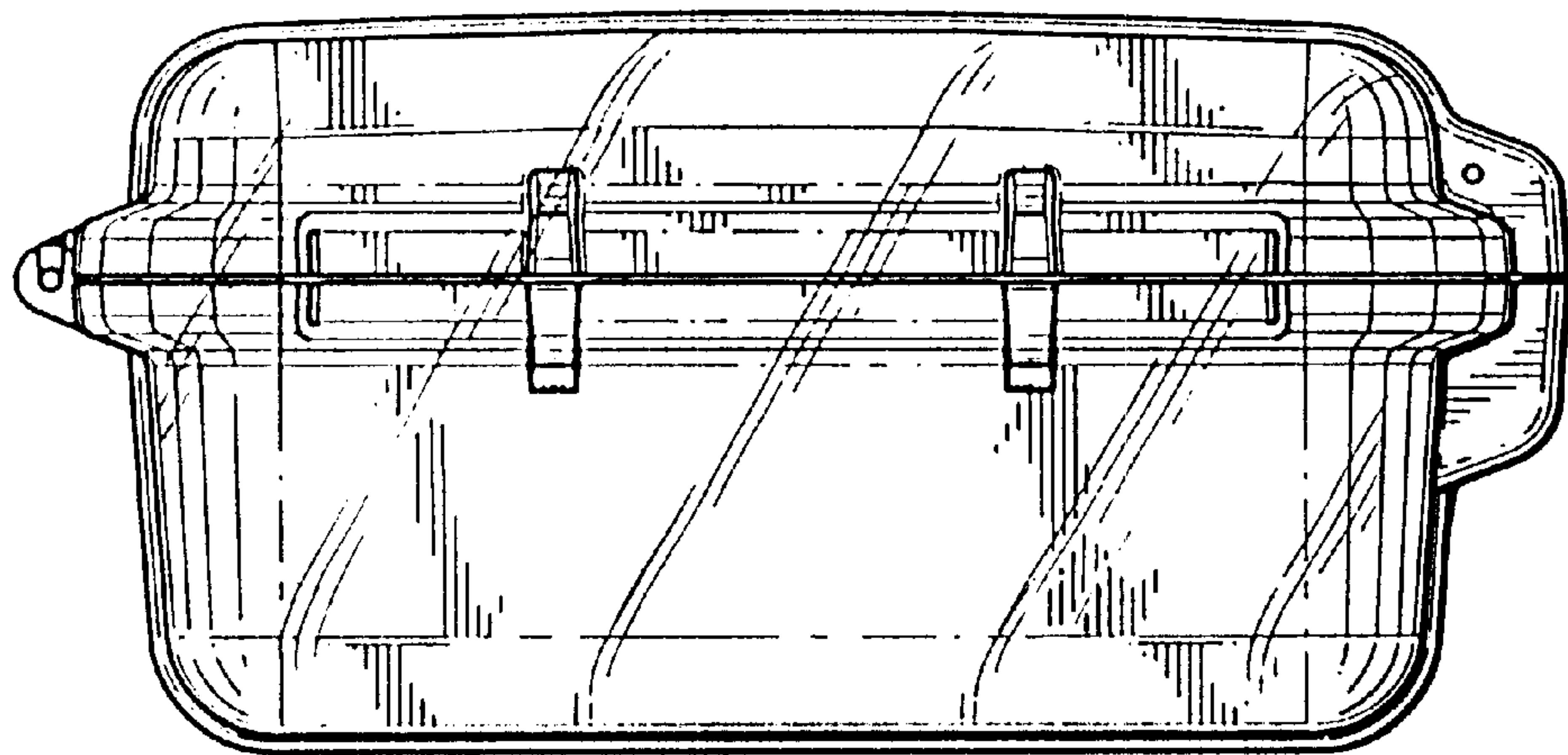


FIG. 28

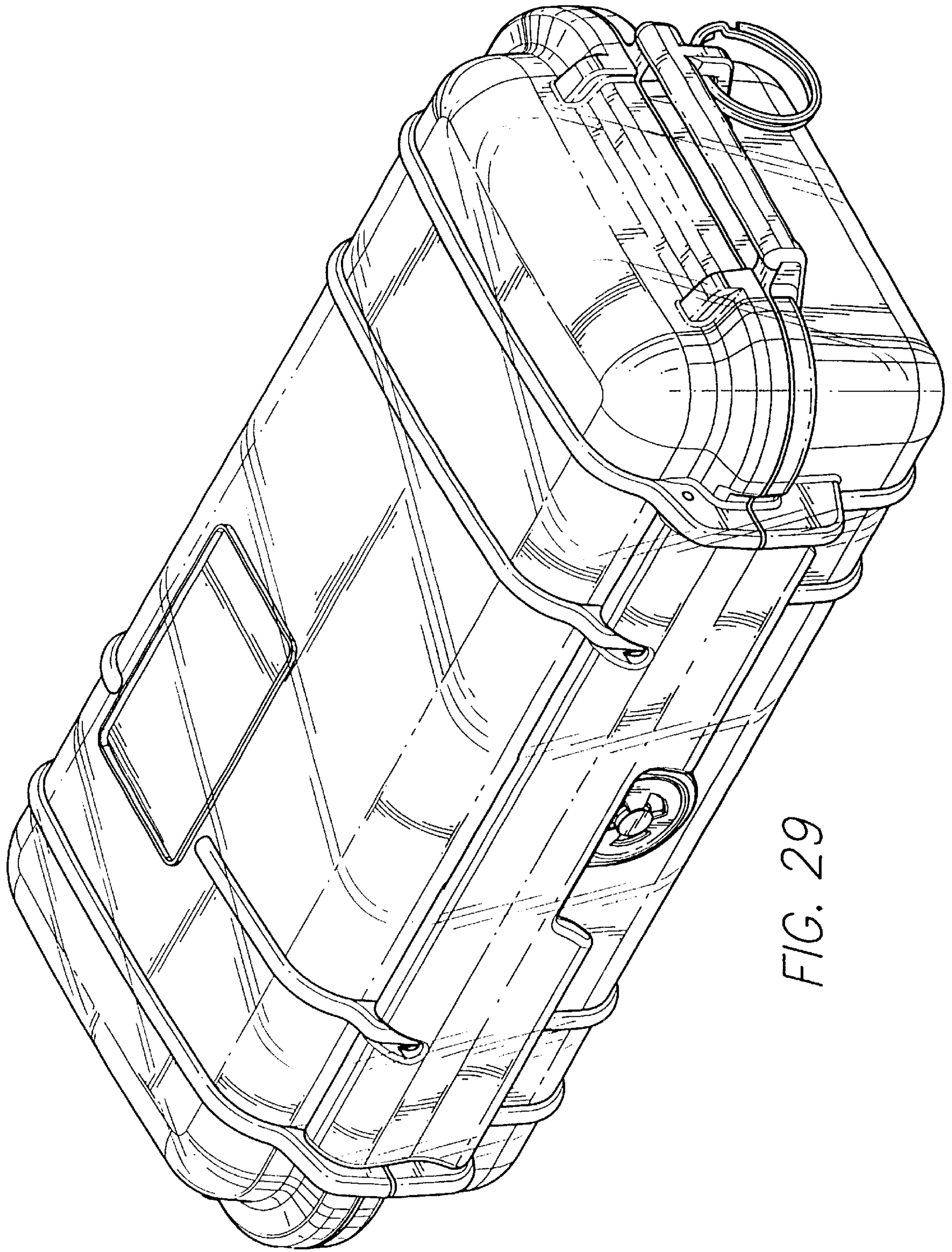


FIG. 29

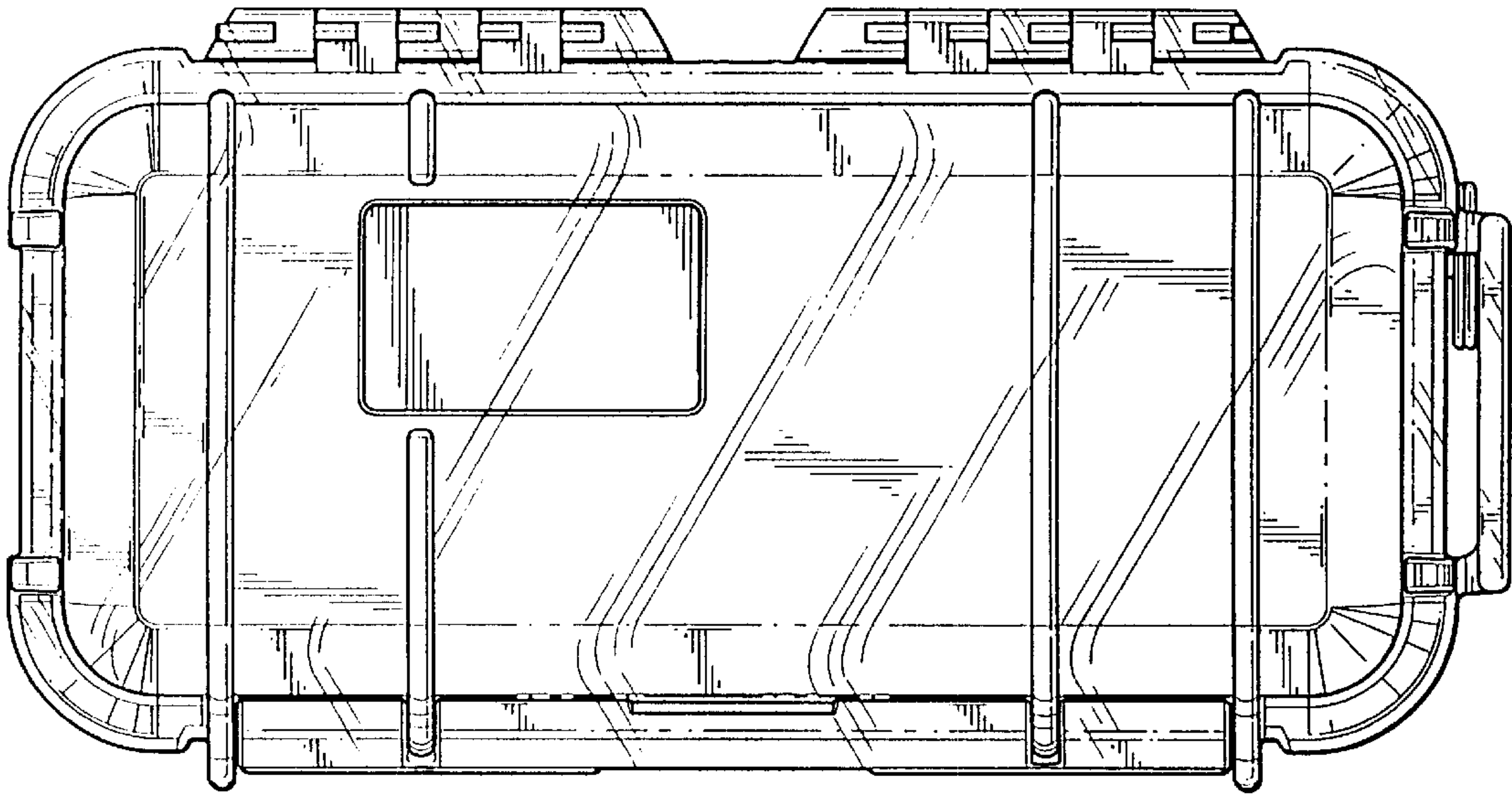


FIG. 30

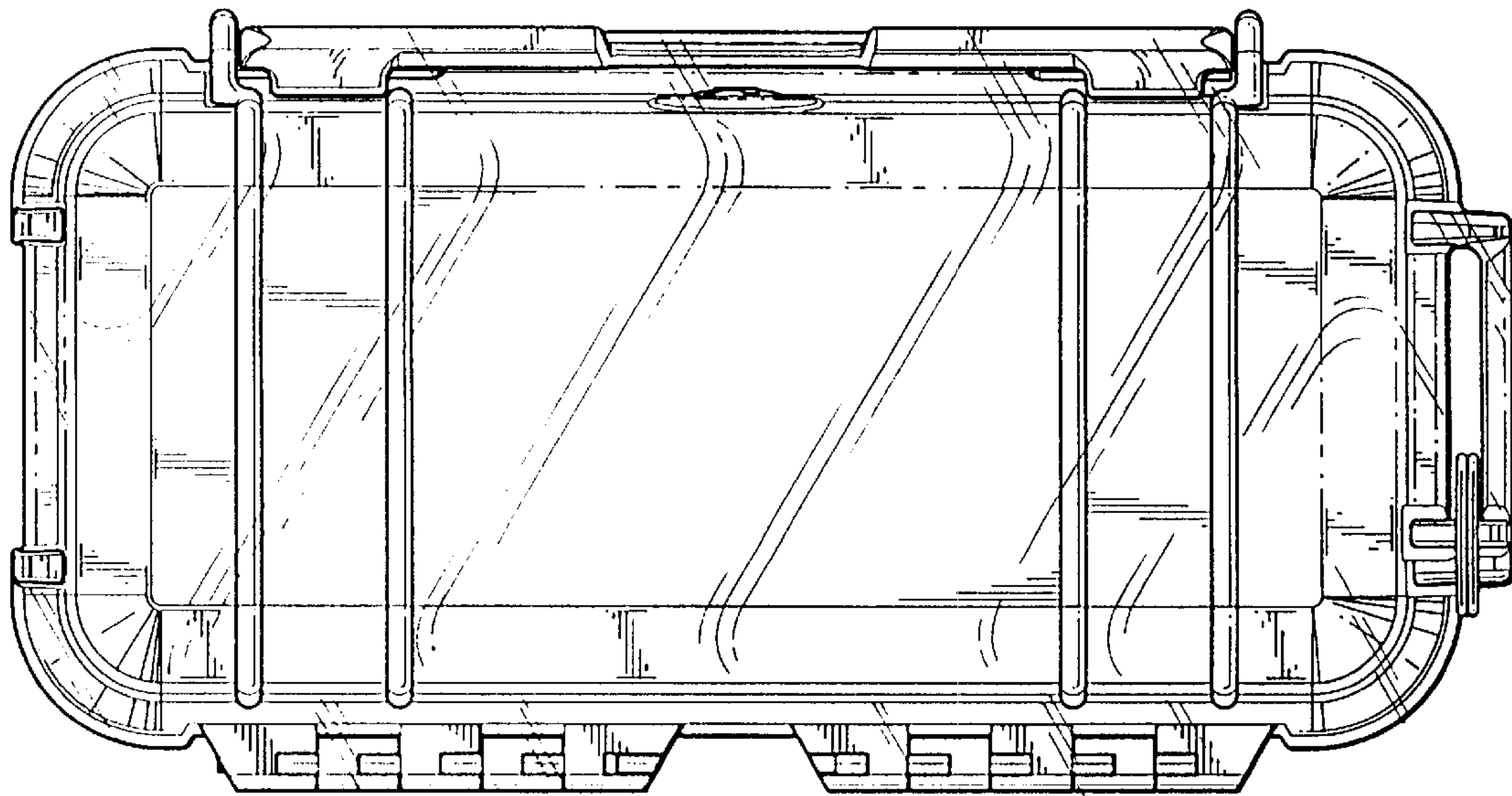


FIG. 31

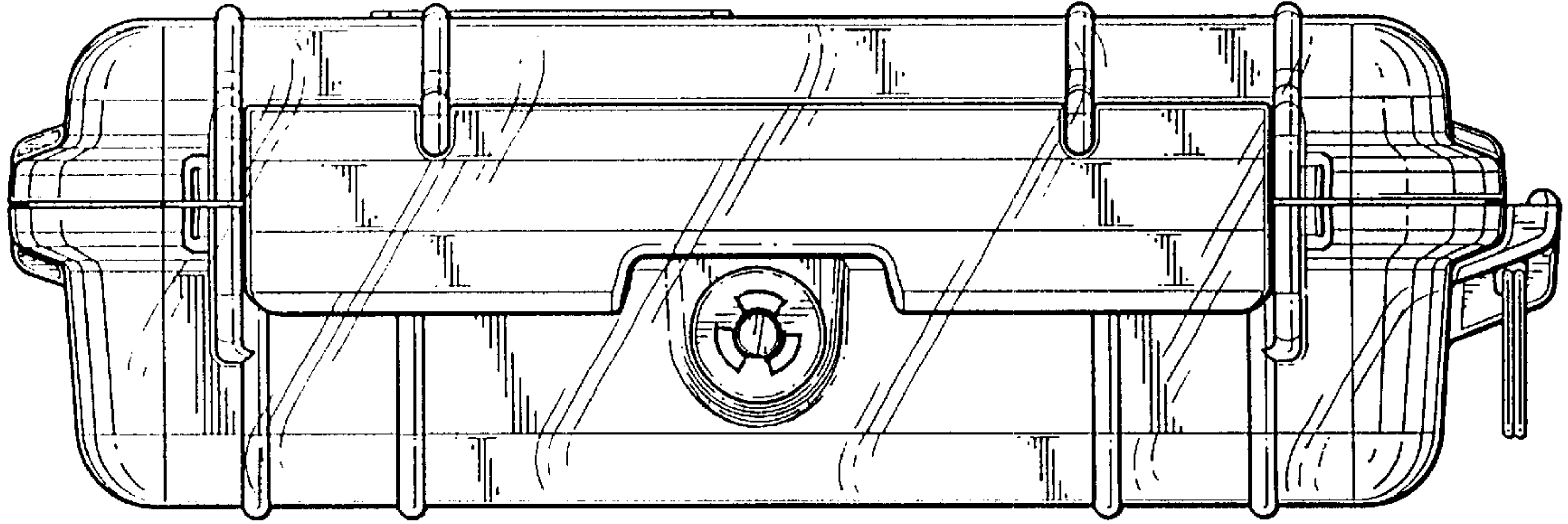


FIG. 32

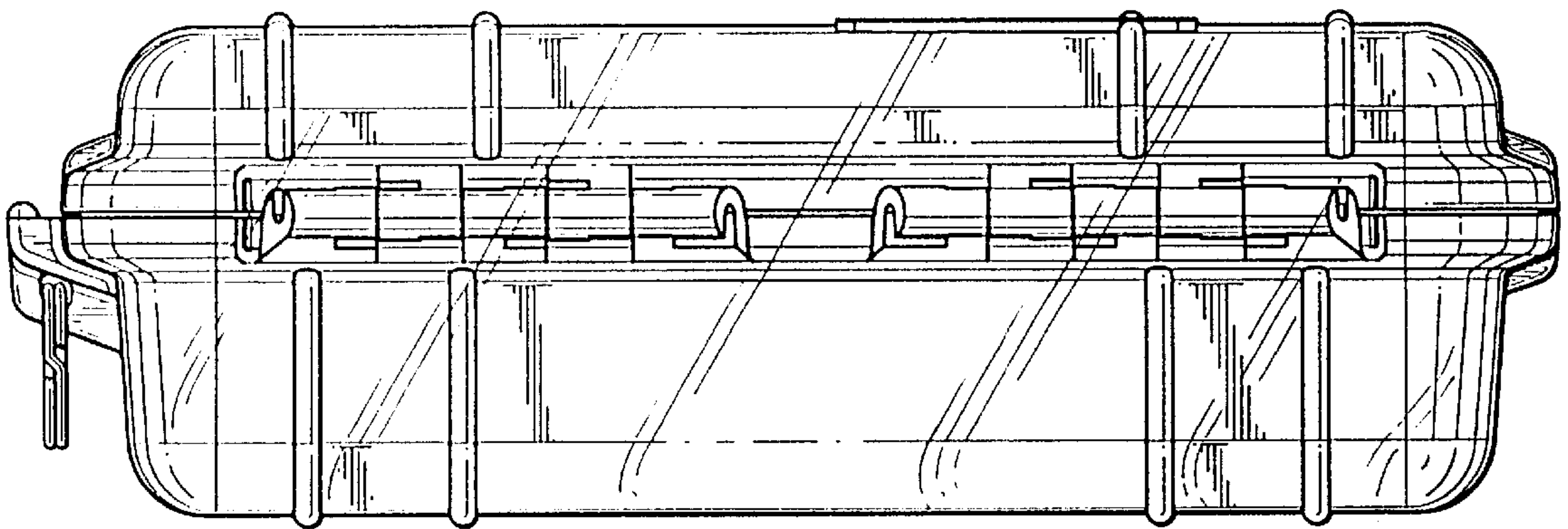


FIG. 33

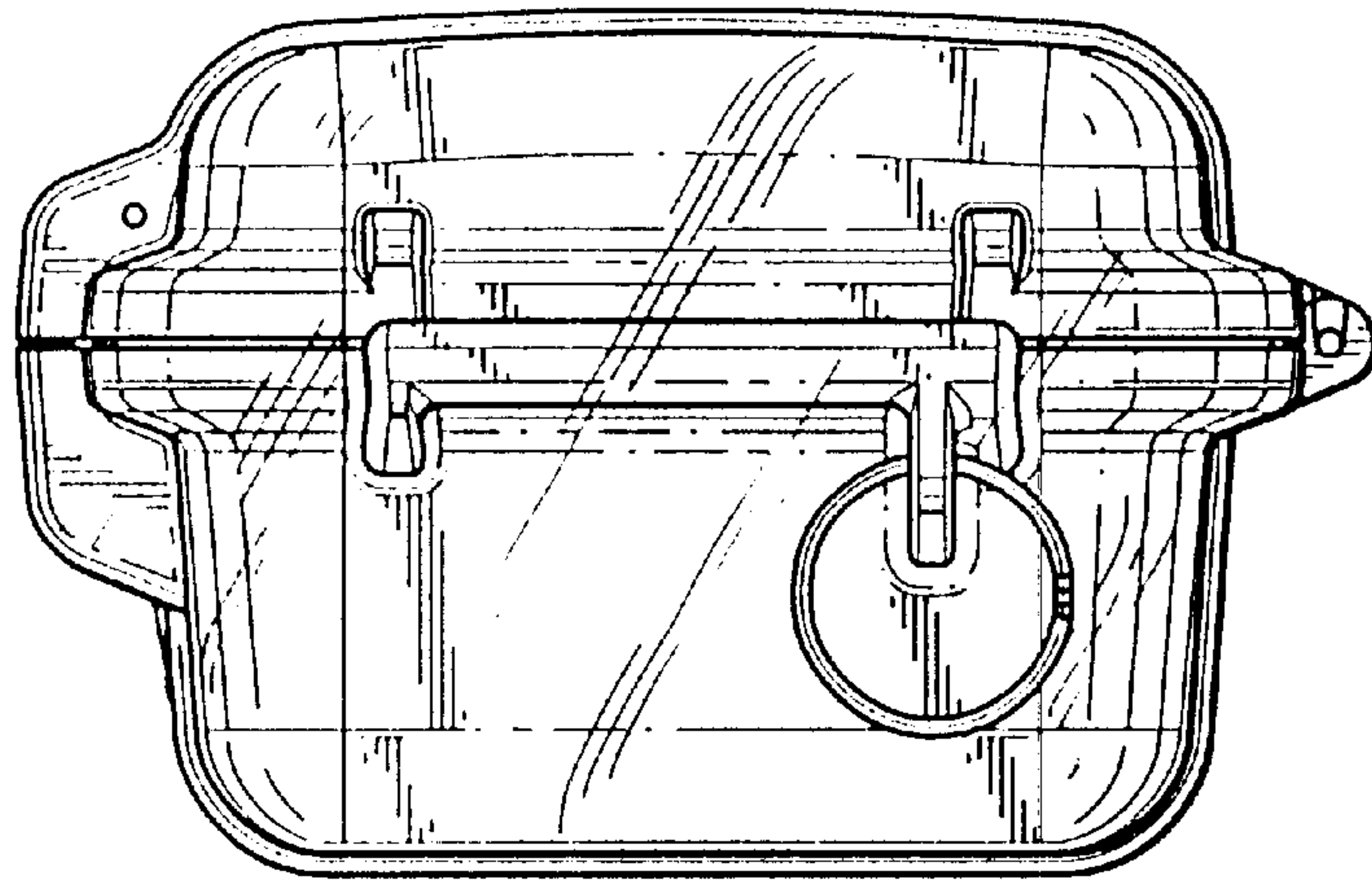


FIG. 34

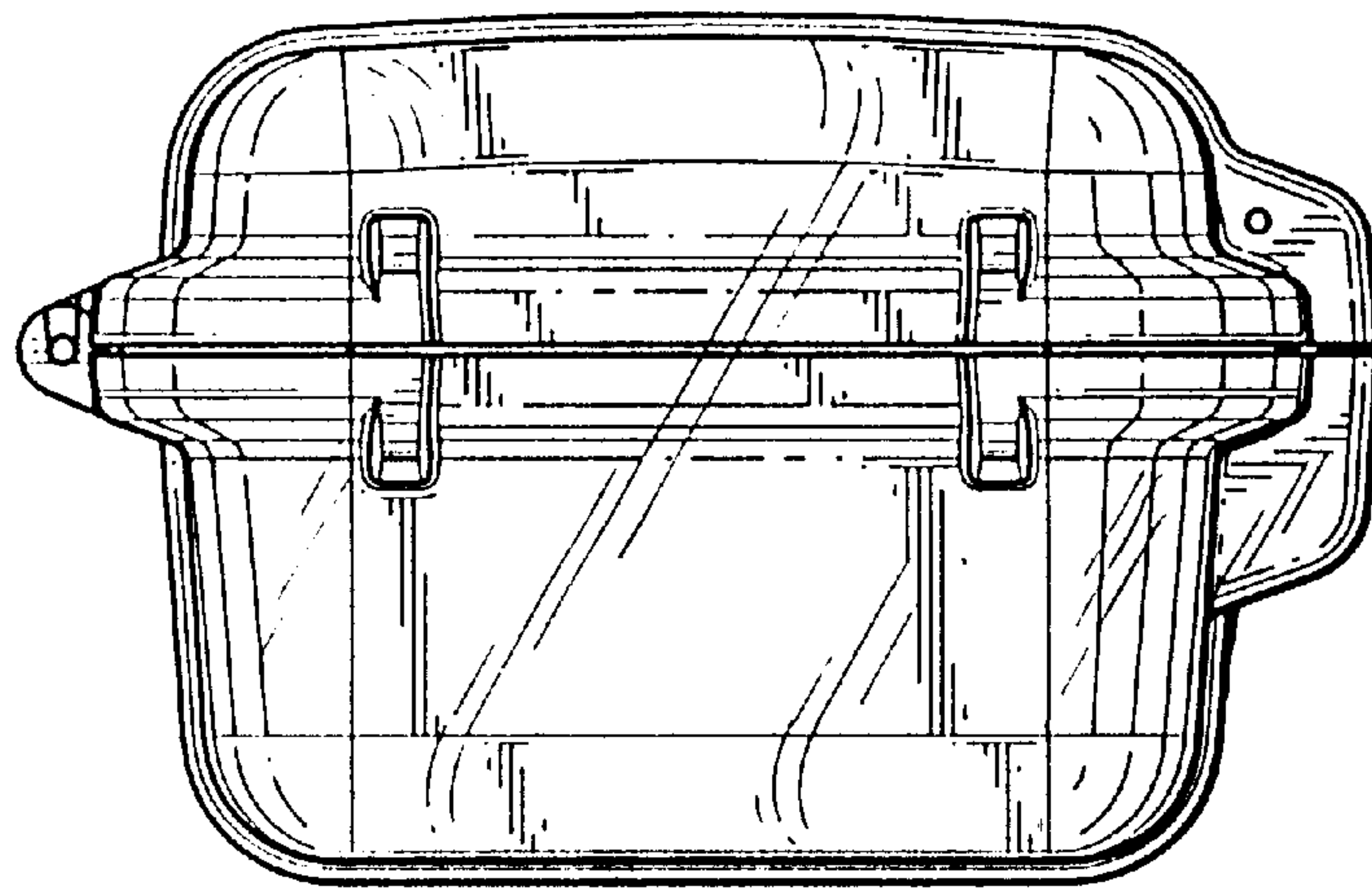


FIG. 35

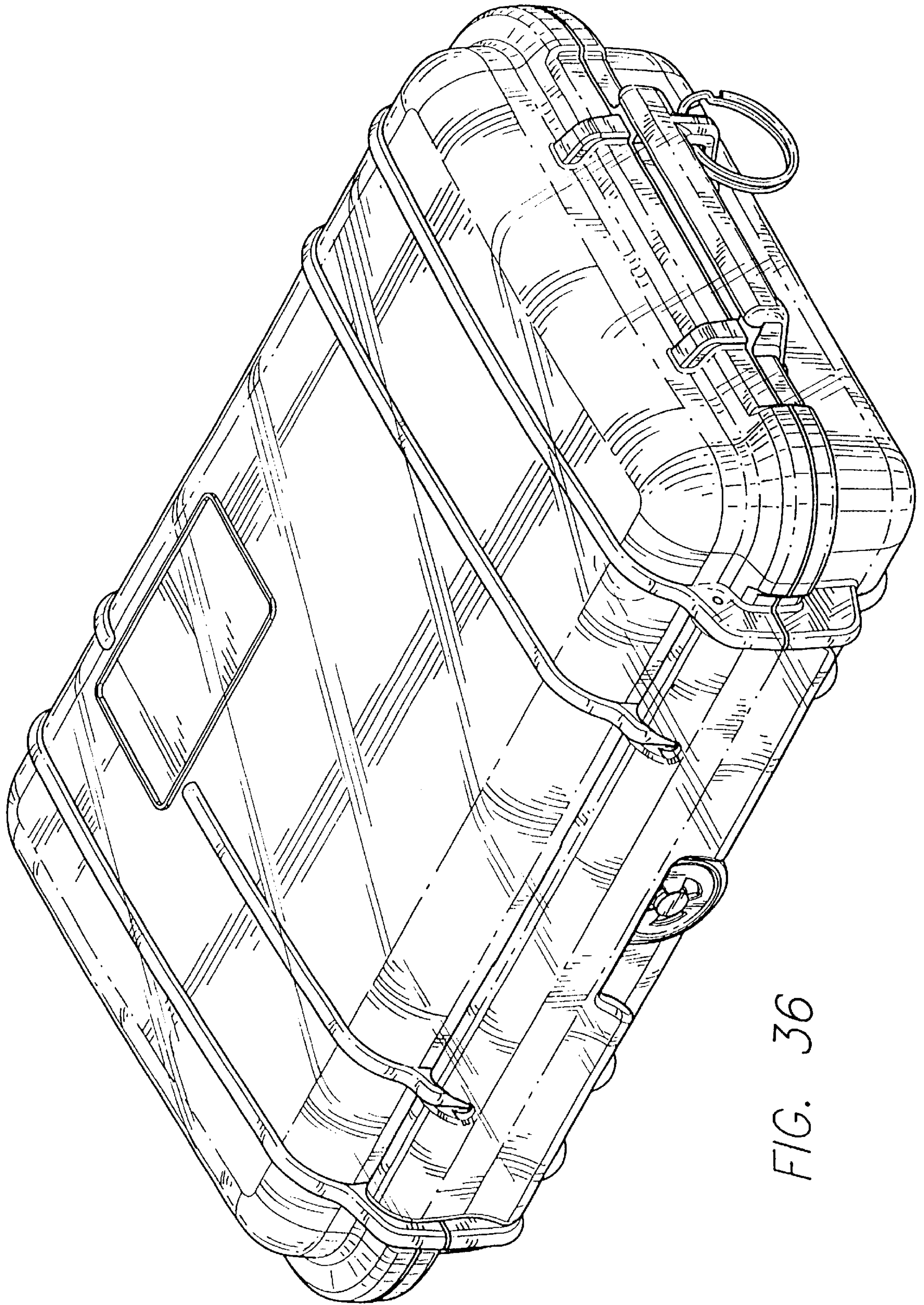


FIG. 36

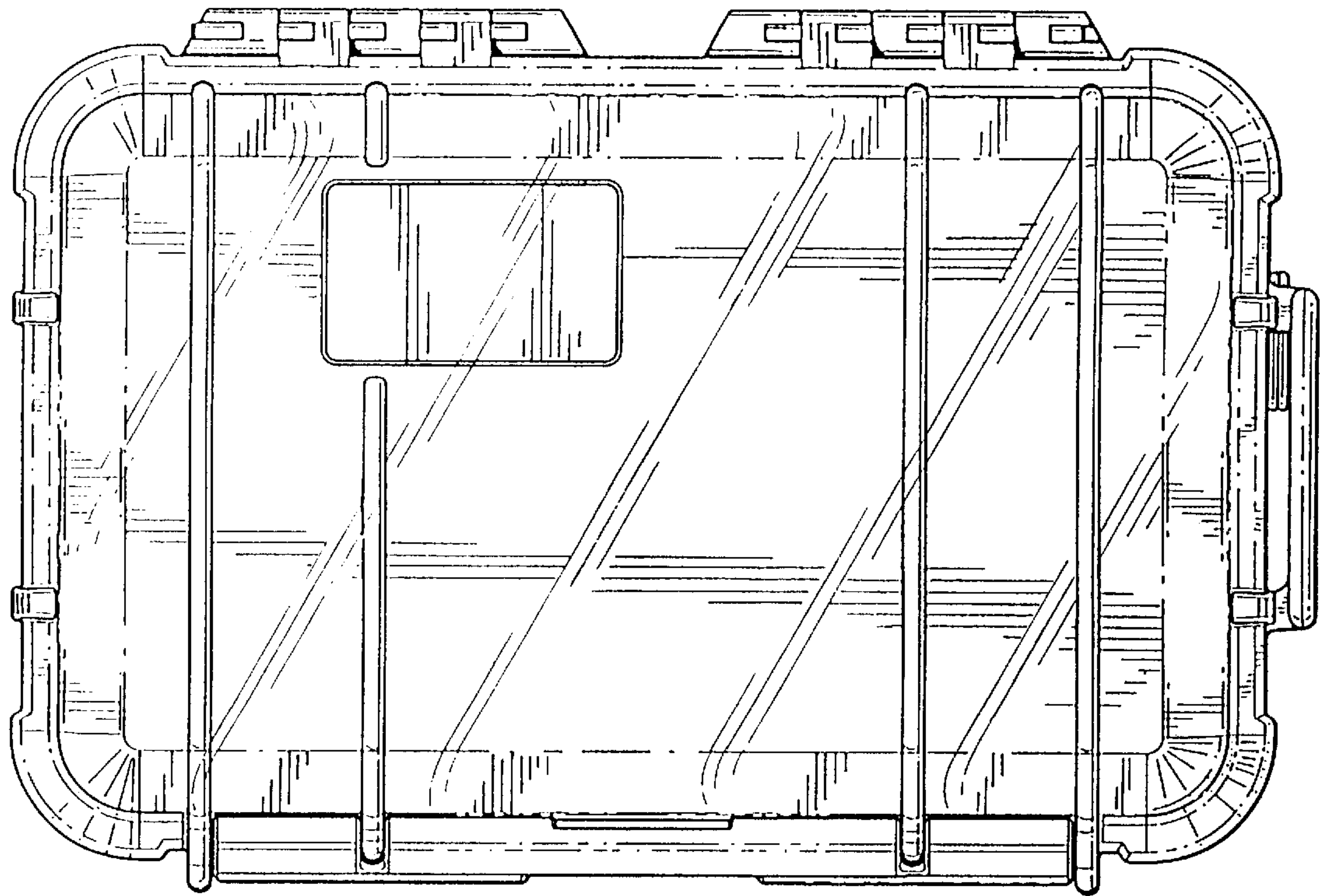


FIG. 37

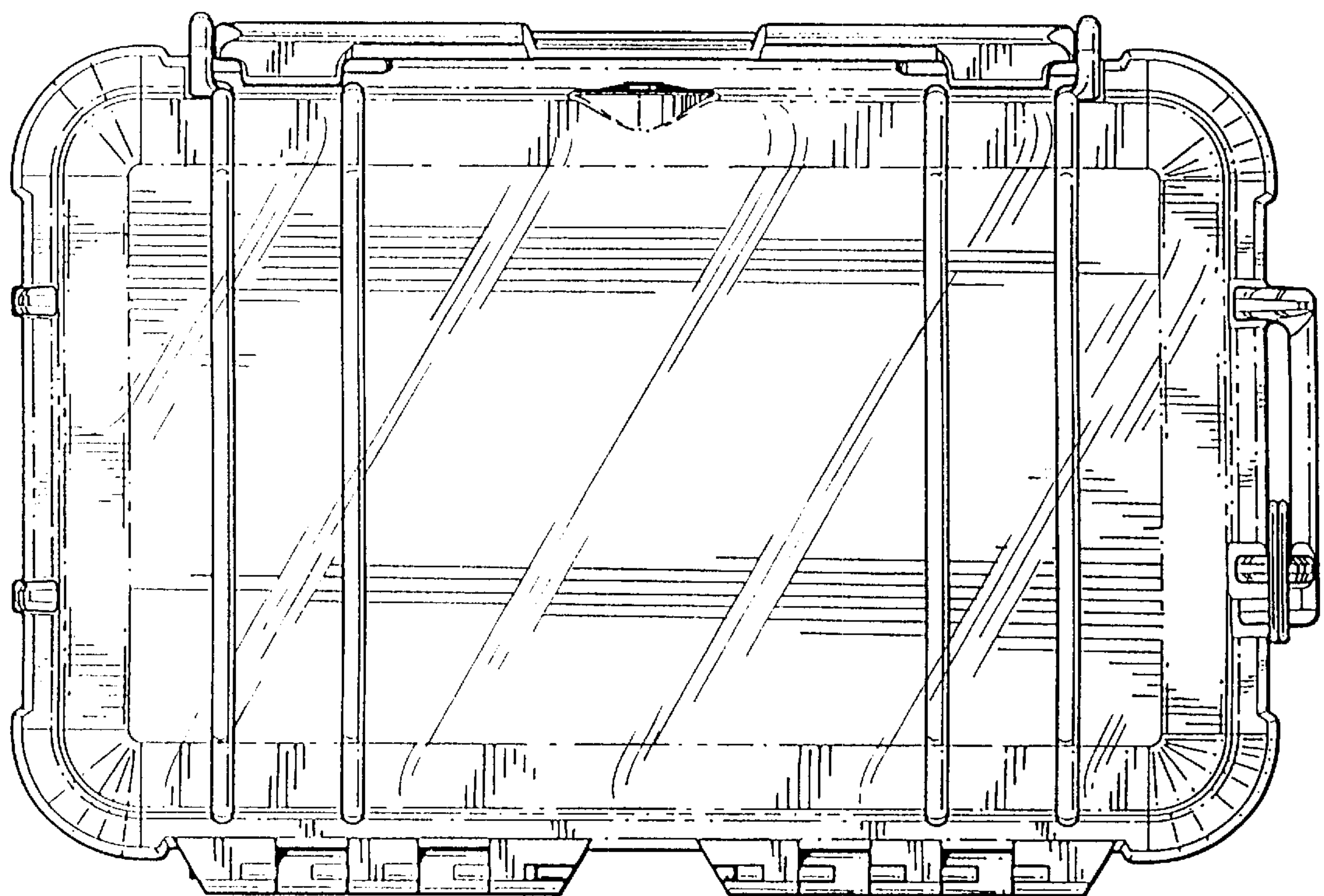


FIG. 38

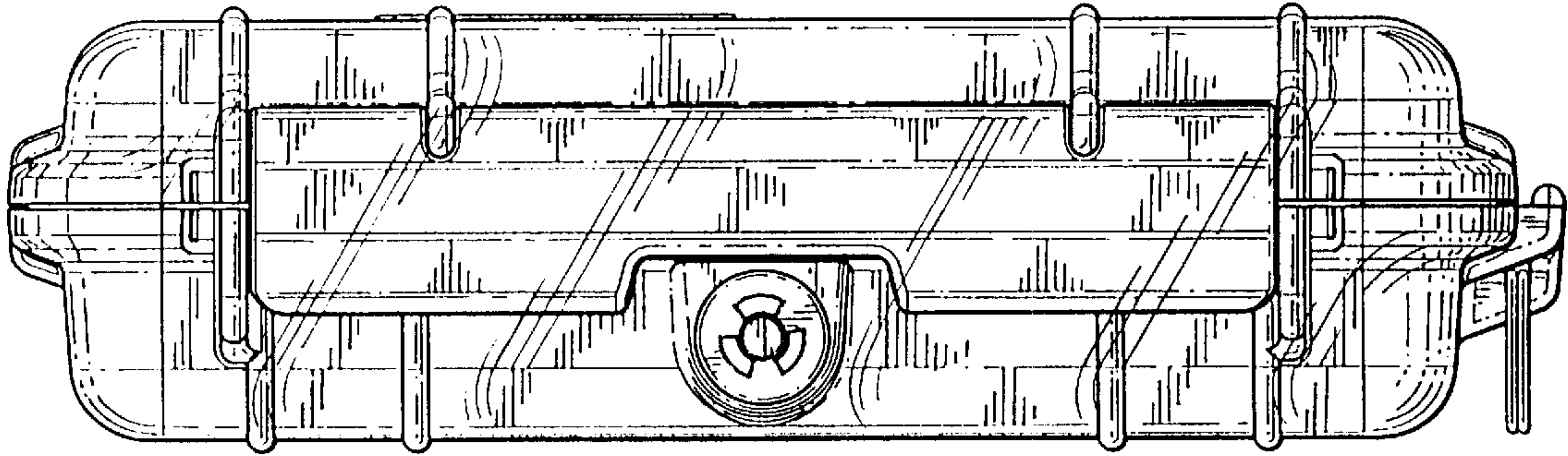


FIG. 39

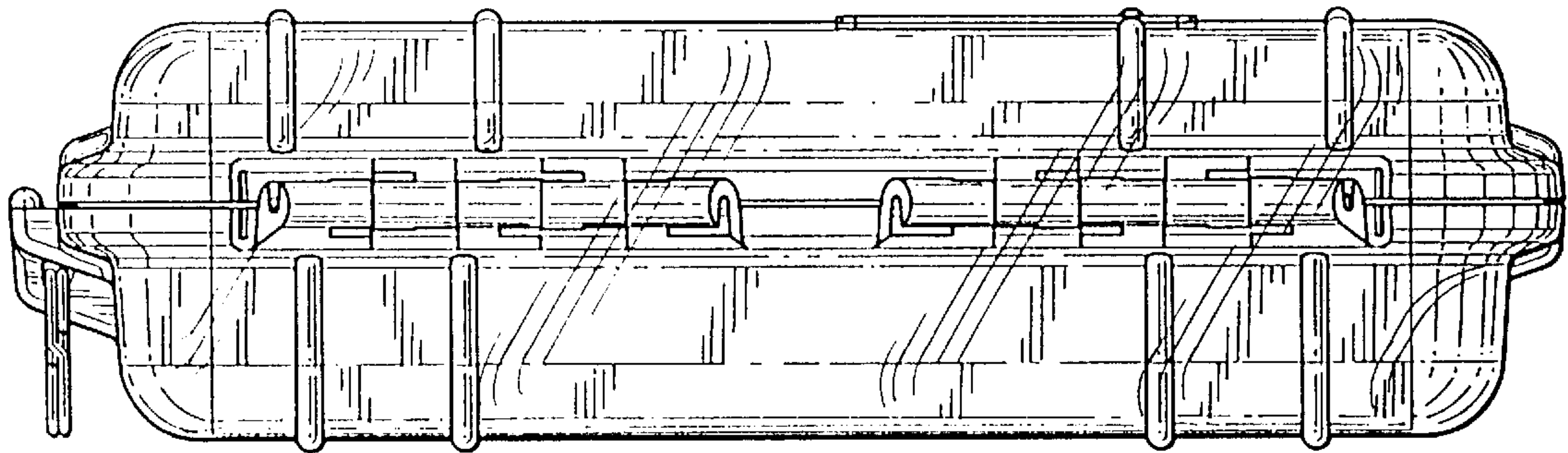


FIG. 40

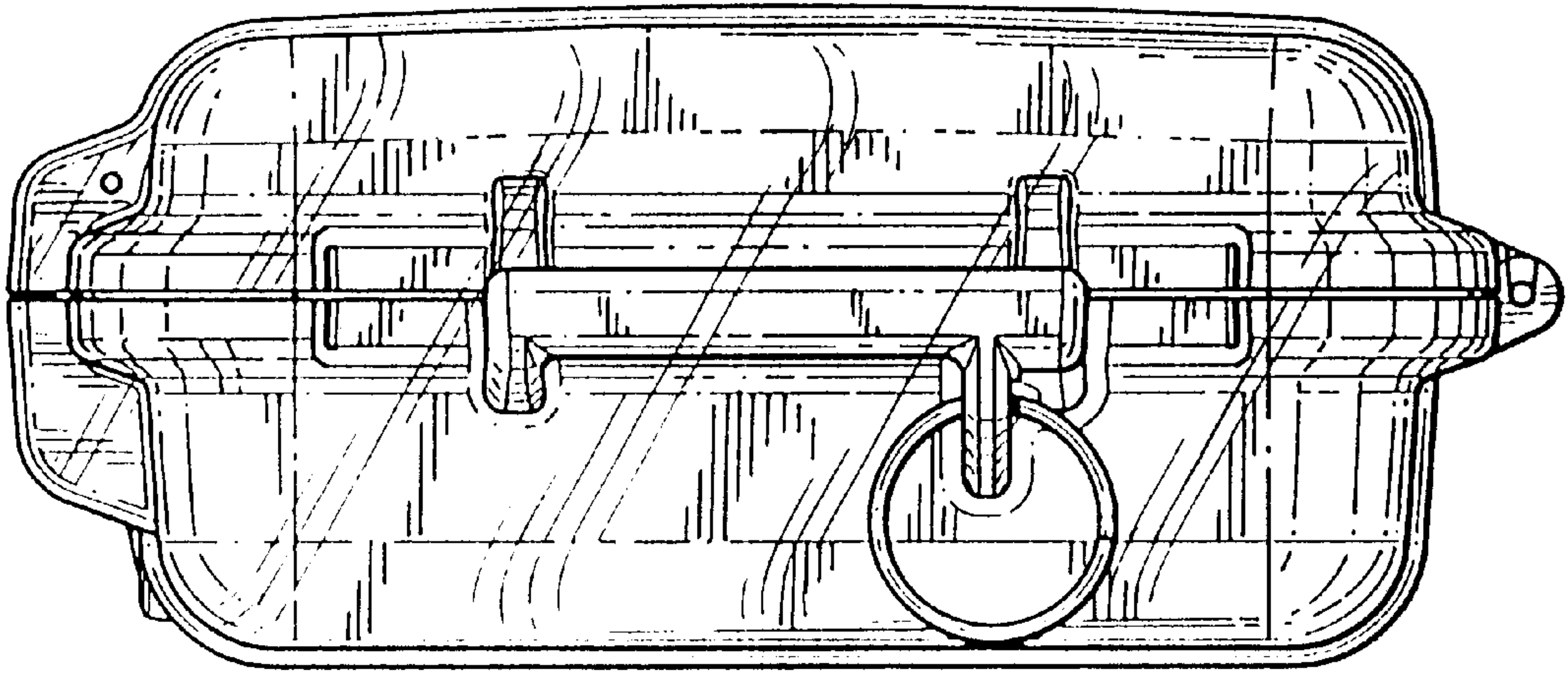


FIG. 41

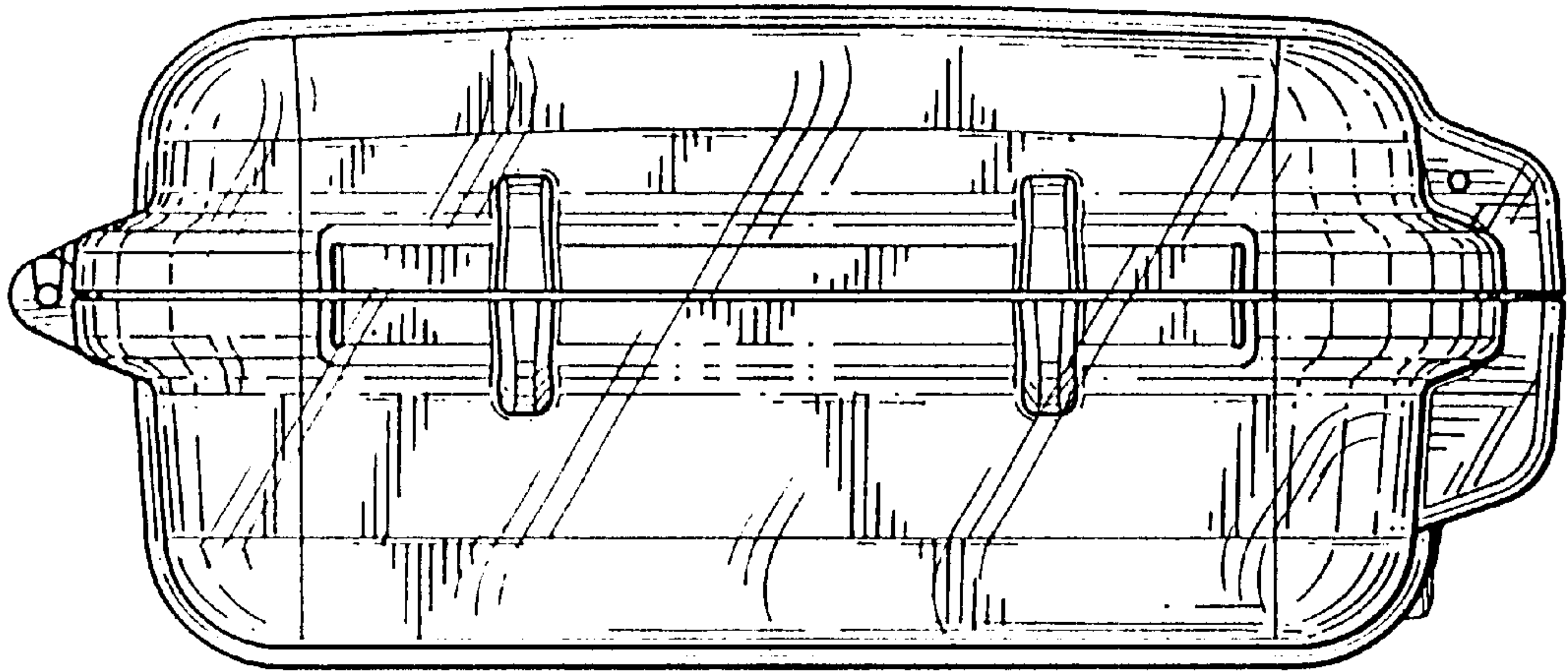


FIG. 42