



US00D464193S

(12) **United States Design Patent**
Leung

(10) **Patent No.:** **US D464,193 S**

(45) **Date of Patent:** **** Oct. 15, 2002**

(54) **HOLDER FOR GOLF BALL AND ACCESSORIES**

D448,555 S 10/2001 deLong D3/221

* cited by examiner

(76) Inventor: **Kui Wing Leung**, 6B Sun Peace Court,
Nos. 136-142 Boundary Street,
Kowloon (HK)

Primary Examiner—Catherine R. Oliver

(74) *Attorney, Agent, or Firm*—David P. Gordon; David S. Jacobson; Thomas A Gallagher

(**) Term: **14 Years**

(57) **CLAIM**

(21) Appl. No.: **29/153,243**

The ornamental design for a holder for golf ball and accessories, as shown and described.

(22) Filed: **Jan. 3, 2002**

DESCRIPTION

(51) **LOC (7) Cl.** **03-01**

(52) **U.S. Cl.** **D3/221**

(58) **Field of Search** D3/221, 215, 224,
D3/226, 254, 257, 259; 206/315.9; 224/196,
197, 918, 919

FIG. 1 is a top, front and left side perspective view of a first embodiment of a holder for golf ball and accessories showing my new design;

FIG. 2 is a top, front and right side perspective view thereof;

FIG. 3 is a front elevational view thereof;

FIG. 4 is a rear elevational view thereof;

FIG. 5 is a left side elevational view thereof;

FIG. 6 is a right side elevational view thereof;

FIG. 7 is a top plan view thereof;

FIG. 8 is a bottom plan view thereof;

FIG. 9 is a top, front and left side perspective view of a second embodiment of a holder for golf ball and accessories showing my new design;

FIG. 10 is a top, front and right side perspective view thereof;

FIG. 11 is a front elevational view thereof;

FIG. 12 is a rear elevational view thereof;

FIG. 13 is a left side elevational view thereof;

FIG. 14 is a right side elevational view thereof;

FIG. 15 is a top plan view thereof; and,

FIG. 16 is a bottom plan view thereof.

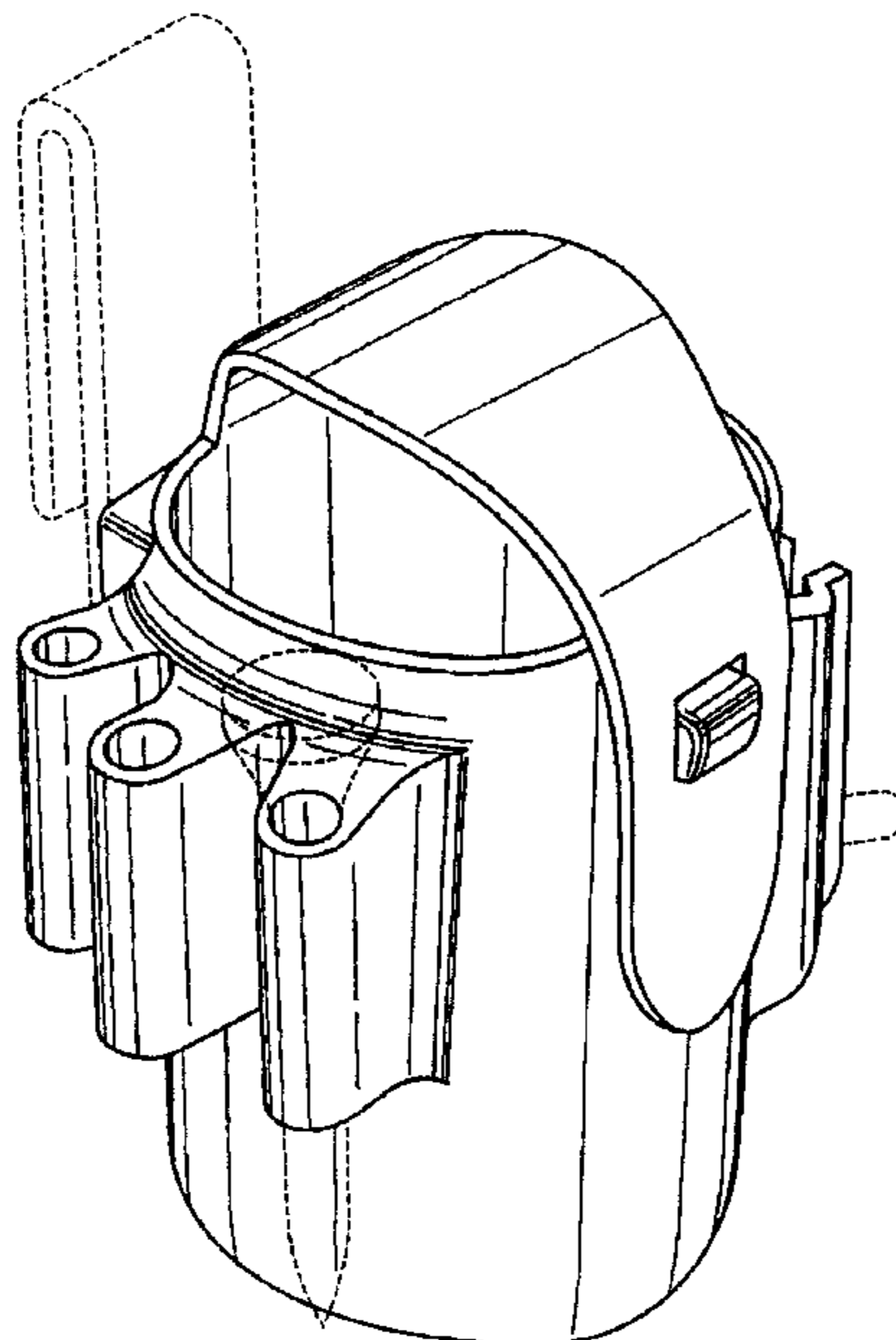
The broken line showing of environment in the drawings is for illustrative purposes only and forms no part of the claimed design.

(56) **References Cited**

U.S. PATENT DOCUMENTS

2,558,382 A	6/1951	Previdi	224/919
2,768,775 A	10/1956	Houser	224/919
D190,919 S	* 7/1961	Kolarik	D3/221
3,497,118 A	2/1970	Najjar	224/919
4,106,678 A	8/1978	Thomas	224/919
D254,940 S	5/1980	Thomas	D3/221
4,730,728 A	* 3/1988	Larkin	206/315.9
4,850,483 A	7/1989	Stack	206/315.9
D306,375 S	3/1990	Stack	D3/221
D363,520 S	10/1995	Melillo	D3/221
D374,345 S	10/1996	Ostrosky et al.	D3/221
D382,107 S	* 8/1997	Hwang	D3/221
D387,900 S	12/1997	D'Agostino	D3/221
D394,548 S	* 5/1998	Lee	D3/221
D394,549 S	* 5/1998	Frazier	D3/221
5,772,090 A	6/1998	Rodriguez	224/251
5,934,530 A	8/1999	Antczak et al.	224/197
6,003,747 A	12/1999	Lee	224/250
6,102,263 A	8/2000	Rosato et al.	224/196

1 Claim, 8 Drawing Sheets



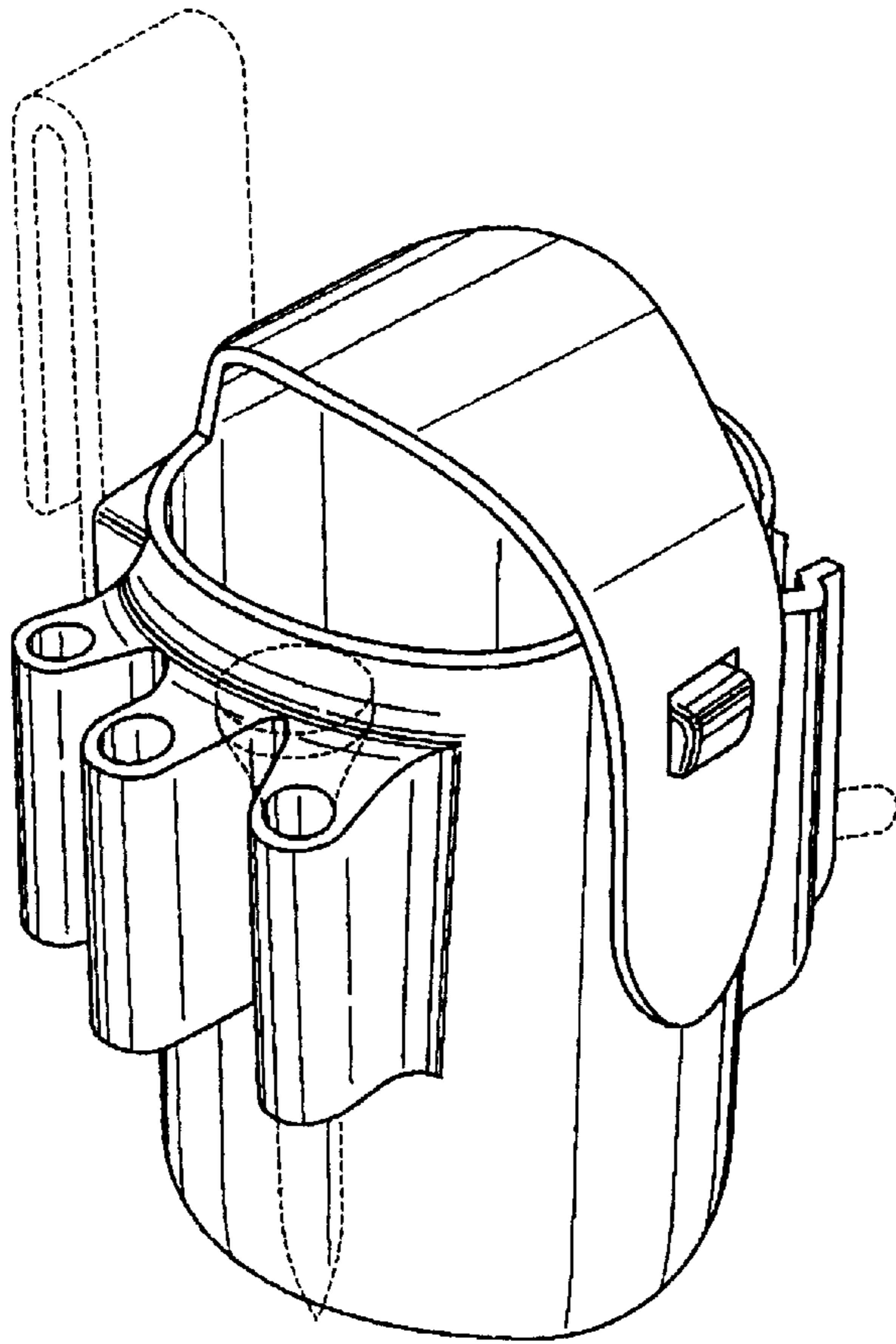


FIG. 1

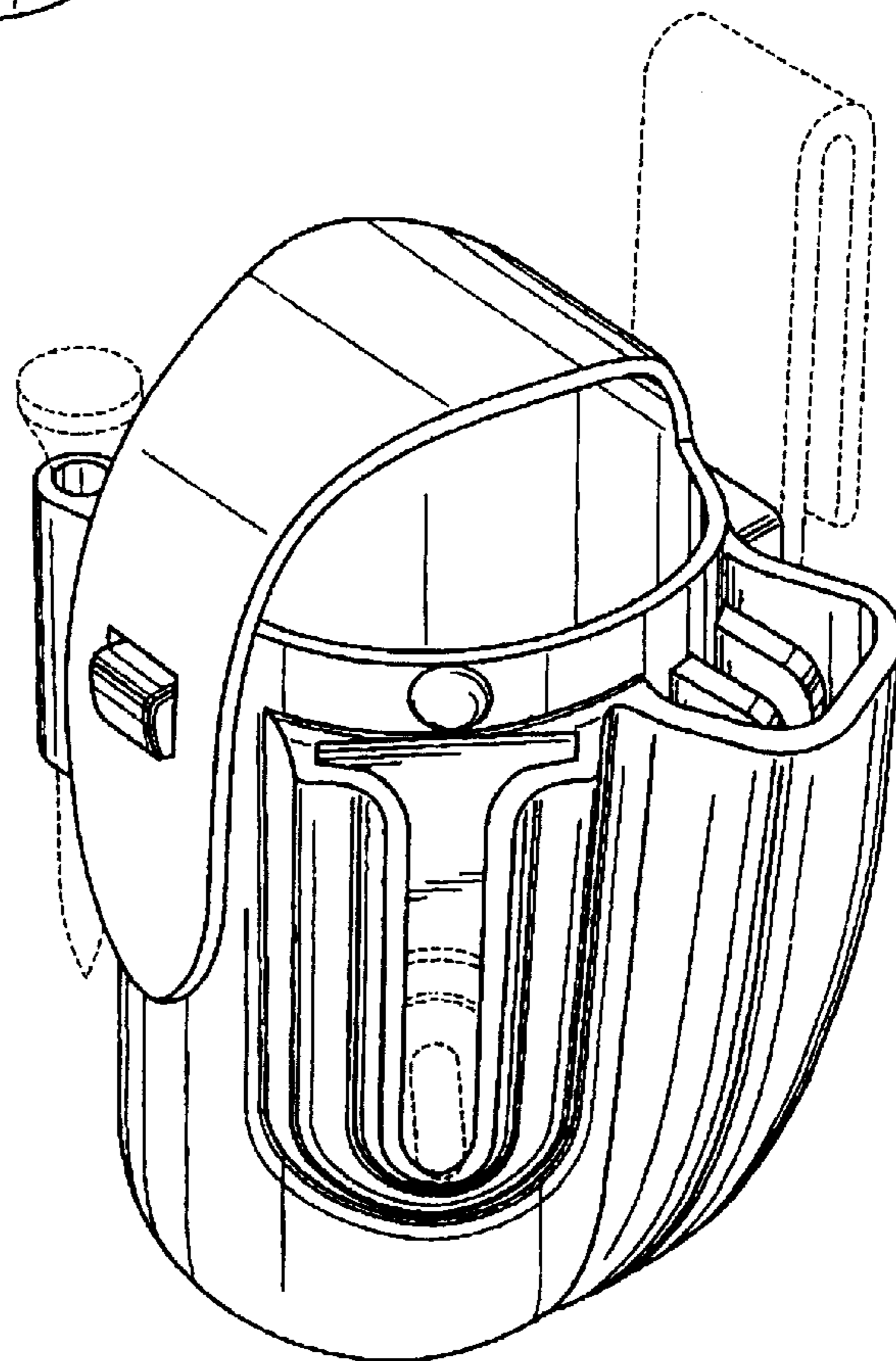


FIG. 2

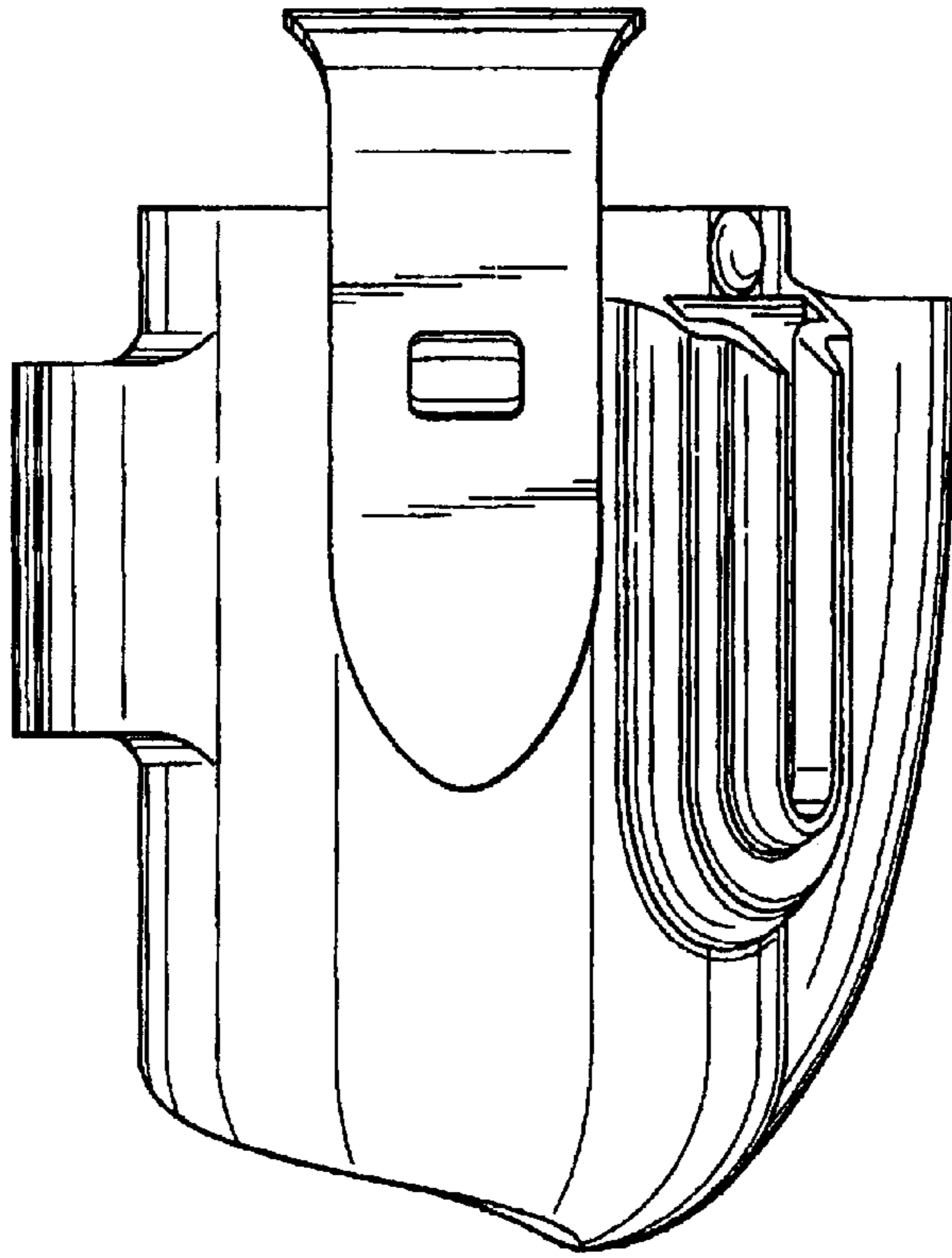


FIG. 3

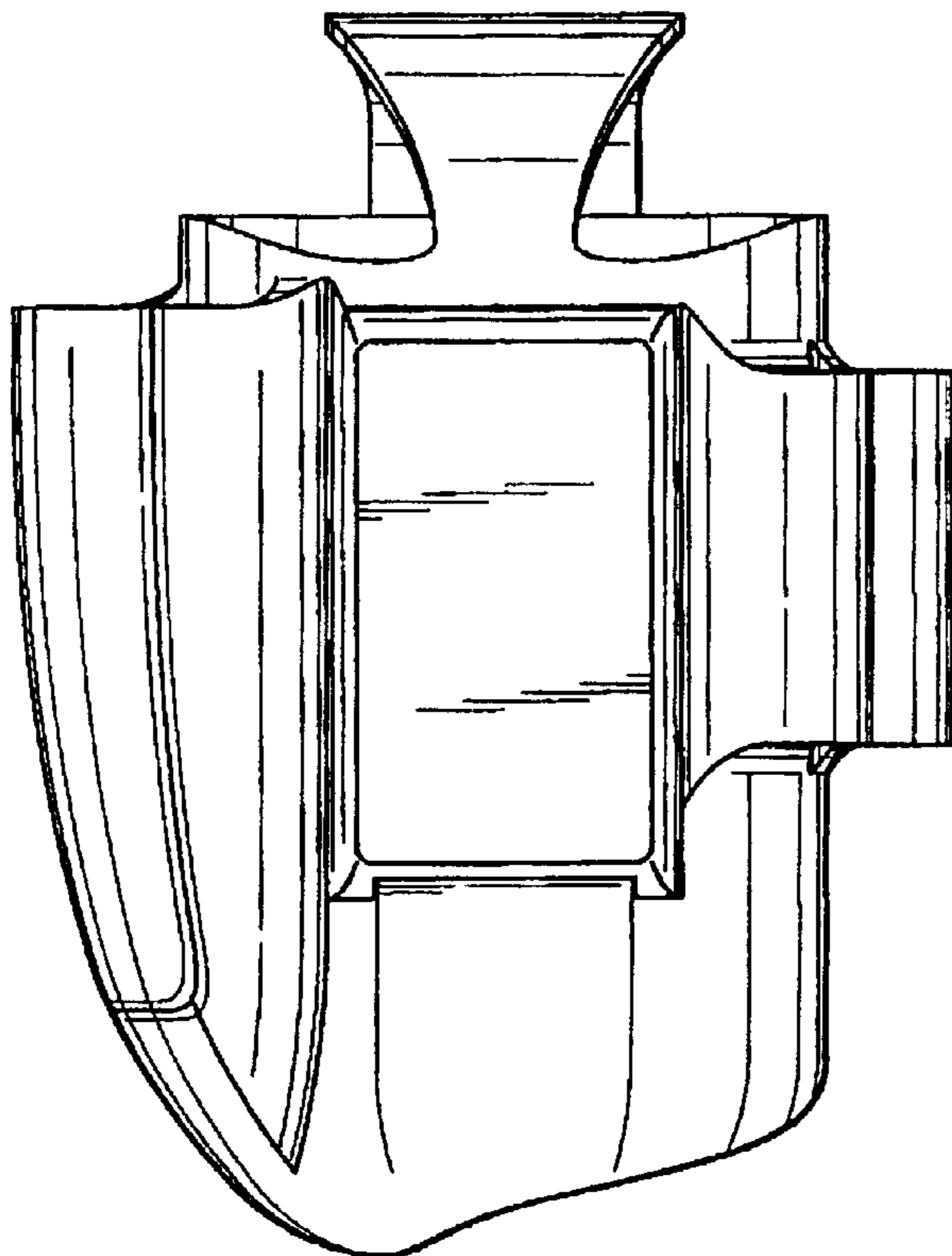


FIG. 4

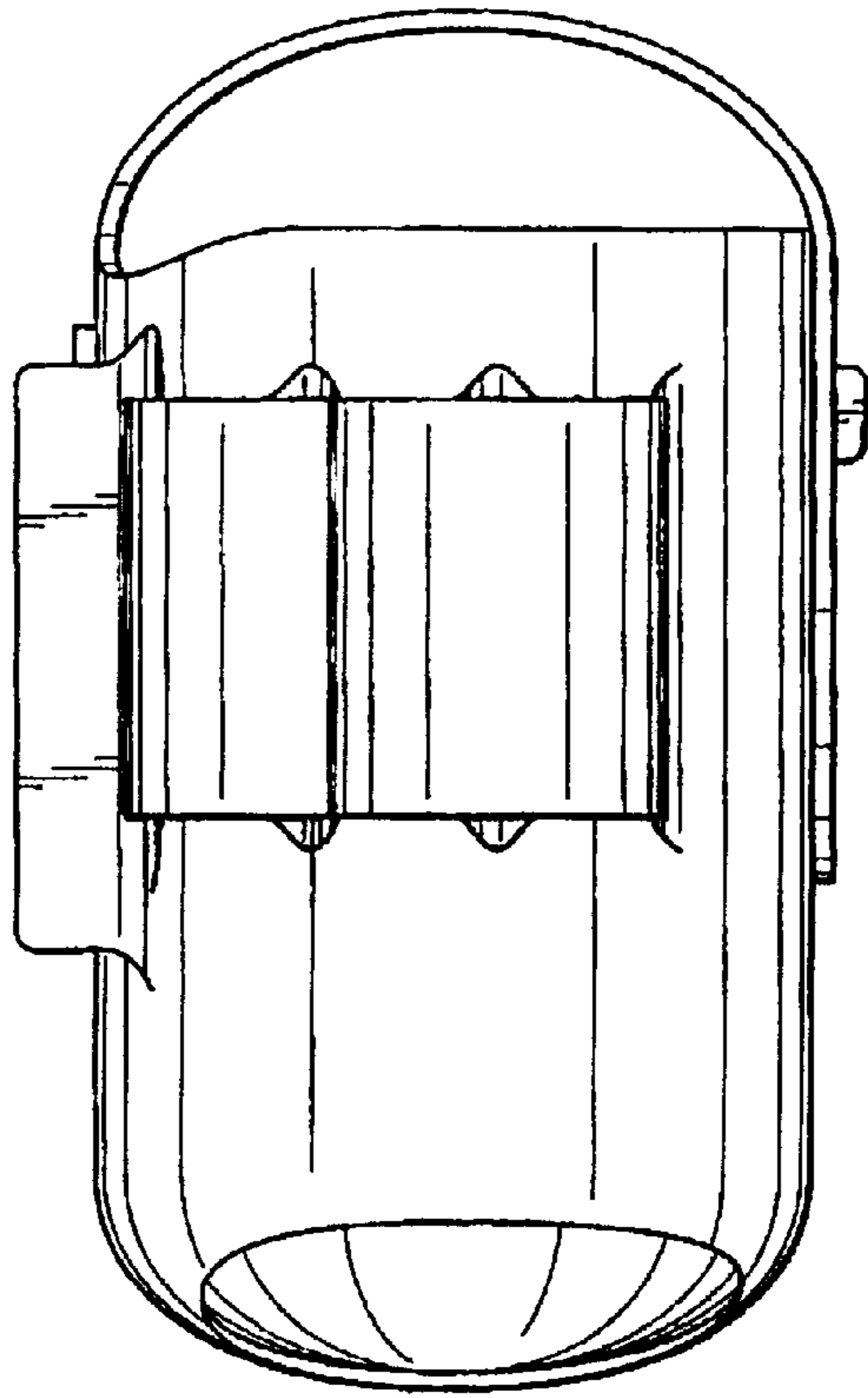


FIG. 5

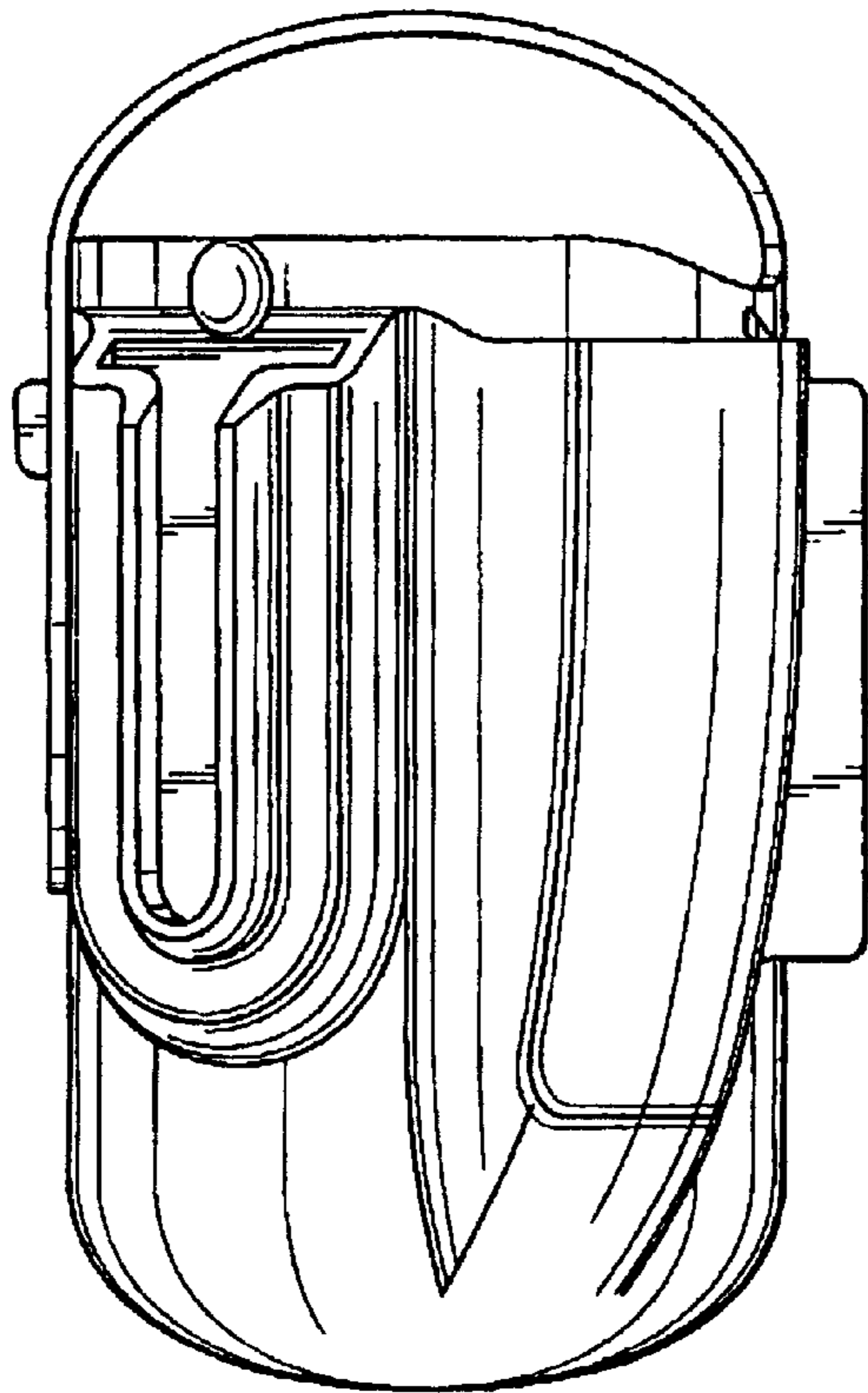


FIG. 6

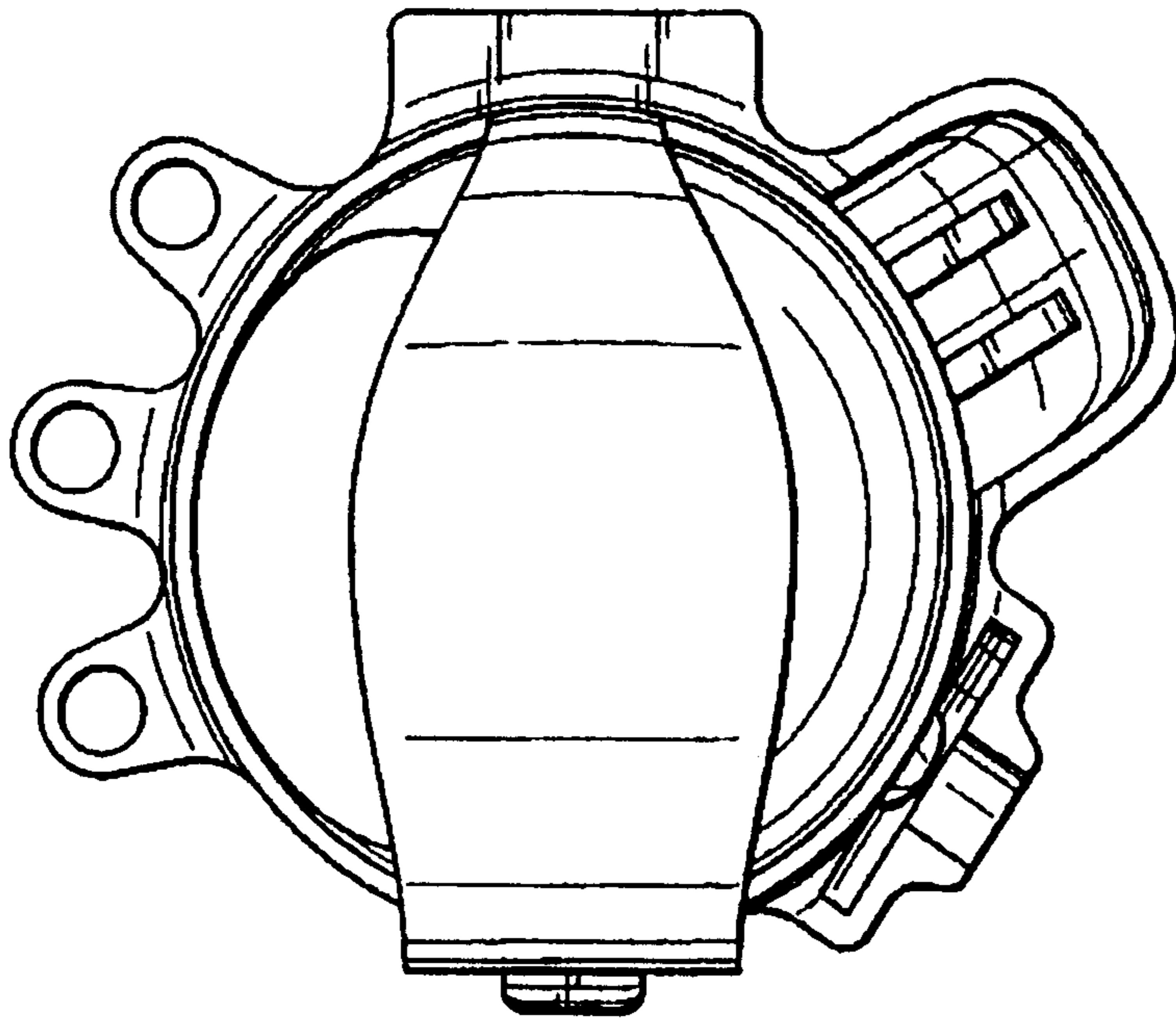


FIG. 7

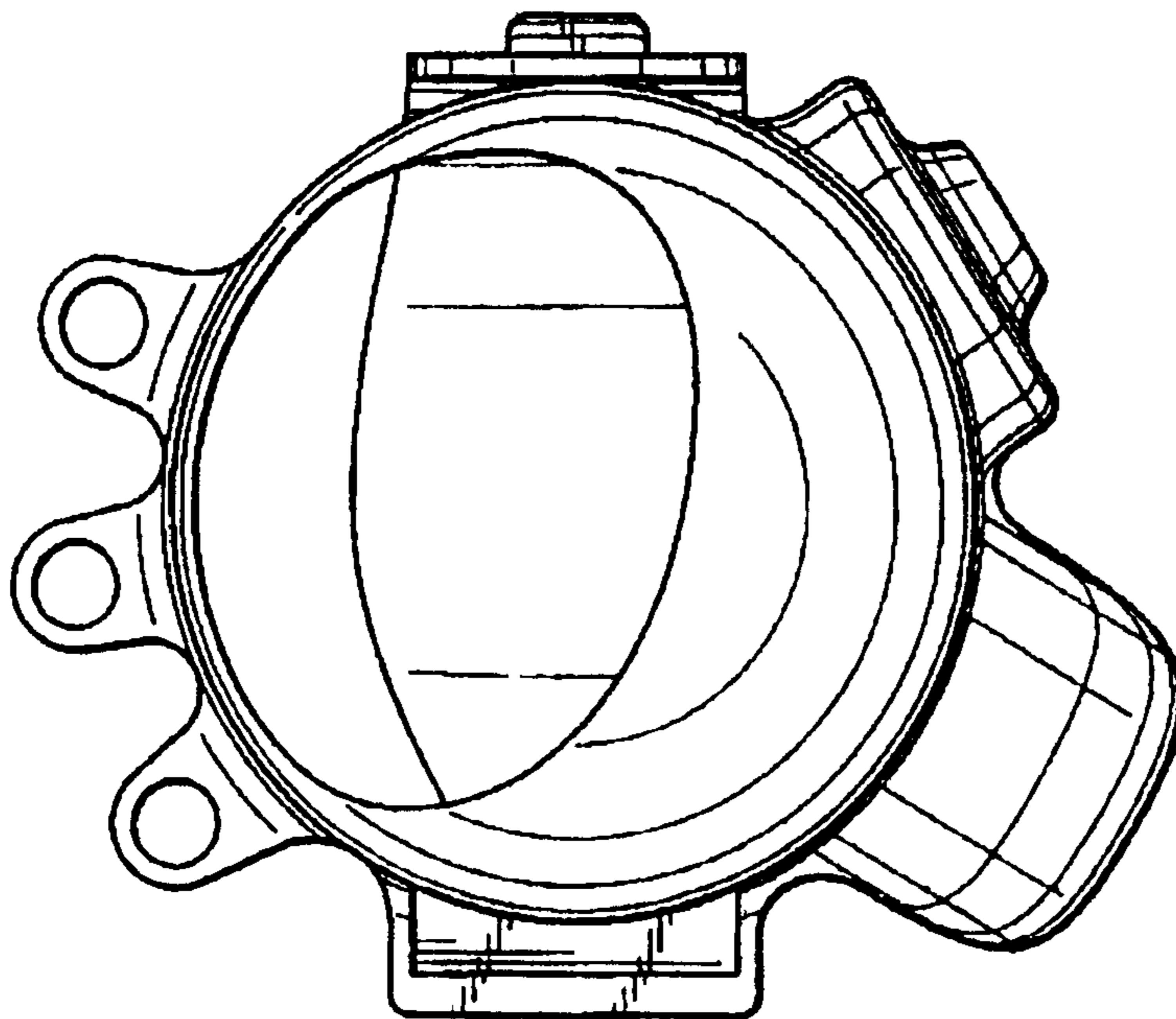


FIG. 8

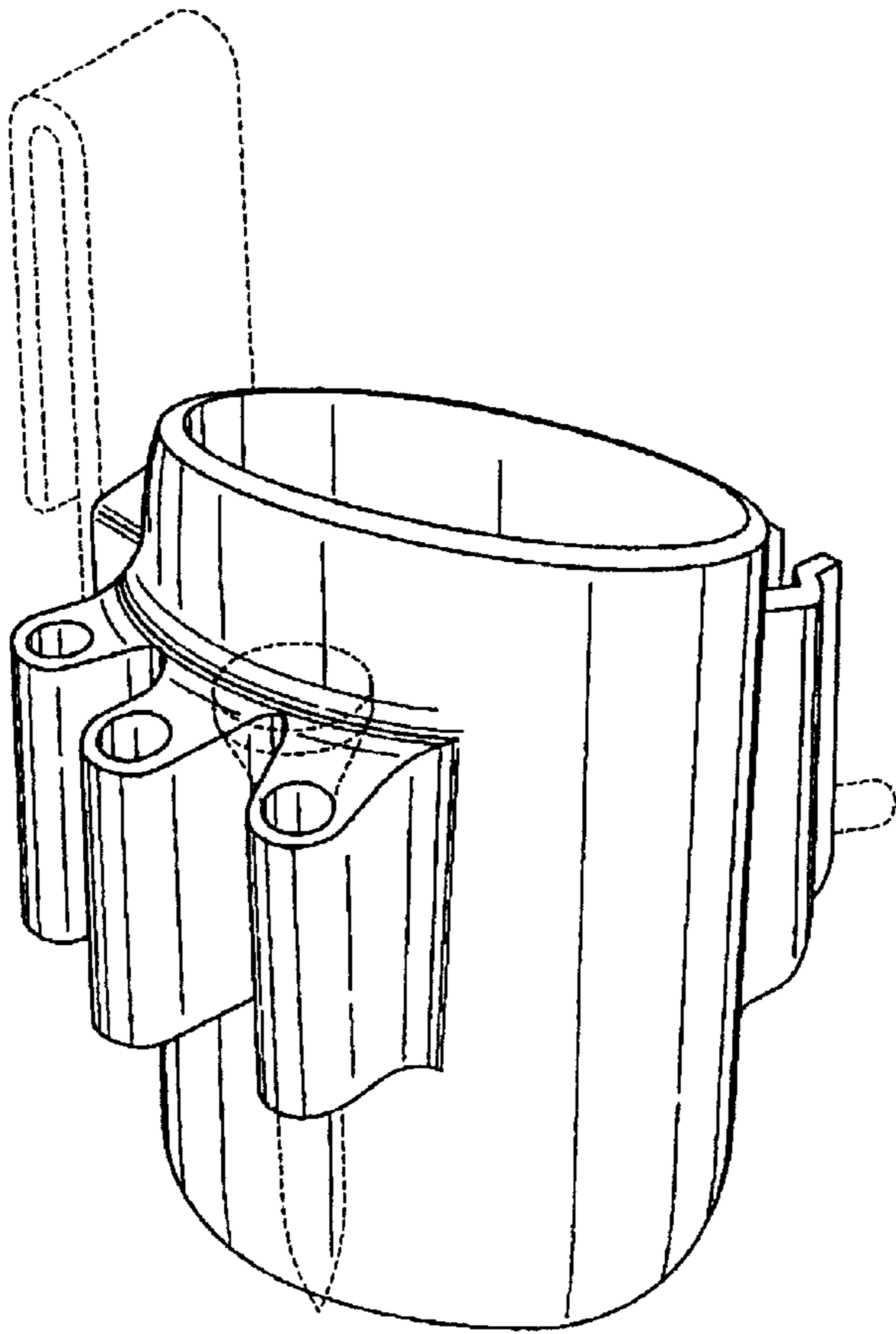


FIG. 9

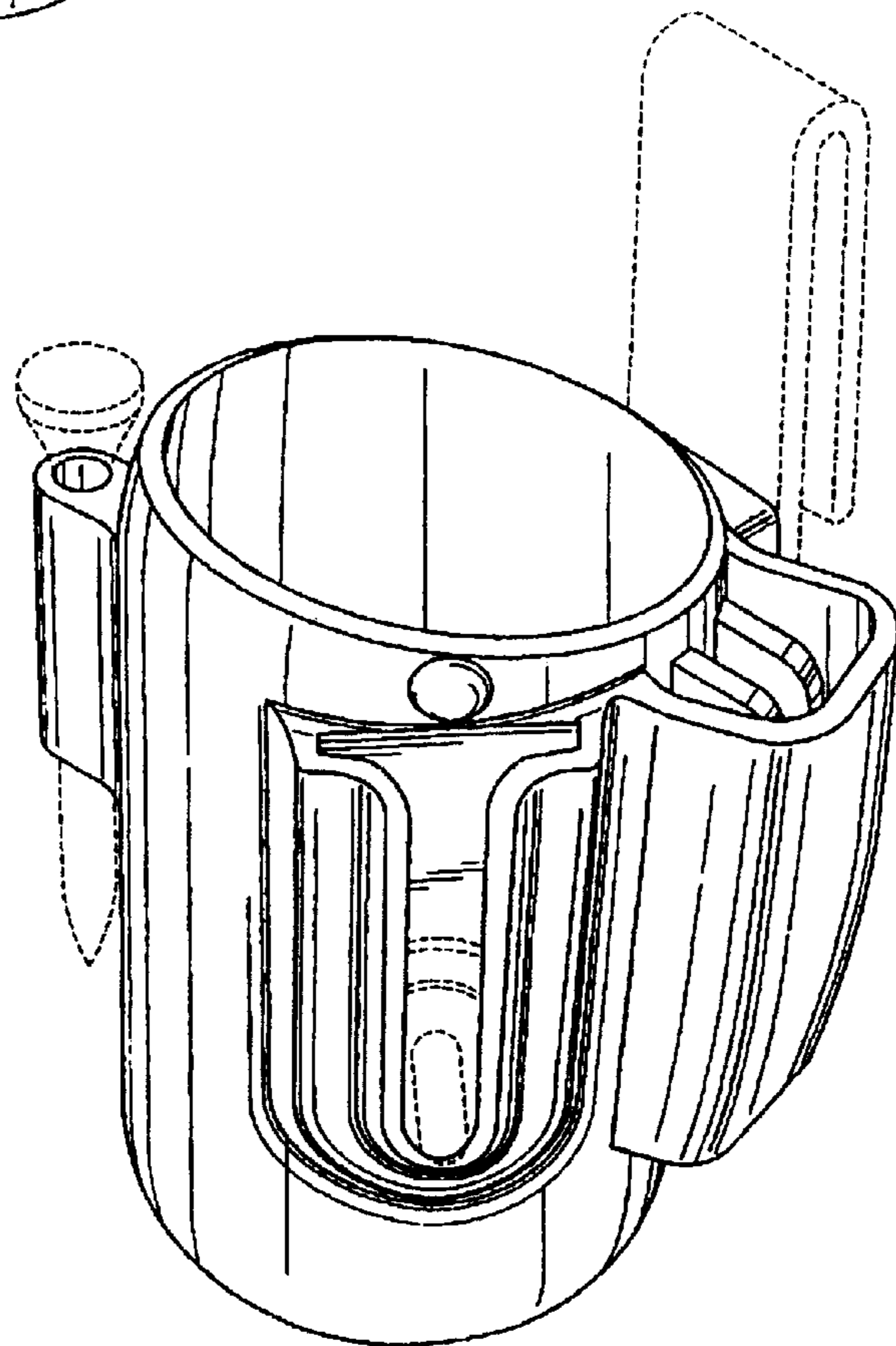


FIG. 10

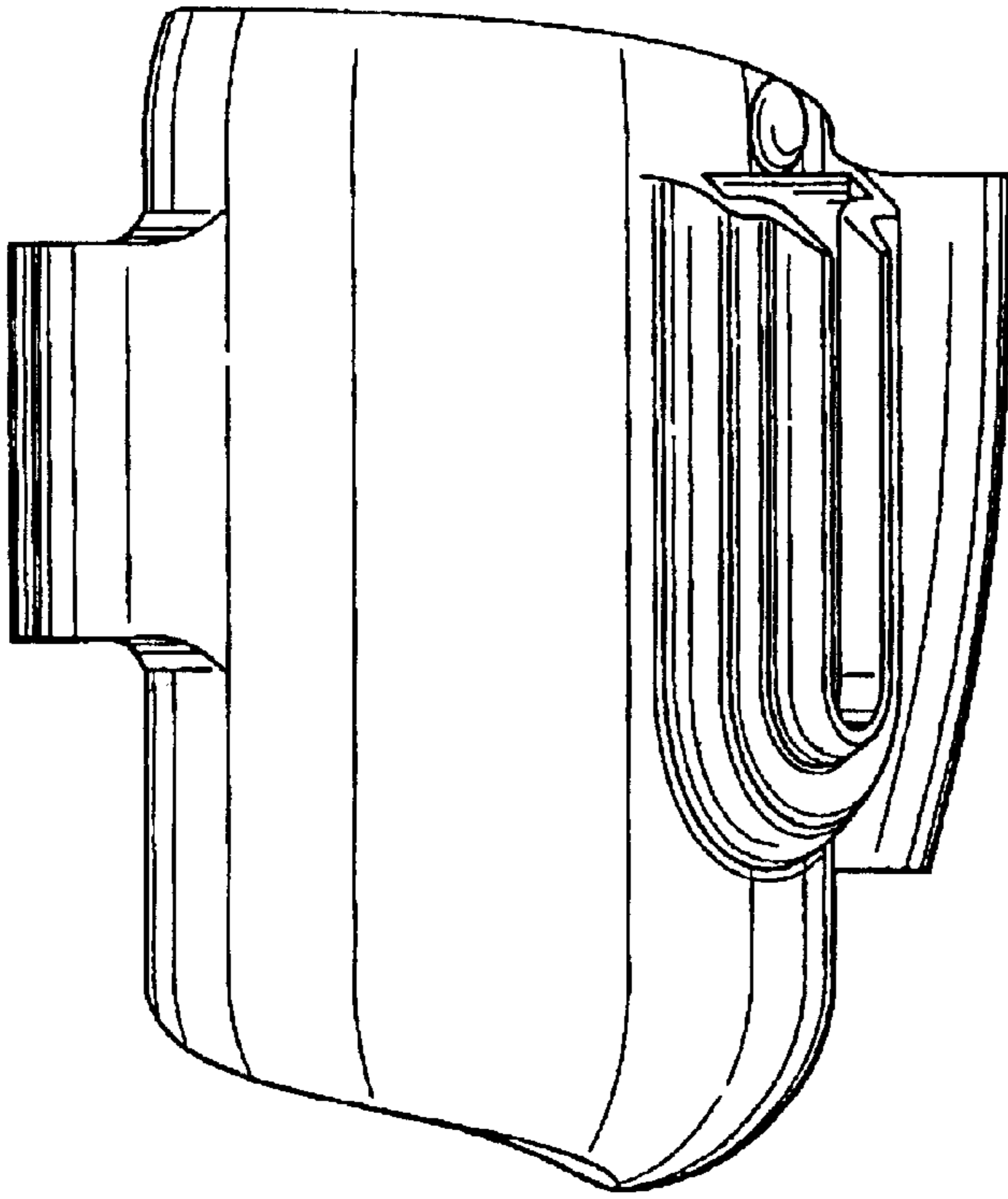


FIG. 11

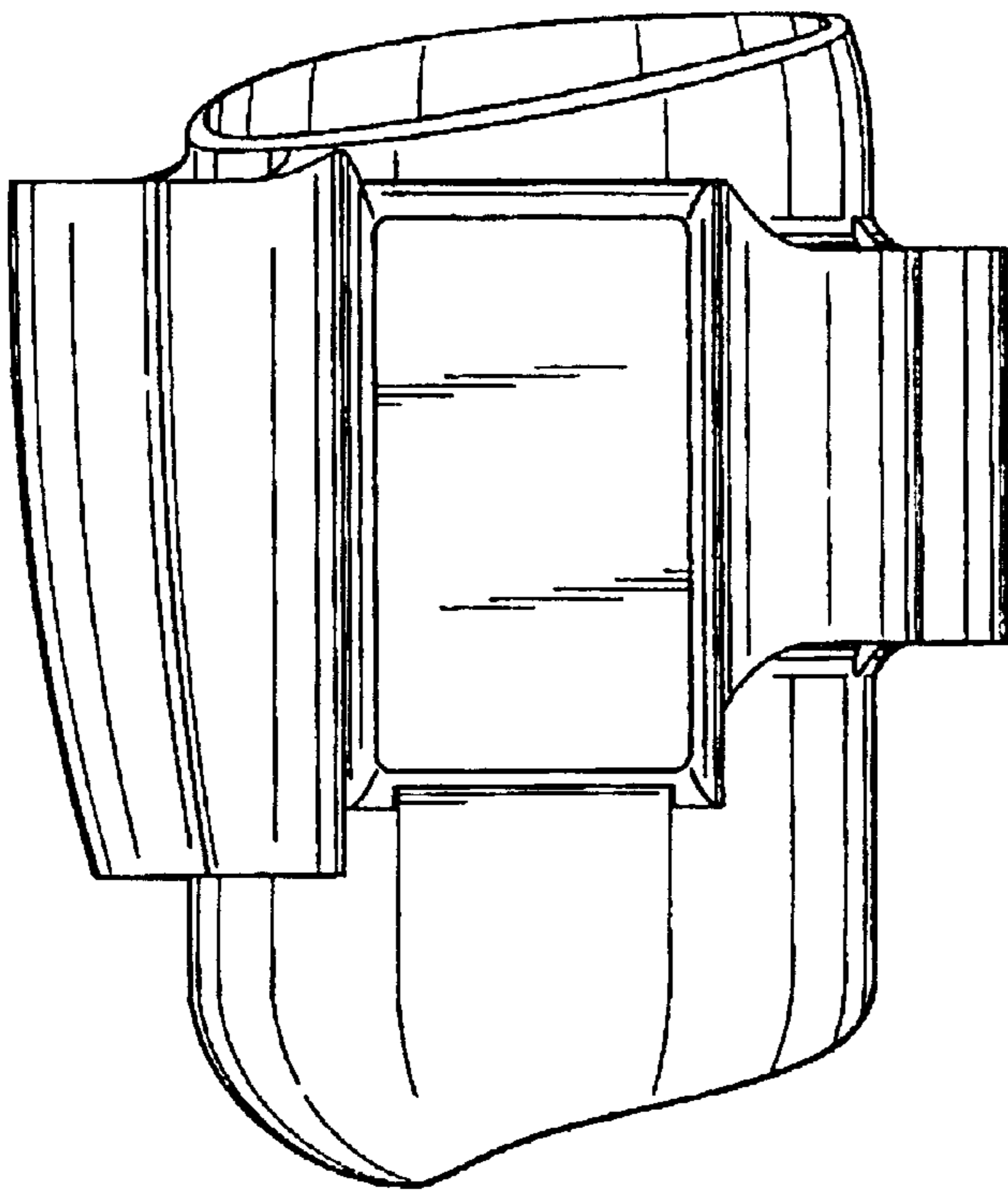


FIG. 12

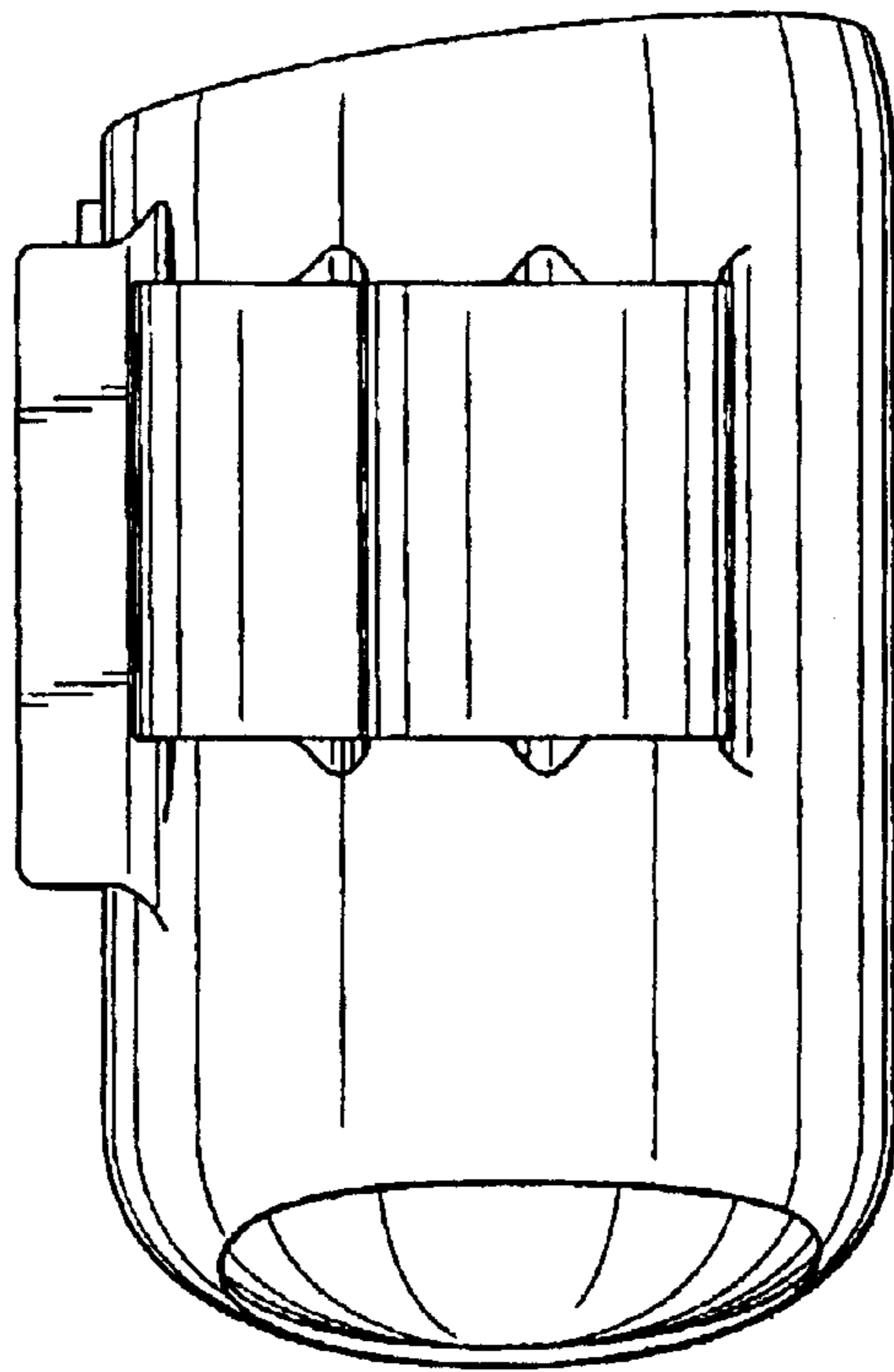


FIG. 13

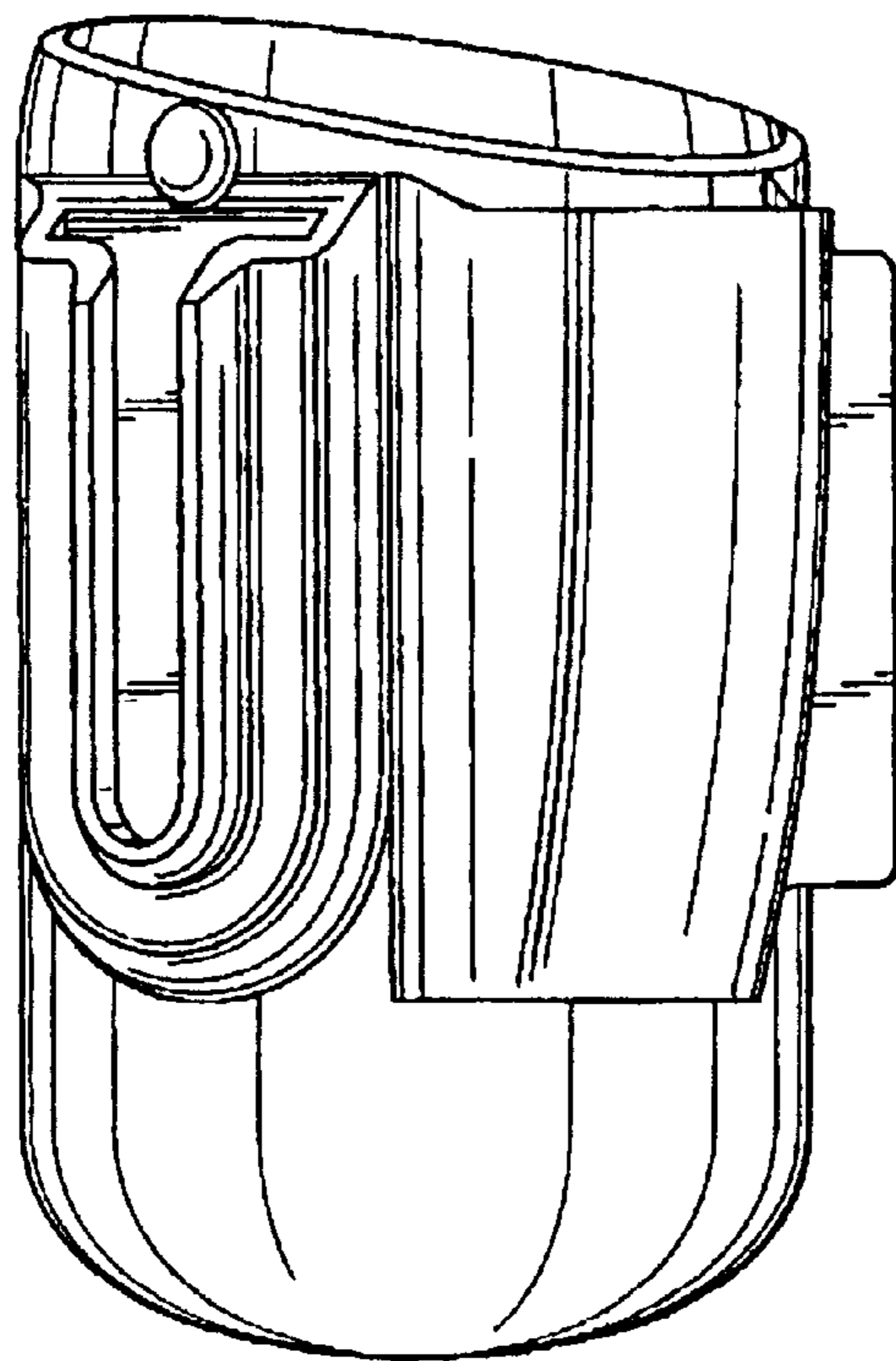


FIG. 14

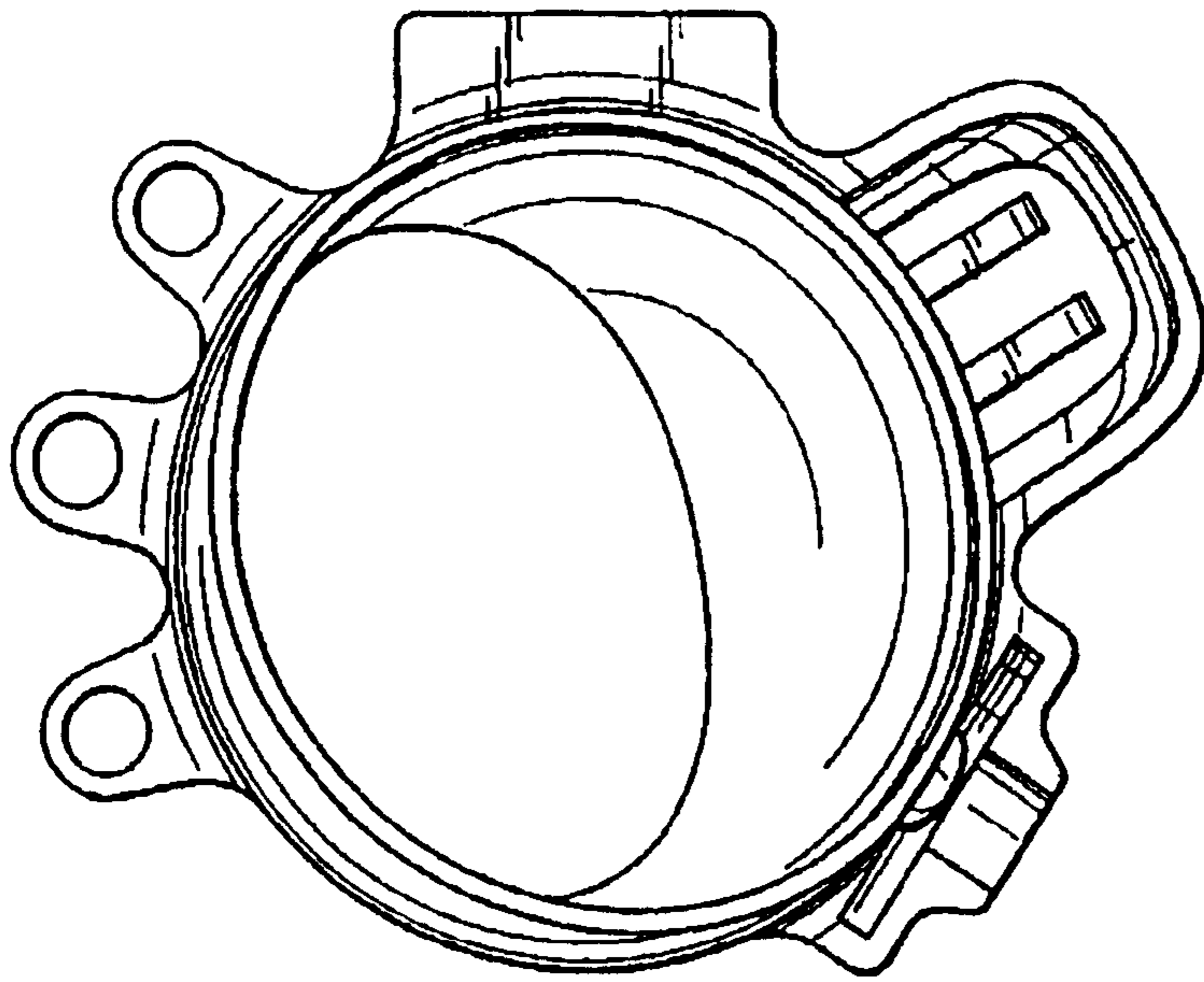


FIG. 15

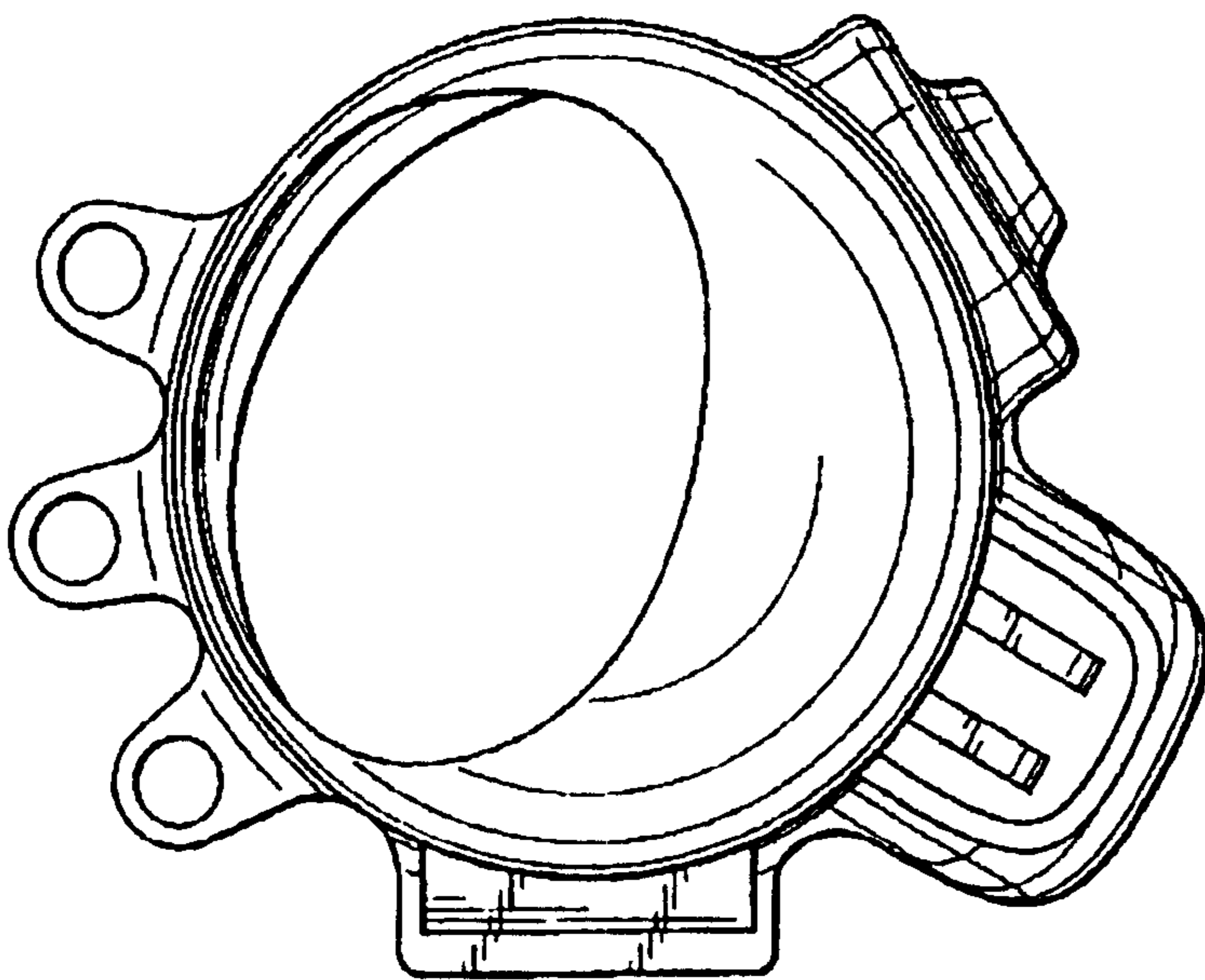


FIG. 16