



US00D464170S

(12) **United States Design Patent**  
**Davidson**

(10) **Patent No.:** **US D464,170 S**

(45) **Date of Patent:** **\*\* Oct. 8, 2002**

(54) **HAND HELD FACE COVERING DEVICE**

(76) **Inventor:** **Edna May Davidson, C 184-4331**  
Sarcee Road SW, Calgary, Alberta  
(CA), T3E 6V9

(\*\*) **Term:** **14 Years**

(21) **Appl. No.:** **29/152,295**

(22) **Filed:** **Dec. 17, 2001**

(51) **LOC (7) Cl.** ..... **28-03**

(52) **U.S. Cl.** ..... **D28/9**

(58) **Field of Search** ..... D28/9, 10, 20,  
D28/99; D29/108, 110; 132/212, 333; 2/9,  
174, 206

(56) **References Cited**

**U.S. PATENT DOCUMENTS**

D188,021 S \* 5/1960 Fisher ..... D28/9  
D223,737 S \* 5/1972 Smith ..... D28/9  
D225,910 S \* 1/1973 Kurianski ..... D28/9

4,945,574 A \* 8/1990 Dagher ..... 2/9  
D384,775 S \* 10/1997 Locke ..... D29/108  
D396,109 S \* 7/1998 Piche et al. .... D28/9 X

\* cited by examiner

*Primary Examiner*—Ted Shooman

*Assistant Examiner*—C Tuttle

(74) *Attorney, Agent, or Firm*—Henderson & Sturm LLP

(57) **CLAIM**

The ornamental design for a hand held face covering device,  
as shown and described.

**DESCRIPTION**

FIG. 1 is a perspective view of the hand held face covering  
device;

FIG. 2 is a side view thereof;

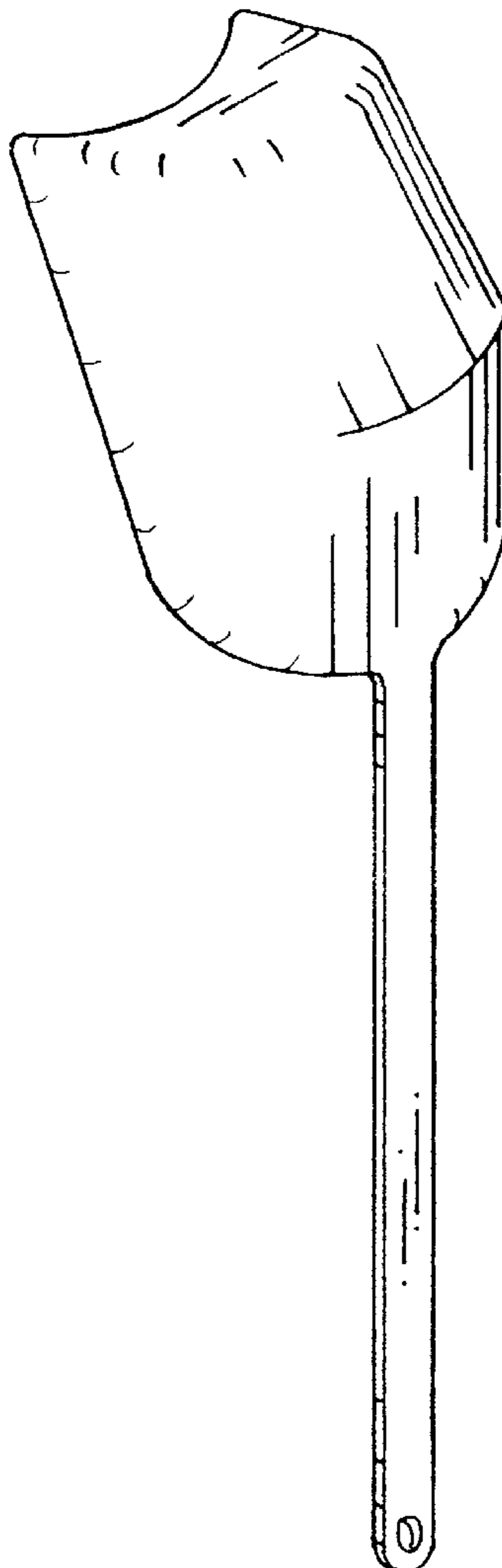
FIG. 3 is a top view thereof;

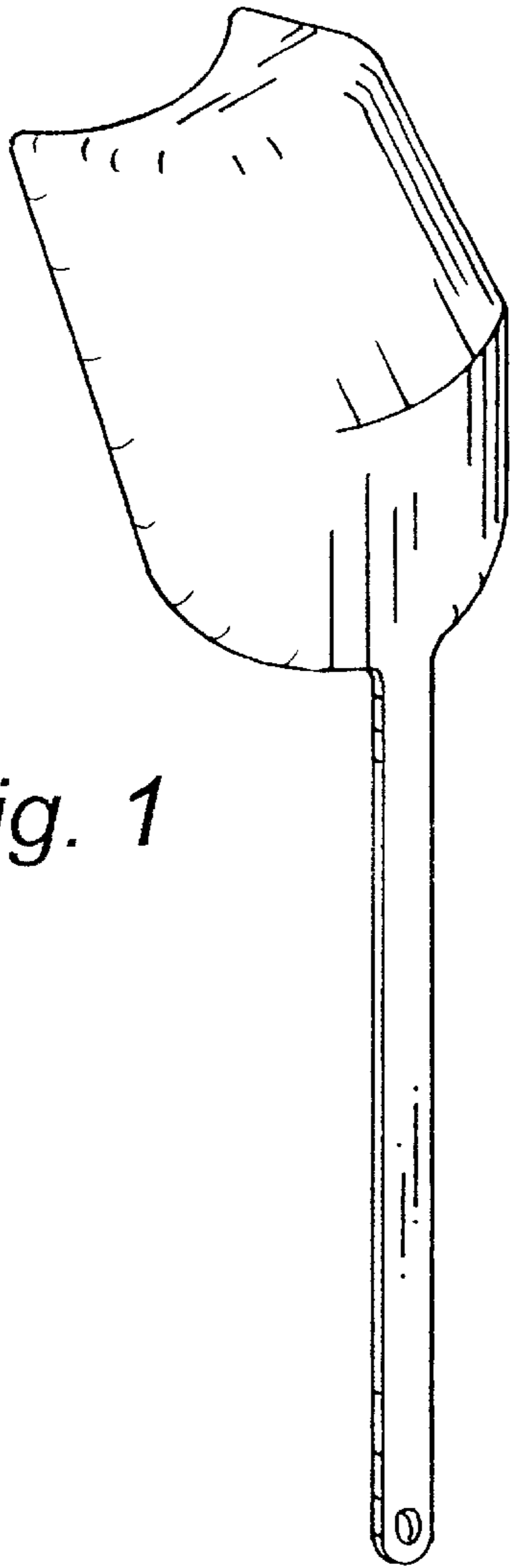
FIG. 4 is a bottom view thereof;

FIG. 5 is a front view thereof; and,

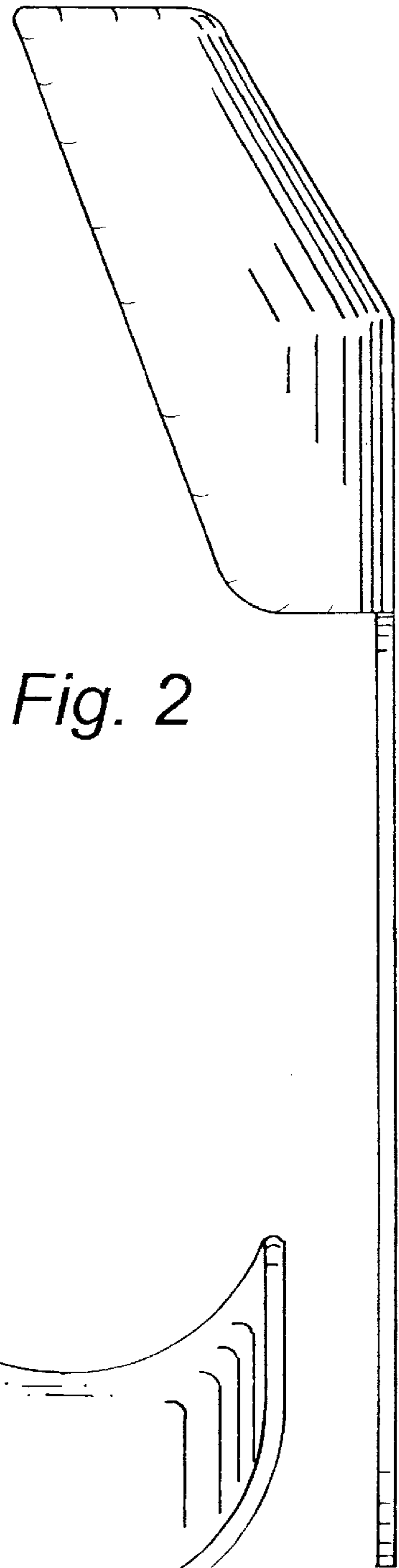
FIG. 6 is a rear view thereof.

**1 Claim, 2 Drawing Sheets**

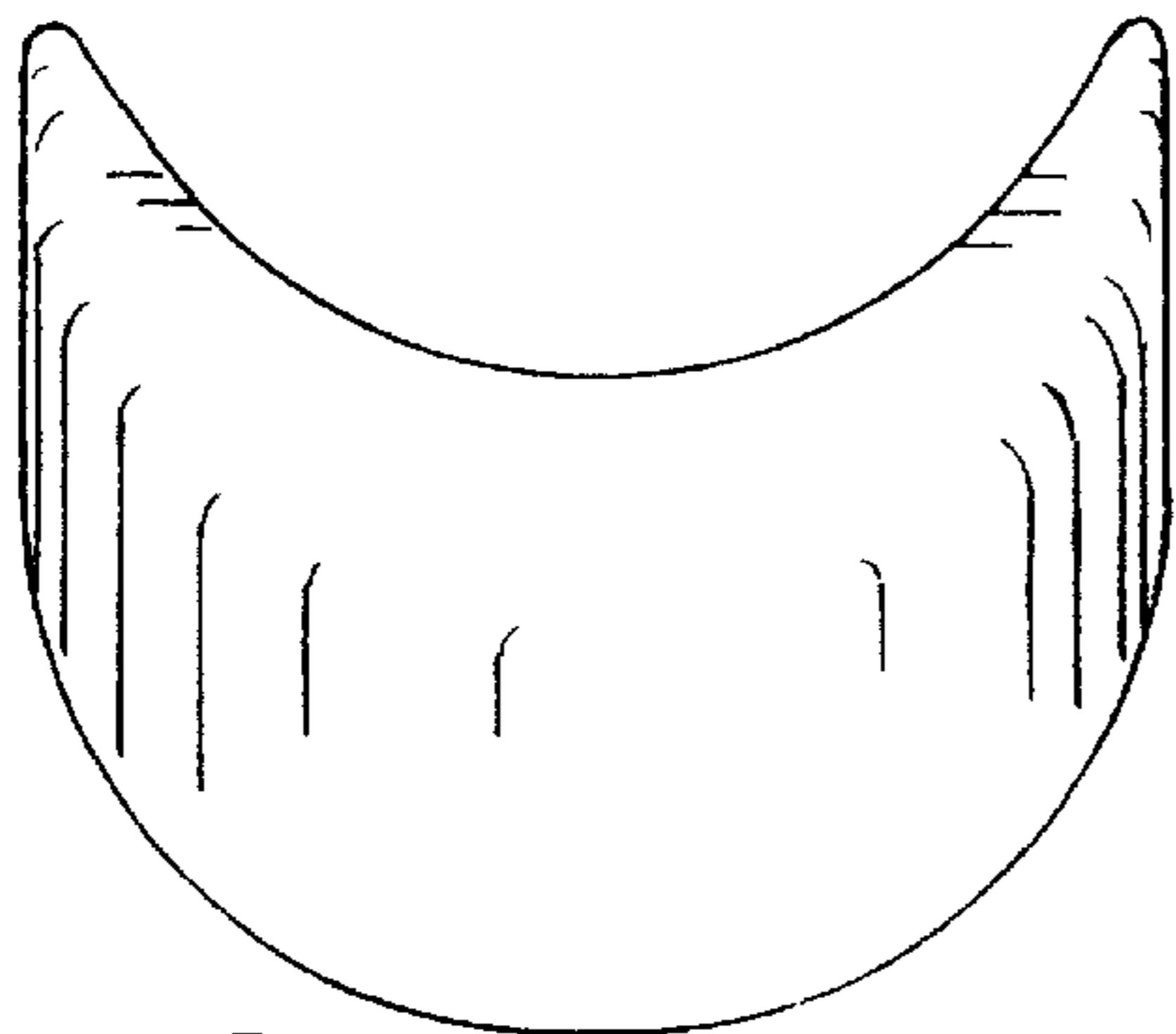




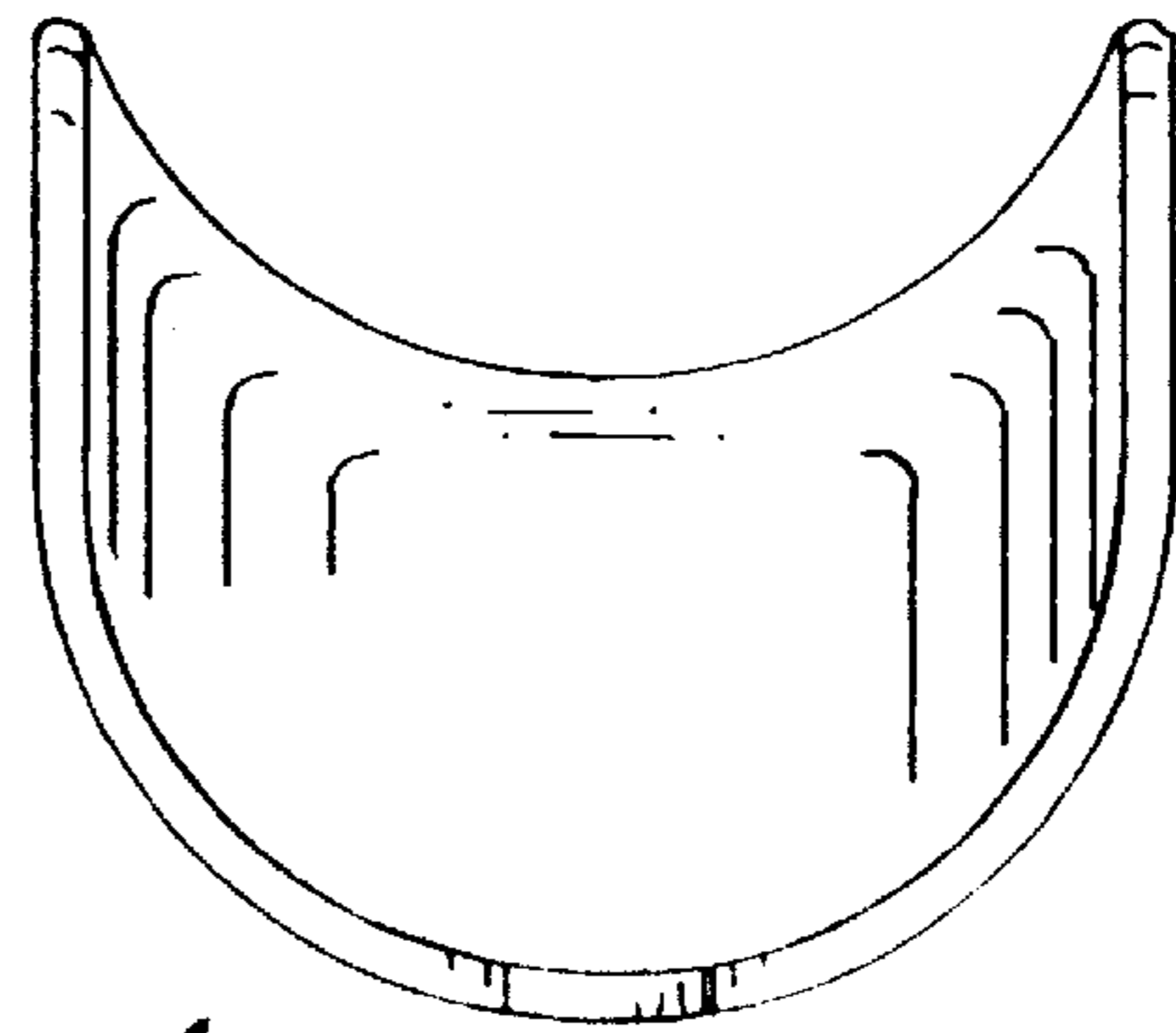
*Fig. 1*



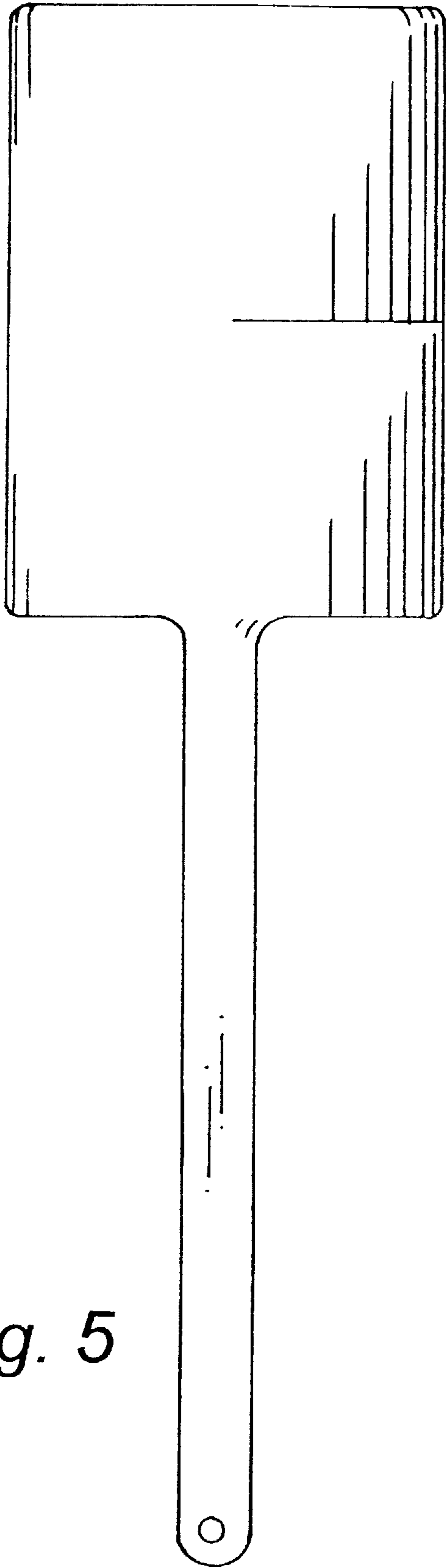
*Fig. 2*



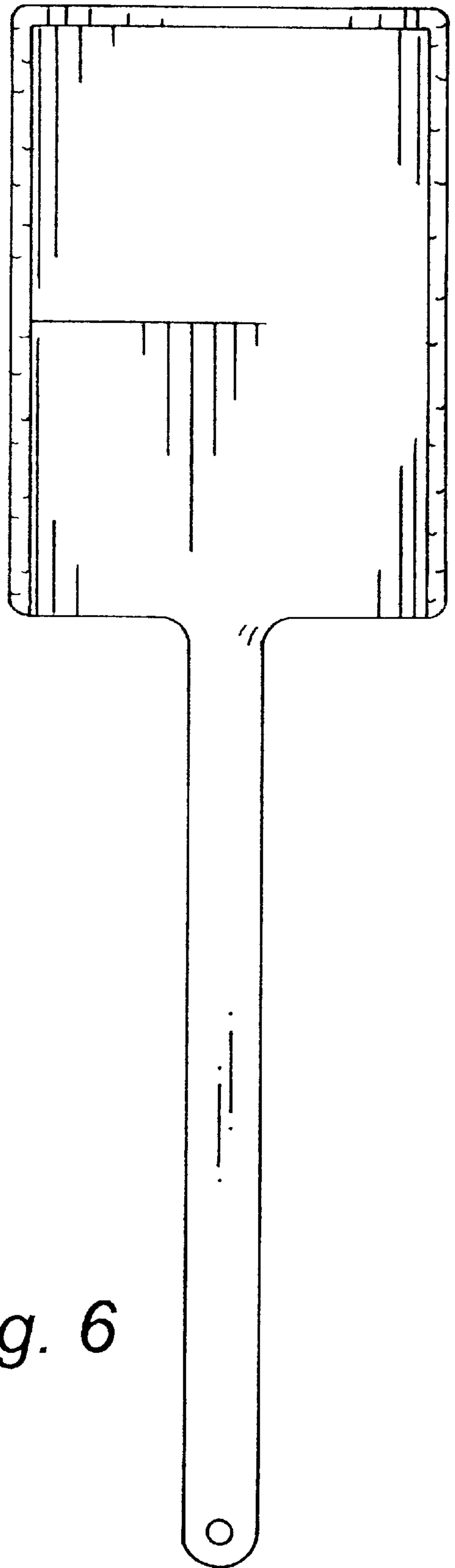
*Fig. 3*



*Fig. 4*



*Fig. 5*



*Fig. 6*