



US00D464164S

(12) **United States Design Patent**
Thompson

(10) **Patent No.:** **US D464,164 S**

(45) **Date of Patent:** **** Oct. 8, 2002**

(54) **CEILING LIGHT FIXTURE**

(75) Inventor: **Brandon Thompson**, Osceola, IN (US)

(73) Assignee: **R. B. Gustafson Company**, Elkhart, IN (US)

(**) Term: **14 Years**

(21) Appl. No.: **29/144,991**

(22) Filed: **Jul. 13, 2001**

(51) **LOC (7) Cl.** **26-03**

(52) **U.S. Cl.** **D26/89**

(58) **Field of Search** D26/72, 80-92,
D26/142-144, 152, 155; 362/147, 404-408,
432

(56) **References Cited**

U.S. PATENT DOCUMENTS

| | | | | | |
|------------|---|---------|----------------|-------|---------|
| D341,442 S | * | 11/1993 | Shapiro | | D26/118 |
| D341,443 S | * | 11/1993 | Shapiro | | D26/118 |
| D350,409 S | * | 9/1994 | Johnson et al. | | D26/86 |
| D443,713 S | * | 6/2001 | Benensohn | | D26/72 |

OTHER PUBLICATIONS

Home Lighting and Accessories Dec. 2001; p.12; fixture in lower left photo.*
Home Lighting and Accessories; Jun. 1998; p. 117; fixture in center right of page.*

Illuminotecnica Mar./Apr. 1997; p. 260; Model No. MF-32 in center of page.*

* cited by examiner

Primary Examiner—Alan P. Douglas

Assistant Examiner—Clare E. Heflin

(74) *Attorney, Agent, or Firm*—Fulwider, Patton, Lee & Utecht, LLP

(57) **CLAIM**

The ornamental design for a ceiling light fixture, as shown and described.

DESCRIPTION

FIG. 1 is a bottom perspective view showing my new design;

FIG. 2 is a bottom plan view thereof in enlarged scale;

FIG. 3 is a top plan view thereof in enlarged scale, the electric wires being shown broken away to depict indeterminate length; and,

FIG. 4 is a front view thereof in enlarged scale; the back view being a mirror image thereof.

1 Claim, 2 Drawing Sheets

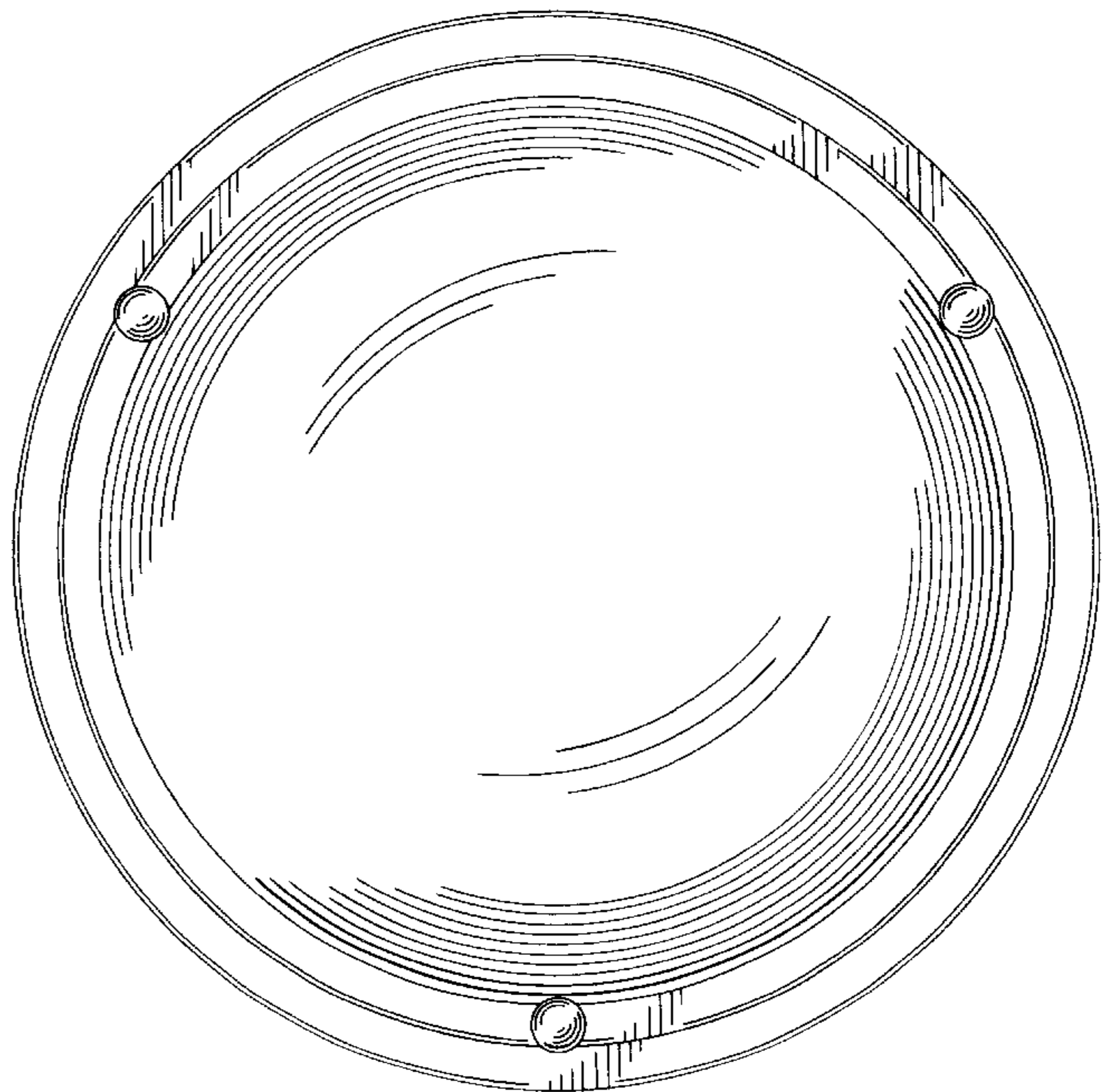
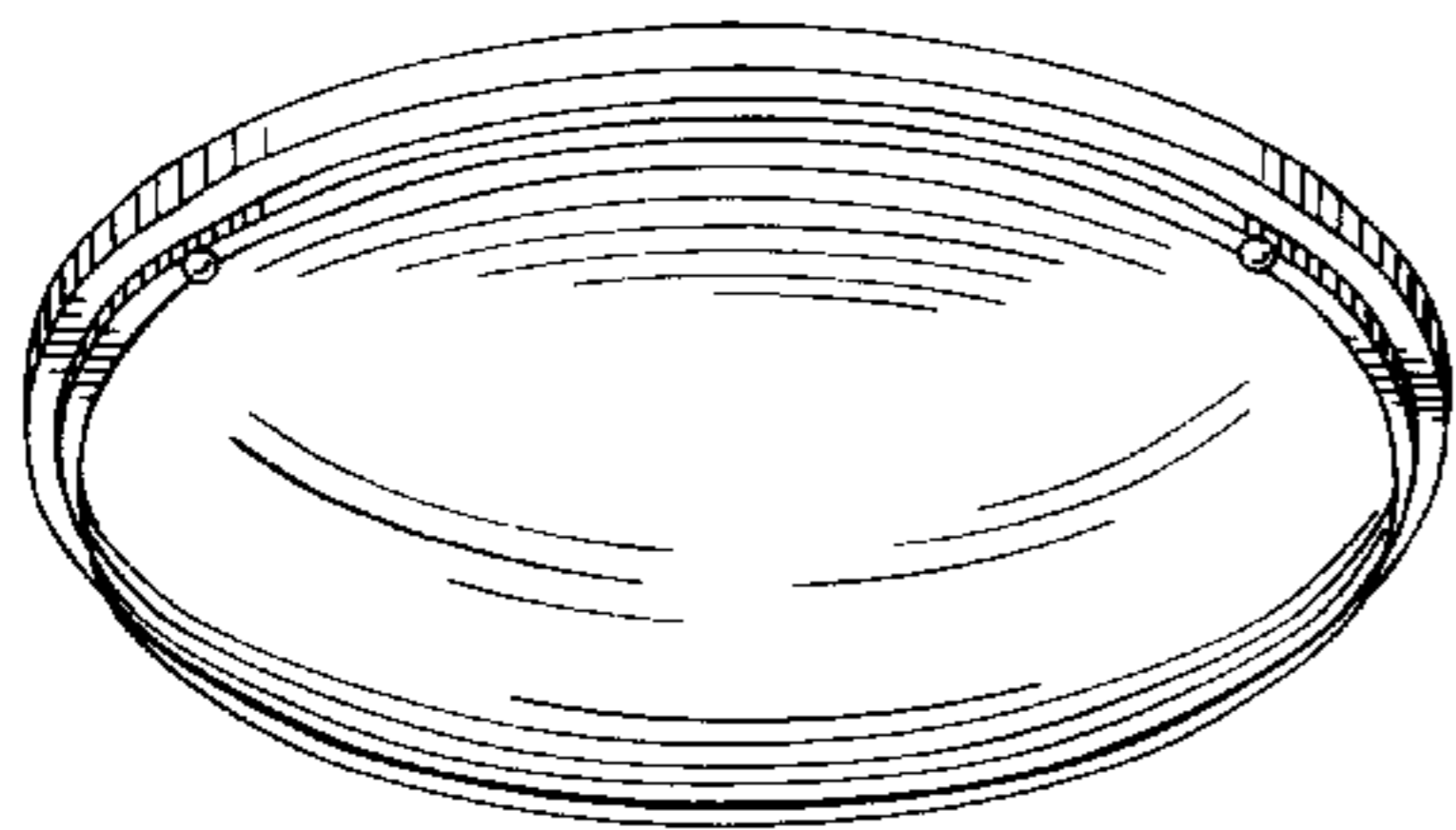


FIG. 1

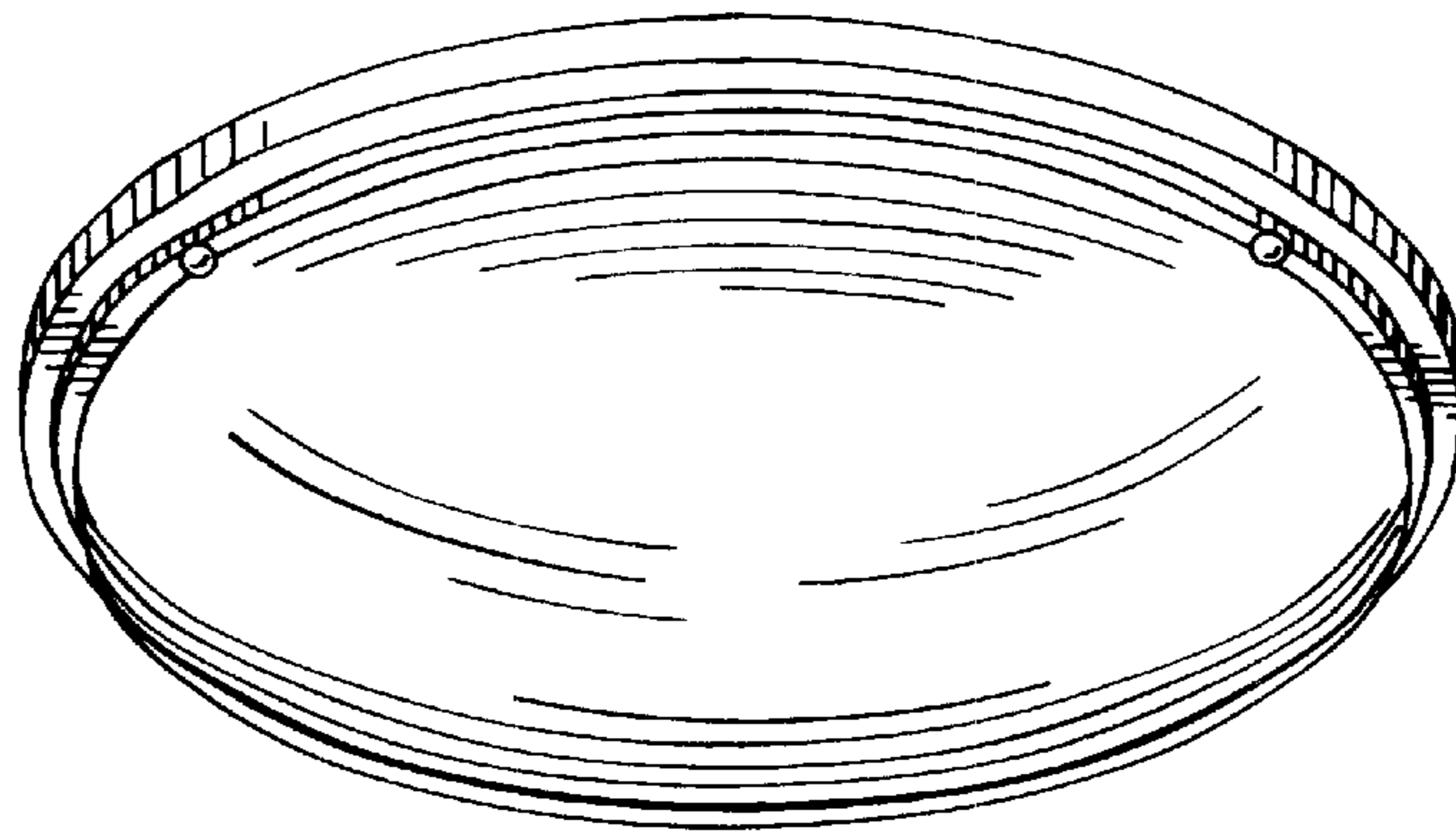


FIG. 2

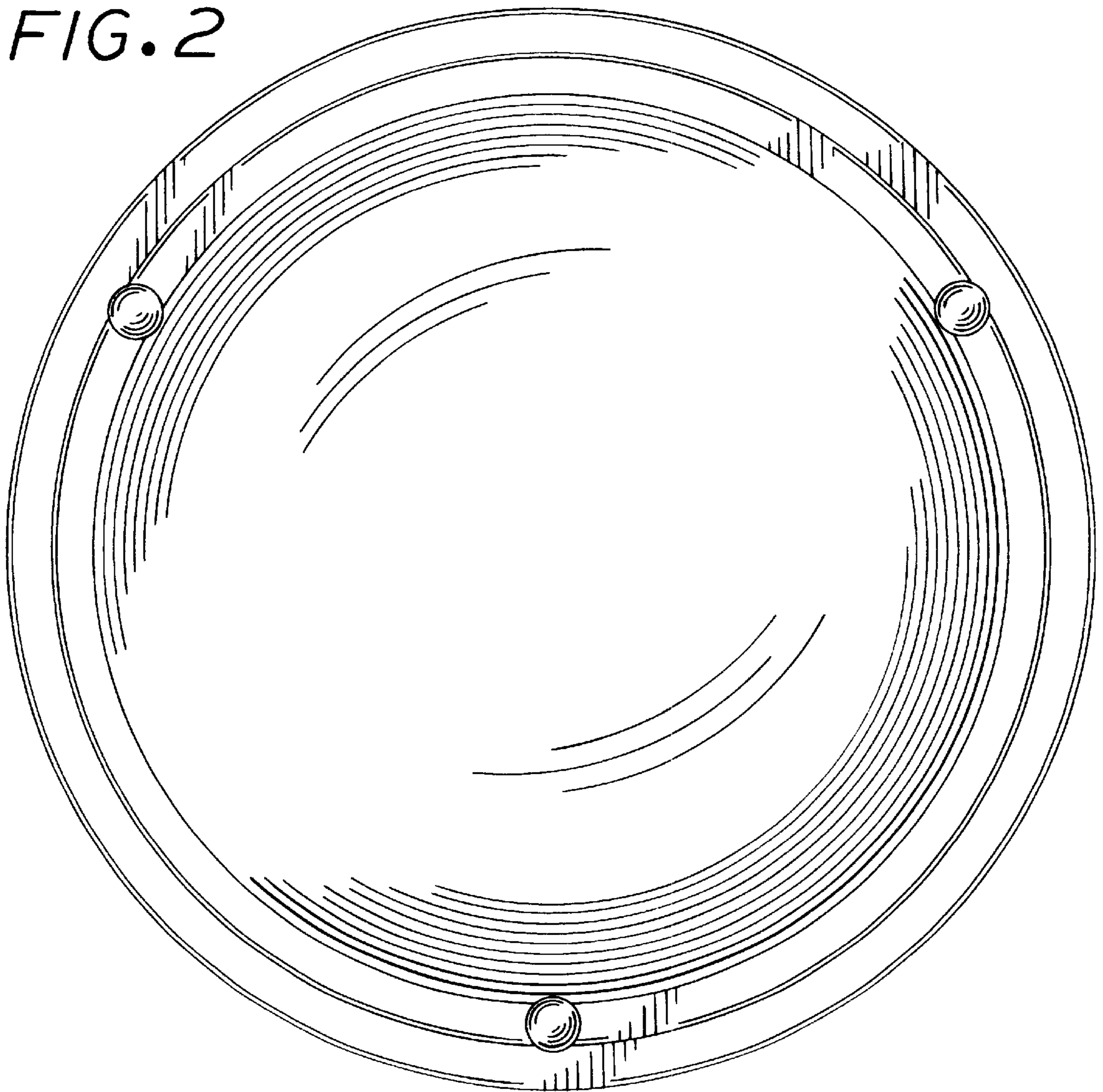


FIG. 3

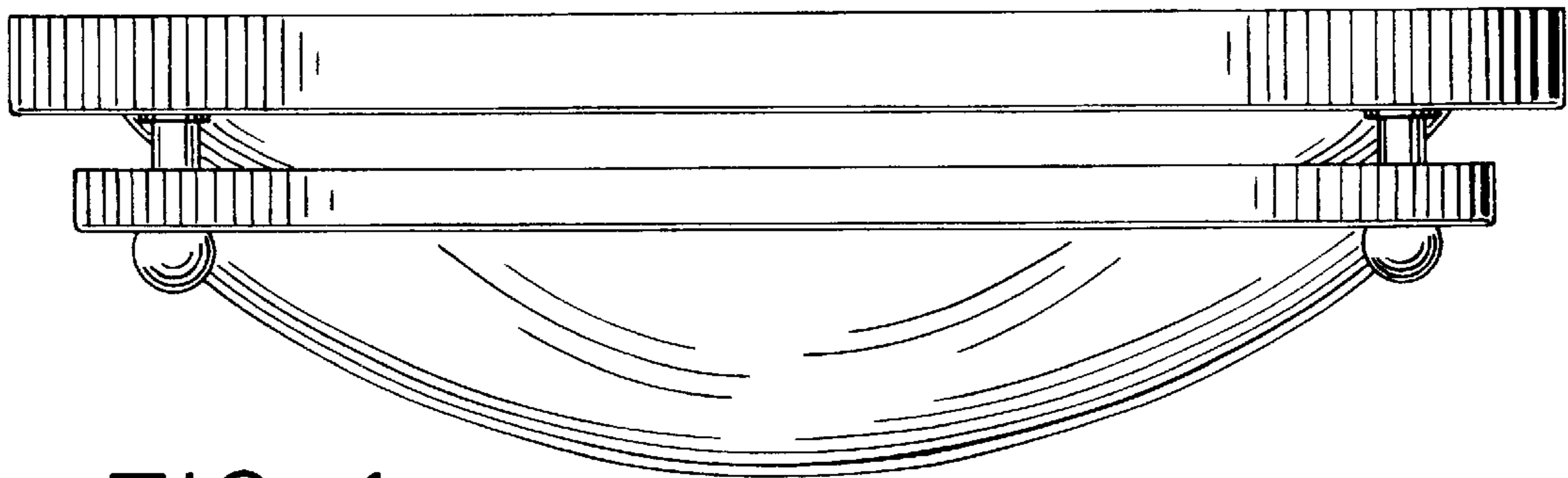
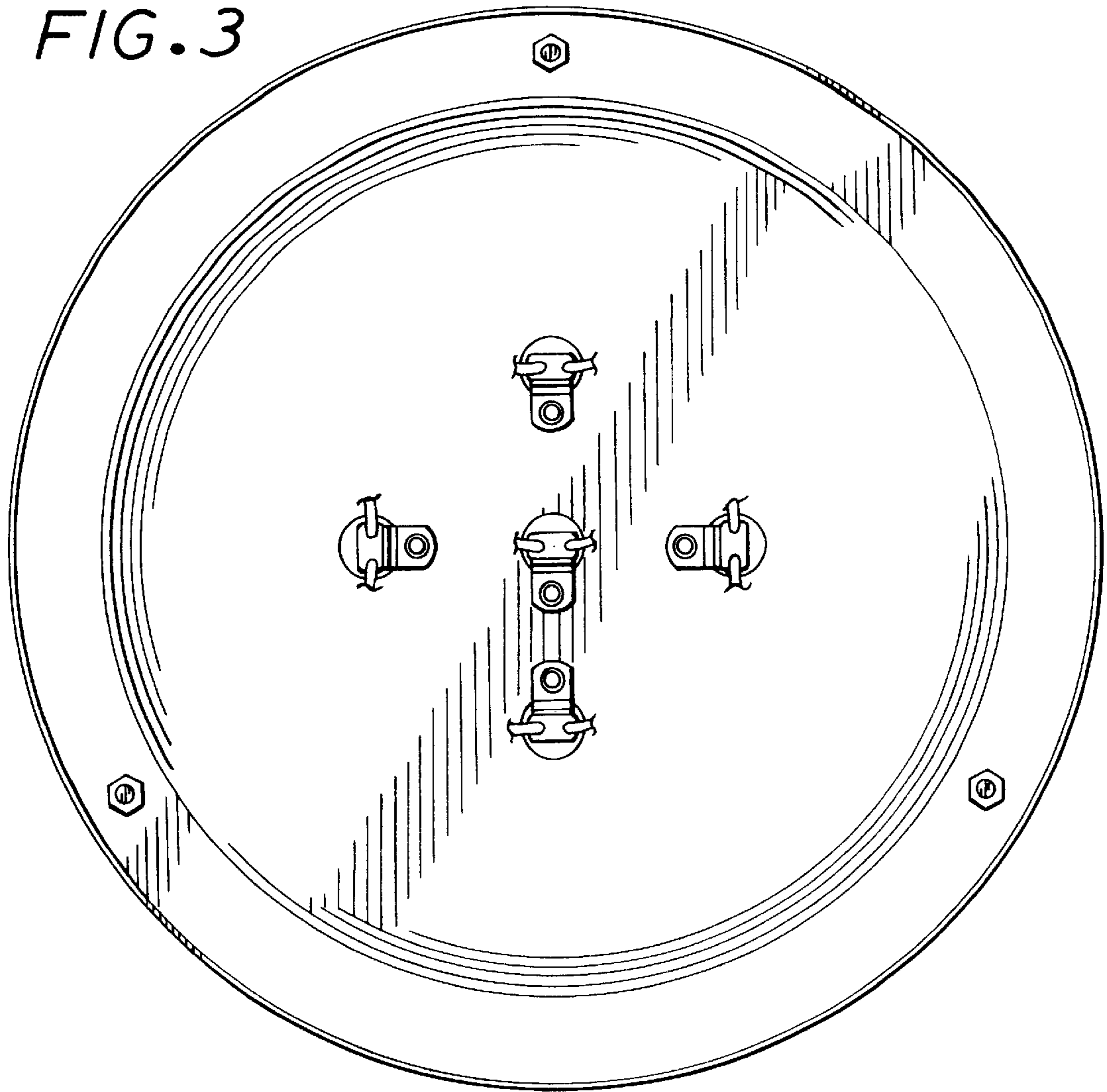


FIG. 4