



US00D464163S

(12) **United States Design Patent** (10) **Patent No.:** **US D464,163 S**  
**Orozco** (45) **Date of Patent:** **\*\* Oct. 8, 2002**

(54) **LIGHT FIXTURE**

(75) Inventor: **Sergio J. Orozco**, West New York, NJ (US)

(73) Assignee: **Quoizel, Inc.**, Goose Creek, SC (US)

(\*\*) Term: **14 Years**

(21) Appl. No.: **29/154,378**

(22) Filed: **Nov. 13, 2001**

(51) **LOC (7) Cl.** ..... **26-03**

(52) **U.S. Cl.** ..... **D26/87; D26/92**

(58) **Field of Search** ..... D26/72, 80, 83-92,  
D26/67-71; 362/404-408, 147, 310, 326,  
341, 346-353, 362, 363

(56) **References Cited**

**U.S. PATENT DOCUMENTS**

D62,542 S \* 6/1923 Anderson ..... D26/67  
D454,972 S \* 3/2002 De'Armond ..... D26/87

**OTHER PUBLICATIONS**

Sea Gull Lighting Products, Inc. 2001 catalog, p. 275; item 8890-44.\*

\* cited by examiner

*Primary Examiner*—Alan P. Douglas

*Assistant Examiner*—Clare E. Heflin

(74) *Attorney, Agent, or Firm*—Nelson Mullins Riley & Scarborough, L.L.P.

(57) **CLAIM**

The ornamental design of a light fixture, substantially as shown and described.

**DESCRIPTION**

FIG. 1 is a perspective view of a light fixture embodying the design of the present invention.

FIG. 2 is a front side elevational view of the light fixture illustrated in FIG. 1.

FIG. 3 is a left side elevational view of the light fixture illustrated in FIG. 1, with the right side elevational view being identical thereto.

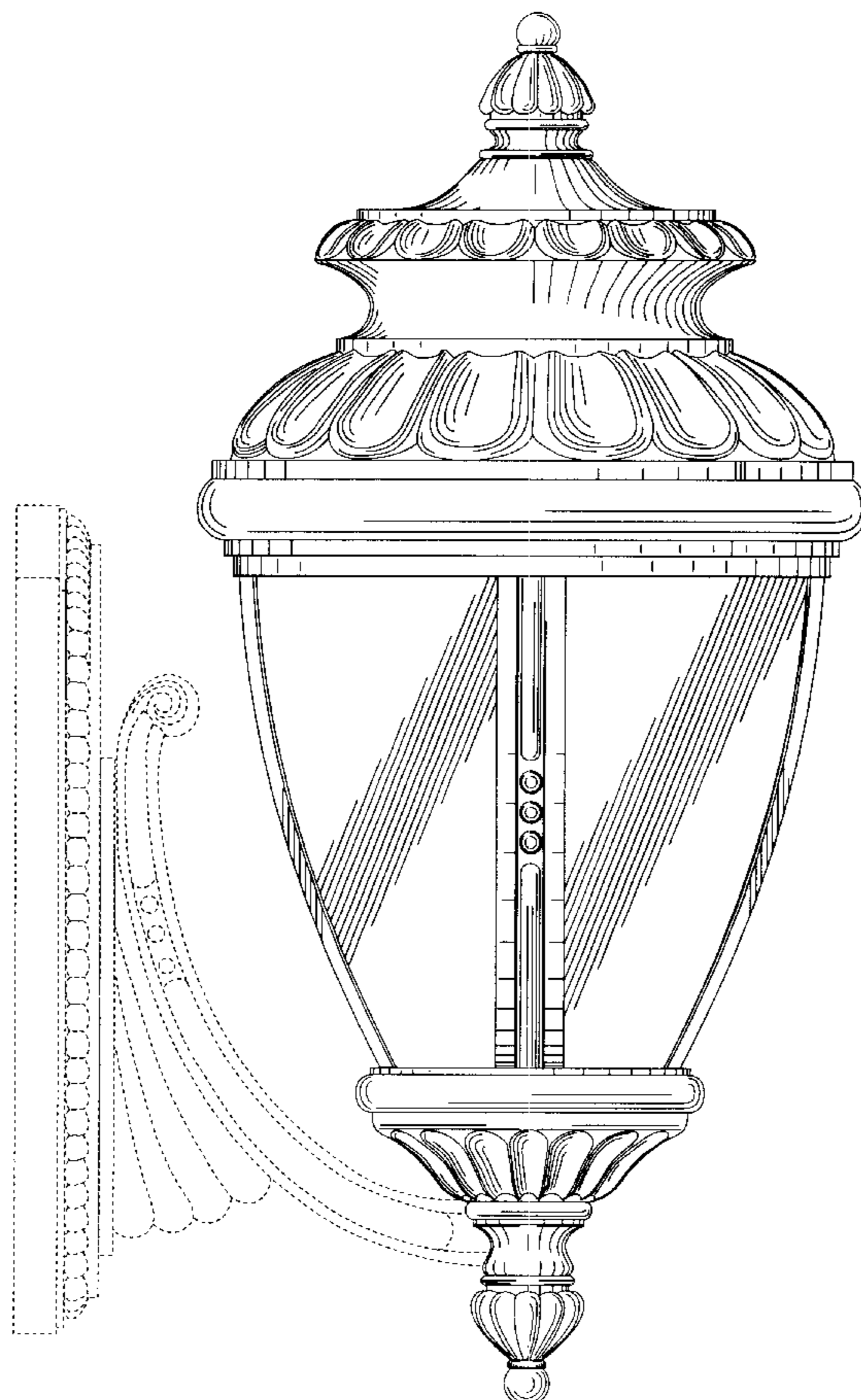
FIG. 4 is a back side elevational view of the light fixture illustrated in FIG. 1.

FIG. 5 is a top view of the light fixture illustrated in FIG. 1; and,

FIG. 6 is a bottom view of the light fixture illustrated in FIG. 1.

The mounting structure shown in broken lines forms no part of the claimed design.

**1 Claim, 6 Drawing Sheets**



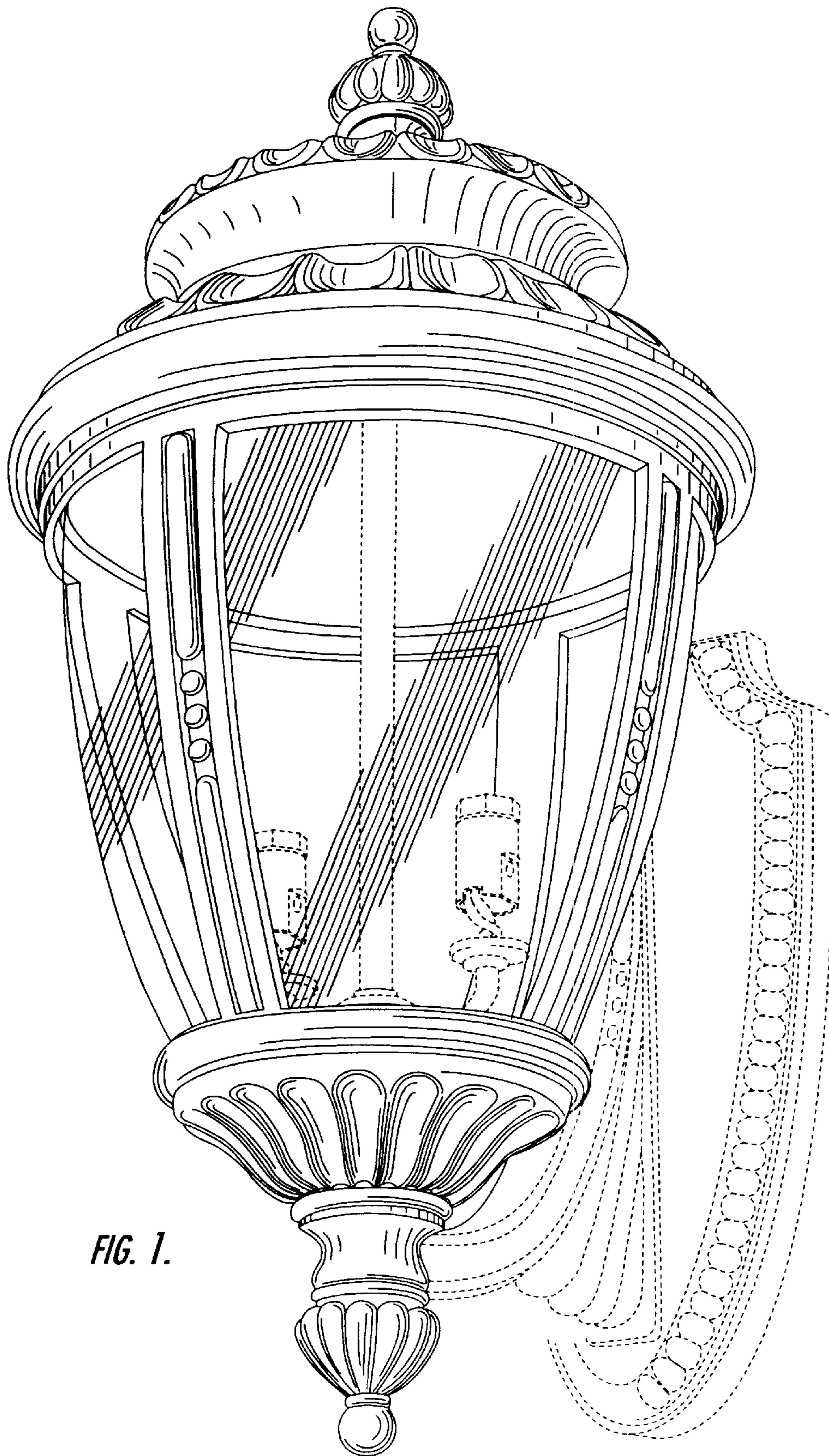


FIG. 1.

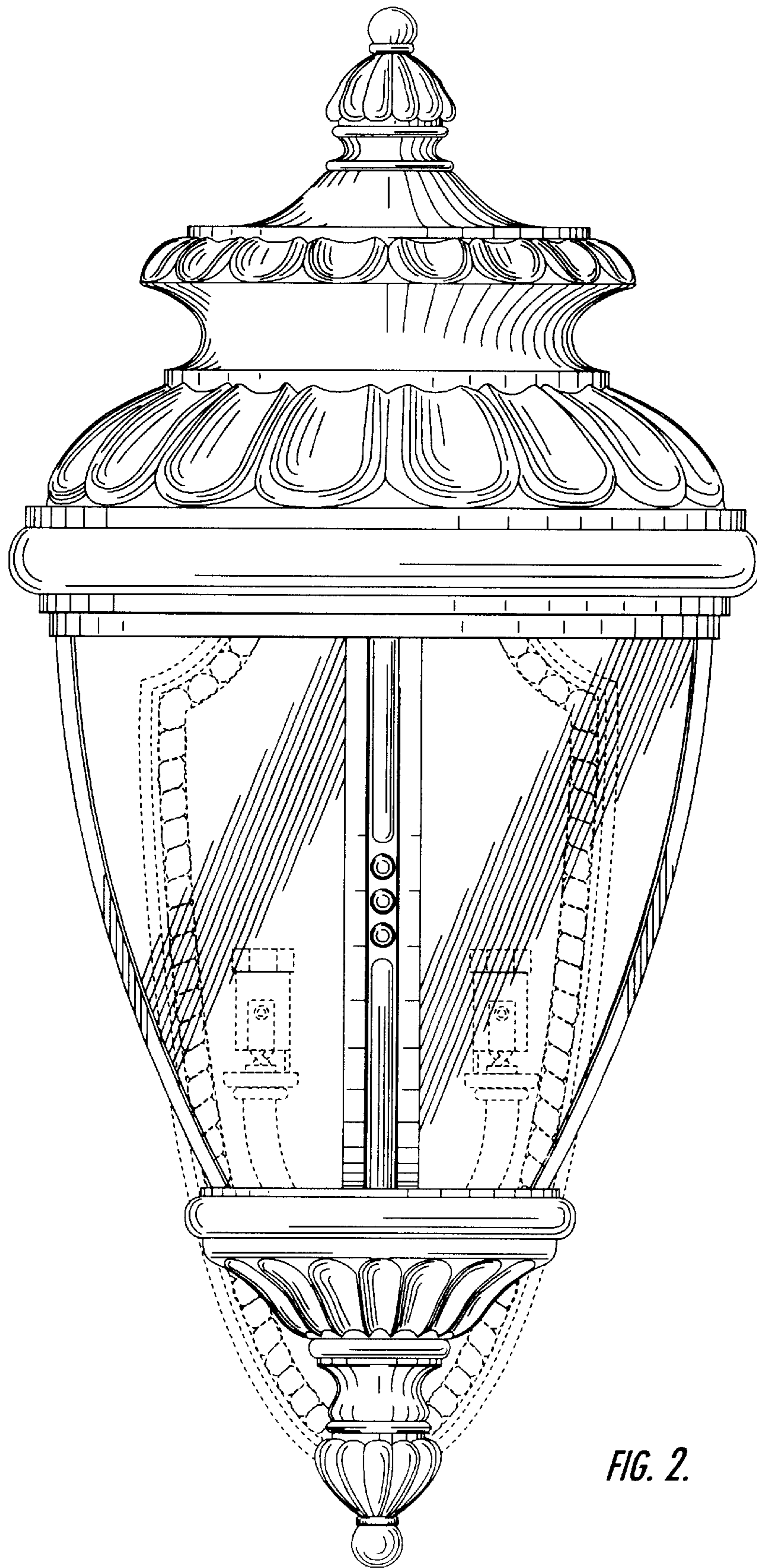


FIG. 2.

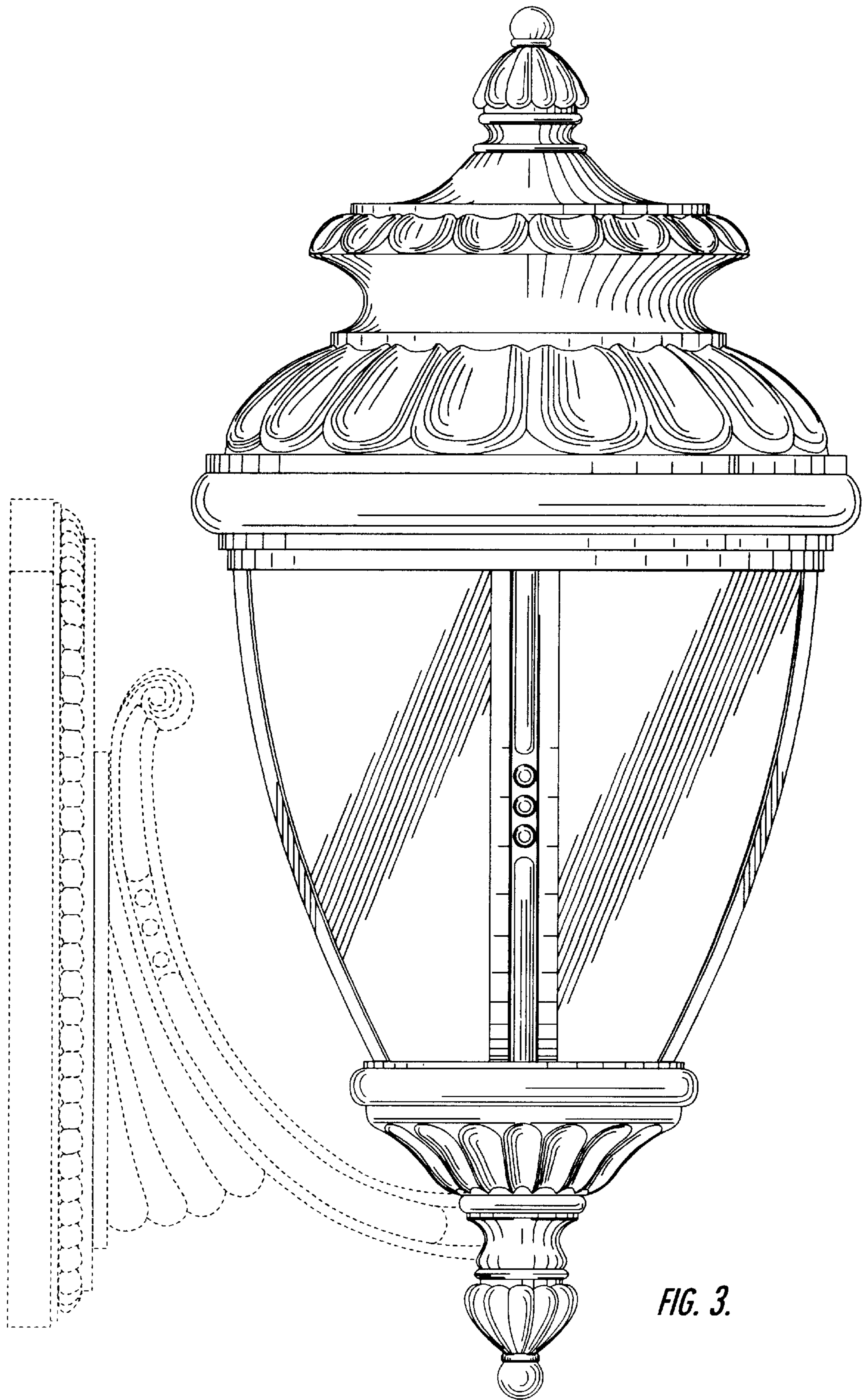


FIG. 3.

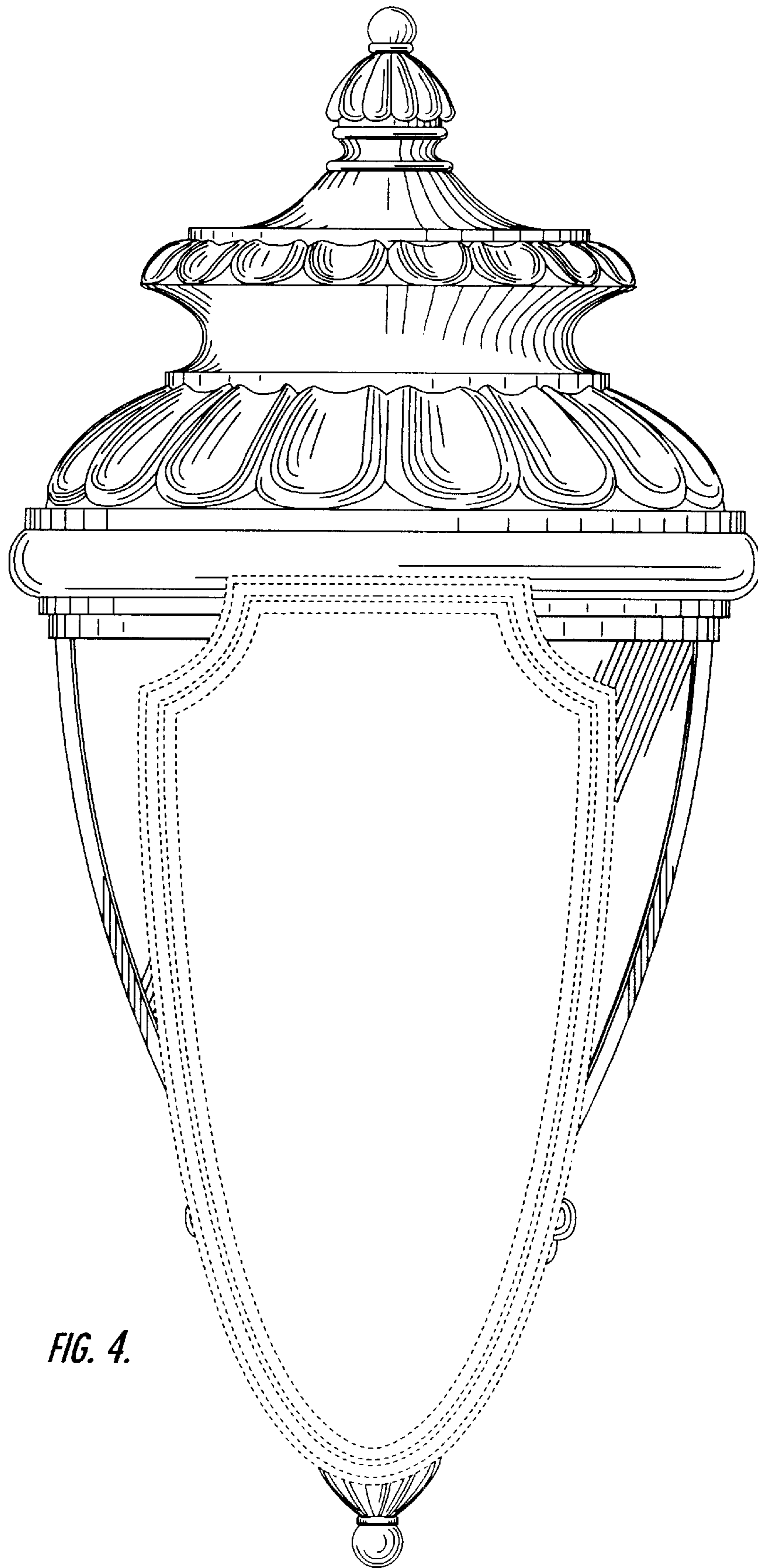


FIG. 4.

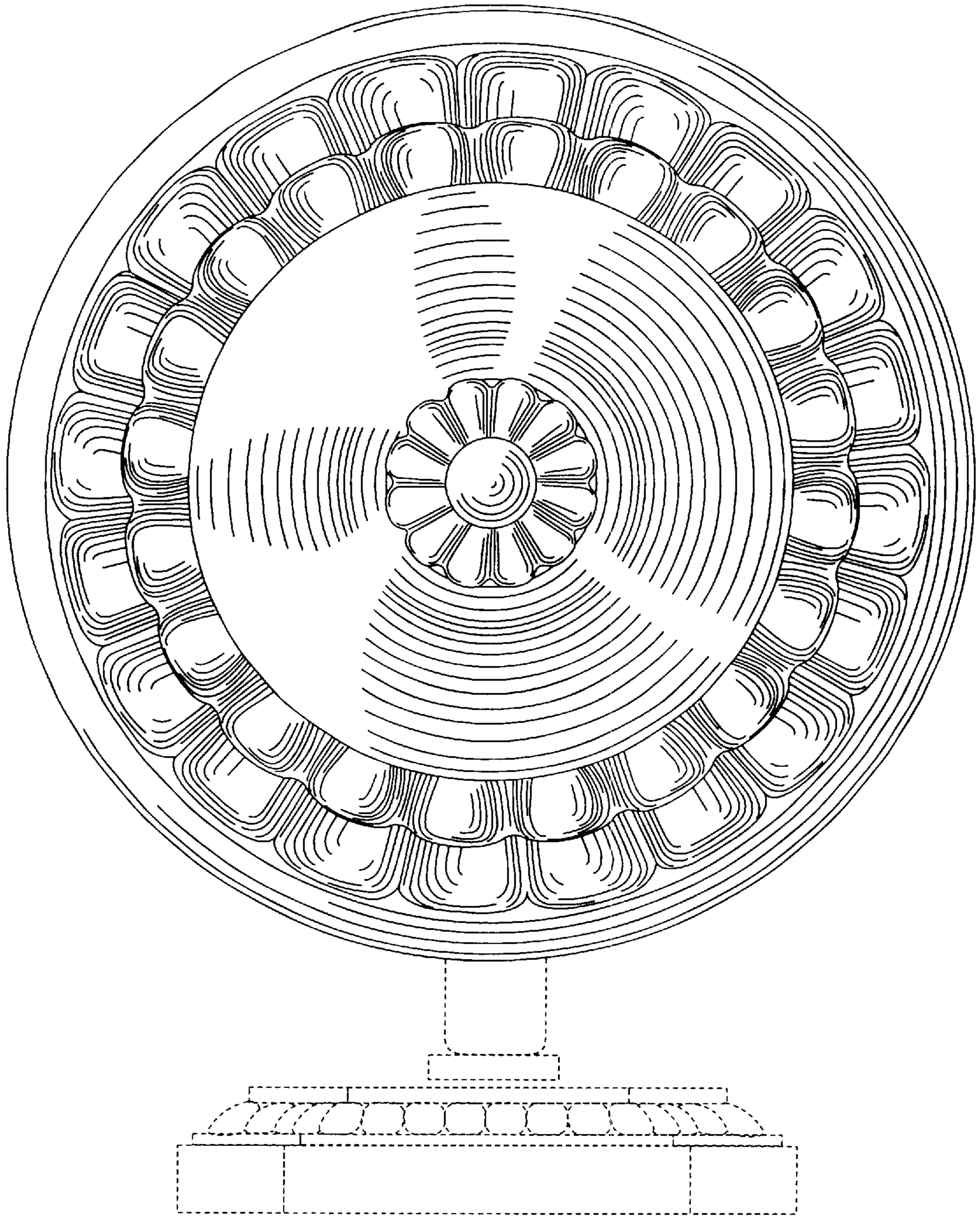


FIG. 5.

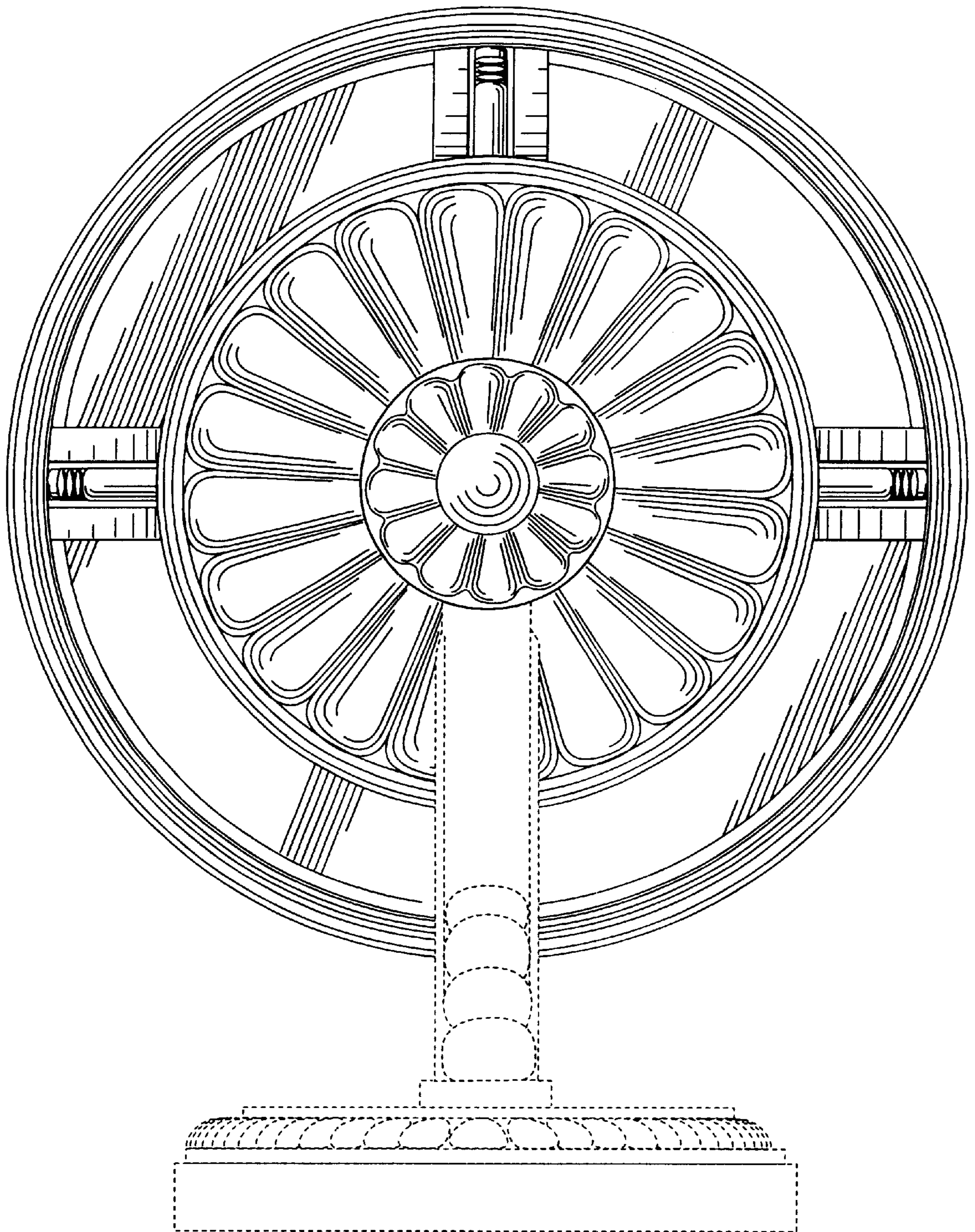


FIG. 6.