



US00D464162S

(12) **United States Design Patent**  
**Segretto**

(10) **Patent No.:** **US D464,162 S**

(45) **Date of Patent:** **\*\* Oct. 8, 2002**

(54) **LIGHTING FIXTURE**

(75) **Inventor:** **Perry Segretto, Elmhurst, IL (US)**

(73) **Assignee:** **JJI Lighting Group, Inc., Greenwich, CT (US)**

(\*\*) **Term:** **14 Years**

(21) **Appl. No.:** **29/137,732**

(22) **Filed:** **Feb. 28, 2001**

(51) **LOC (7) Cl.** ..... **26-03**

(52) **U.S. Cl.** ..... **D26/85; D26/80**

(58) **Field of Search** ..... **D26/75-79, 3, D26/26; 362/217, 218, 219, 220, 221, 222, 223**

(56) **References Cited**

**U.S. PATENT DOCUMENTS**

1,870,241 A	8/1932	Dorey	
2,352,804 A	7/1944	Schepmos	362/222
D166,034 S	2/1952	Gray	D26/85
2,770,717 A	11/1956	Schwartz et al.	362/222
2,988,633 A	6/1961	Rosenfield	362/219
D191,628 S	10/1961	Muller	D26/76
3,464,727 A	9/1969	Pascucci	362/374
3,524,050 A	8/1970	Gustine	362/219
4,001,571 A	1/1977	Martin	362/221
D286,916 S	11/1986	Worrell	D26/85
4,639,841 A	1/1987	Salestrom et al.	362/227
4,726,781 A	2/1988	Bernhaut et al.	362/219
4,816,969 A	3/1989	Miller	D26/85 X
4,866,583 A	9/1989	Targetti	362/225
4,998,188 A	3/1991	Degelmann	362/147
5,113,328 A	5/1992	Foster et al.	362/223
5,124,896 A	6/1992	Bentley	362/223
D329,104 S	* 9/1992	Dieperink	D26/87
D330,269 S	10/1992	Hong	D26/85
5,226,724 A	7/1993	Kanarek	362/219
5,404,279 A	4/1995	Wood	362/145

D359,374 S	6/1995	Weinstock	.....	D26/80
5,521,805 A	5/1996	Lim	.....	362/221
5,523,930 A	* 6/1996	Fritts	.....	2/238
5,582,522 A	12/1996	Johnson	.....	439/214
5,658,067 A	8/1997	Engle et al.	.....	362/219
D383,560 S	9/1997	Palmer	.....	D26/72
D386,278 S	11/1997	Engle et al.	.....	D26/76
5,702,176 A	12/1997	Engle	.....	362/219
5,823,655 A	10/1998	Brooks	.....	362/145

\* cited by examiner

*Primary Examiner*—Alan P. Douglas

*Assistant Examiner*—Clare Heflin

(74) *Attorney, Agent, or Firm*—Fitzpatrick, Cella, Harper & Scinto

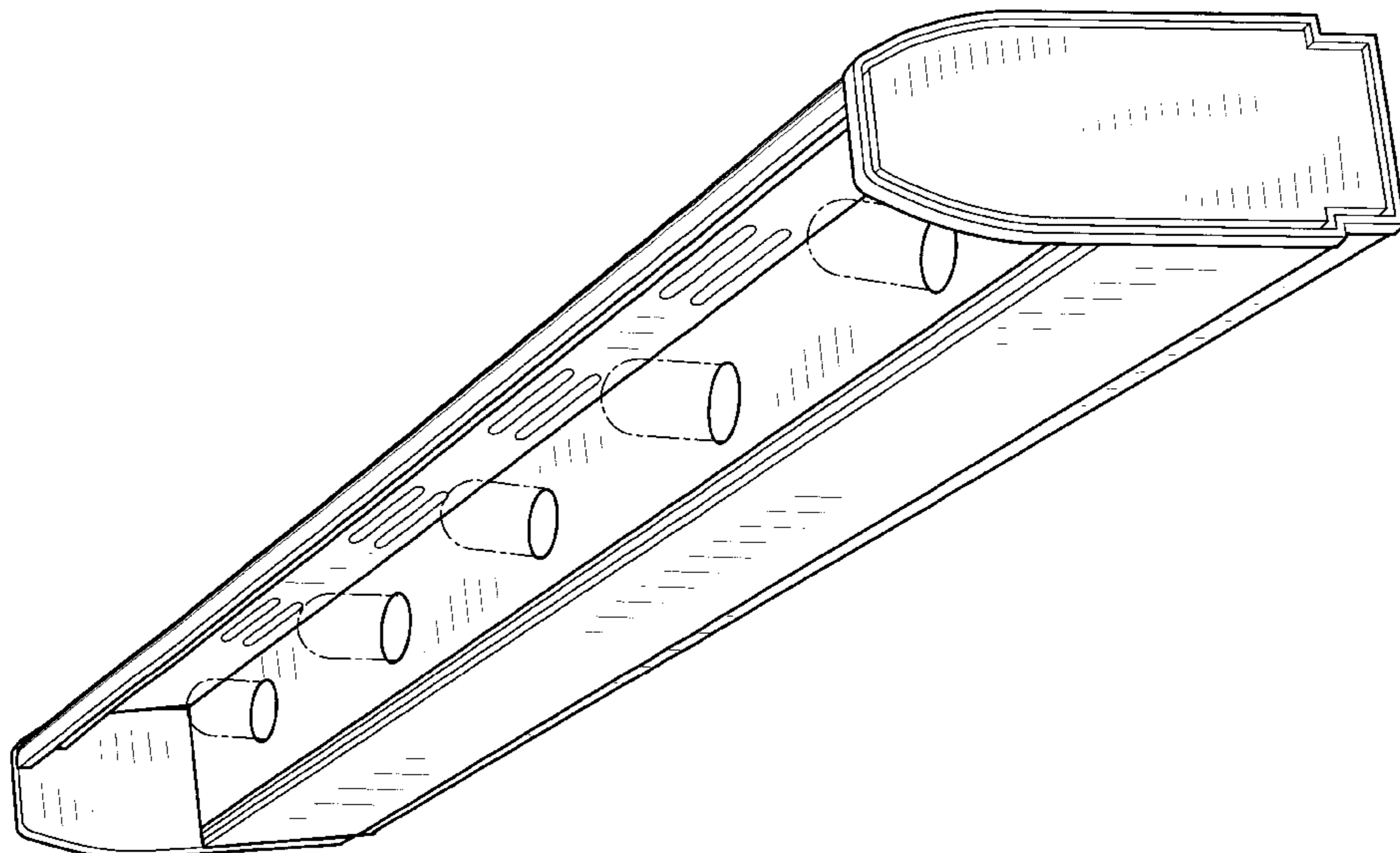
(57) **CLAIM**

The ornamental design for a lighting fixture, as shown and described.

**DESCRIPTION**

FIG. 1 is a perspective view of a lighting fixture showing my new design;  
 FIG. 2 is a top view thereof;  
 FIG. 3 is a front view thereof;  
 FIG. 4 is a bottom view thereof;  
 FIG. 5 is a rear view thereof;  
 FIG. 6 is an end view thereof;  
 FIG. 7 is a rear perspective view of the embodiment of FIGS. 1-6 with a curved rear facia;  
 FIG. 8 is a rear perspective view of the embodiment of FIGS. 1-6 with a single rib facia;  
 FIG. 9 is a rear perspective view of the embodiment of FIGS. 1-6 with a curved and ribbed rear facia; and,  
 FIG. 10 is a rear perspective view of the embodiment of FIGS. 1-6 with a flat rear facia.  
 The broken lines shown on the drawings are for illustrative purposes only and form no part of the claimed design.

**1 Claim, 5 Drawing Sheets**



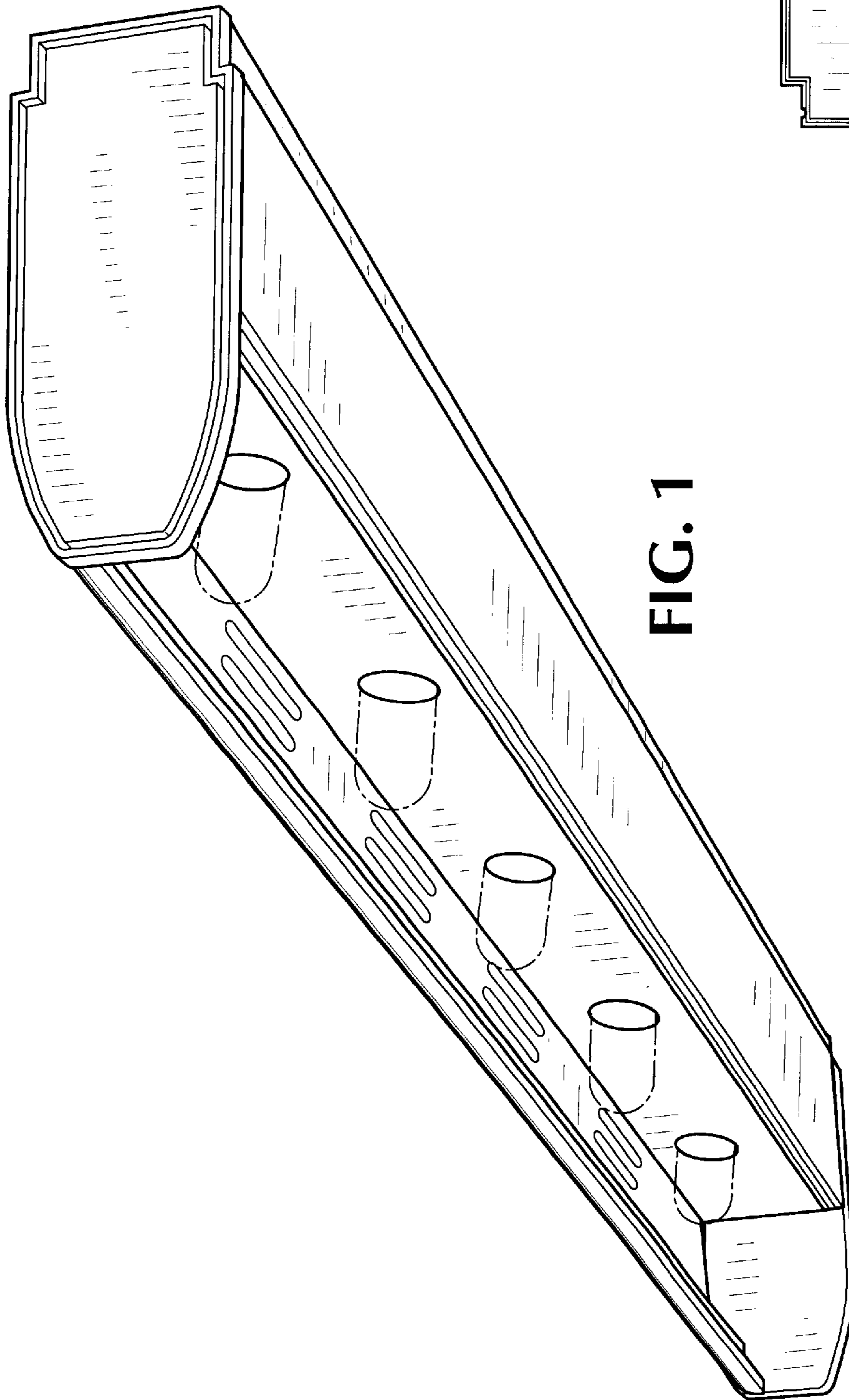


FIG. 1

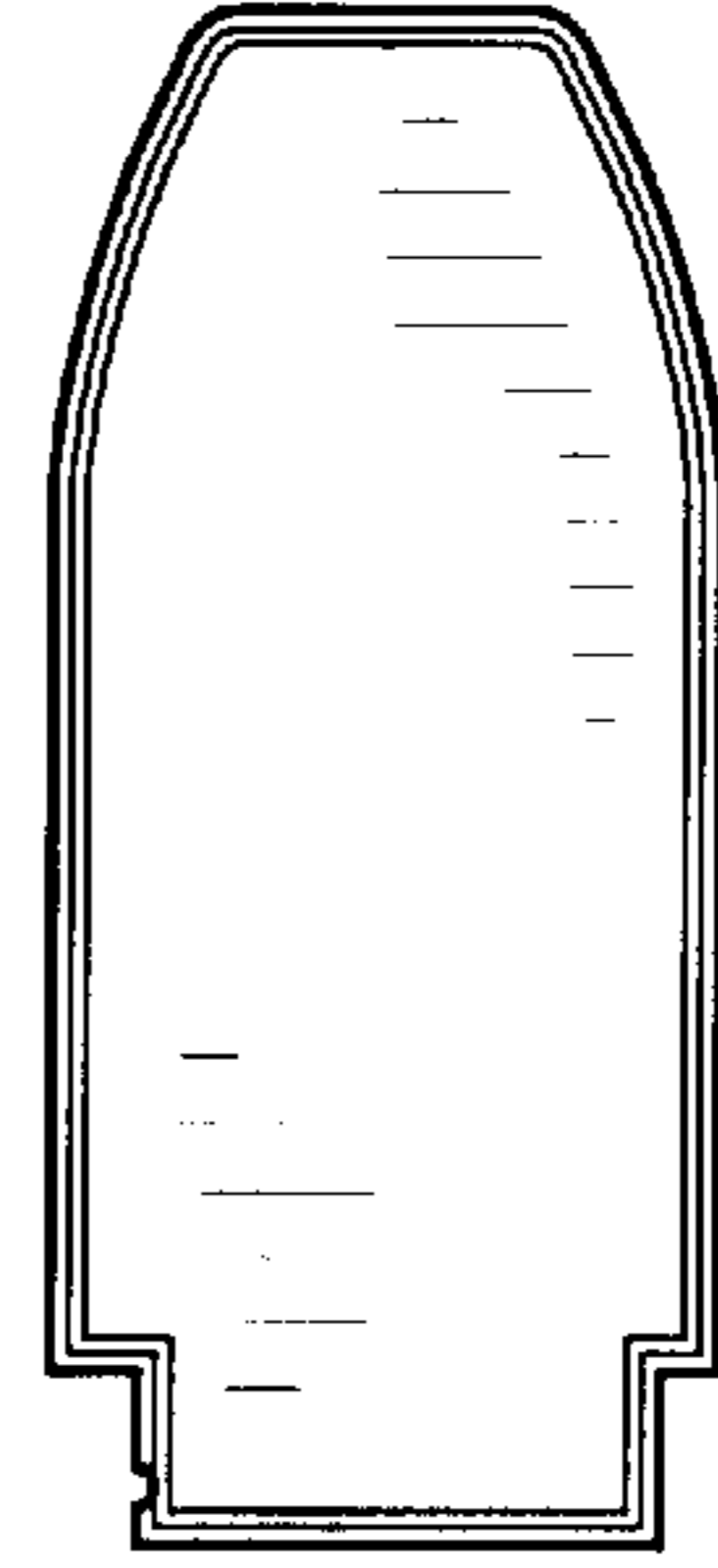


FIG. 6

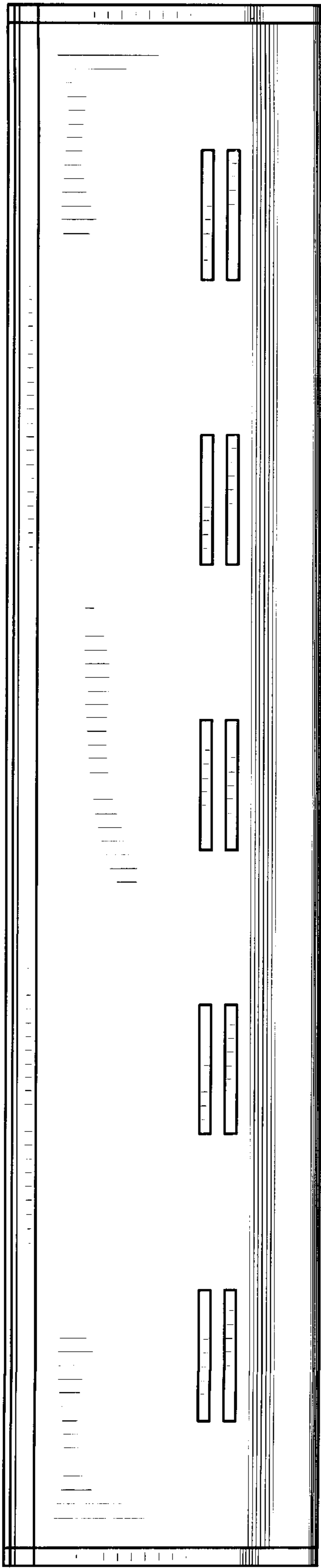


FIG. 2

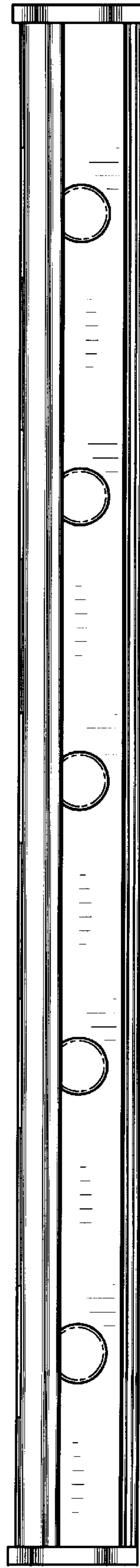


FIG. 3

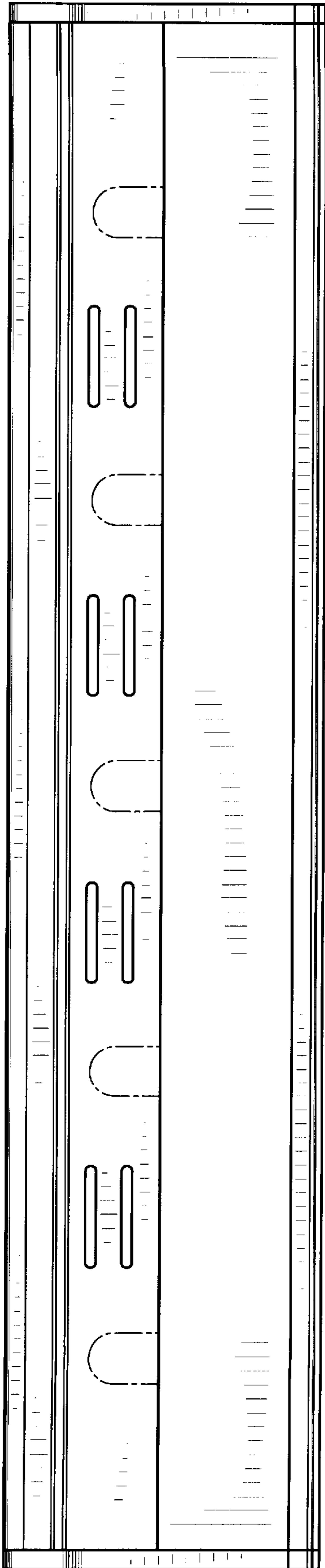


FIG. 4

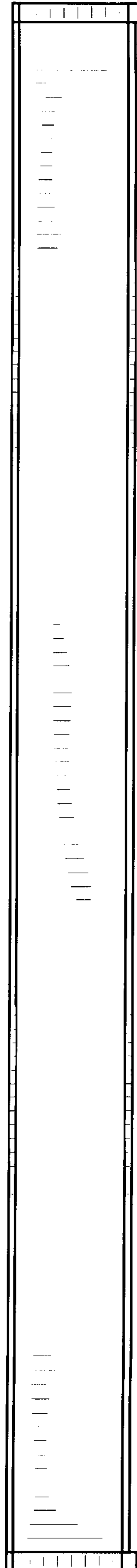


FIG. 5

