



US00D464160S

(12) **United States Design Patent**
Ludwig

(10) **Patent No.:** **US D464,160 S**

(45) **Date of Patent:** **** Oct. 8, 2002**

(54) **LIGHTING APPARATUS**

(75) **Inventor:** **James N. Ludwig**, E. Grand Rapids, MI (US)

(73) **Assignee:** **Steelcase Development Corporation**, Caledonia, MI (US)

(**) **Term:** **14 Years**

(21) **Appl. No.:** **29/133,645**

(22) **Filed:** **Nov. 28, 2000**

(51) **LOC (7) Cl.** **26-03**

(52) **U.S. Cl.** **D26/76; D26/85**

(58) **Field of Search** D26/72-92; 362/147, 362/217-223, 224, 225, 292, 341, 346, 347

(56) **References Cited**

U.S. PATENT DOCUMENTS

- 2,159,296 A 5/1939 Sharp
- 2,202,266 A 5/1940 Phillips
- 3,389,246 A 6/1968 Shemitz
- 3,471,629 A 10/1969 O'Leary
- 4,300,185 A 11/1981 Wakamatsu
- 4,748,543 A 5/1988 Swarens
- 4,866,584 A 9/1989 Plewman
- 4,920,458 A 4/1990 Jones
- D321,407 S * 11/1991 Heidmann D26/72
- 5,331,526 A 7/1994 Girot et al.
- 5,357,413 A 10/1994 Mandall
- D356,876 S 3/1995 Waldmann
- 5,394,658 A 3/1995 Schreiner et al.
- D364,478 S 11/1995 Pesau
- 5,511,348 A 4/1996 Cornell et al.
- 5,521,801 A 5/1996 Pesau et al.
- D377,990 S * 2/1997 Nakano D26/65
- 5,743,054 A 4/1998 Luchetti et al.
- D397,819 S 9/1998 Thorton, Jr.
- 5,806,967 A 9/1998 Soorus et al.

- 5,845,988 A 12/1998 Mandall
- 6,056,416 A 5/2000 Ngai et al.
- D450,874 S * 11/2001 Heiny et al. D26/78

OTHER PUBLICATIONS

Exhibit A, Discloses information on a prior art furniture system known as "CURRENT", manufactured by Knoll Int'l., as shown on their website: www.knoll.com.
Exhibit B, Discloses a brochure showing prior art furniture known as "CURRENT", published by Knoll Int'l.
Exhibit C, U.S. patent application Ser. No. 09/289,778, filed Apr. 9, 1999, entitled Furniture Arrangement Configured to Support Overhead Utilities and Lighting (drawings attached).

* cited by examiner

Primary Examiner—Alan P. Douglas

Assistant Examiner—Clare E. Heflin

(74) *Attorney, Agent, or Firm*—Price Heneveld Cooper DeWitt & Litton

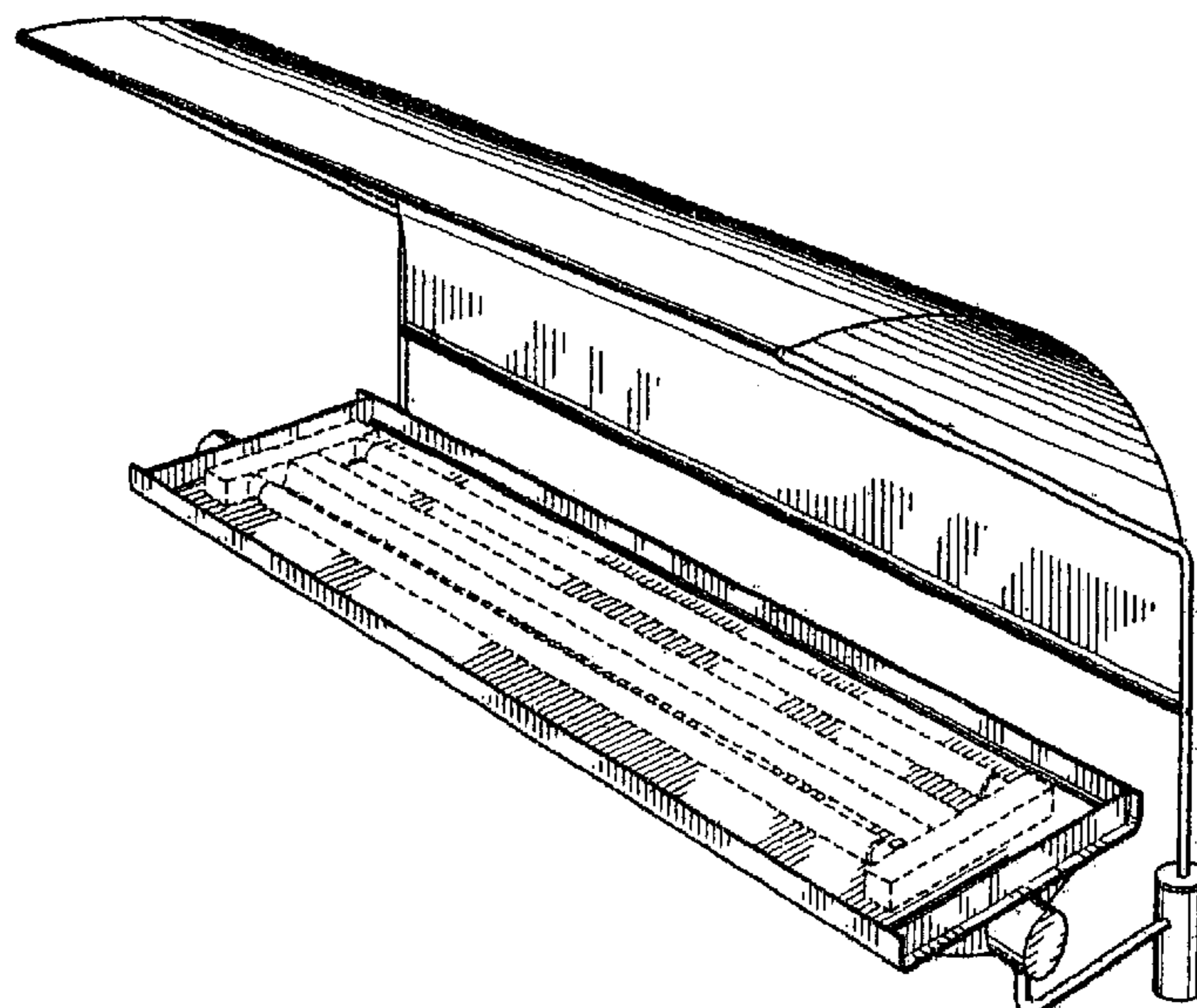
(57) **CLAIM**

I claim the ornamental design for a lighting apparatus, as shown and described.

DESCRIPTION

FIG. 1 is a front top perspective view of a lighting apparatus showing my design;
FIG. 2 is a front view of FIG. 1;
FIG. 3 is a rear view of FIG. 1;
FIG. 4 is a top view of FIG. 1;
FIG. 5 is a bottom view of FIG. 1; and,
FIG. 6 is end view of FIG. 1, the opposite end view being a mirror image thereof.
The dashed and phantom lines in the FIGS. 1-2, and 6 are to show the environment and do not form a part of the present invention.

1 Claim, 3 Drawing Sheets



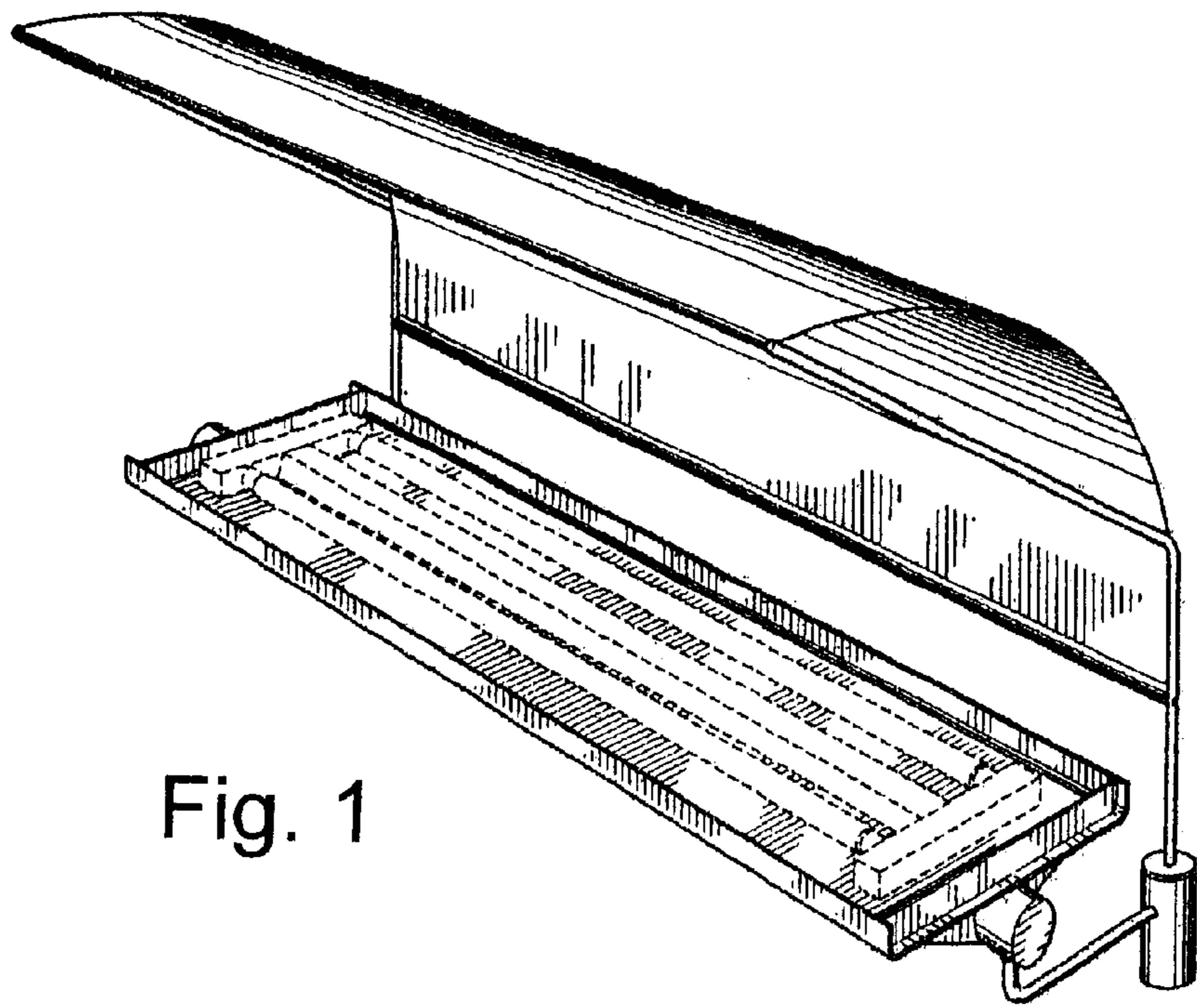


Fig. 1

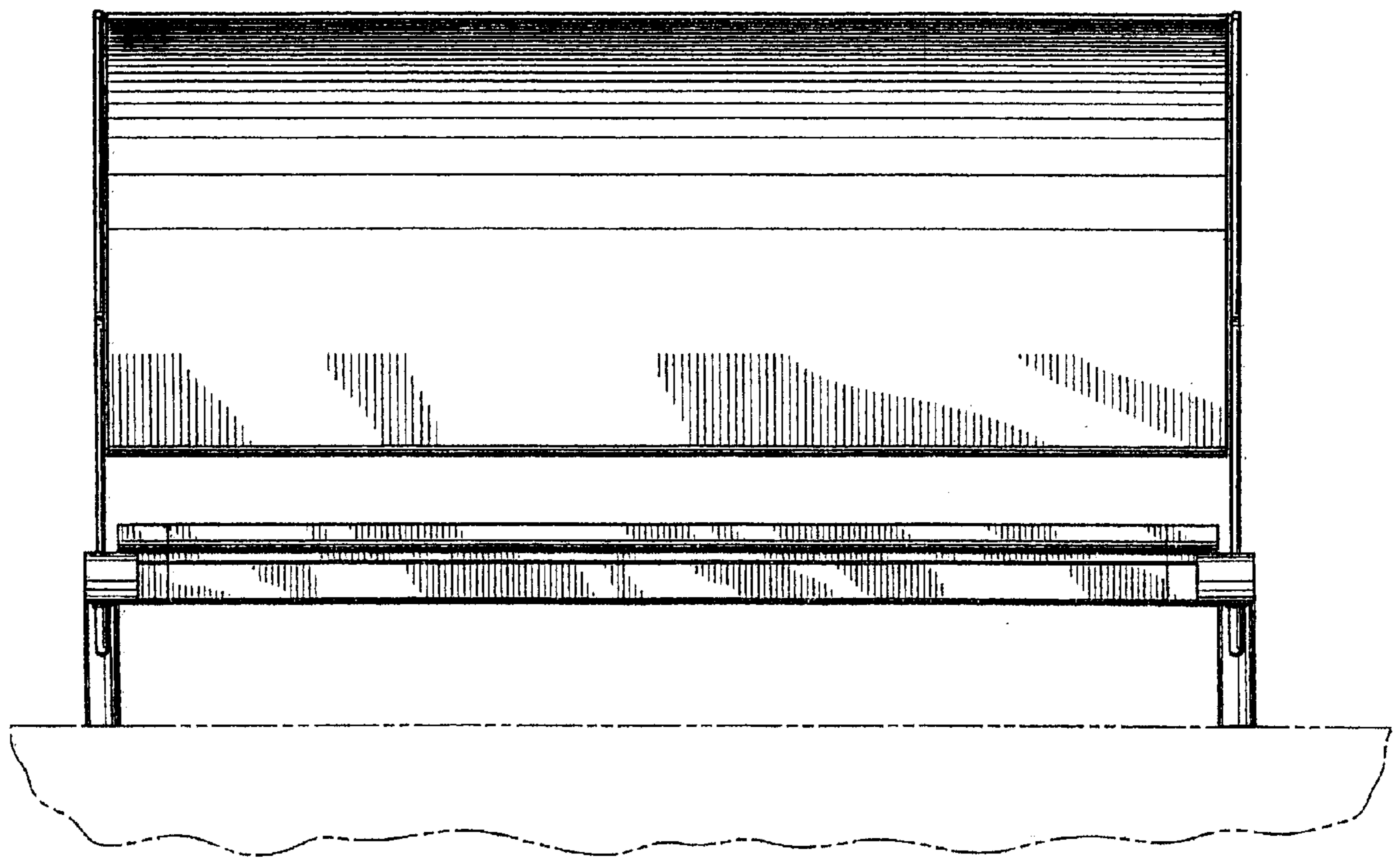


Fig. 2

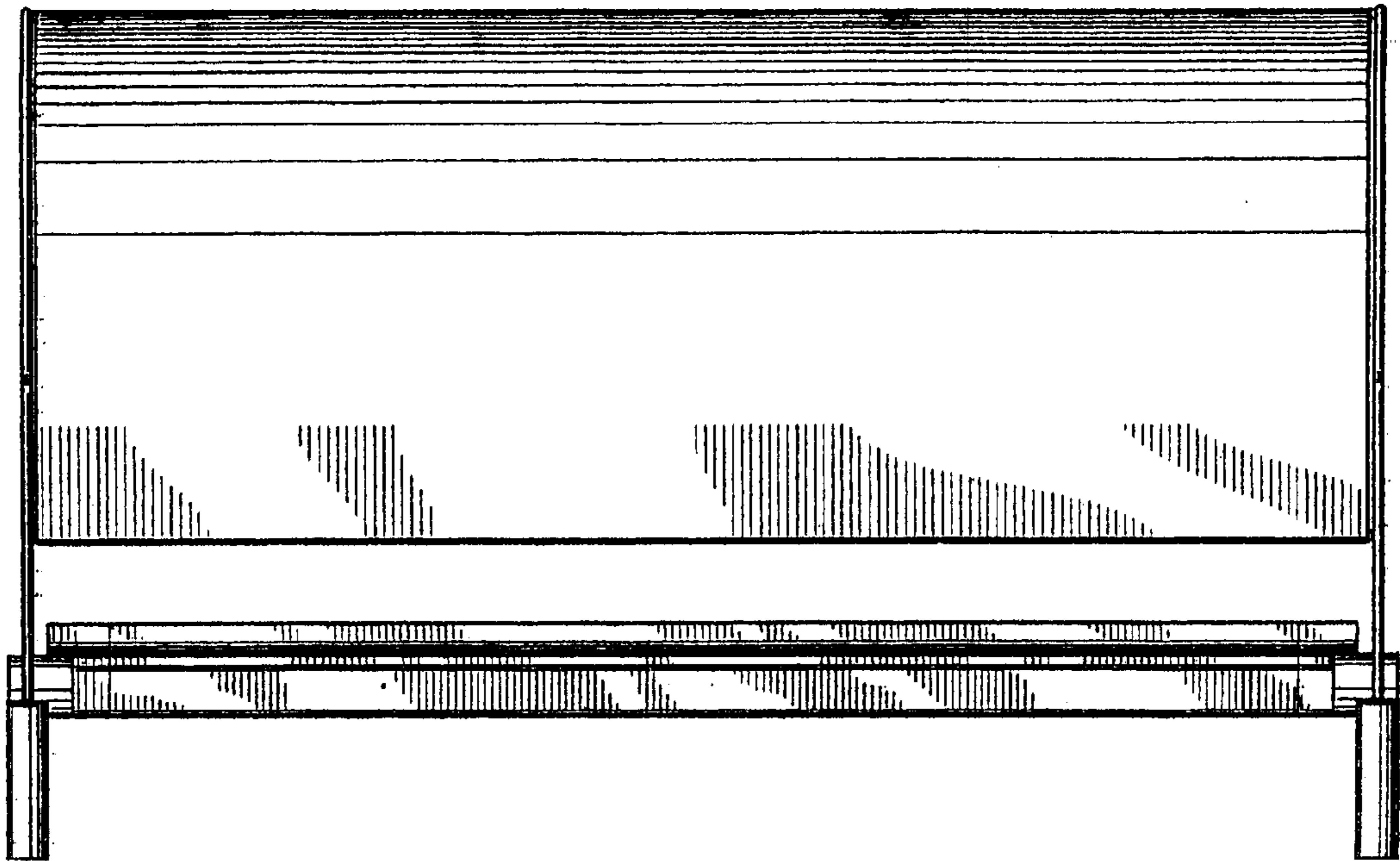


Fig. 3

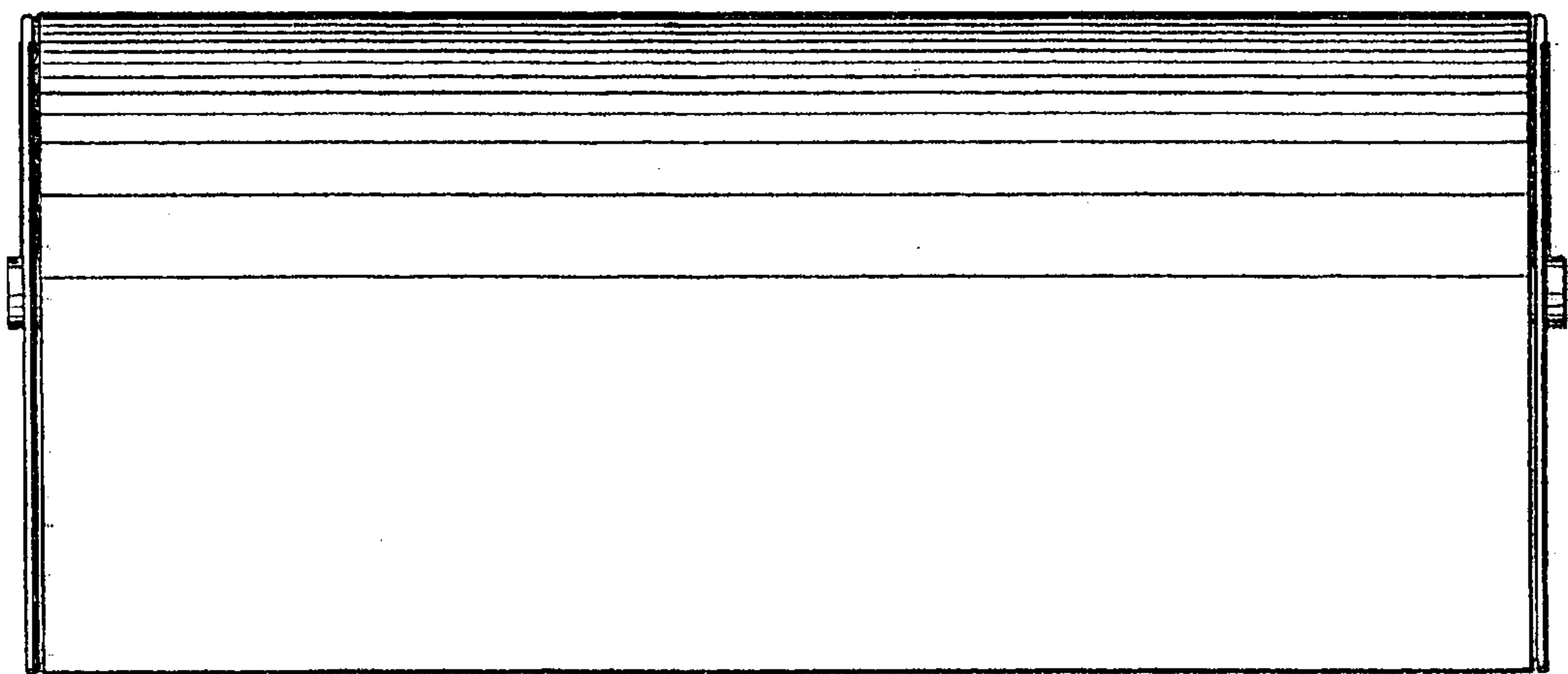


Fig. 4

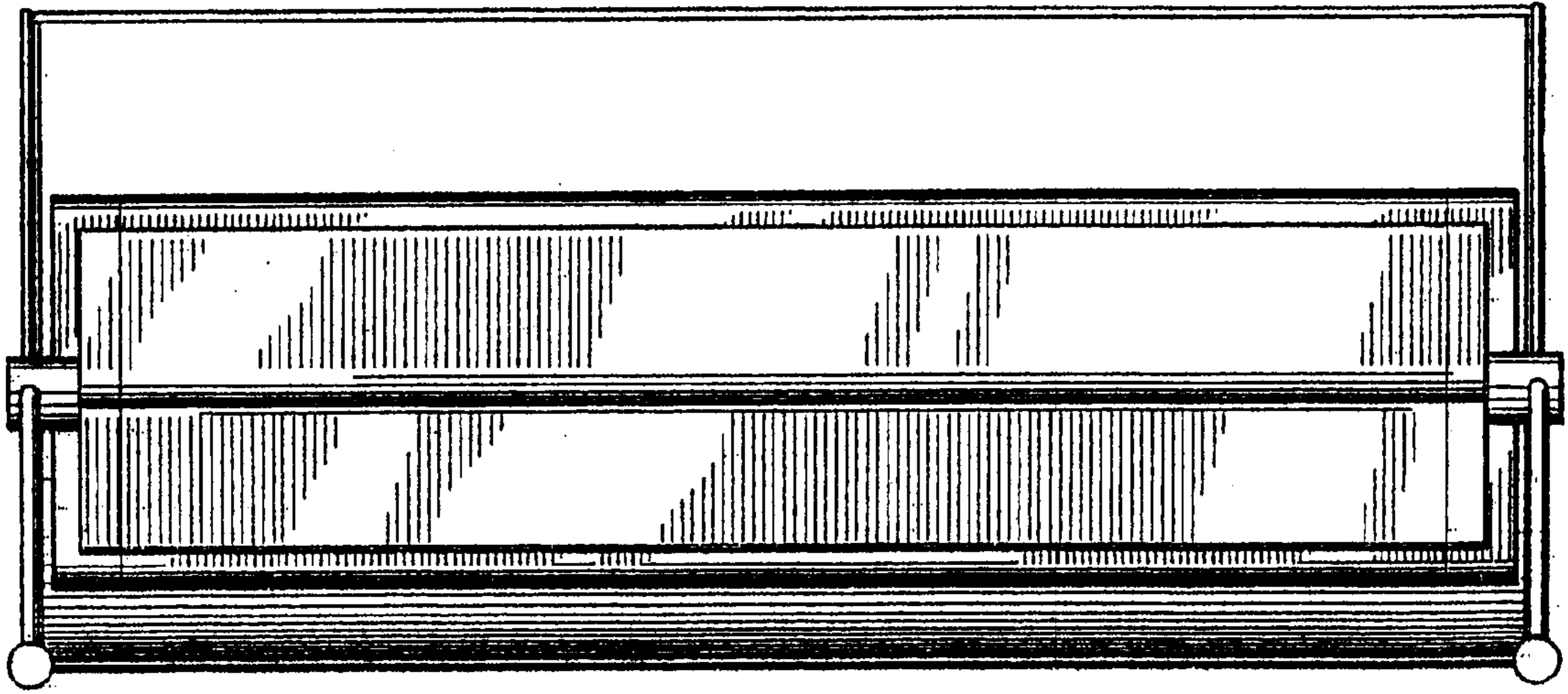


Fig. 5

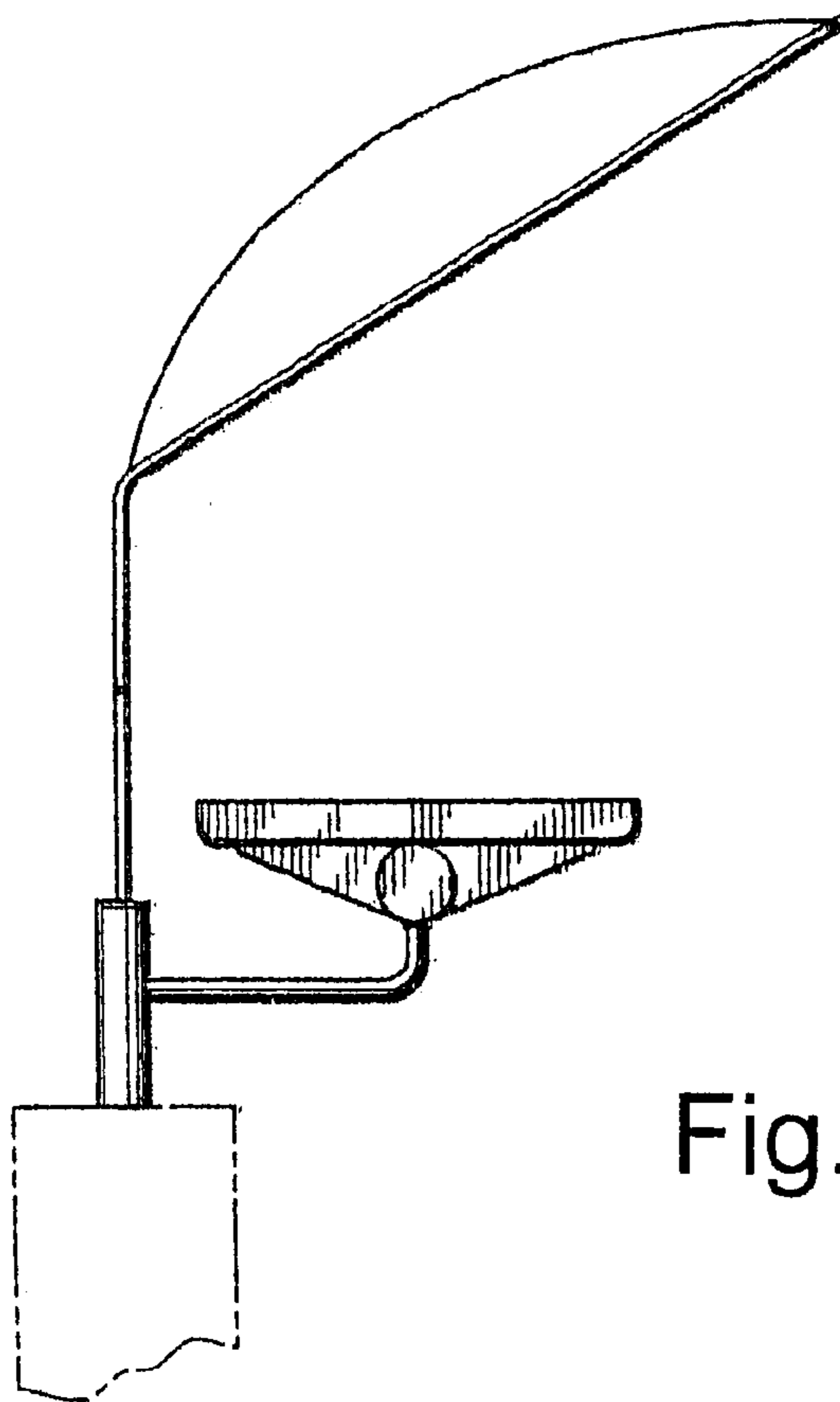


Fig. 6