



US00D464158S

(12) **United States Design Patent**
Hon Siu Cheong

(10) **Patent No.:** **US D464,158 S**

(45) **Date of Patent:** **** Oct. 8, 2002**

- (54) **SOLAR-POWERED OUTDOOR LIGHT**
- (75) Inventor: **Ellis Hon Siu Cheong**, Shunshine (HK)
- (73) Assignee: **The Brinkmann Corporation**, Dallas, TX (US)
- (**) Term: **14 Years**

D394,325	5/1998	Hsu	D26/87
D394,519	5/1998	Hsu	D26/87
D409,780	5/1999	Maxwell	D26/67
D420,162	2/2000	Meck et al.	D26/87
D420,459	2/2000	Meck et al.	D26/87
D420,760	2/2000	Meck et al.	D26/87
D428,507	7/2000	De'Armond	D26/72
D428,662	7/2000	Jaspers-Fayer et al.	D26/67
D429,016	8/2000	Cohen	D26/67

(21) Appl. No.: **29/137,805**

(22) Filed: **Feb. 27, 2001**

(51) **LOC (7) Cl.** **26-05**

(52) **U.S. Cl.** **D26/67**

(58) **Field of Search** D26/67-71, 92-112;
362/183, 153, 153.1, 431, 363, 269, 276,
410-414

(56) **References Cited**

U.S. PATENT DOCUMENTS

D37,742	12/1905	Davis	
D66,189	12/1924	Jaeger	
D67,423	5/1925	Walker	
D67,929	8/1925	Lipschutz	
D72,714	5/1927	Lipschutz	
D76,062	8/1928	Shortt	
D81,003	4/1930	Haas	
D105,246	7/1937	Ostrow	
2,967,230	1/1961	Goetz et al. 240/3
3,239,958	3/1966	Daum 40/145
D206,082	10/1966	Rosen D48/4
D220,641	5/1971	Lewis D48/4
D251,629	4/1979	Nelson D48/4 B
D302,477	7/1989	Bohler D26/81
D309,796	8/1990	Koziol D26/87
D313,868	1/1991	Shyu D26/87
D314,834	2/1991	Rottner D26/87
D316,759	5/1991	Choi D26/87
D383,865	9/1997	Heiberg et al. D26/67
D387,458	12/1997	Ruggles et al. D26/67
D388,220	12/1997	Hsu D26/87

OTHER PUBLICATIONS

Home Lighting & Accessories, Aug. 1995, p. 19, Exterior Wall Lamp, Exterior Lamp Box.
Kichler Lighting Catalog, 1989, p. 93, Post Lantern #K-9955, Exterior Lamp Box.

Primary Examiner—Alan P. Douglas
Assistant Examiner—Linda Brooks

(74) *Attorney, Agent, or Firm*—Sheppard, Mullin, Richter & Hampton LLP

(57) **CLAIM**

The ornamental design for a solar-powered outdoor light, as shown and described.

DESCRIPTION

FIG. 1 is a front elevational view of a solar-powered outdoor light embodying the new design, which is the same as the right side elevational view, the left side elevational view and the rear elevational view.

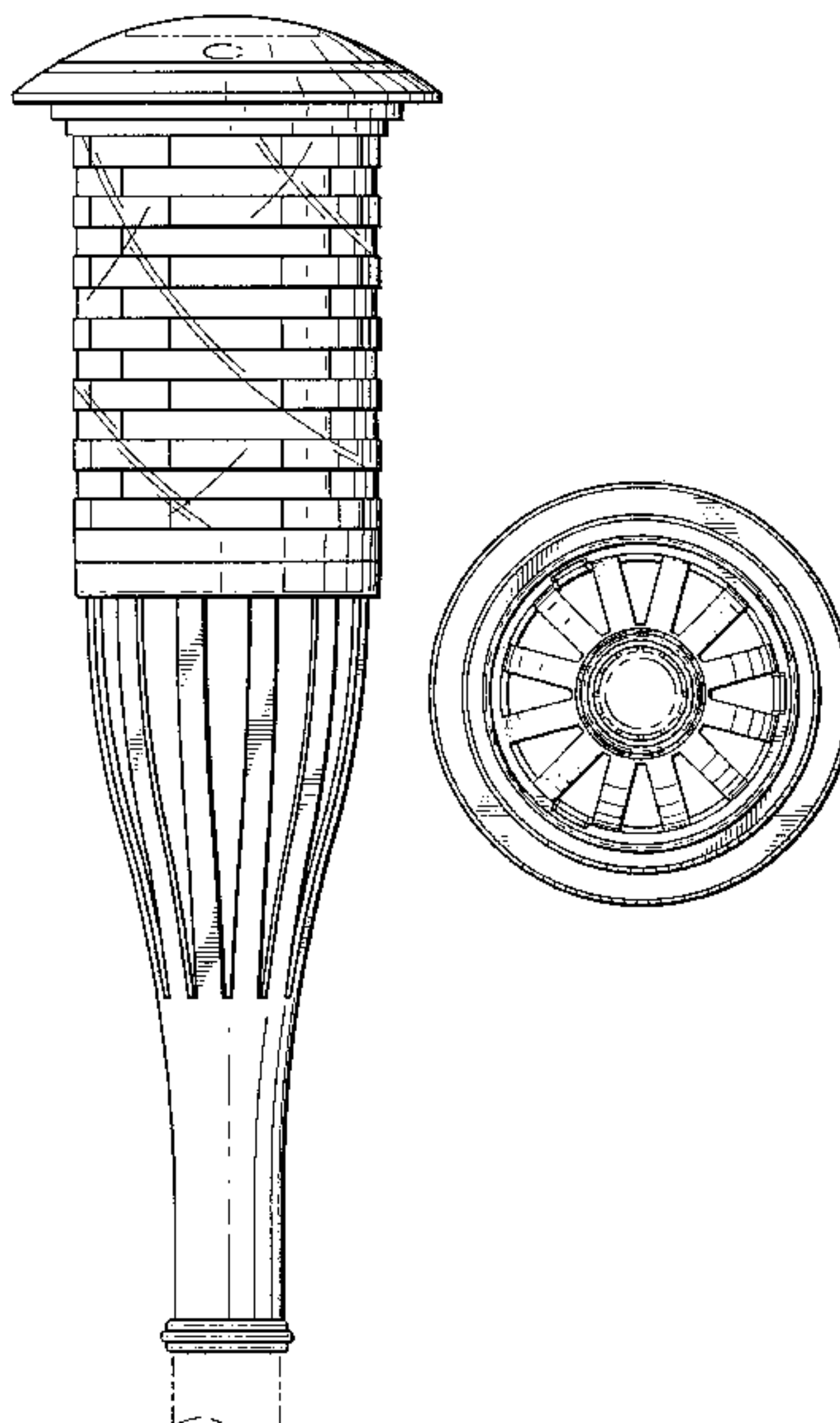
FIG. 2 is an enlarged view of the claimed design illustrated in FIG. 1.

FIG. 3 is an enlarged top plan view of the design depicted in FIG. 1; and,

FIG. 4 is an enlarged bottom plan view of the design depicted in FIG. 1.

The broken lines shown in the drawings are for illustrative purposes only and form no part of the claimed design.

1 Claim, 2 Drawing Sheets



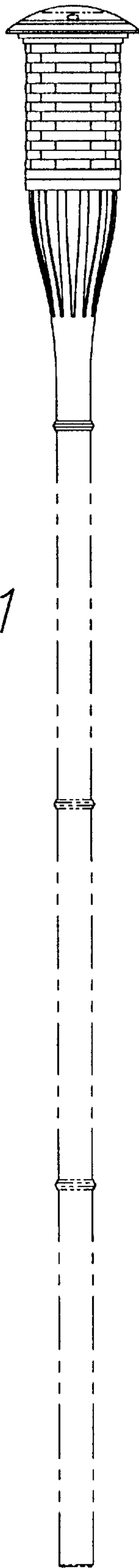


FIG. 1

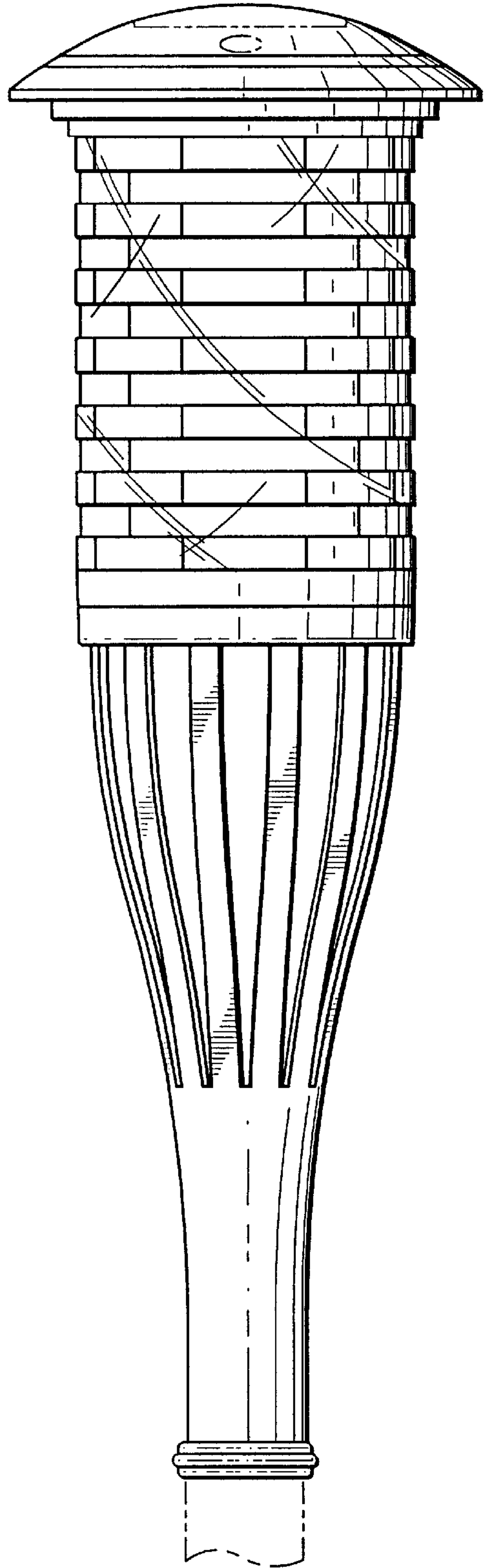


FIG. 2

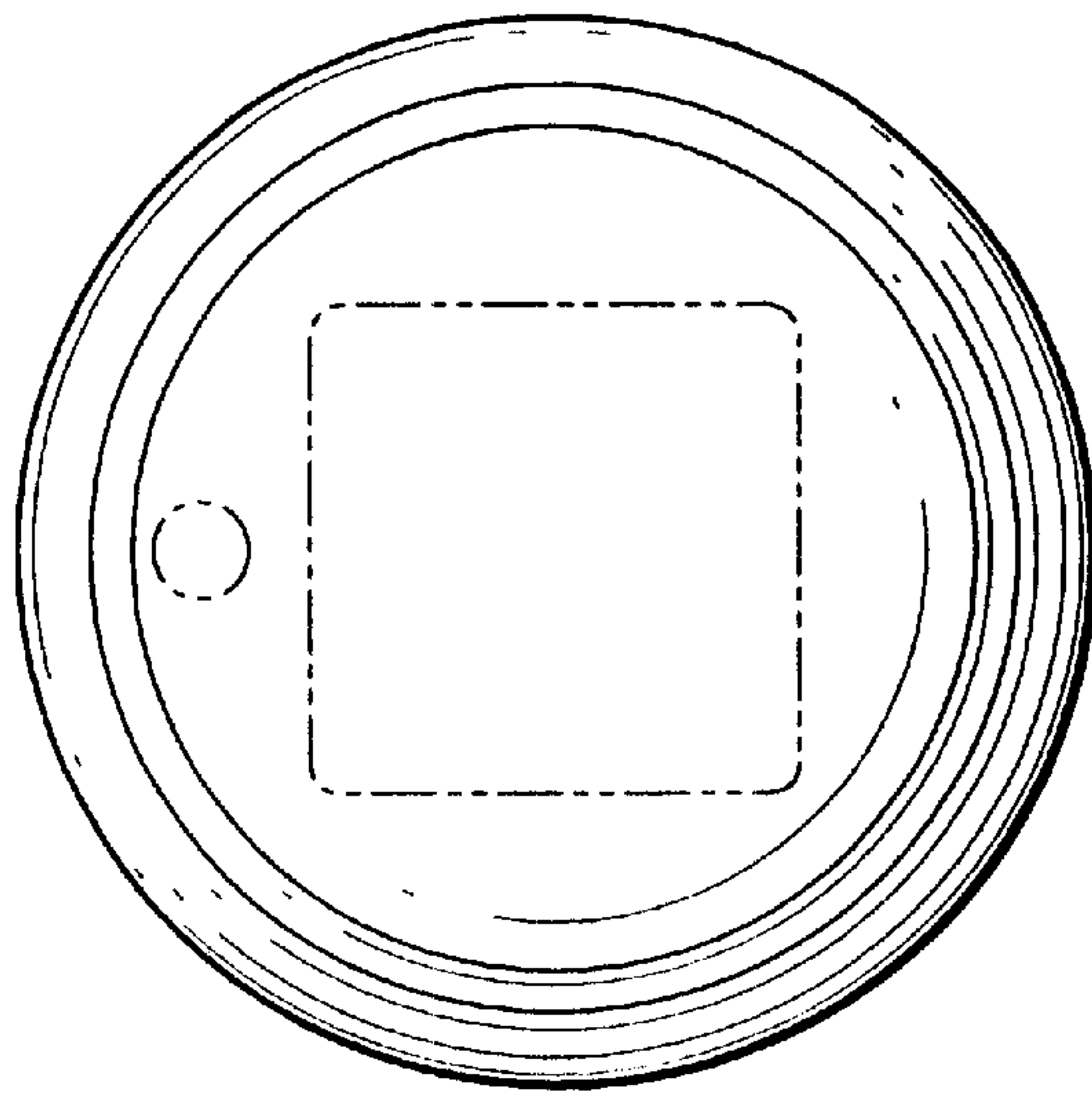


FIG. 3

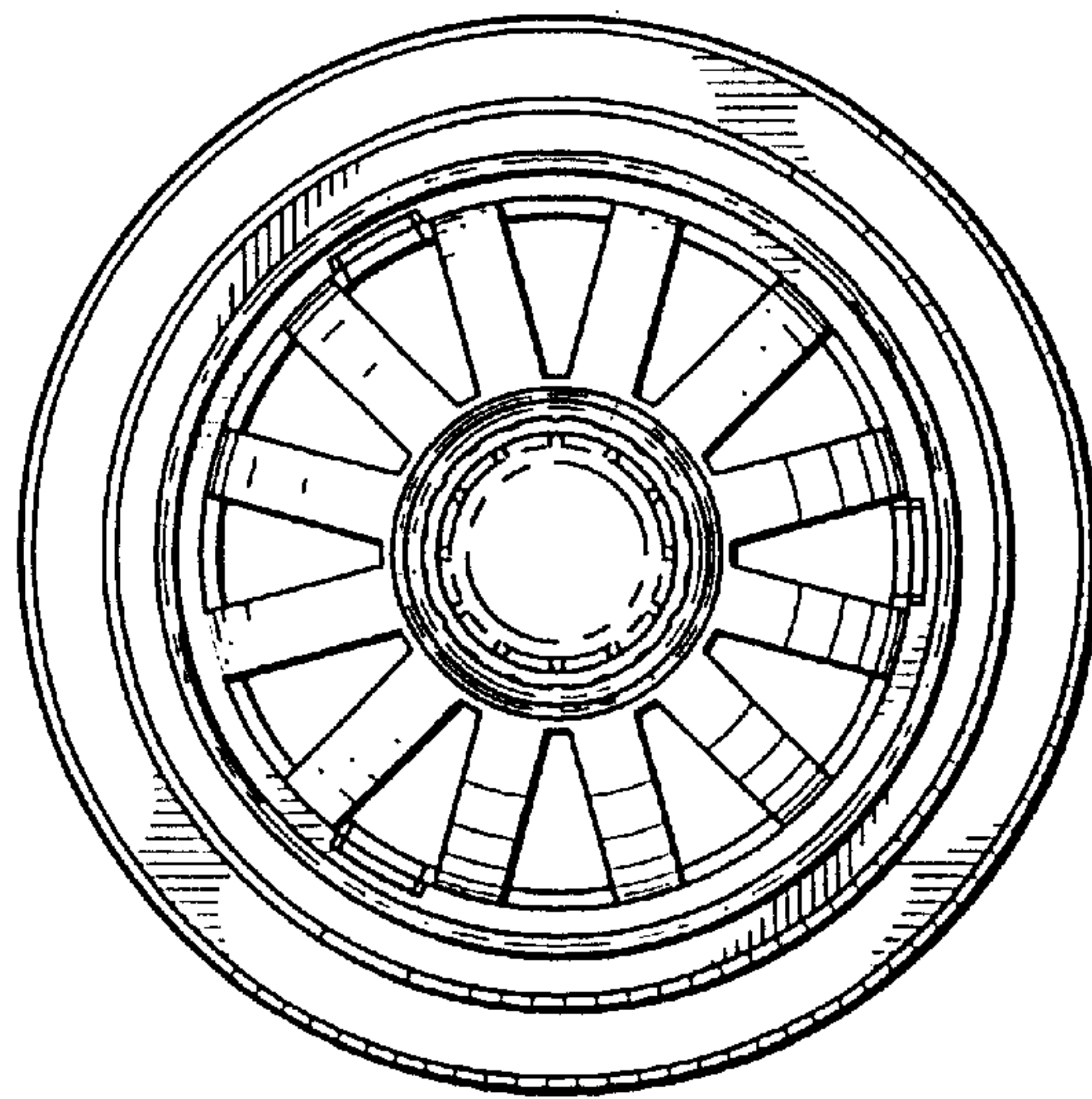


FIG. 4