



US00D464157S

(12) **United States Design Patent**
Kumar

(10) **Patent No.:** **US D464,157 S**

(45) **Date of Patent:** **** Oct. 8, 2002**

(54) **WITCH HAT TEALIGHT HOLDER**

(75) Inventor: **Piush Kumar**, Munster, IN (US)

(73) Assignee: **Hosley International Trading Corporation**, Lynwood, IL (US)

(**) Term: **14 Years**

(21) Appl. No.: **29/136,768**

(22) Filed: **Feb. 7, 2001**

(51) **LOC (7) Cl.** **26-01**

(52) **U.S. Cl.** **D26/11**

(58) **Field of Search** D26/9-11, 13,
D26/16, 20, 22, 23; 431/288-293, 310-311,
320; 362/161-163; D11/143, 146, 147,
149, 152, 153; D10/109, 113

(56) **References Cited**

U.S. PATENT DOCUMENTS

D132,691 S * 6/1942 Sawyer D11/133
D280,938 S * 10/1985 Sher D26/9
D359,369 S * 6/1995 Caplette et al. D26/11

* cited by examiner

Primary Examiner—Marcus A. Jackson

(74) *Attorney, Agent, or Firm*—Olson & Hierl, Ltd.

(57) **CLAIM**

The ornamental design for a witch hat tealight holder, as shown and described.

DESCRIPTION

FIG. 1 is a perspective view of a witch hat tealight holder of the present invention;

FIG. 2 is a side elevational view of the witch hat tealight holder;

FIG. 3 is an opposite side elevational view of the witch hat tealight holder;

FIG. 4 is a top plan view of the witch hat tealight holder;

FIG. 5 is a bottom plan view of the witch hat tealight holder;

FIG. 6 is a front elevational view of the witch hat tealight holder;

FIG. 7 is a rear elevational view of the witch hat tealight holder;

FIG. 8 is a perspective view of the witch hat tealight holder shown in FIG. 1 with the door thereon in its open position;

FIG. 9 is a side elevational view of the witch hat tealight holder of FIG. 8;

FIG. 10 is an opposite side elevational view of the witch hat tealight holder of FIG. 8;

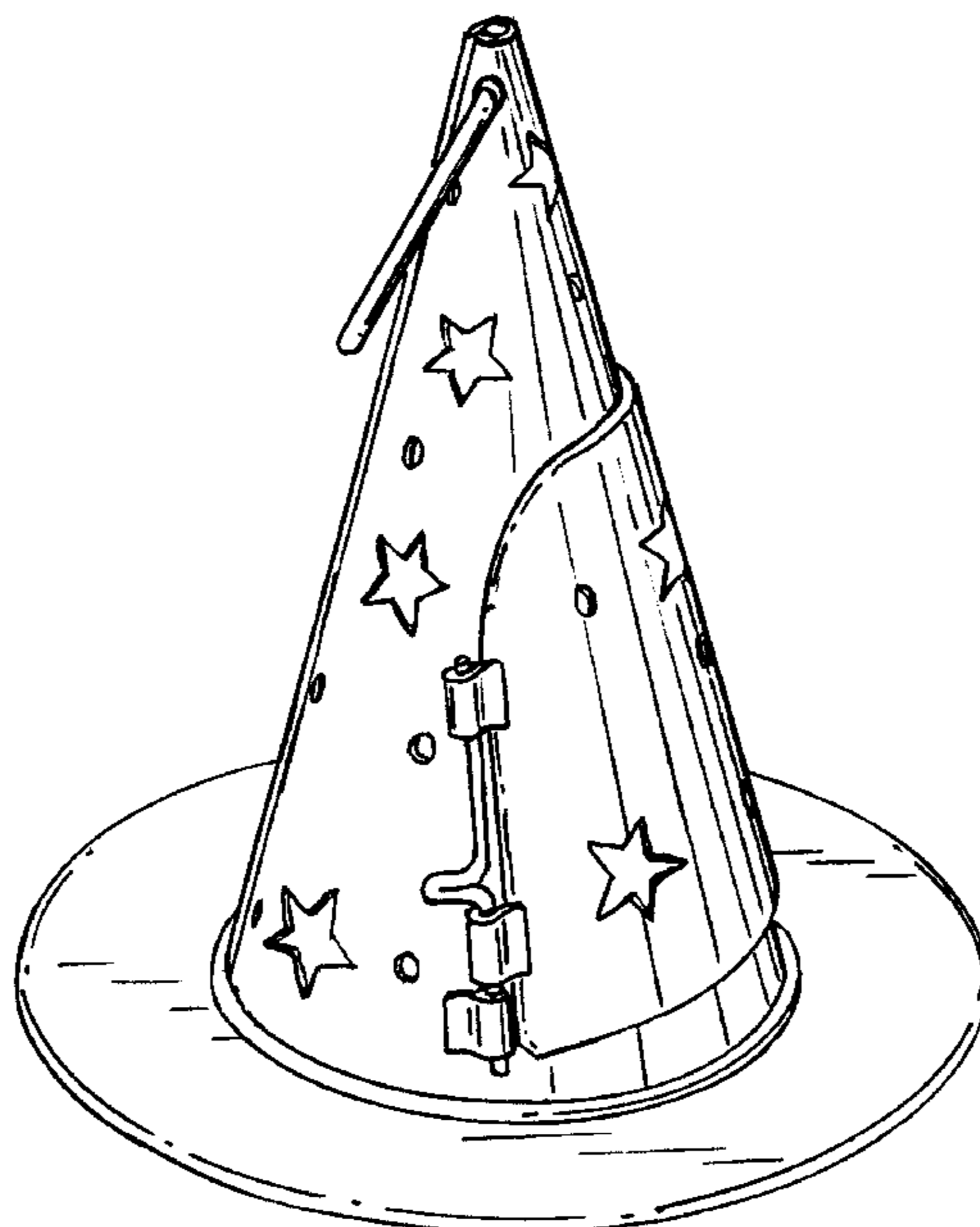
FIG. 11 is a top plan view of the witch hat tealight holder;

FIG. 12 is a bottom plan view of the witch hat tealight holder;

FIG. 13 is a front elevational view of the witch hat tealight holder; and,

FIG. 14 is a rear elevational view of the witch hat tealight holder.

1 Claim, 6 Drawing Sheets



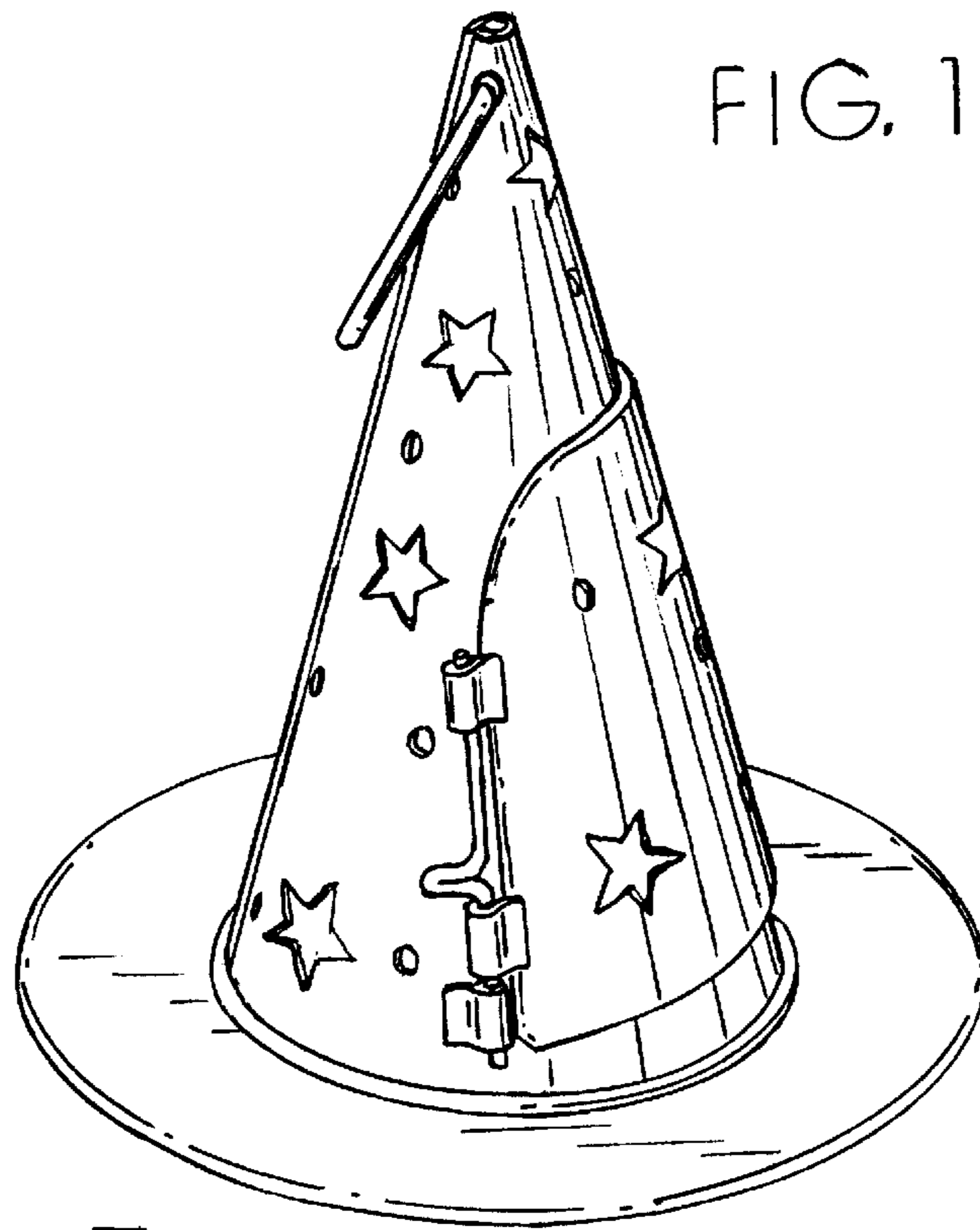


FIG. 1

FIG. 2

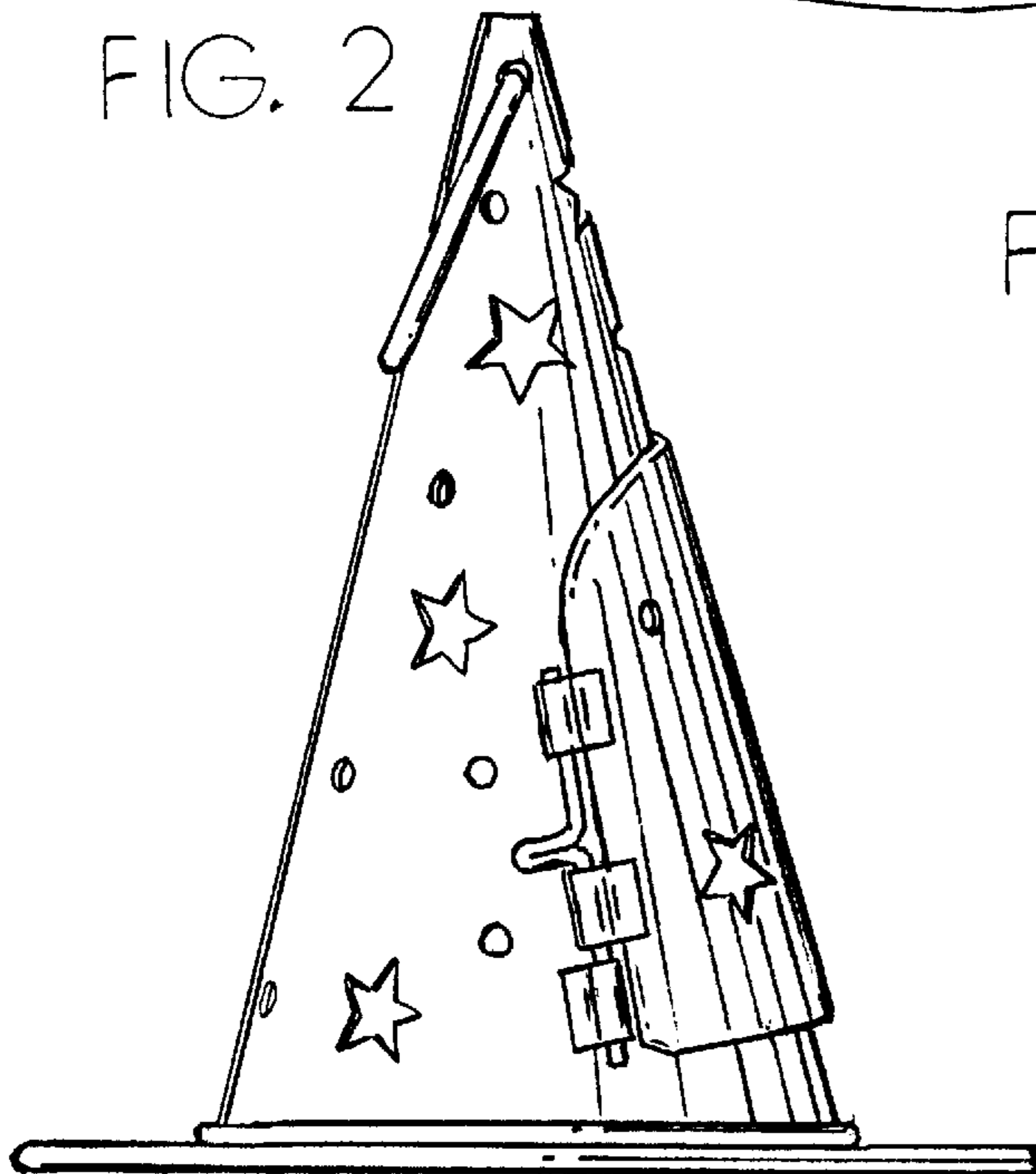


FIG. 3

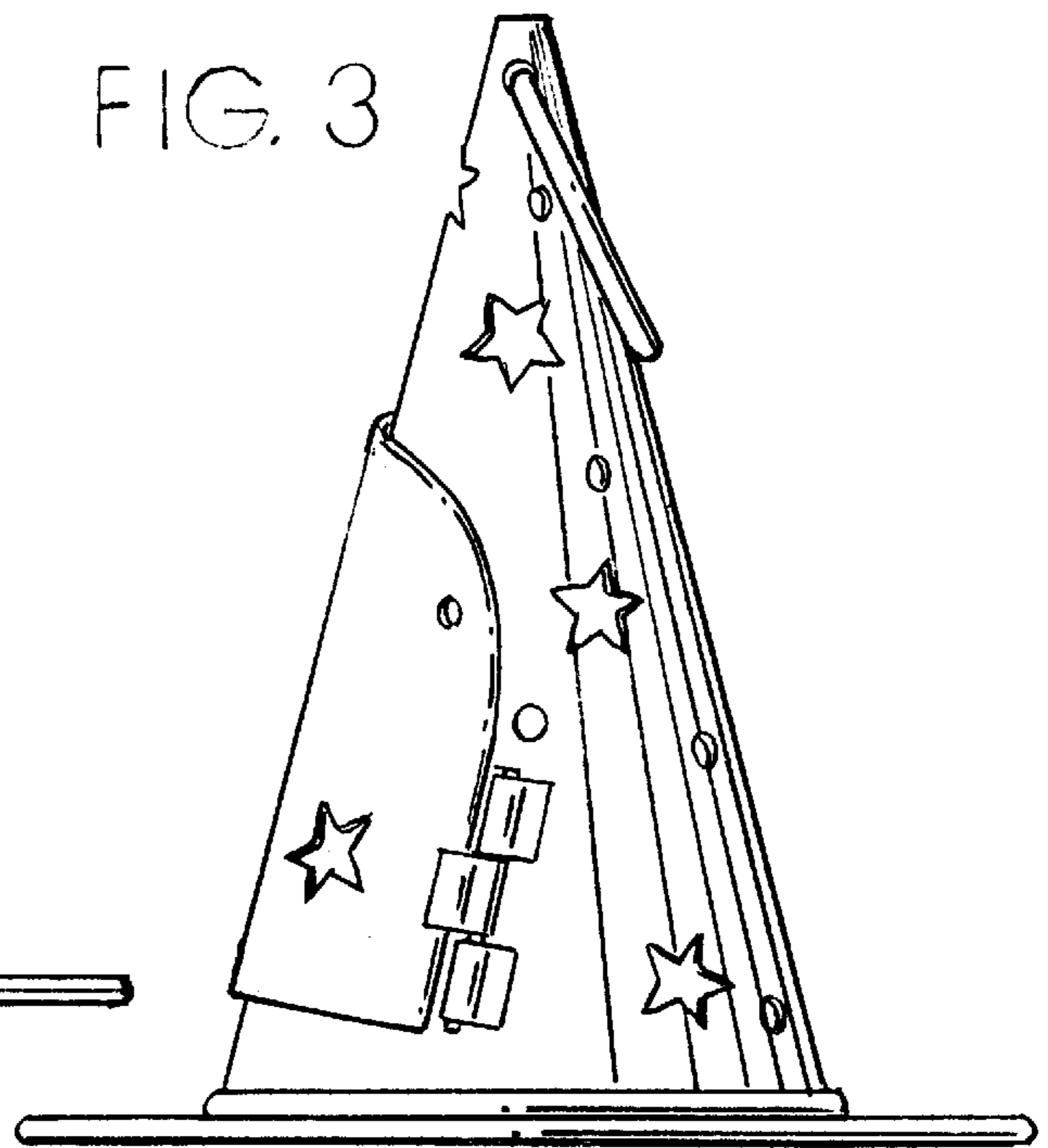


FIG. 4

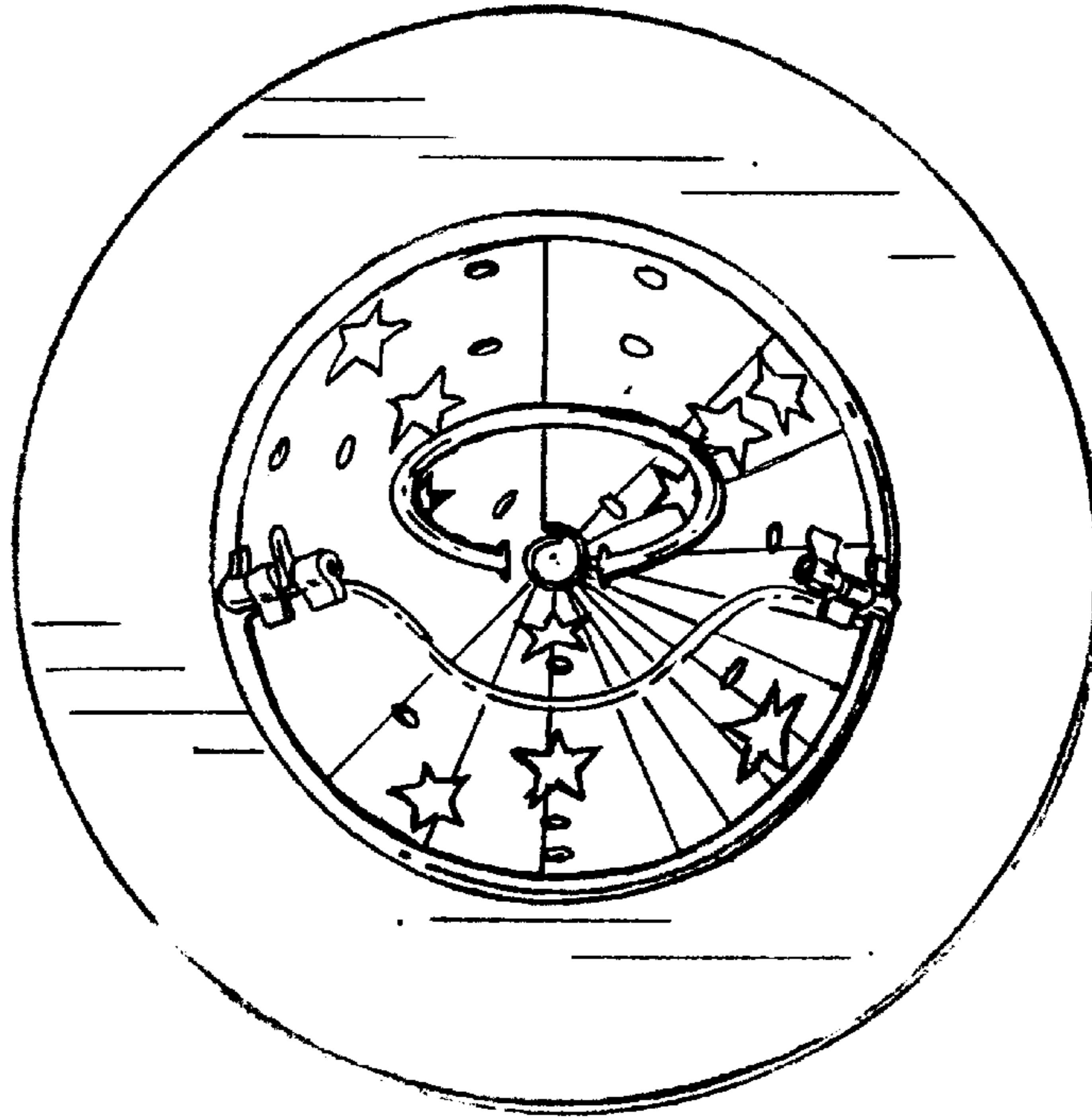


FIG. 5

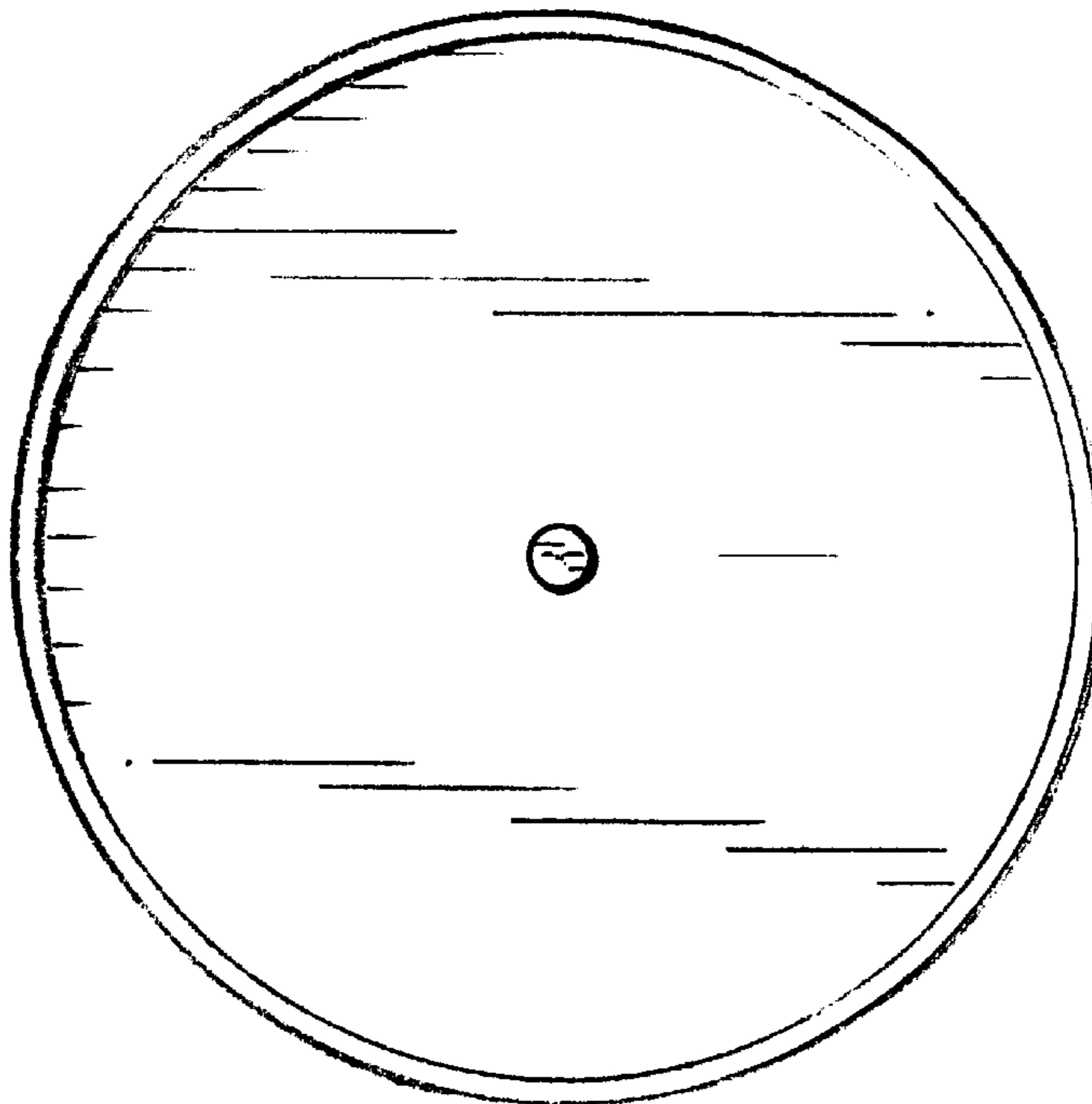


FIG. 6

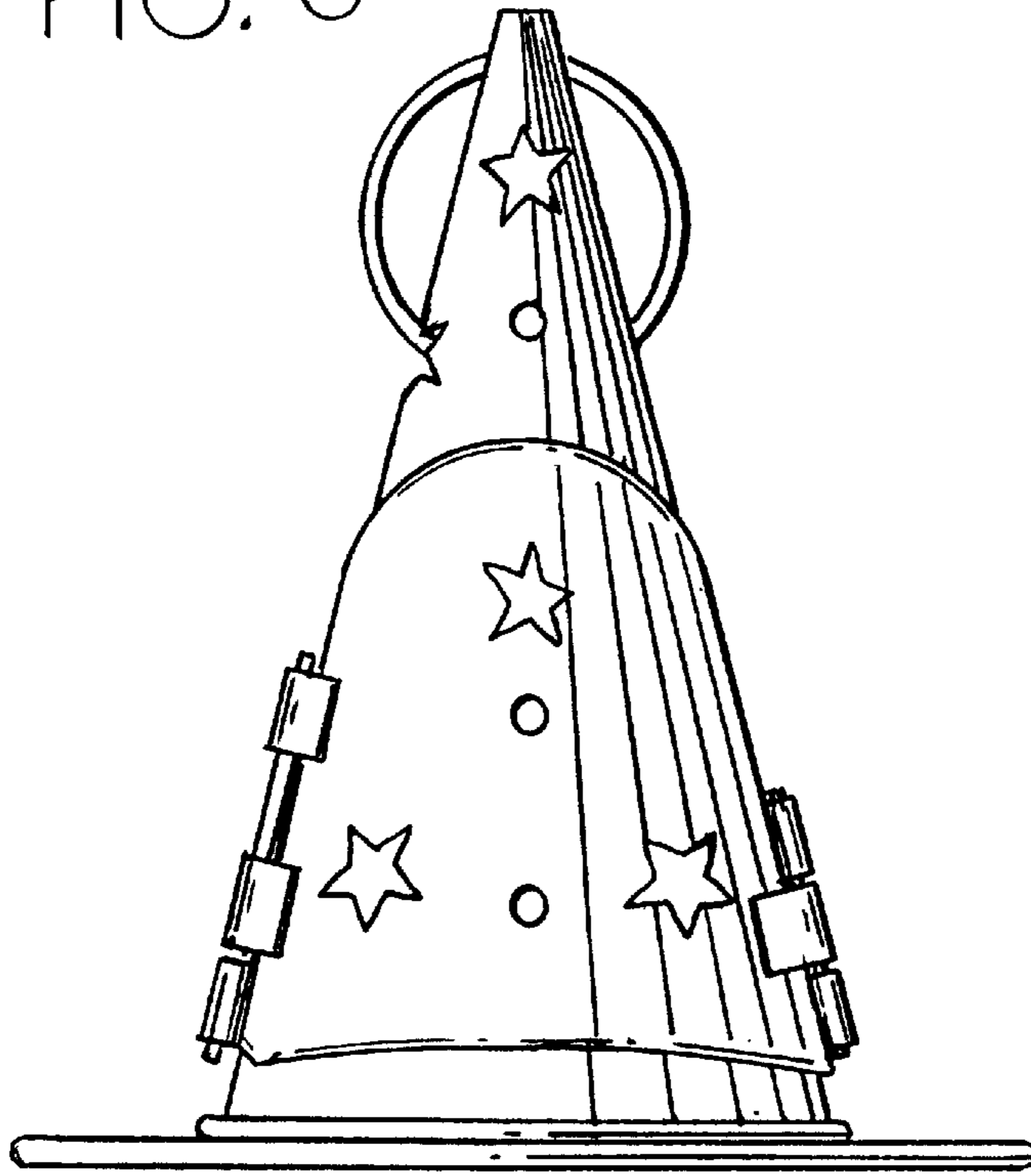
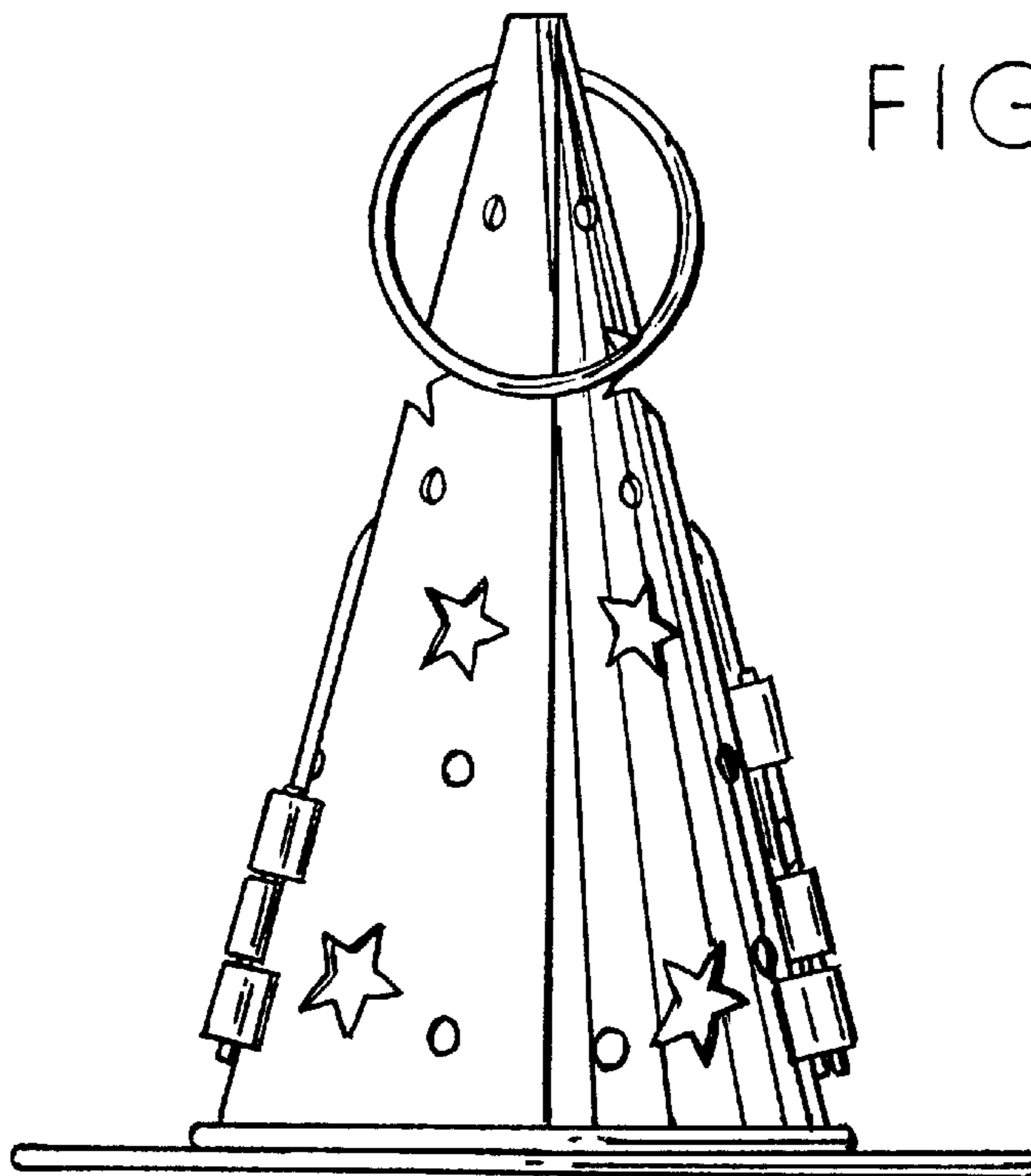


FIG. 7



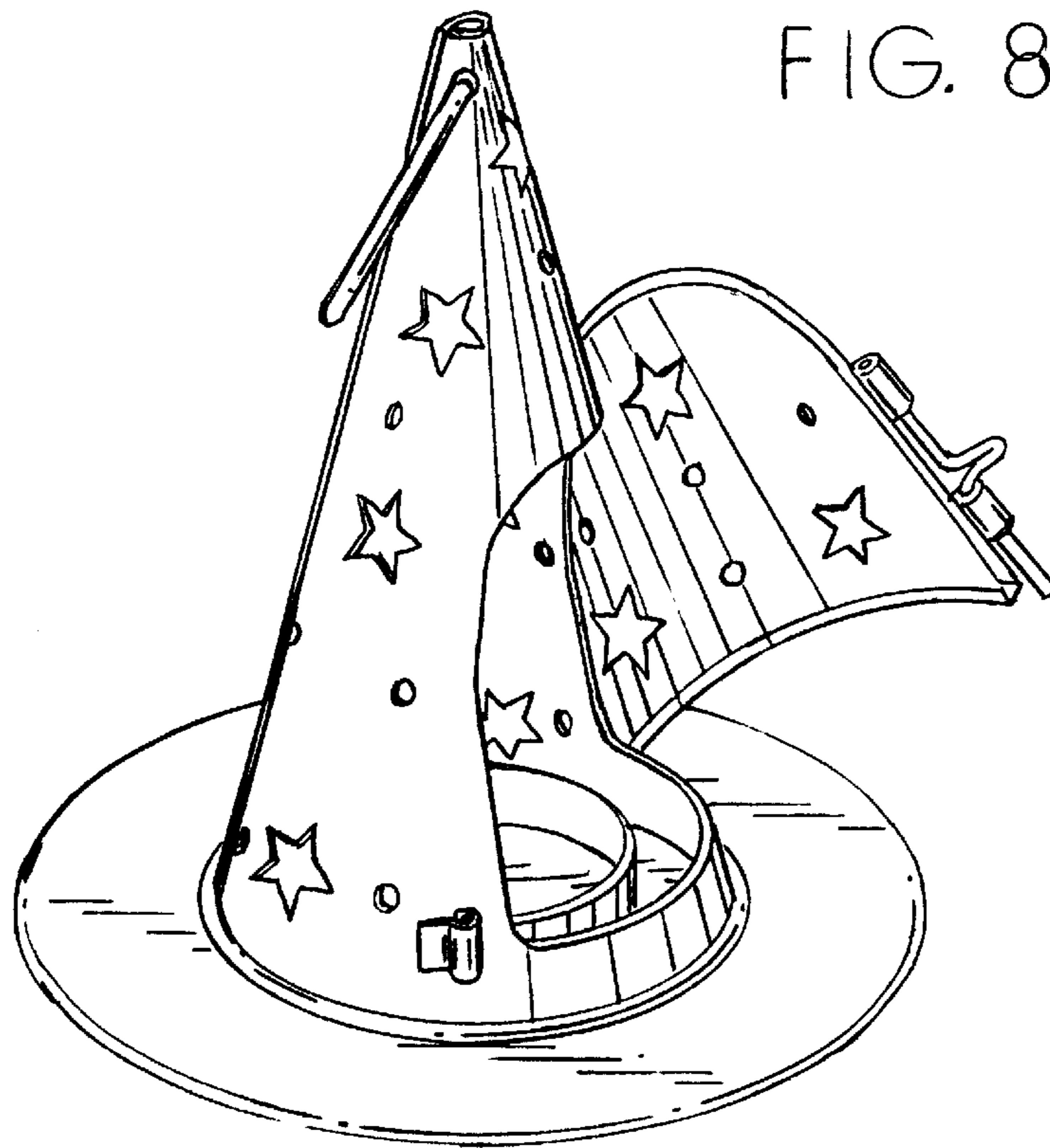


FIG. 8

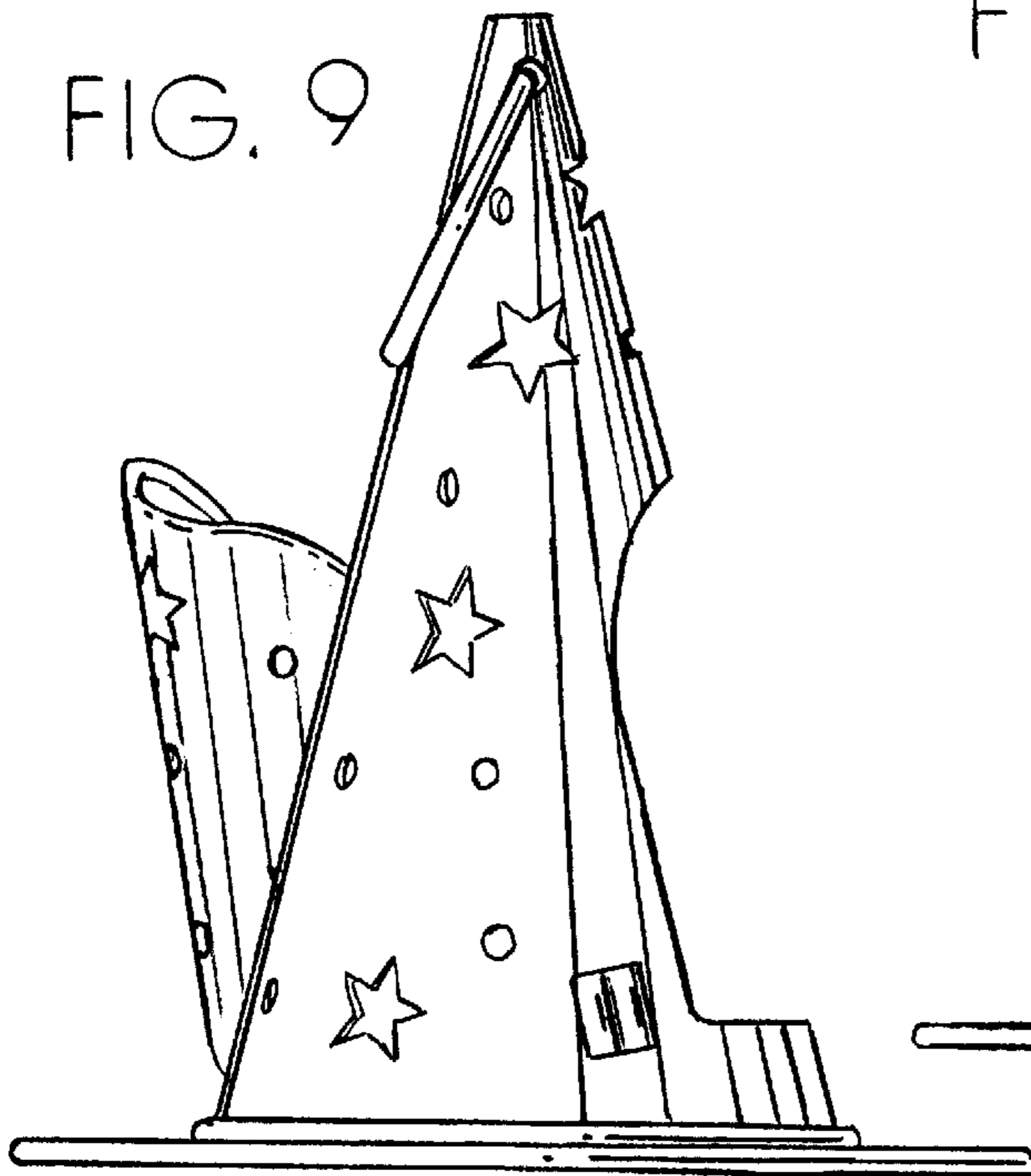


FIG. 9

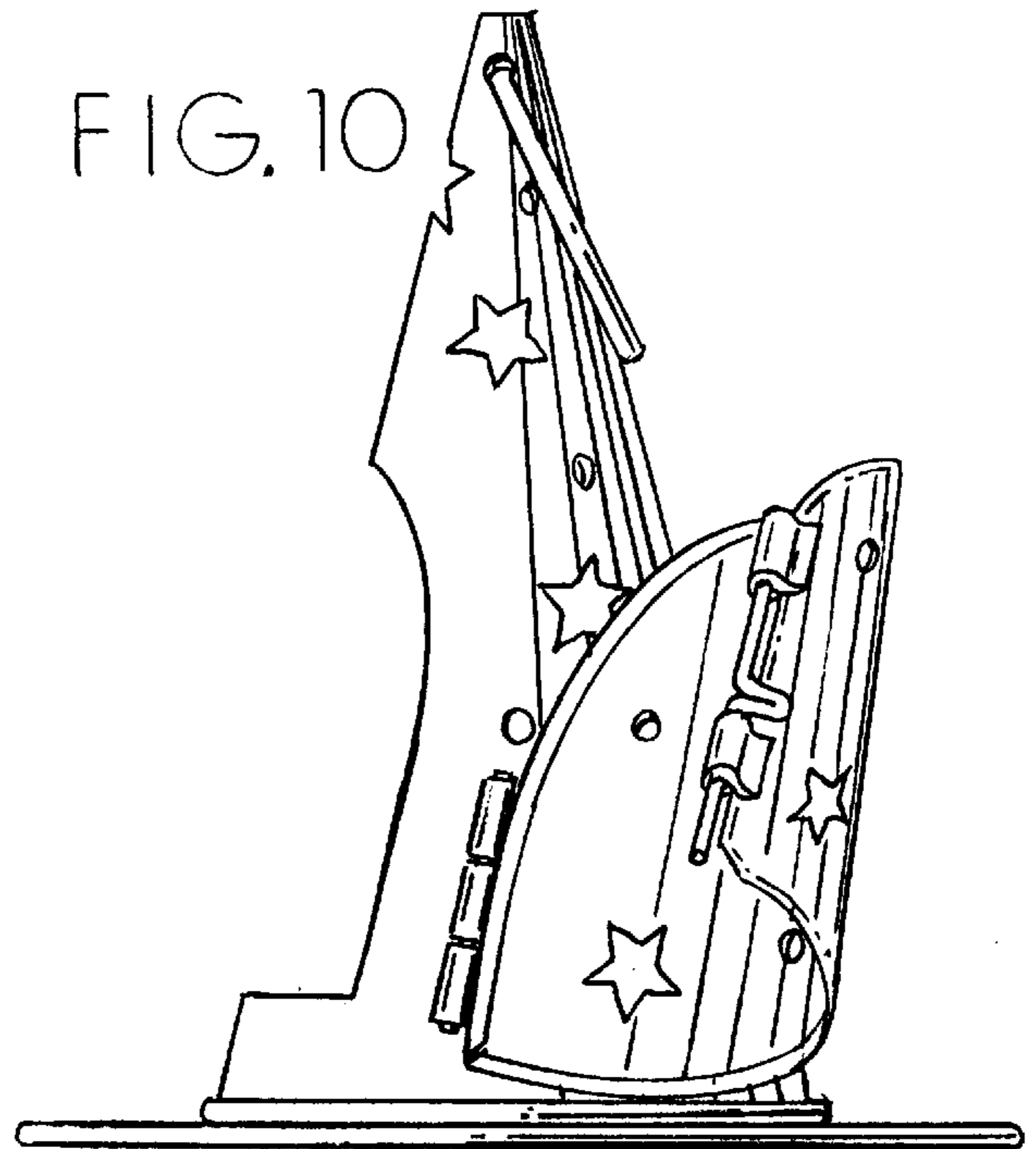


FIG. 10

FIG. 11

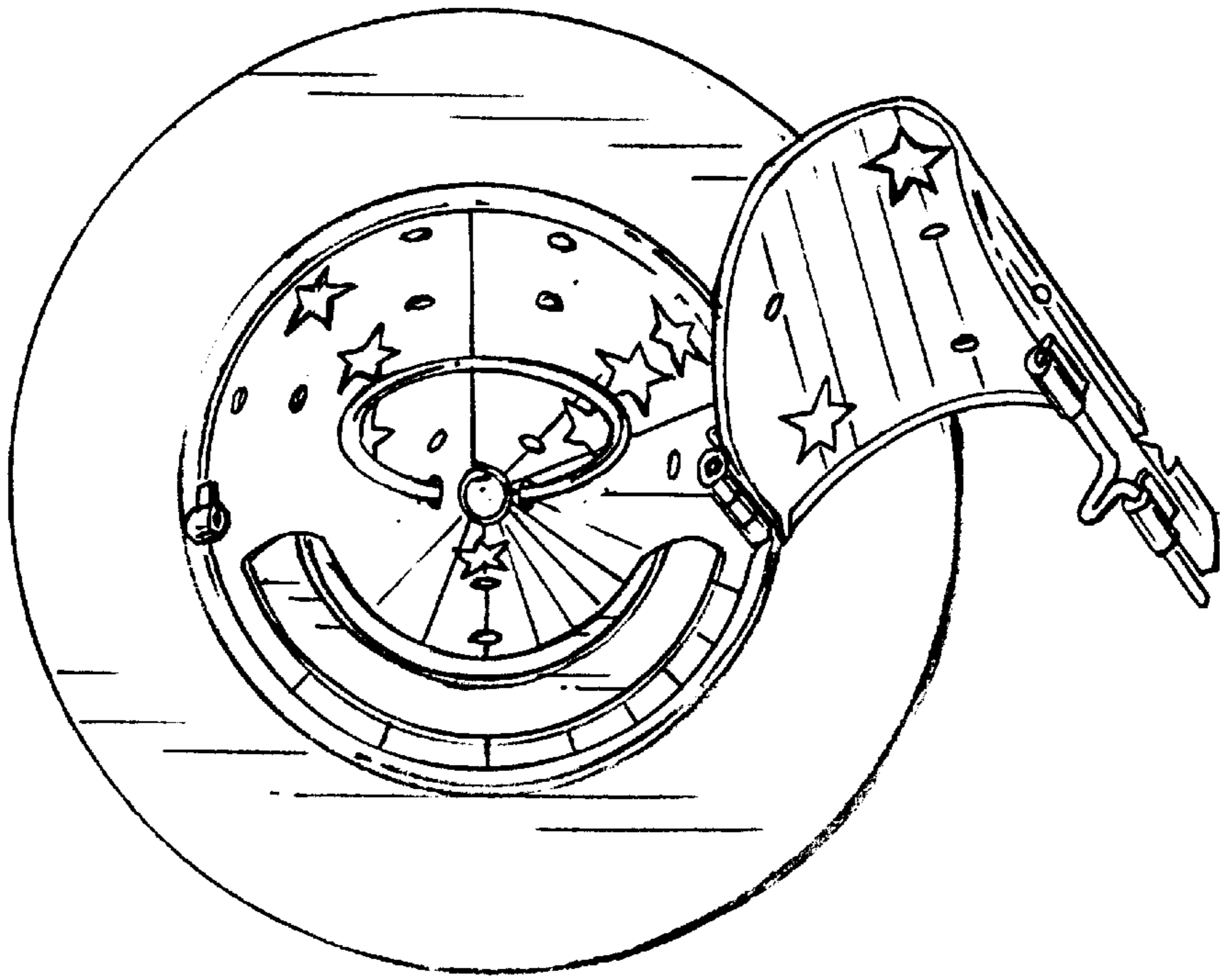


FIG. 12

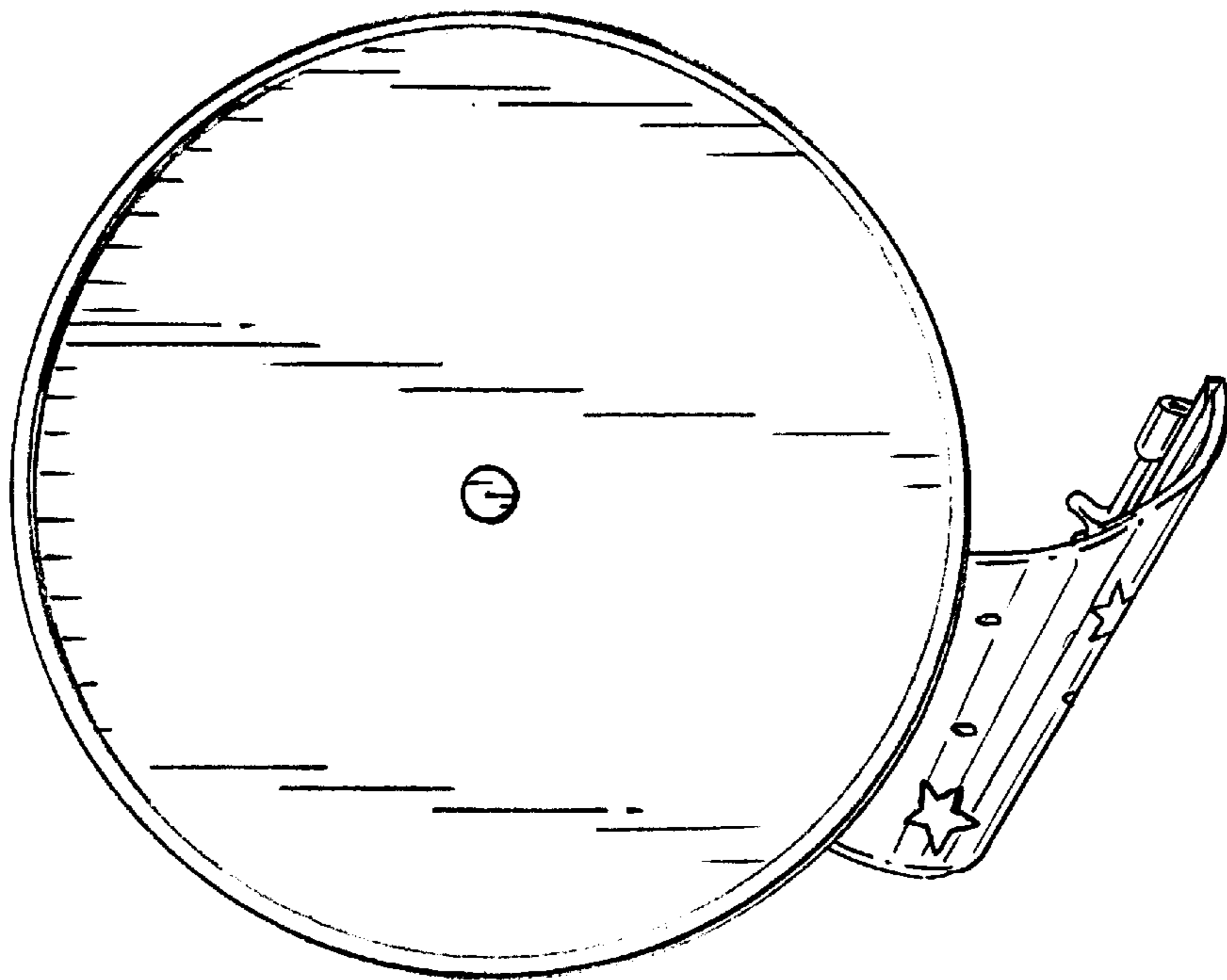


FIG. 13

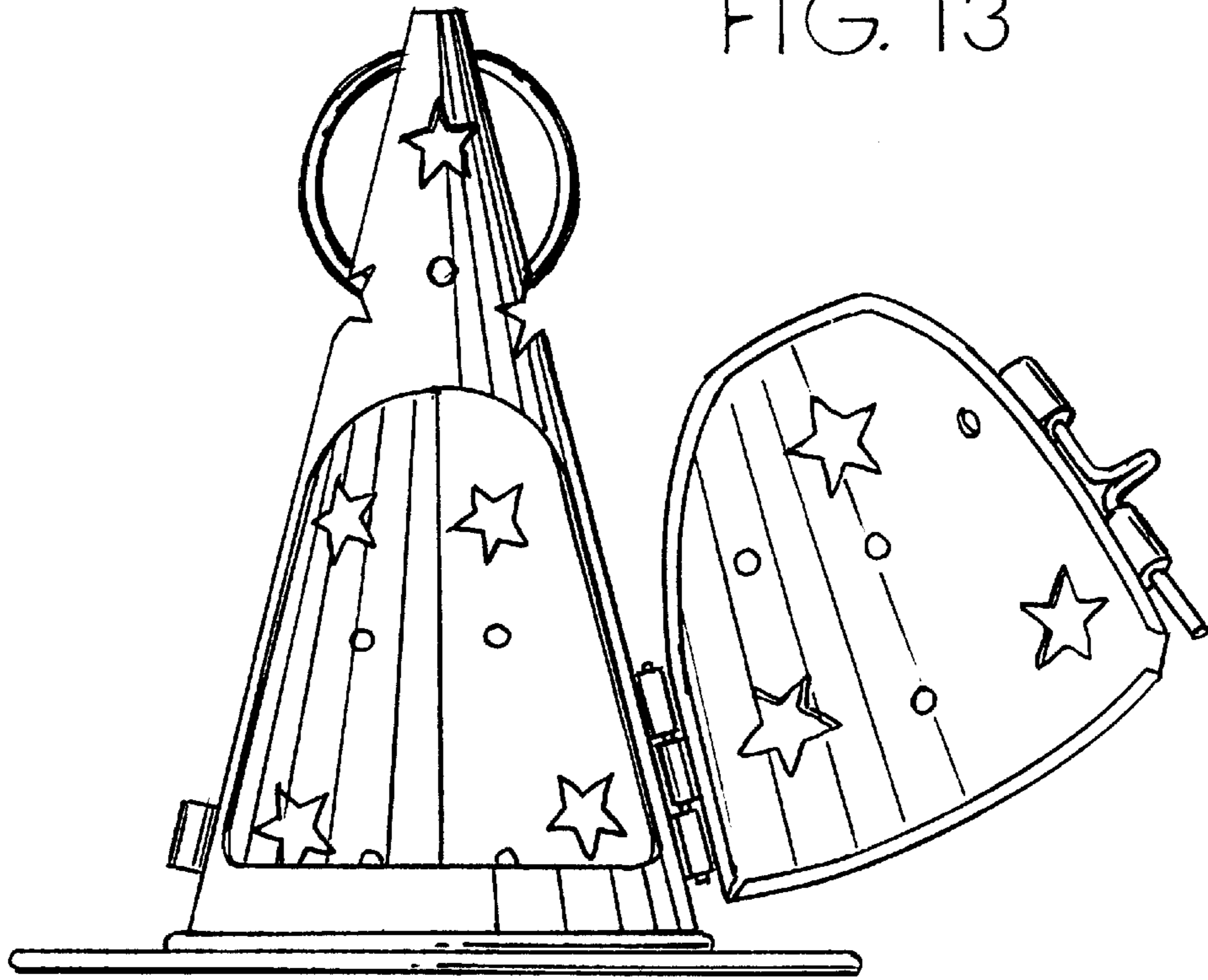


FIG. 14

