



US00D464154S

(12) **United States Design Patent** (10) **Patent No.:** **US D464,154 S**  
**Xu** (45) **Date of Patent:** **\*\* Oct. 8, 2002**

(54) **MINIATURE FLUORESCENT LIGHT BULB**

*Primary Examiner*—Marcus A. Jackson  
(74) *Attorney, Agent, or Firm*—Fulwider Patton Lee & Utecht, LLP

(75) **Inventor:** **Yinge Xu**, Futian (CH)

(73) **Assignee:** **CEAC USA Corp.**, Oak Park, CA (US)

(\*\*) **Term:** **14 Years**

(57) **CLAIM**

The new ornamental design of a miniature fluorescent light bulb, as shown and described.

(21) **Appl. No.:** **29/145,843**

(22) **Filed:** **Jul. 30, 2001**

**DESCRIPTION**

(51) **LOC (7) Cl.** ..... **26-06**

FIG. 1 is a side elevational view of a miniature fluorescent light bulb, showing my new design.

(52) **U.S. Cl.** ..... **D26/3**

FIG. 2 is a top plan view of the light bulb shown in FIG. 1;

(58) **Field of Search** ..... D26/1, 2, 3, 26;  
313/313, 317, 318, 493, 56, 57, 58, 63

FIG. 3 is a bottom plan view of the light bulb;

(56) **References Cited**

FIGS. 4–7 are side elevational views showing the light bulb from various angles; and,

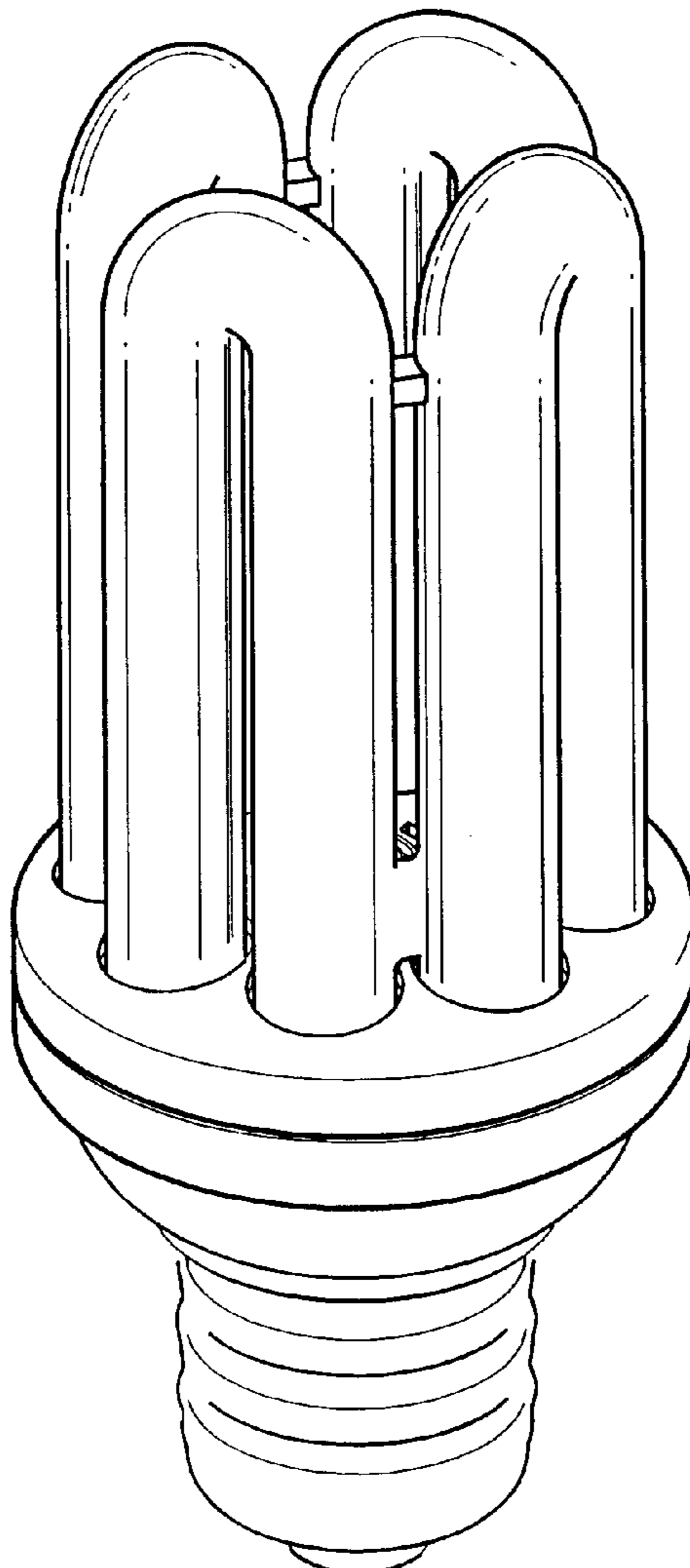
**U.S. PATENT DOCUMENTS**

FIG. 8 is a perspective view of the light bulb.

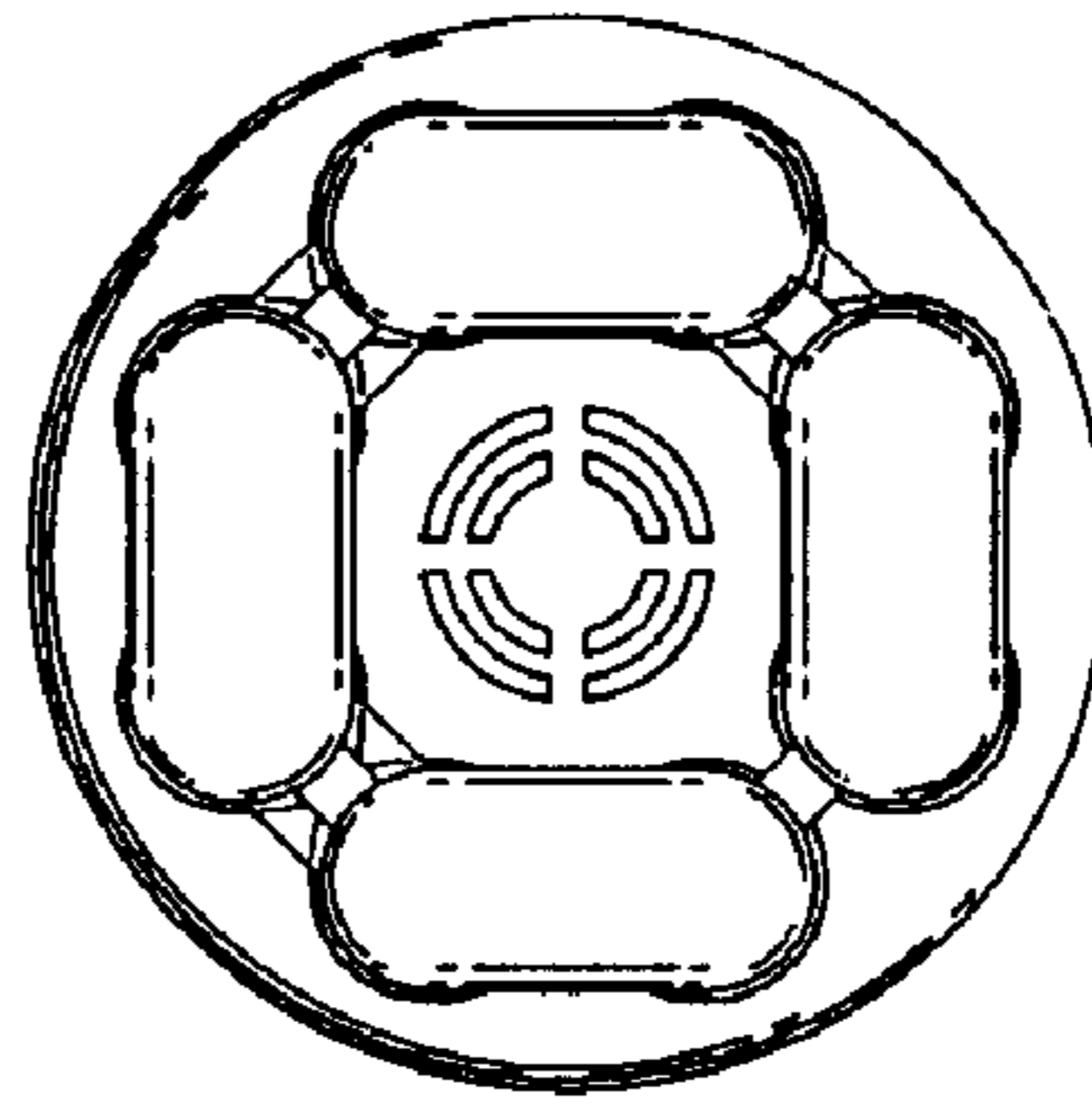
D422,371 S	*	4/2000	Kato et al.	.....	D26/3
D430,318 S	*	8/2000	Choi	.....	D26/3
D447,823 S	*	9/2001	Choi	.....	D26/3

\* cited by examiner

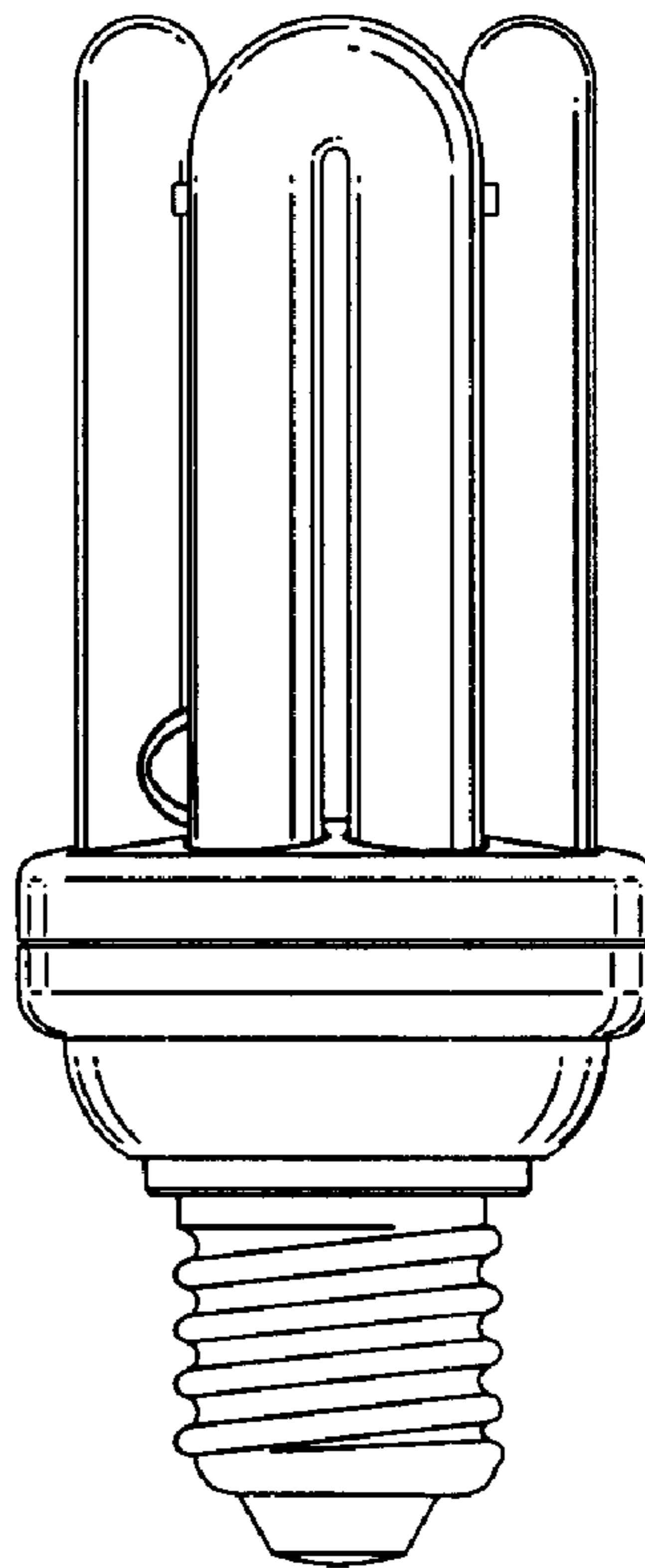
**1 Claim, 3 Drawing Sheets**



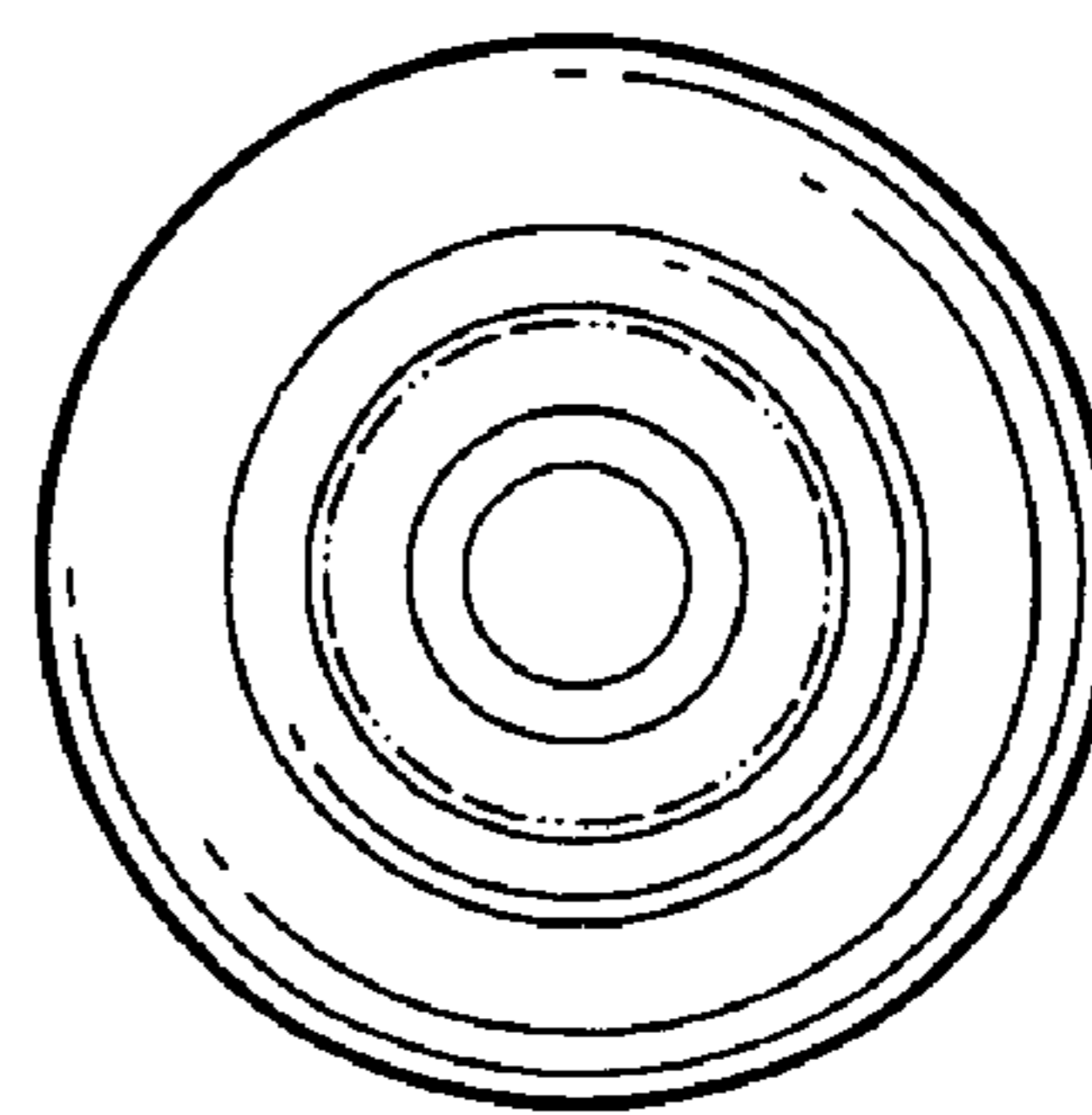
**FIG. 2**

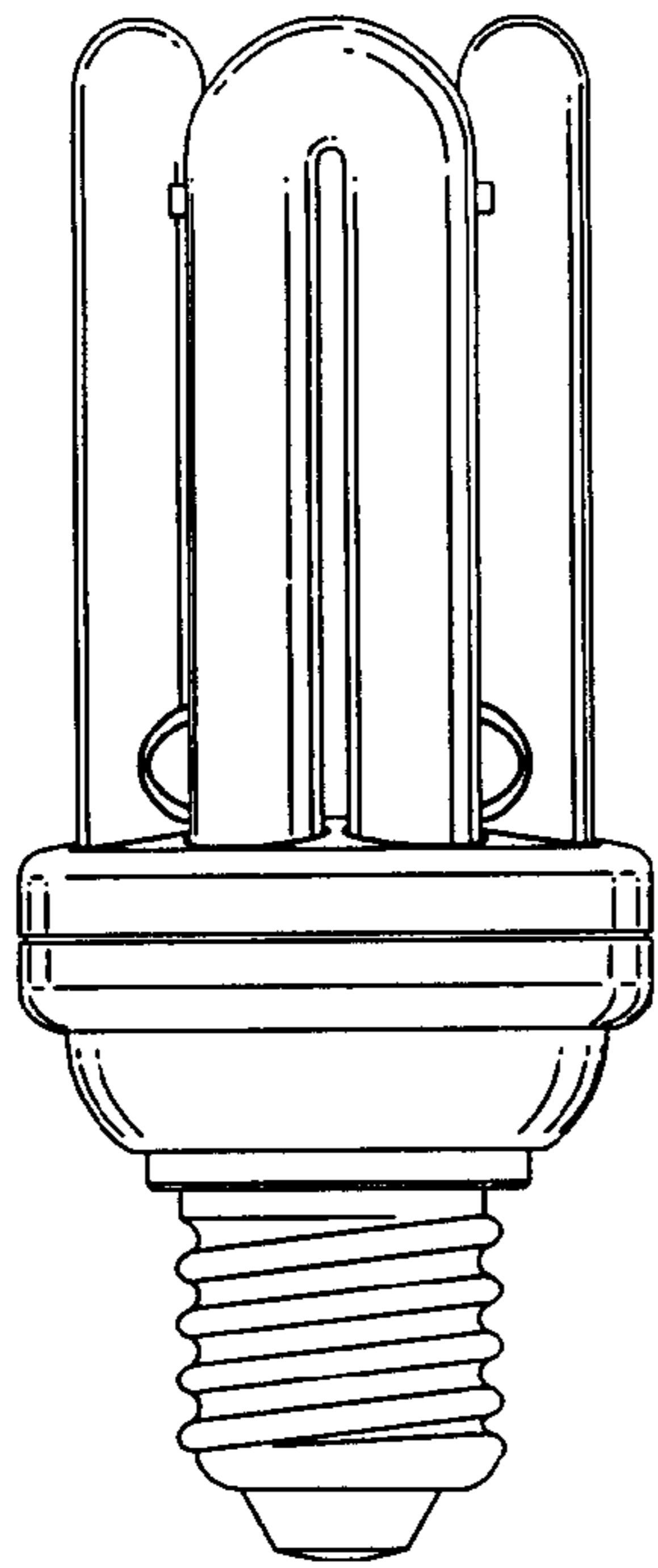


**FIG. 1**

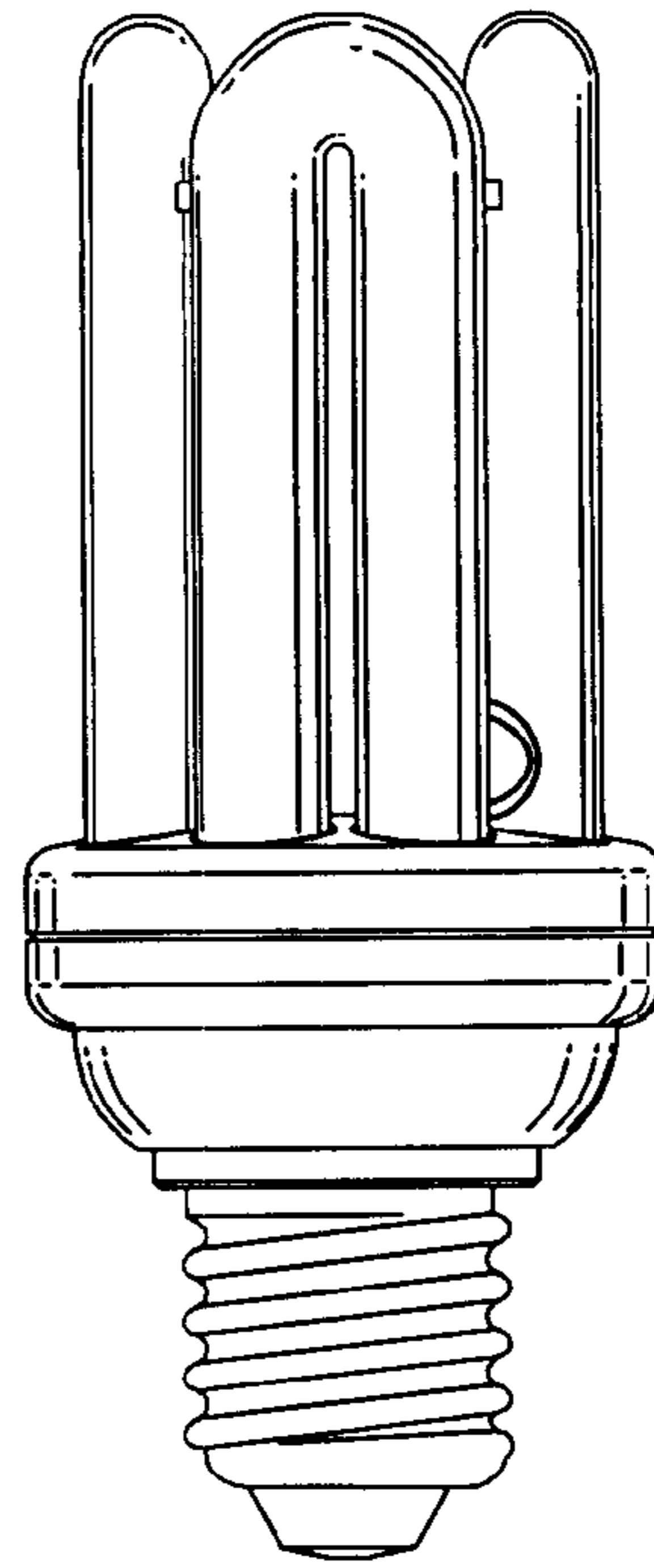


**FIG. 3**

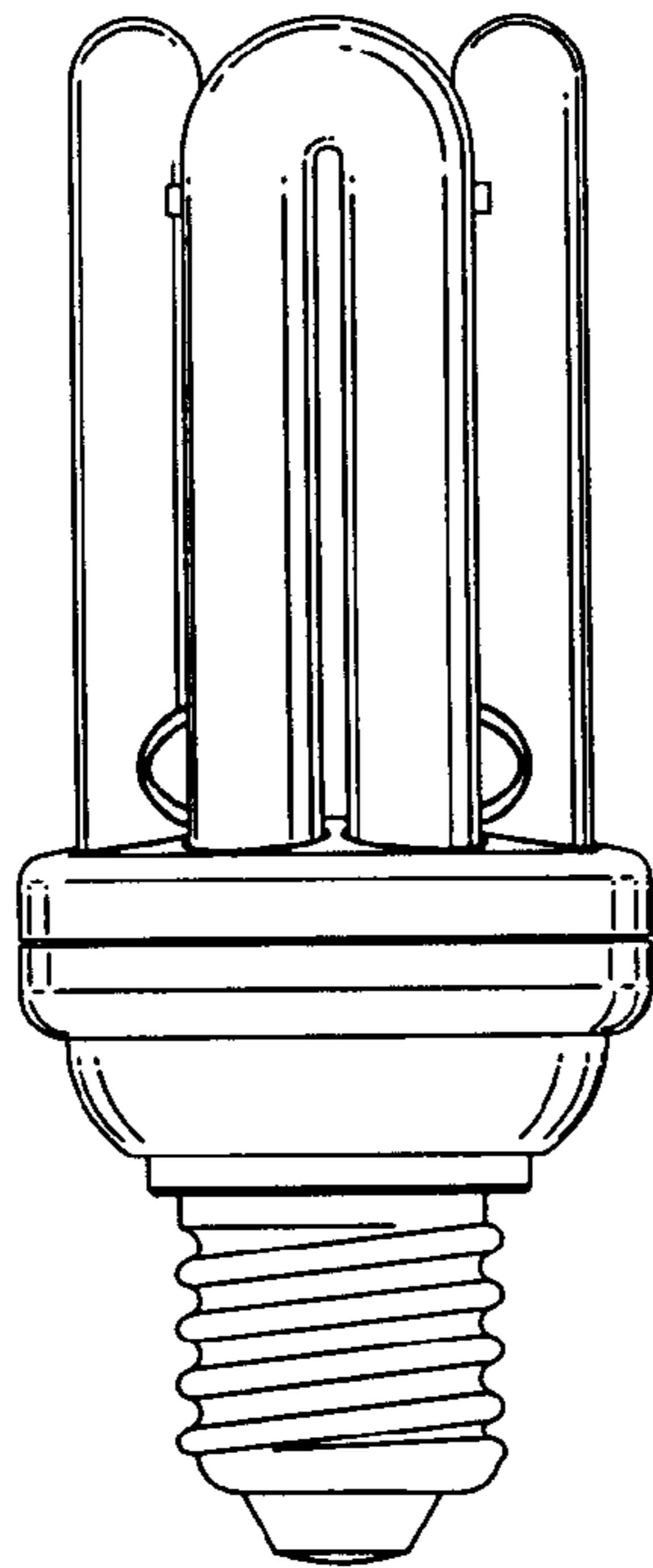




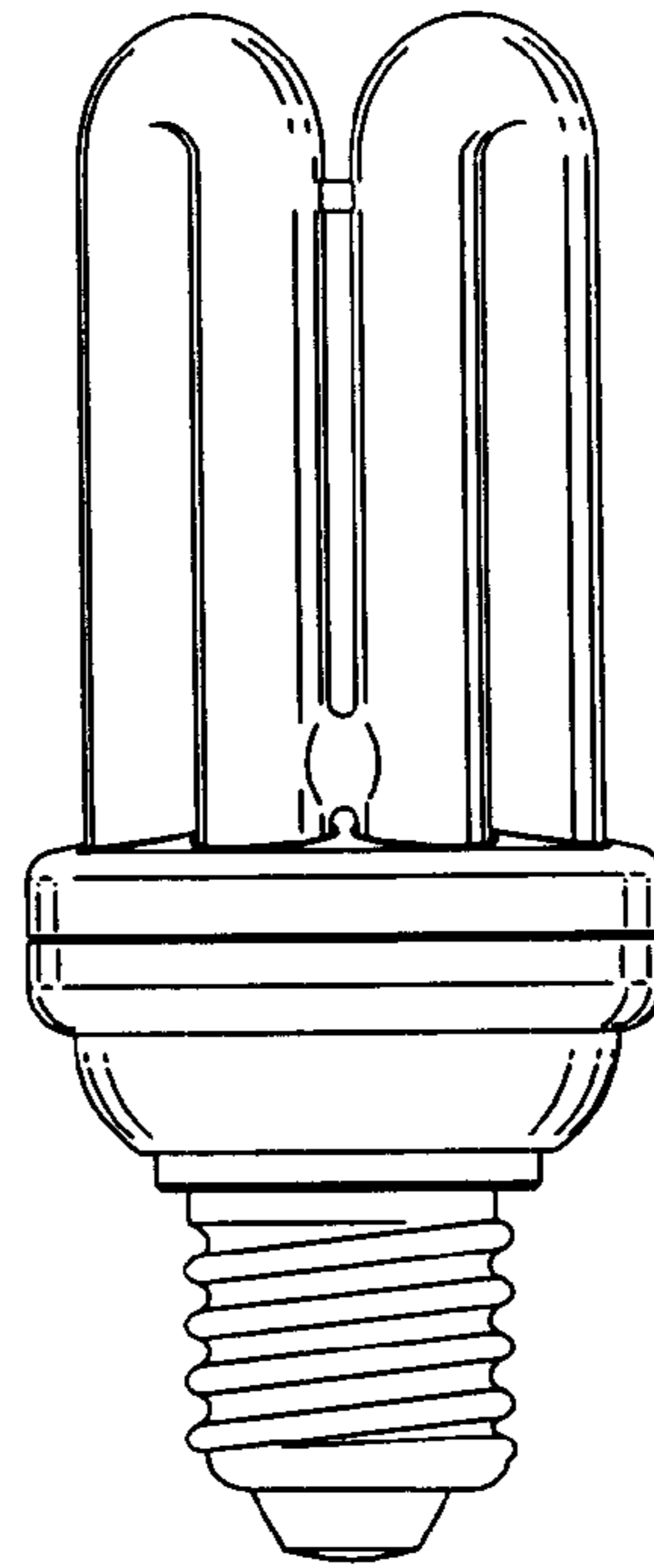
**FIG. 4**



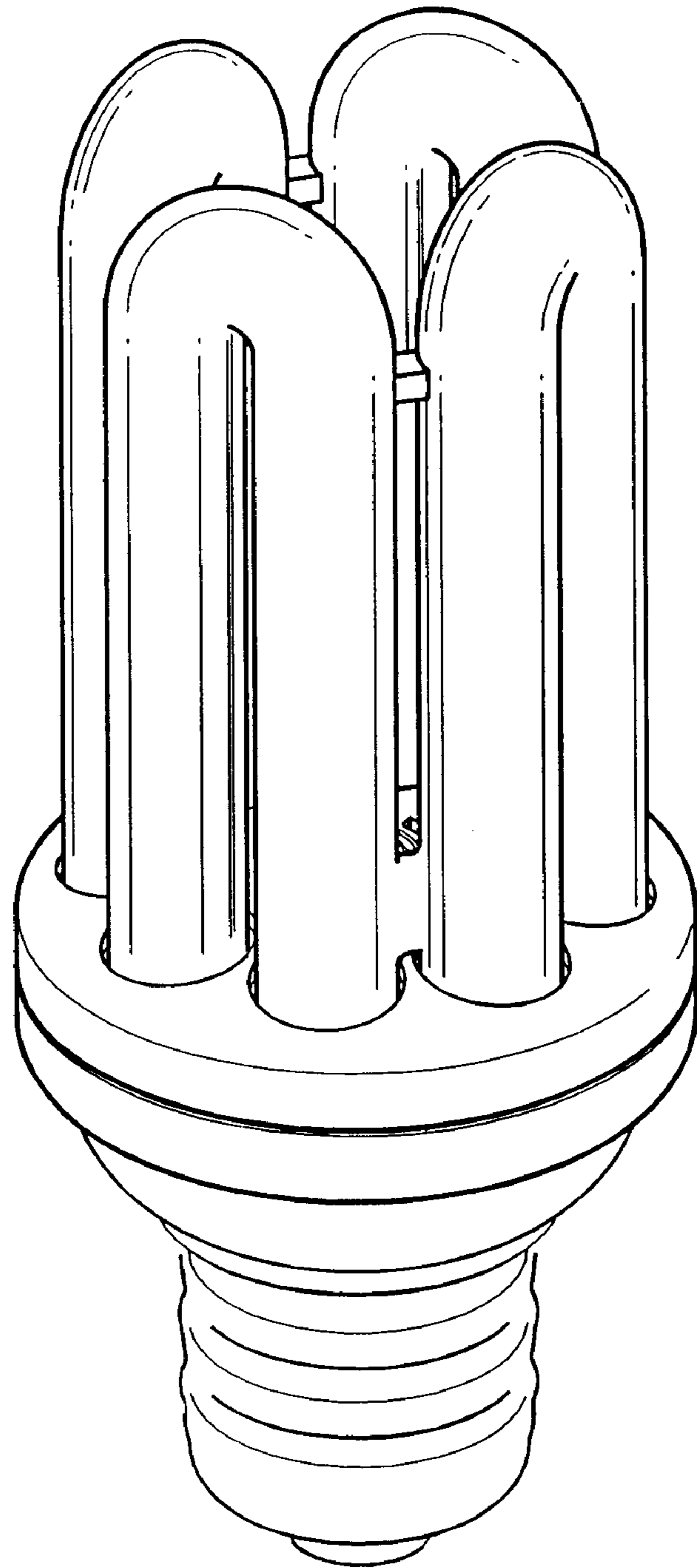
**FIG. 5**



**FIG. 6**



**FIG. 7**



**FIG. 8**