



US00D464149S

(12) **United States Design Patent**
Risi et al.

(10) **Patent No.:** **US D464,149 S**

(45) **Date of Patent:** **** Oct. 8, 2002**

(54) **RETAINING WALL BLOCK**

(75) Inventors: **Angelo Risi**, Richmond Hill (CA);
Antonio Risi, Richmond Hill (CA)

(73) Assignee: **Rothbury International Inc.**, Thornhill (CA)

(**) Term: **14 Years**

(21) Appl. No.: **29/152,108**

(22) Filed: **Dec. 18, 2001**

(51) **LOC (7) Cl.** **25-01**

(52) **U.S. Cl.** **D25/113**

(58) **Field of Search** D25/112-116,
D25/118; D21/484, 491-492, 500-505;
405/16, 272-273, 284; 404/29, 34-42;
52/102, 581, 588.1, 582.1, 582.2, 596-599,
603-605, 608, 612

(56) **References Cited**

U.S. PATENT DOCUMENTS

708,499 A * 9/1902 Searight 52/603 X
1,183,624 A * 5/1916 Boehm D25/113 X
1,350,764 A * 8/1920 Wood 52/603

2,145,113 A * 1/1939 Fulcher 52/603
D280,024 S * 8/1985 Risi et al. D25/113
5,064,313 A * 11/1991 Risi et al. 405/284
5,622,456 A * 4/1997 Risi et al. 405/284
D403,437 S * 12/1998 Risi et al. D25/113

* cited by examiner

Primary Examiner—Louis S. Zarfaz
Assistant Examiner—Robert A. Delehanty
(74) *Attorney, Agent, or Firm*—Robic

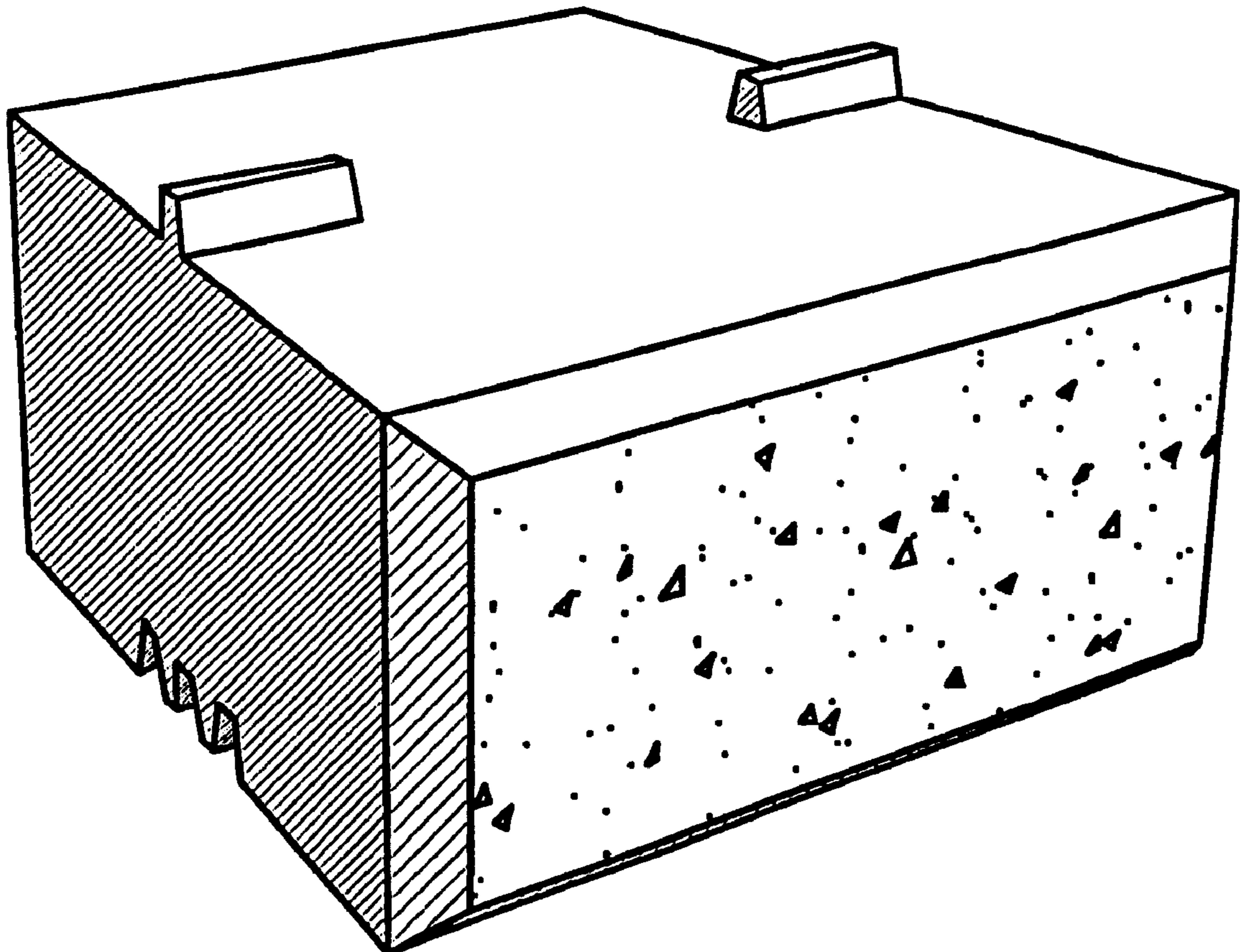
(57) **CLAIM**

The ornamental design for a retaining wall block, as shown and described.

DESCRIPTION

FIG. 1 is a perspective view of a retaining wall block showing our new design;
FIG. 2 is a left side elevational view thereof, the right side elevational view being a mirror copy of this view;
FIG. 3 is a top plan view thereof;
FIG. 4 is a front elevational view thereof;
FIG. 5 is a rear elevational view thereof; and,
FIG. 6 is a bottom plan view thereof.

1 Claim, 3 Drawing Sheets



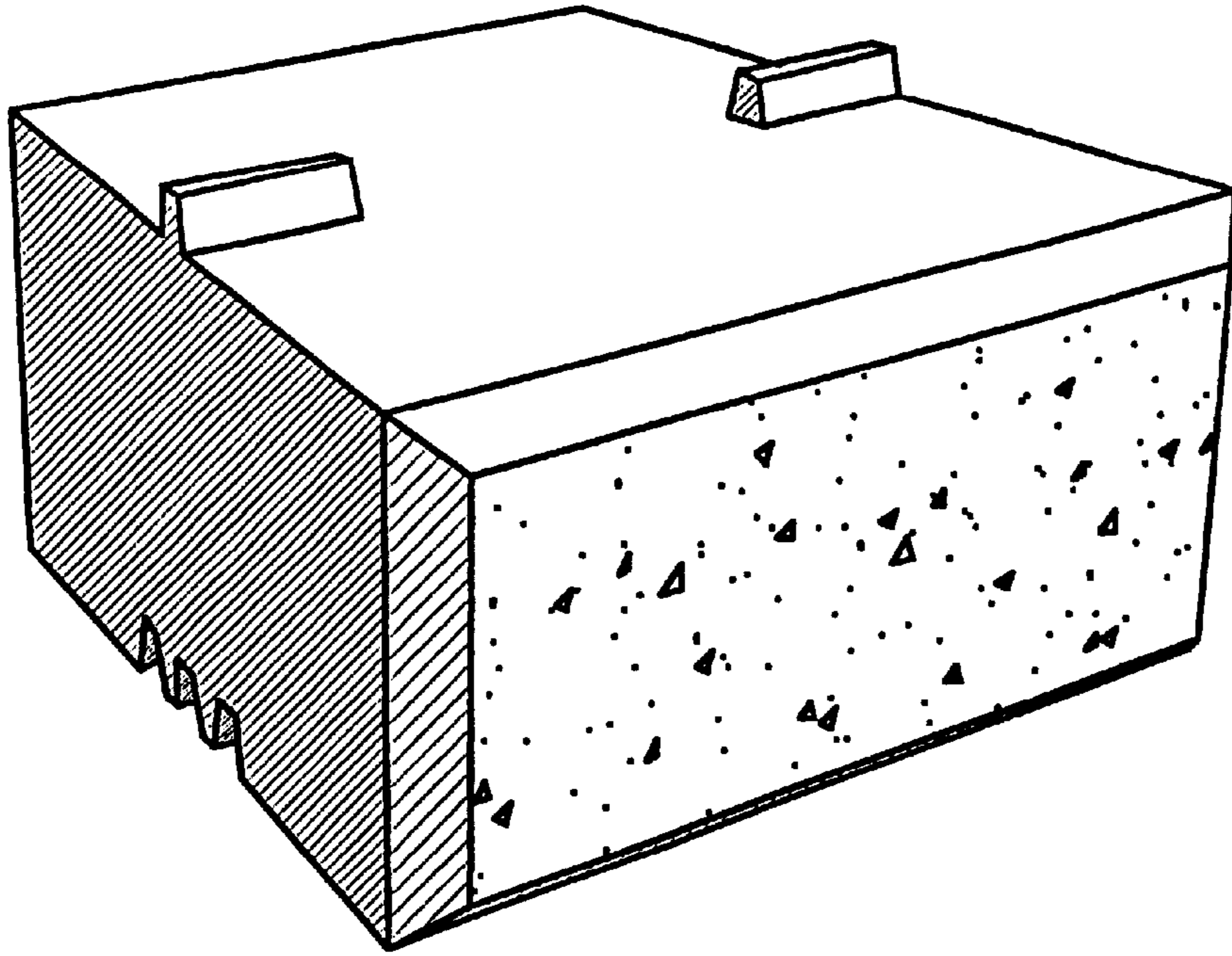


FIG. 1

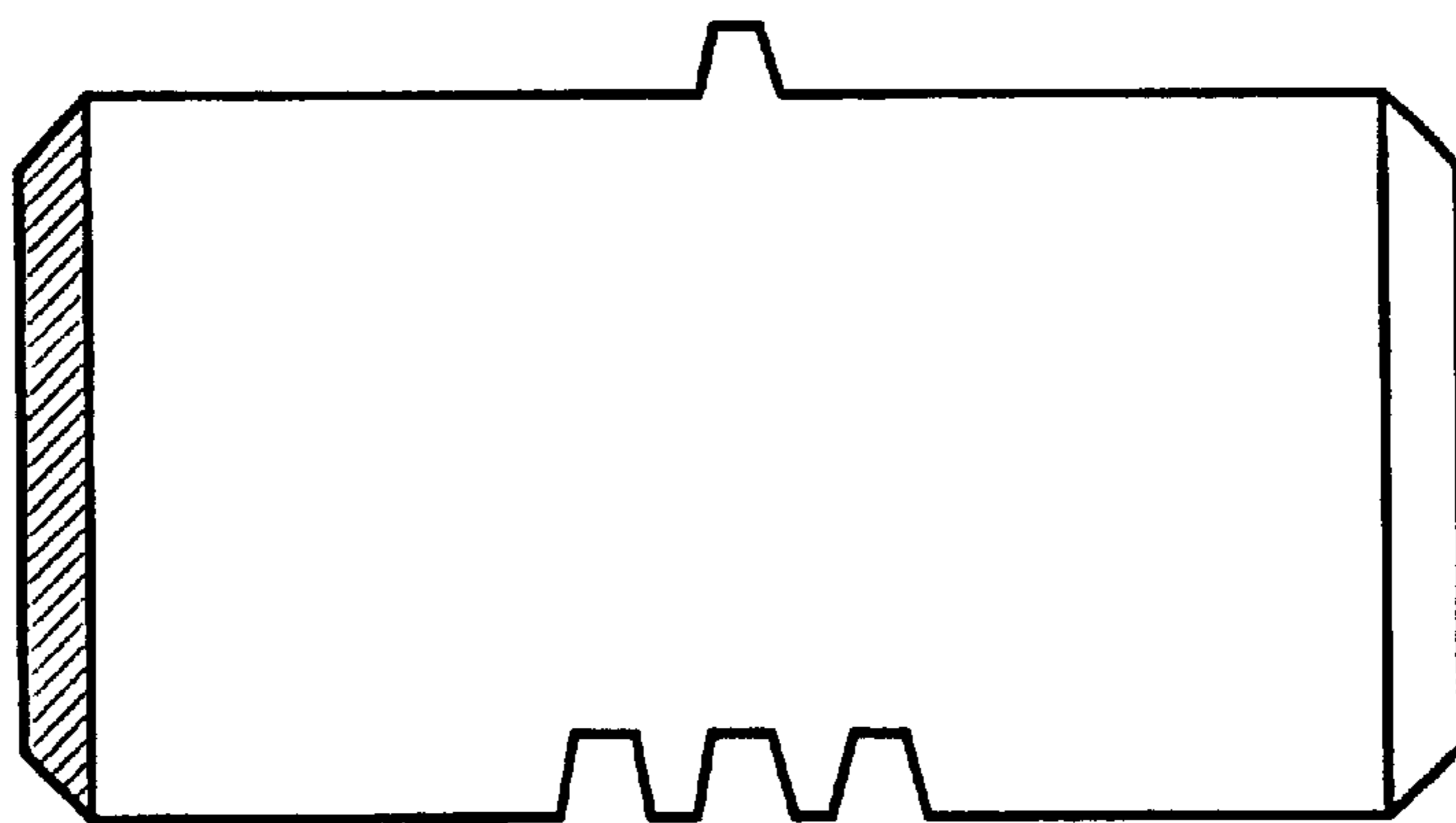


FIG. 2

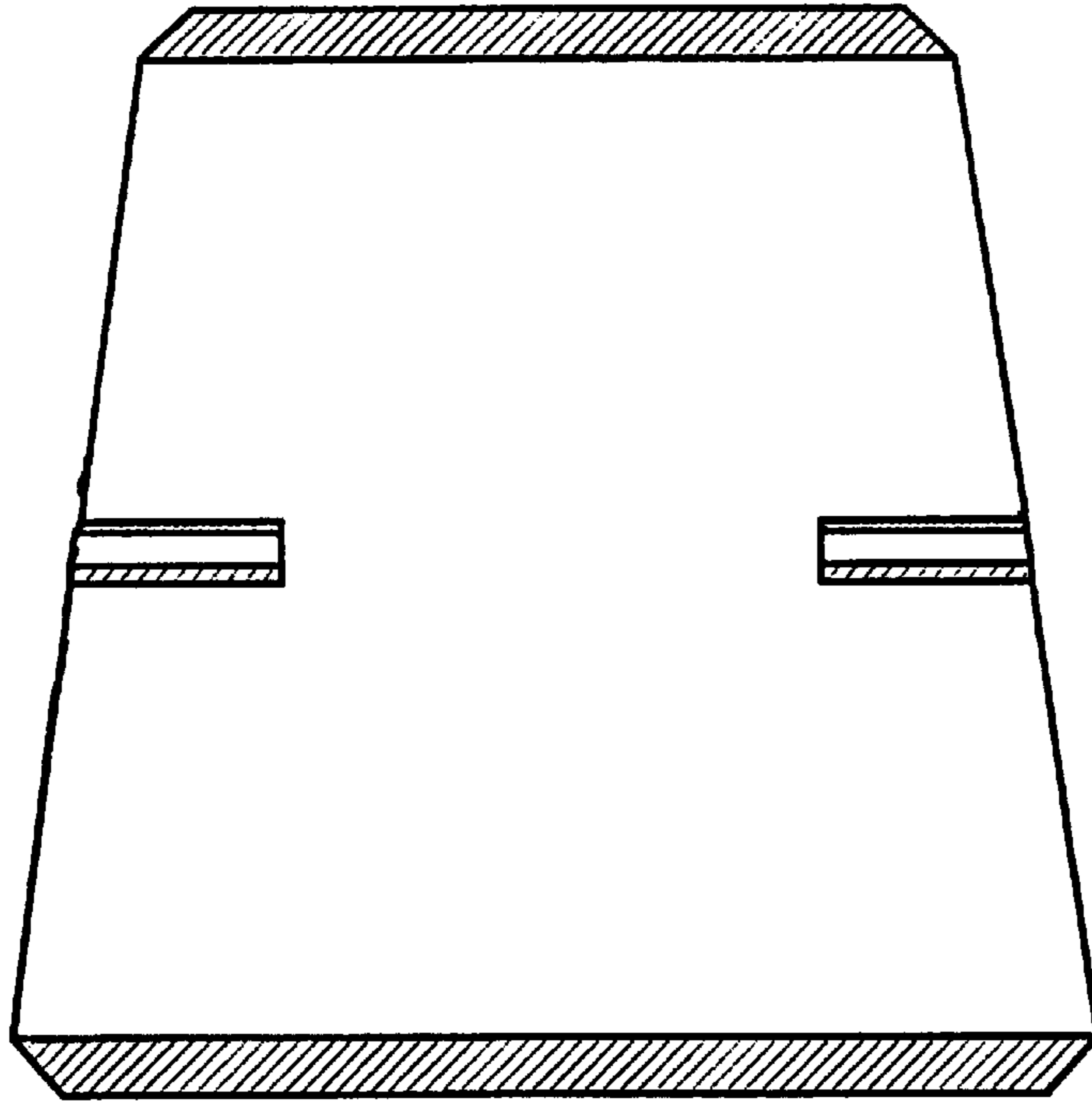


FIG. 3

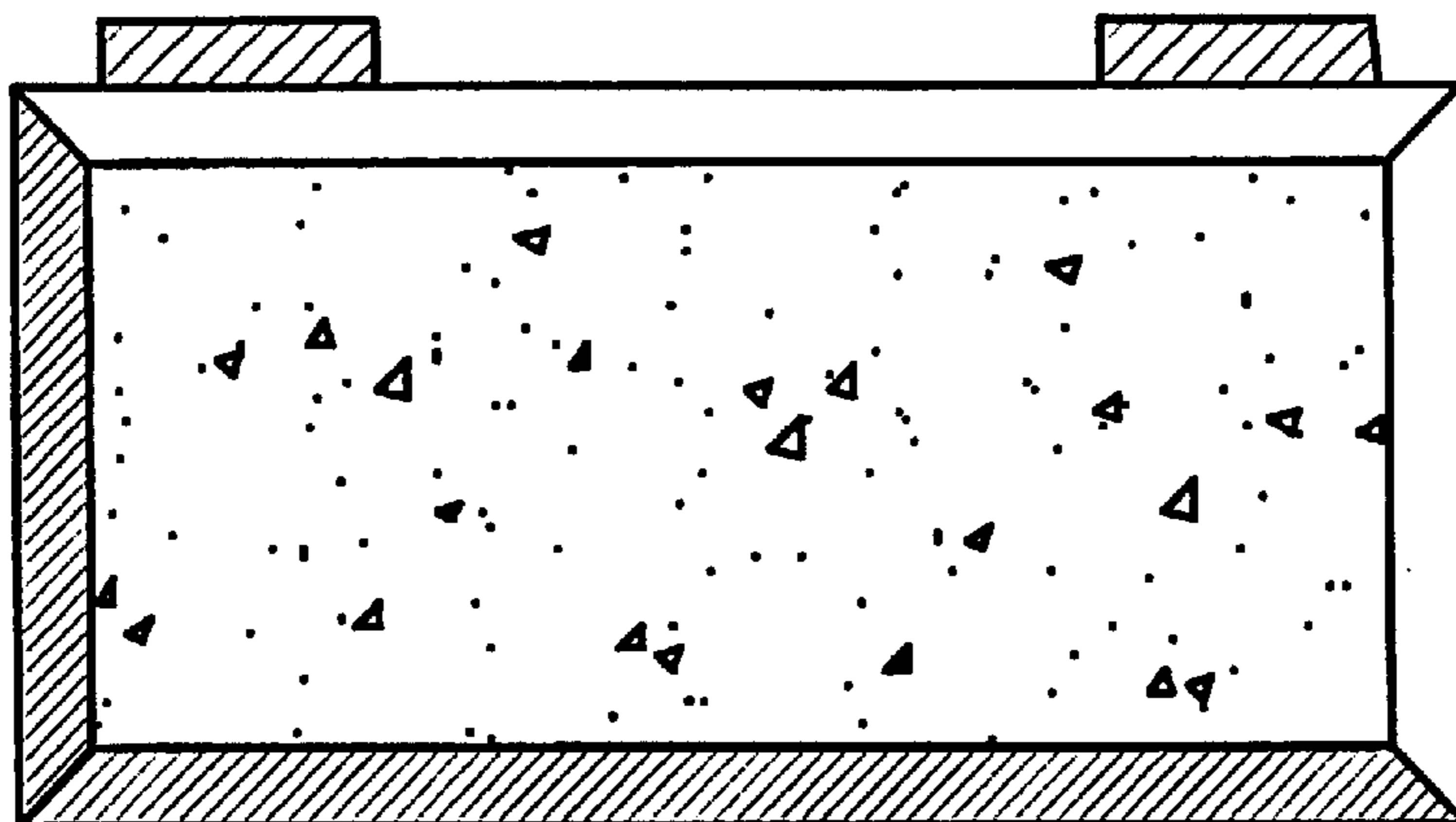


FIG. 4

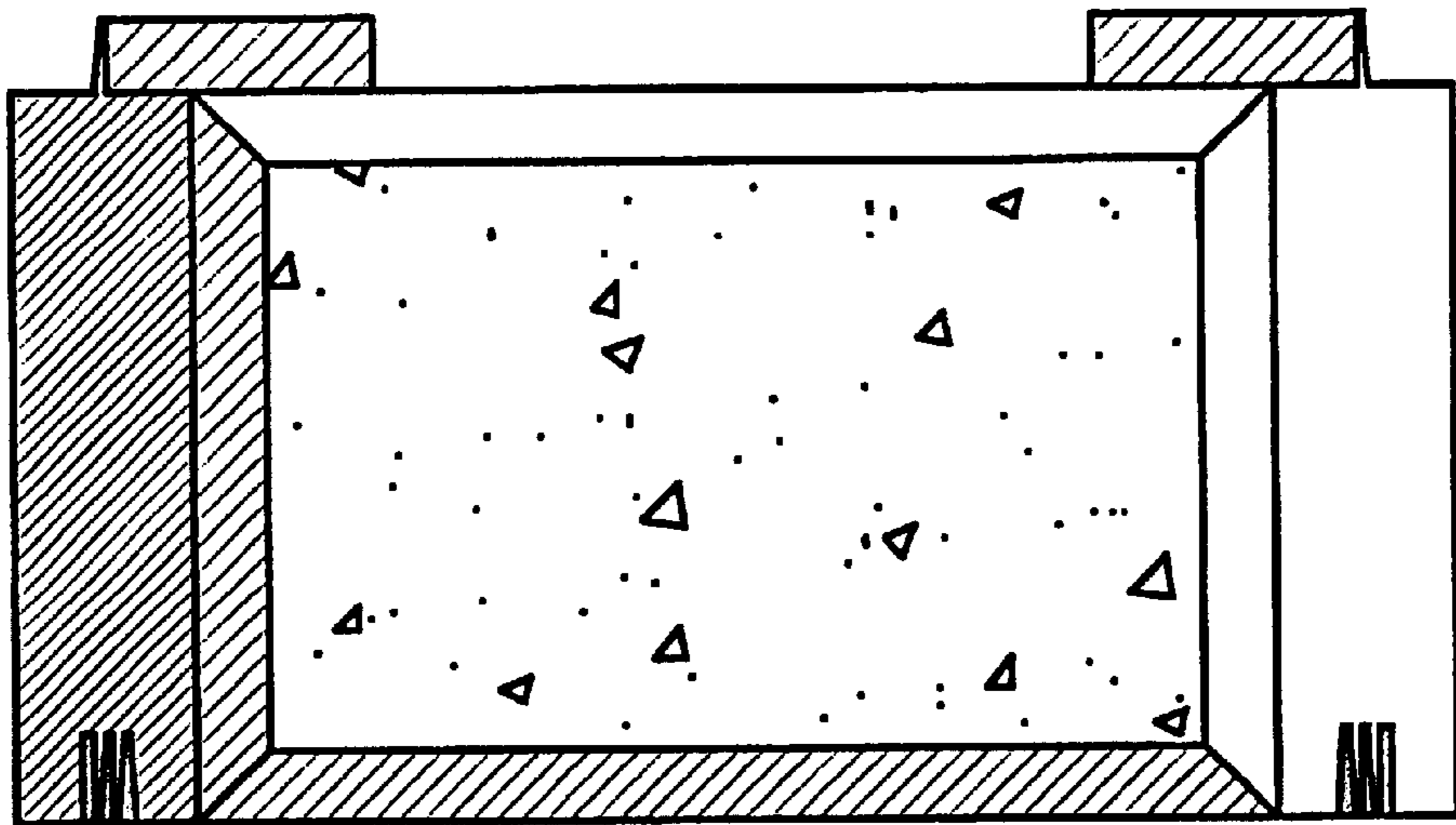


FIG. 5

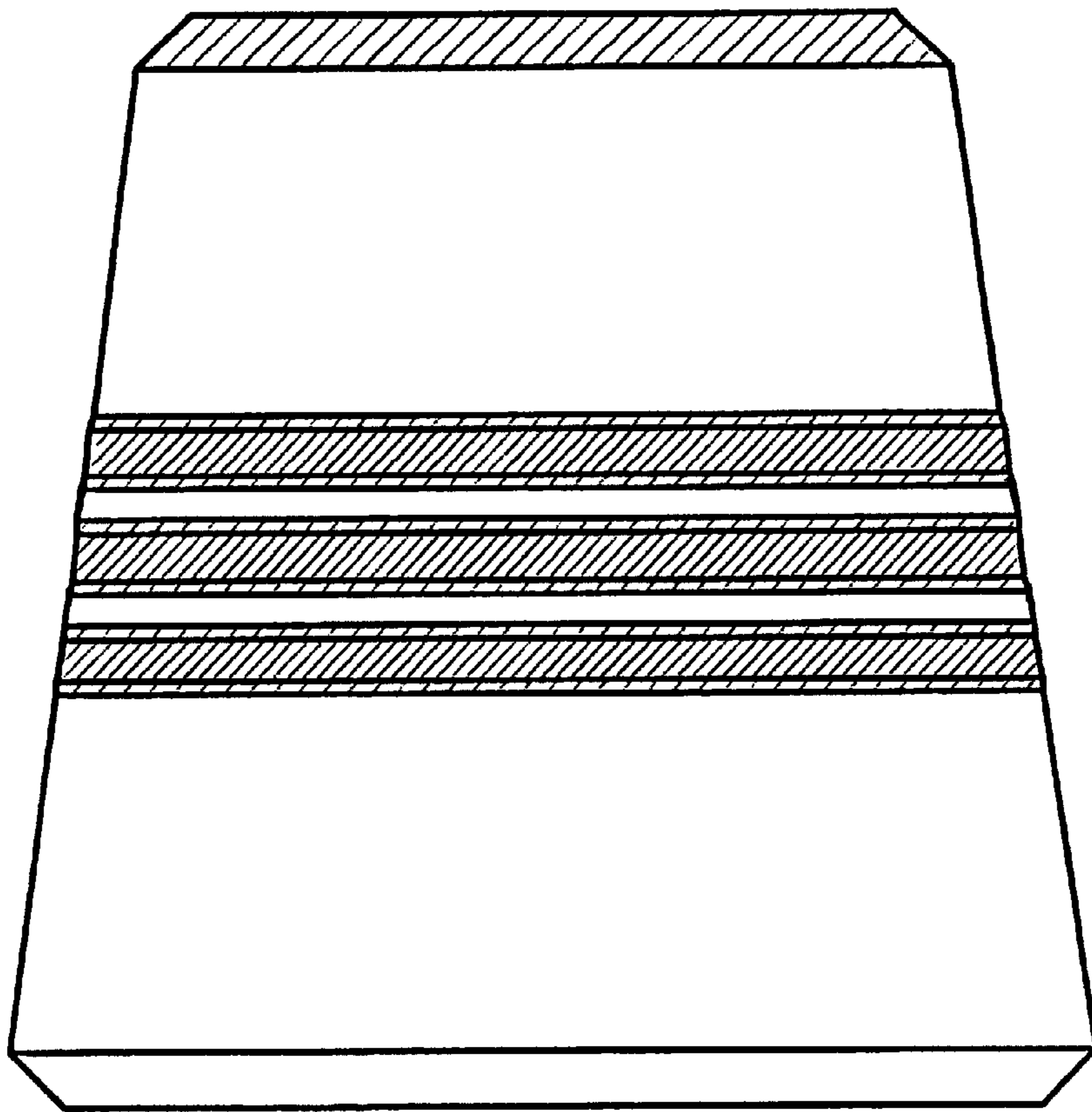


FIG. 6