



US00D464146S

(12) **United States Design Patent**  
**Payne**

(10) **Patent No.:** **US D464,146 S**

(45) **Date of Patent:** **\*\* Oct. 8, 2002**

(54) **RAMP FOR A PORTABLE SIDEWALK**

D388,647 S 1/1998 Odell  
5,833,386 A 11/1998 Rosan et al.  
D445,920 S \* 7/2001 Payne ..... D25/113

(76) Inventor: **Kenneth A. Payne**, P.O. Box 504,  
Planterville, MS (US) 38862

(\*\*) Term: **14 Years**

\* cited by examiner

(21) Appl. No.: **29/147,302**

*Primary Examiner*—Louis S. Zarfes  
*Assistant Examiner*—Robert A. Delehanty  
(74) *Attorney, Agent, or Firm*—Lanier Ford Shaver &  
Payne, P.C.; Gerald M. Walsh

(22) Filed: **Aug. 27, 2001**

(51) **LOC (7) Cl.** ..... **25-01**

(57) **CLAIM**

(52) **U.S. Cl.** ..... **D25/113**

I claim the ornamental design for a ramp for a portable  
sidewalk, as shown and described.

(58) **Field of Search** ..... D25/112–116,  
D25/118; D21/484, 489, 491–492, 500–505;  
405/16, 272–273, 284; 404/29, 32–42;  
52/102, 581, 588.1, 582.1, 582.2, 596–599,  
603–605, 608, 612

**DESCRIPTION**

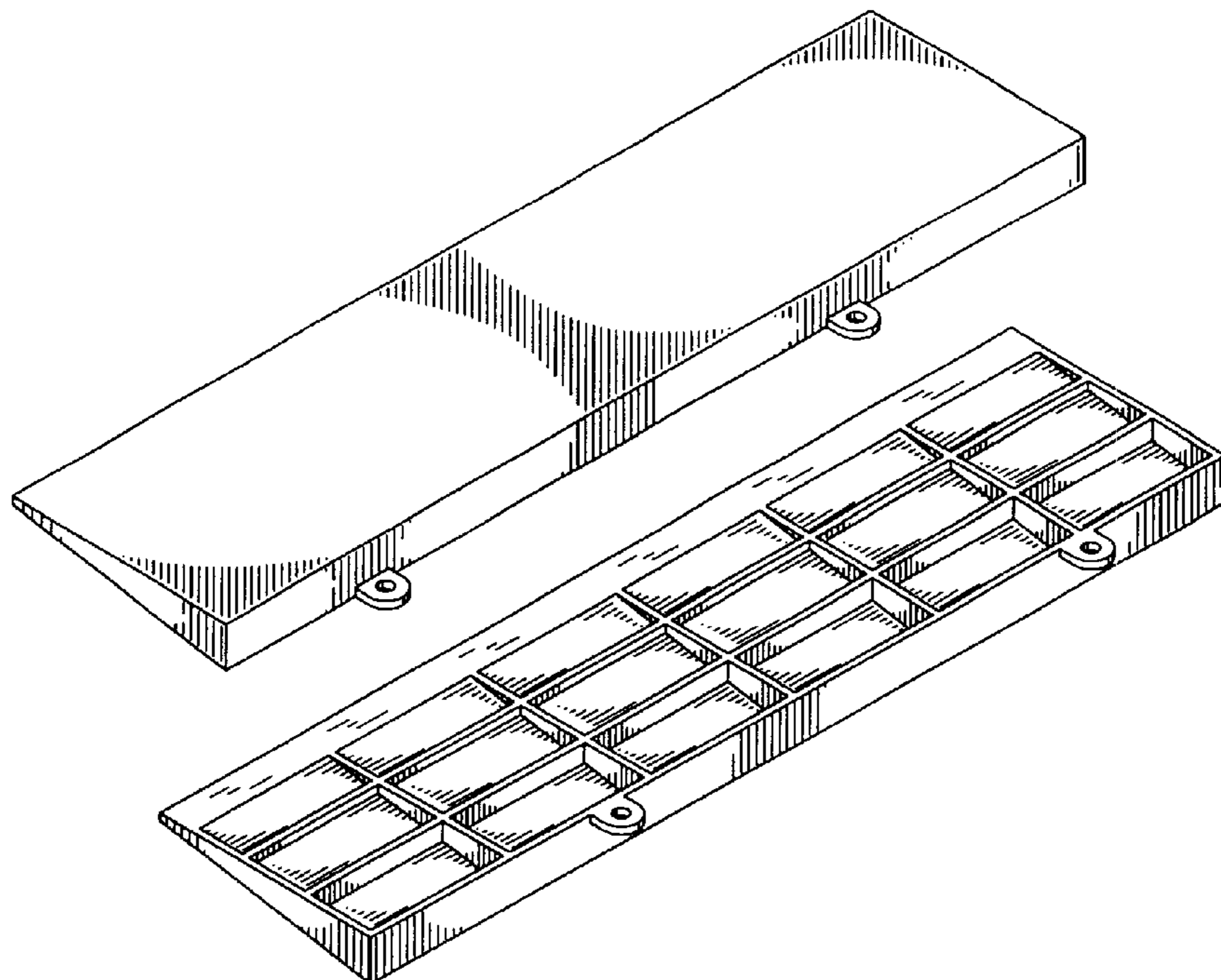
(56) **References Cited**

**U.S. PATENT DOCUMENTS**

369,478 A *	9/1887	Snow	404/41
3,802,144 A	4/1974	Spica	
4,596,731 A	6/1986	Cudmore et al.	
4,642,946 A *	2/1987	Koch	52/38
4,681,482 A	7/1987	Arciszewski et al.	
4,826,351 A	5/1989	Haberhauer et al.	
4,917,532 A	4/1990	Haberhauer et al.	
D318,077 S *	7/1991	Larsen et al.	D21/505
5,190,799 A	3/1993	Ellingson, III	
D336,524 S *	6/1993	White et al.	D25/112 X
5,288,165 A	2/1994	Douwes Dekker	
5,527,128 A	6/1996	Rope et al.	
5,544,973 A *	8/1996	Frizell et al.	405/16
5,640,821 A *	6/1997	Koch	52/582.1 X

FIG. 1 is a top, front, and left perspective view of the ramp for a portable sidewalk of the present invention.  
FIG. 2 is a bottom front and right side perspective view of the ramp for a portable sidewalk of FIG. 1.  
FIG. 3 is a top plan view of the ramp for a portable sidewalk of FIG. 1.  
FIG. 4 is a bottom plan view of the ramp for a portable sidewalk of FIG. 1.  
FIG. 5 is a front elevation view of the ramp for a portable sidewalk of FIG. 1.  
FIG. 6 is a rear elevation view of the ramp for a portable sidewalk of FIG. 1.  
FIG. 7 is a right side elevation view of the ramp for a portable sidewalk of FIG. 1; and,  
FIG. 8 is a left side elevation view of the ramp for a portable sidewalk of FIG. 1.

**1 Claim, 1 Drawing Sheet**



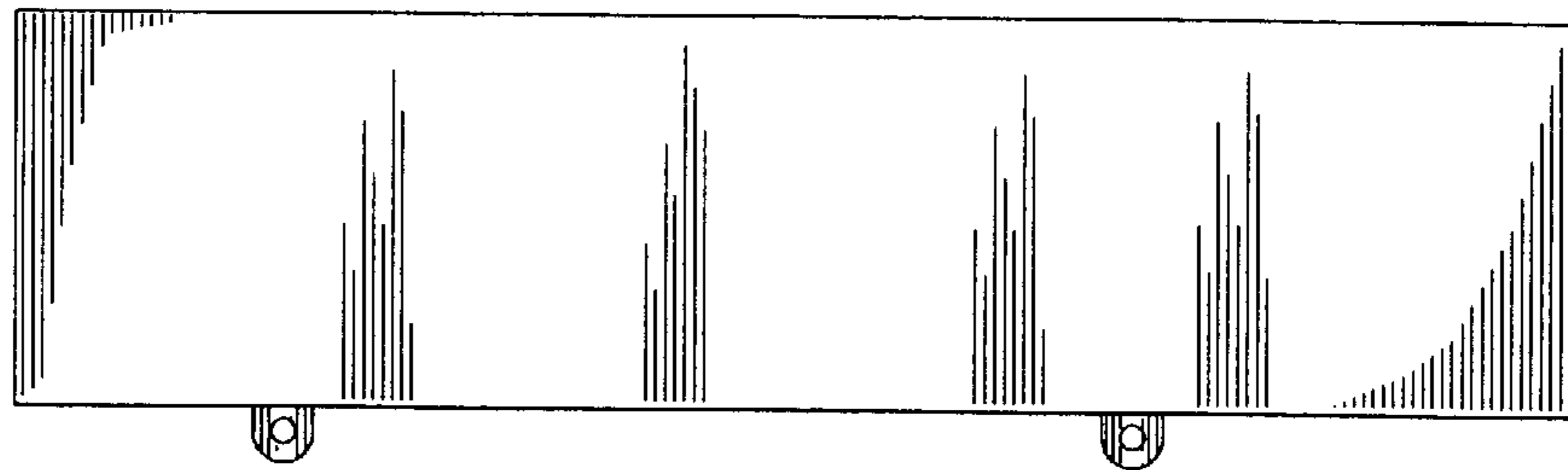
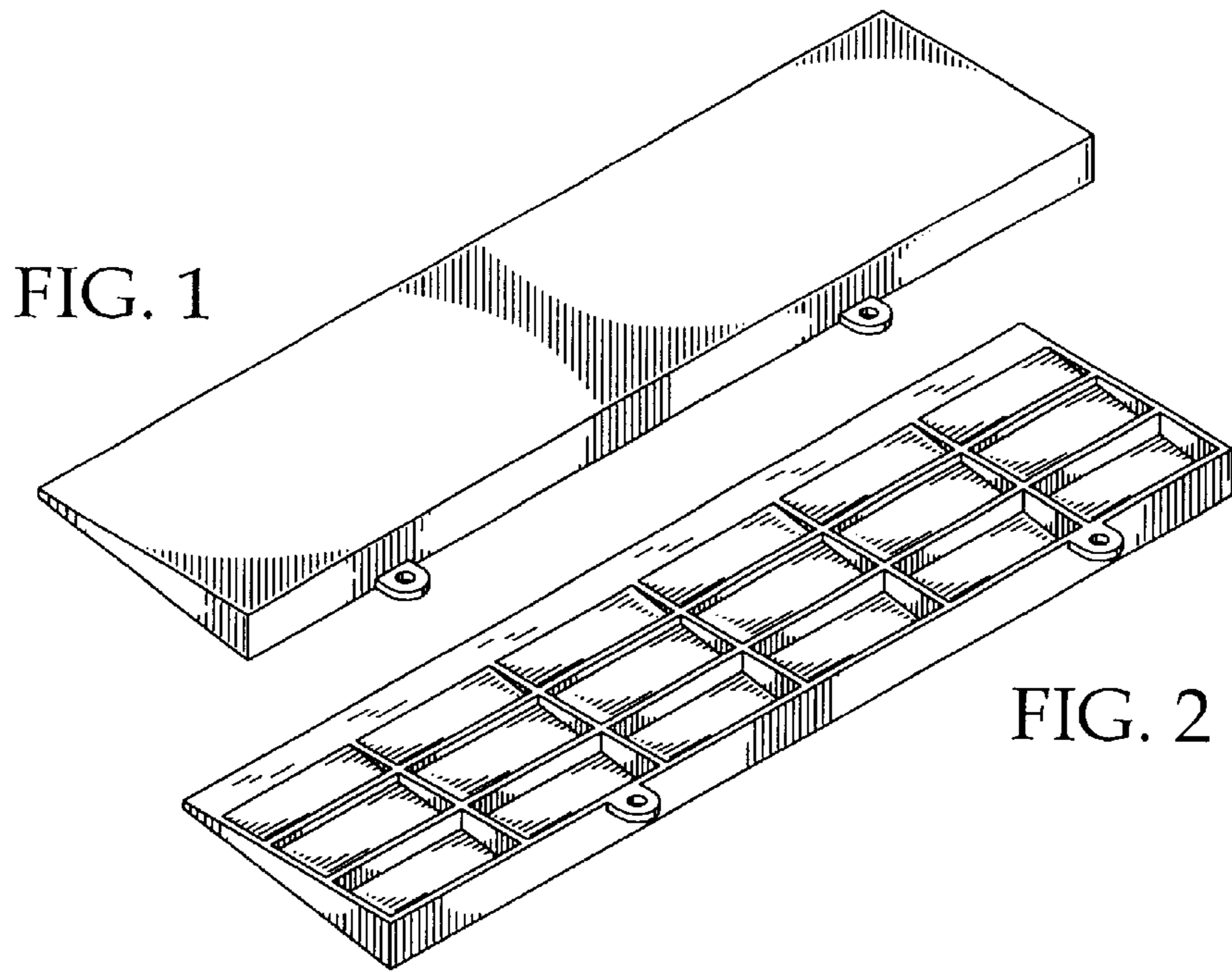


FIG. 3

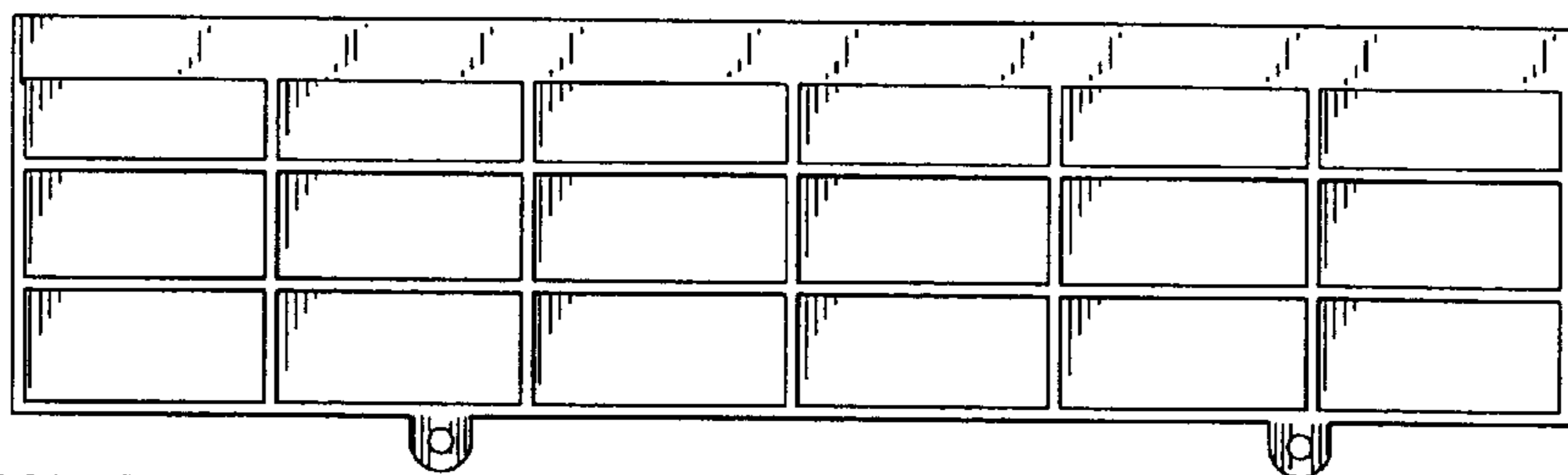


FIG. 4

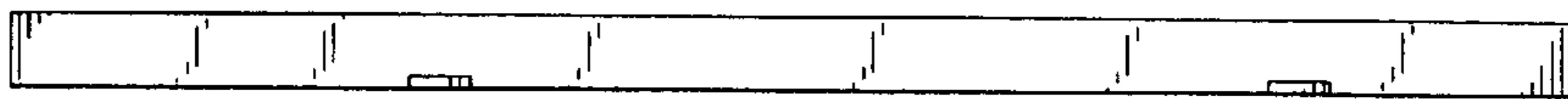


FIG. 5

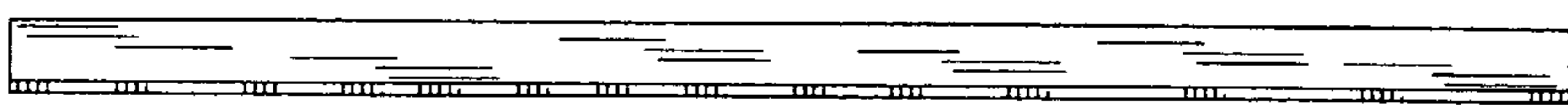


FIG. 6

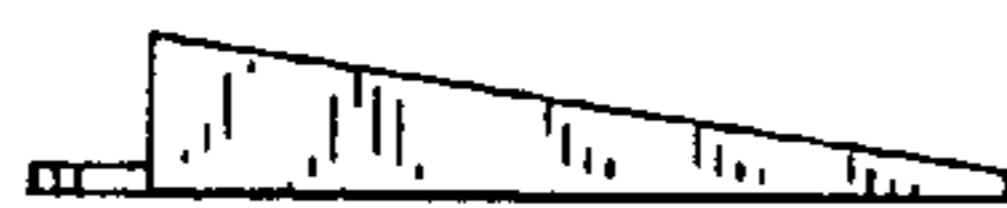


FIG. 7

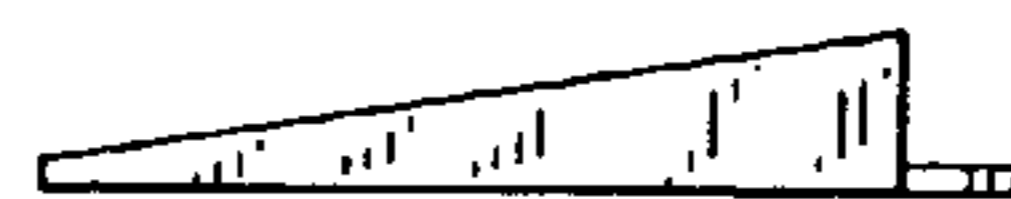


FIG. 8