



US00D464141S

(12) **United States Design Patent**  
**McMenamy et al.**

(10) **Patent No.:** **US D464,141 S**  
(45) **Date of Patent:** **\*\* Oct. 8, 2002**

(54) **TEST DEVICE PLATFORM**

(75) Inventors: **Jim McMenamy**, Carlsbad, CA (US);  
**James Feng Lin**, Hongzhou (CN)

(73) Assignee: **Acon Laboratories, Inc.**, San Diego,  
CA (US)

(\*\*) Term: **14 Years**

(21) Appl. No.: **29/131,287**

(22) Filed: **Oct. 17, 2000**

(51) **LOC (7) Cl.** ..... **24-02**

(52) **U.S. Cl.** ..... **D24/216; D24/225; D24/223**

(58) **Field of Search** ..... **D24/225, 223,**  
**D24/216, 224; 422/58, 56, 55, 82.08, 102,**  
**104, 82.01, 87, 59, 60; 435/287.7, 805,**  
**301.5; D10/81; D20/22, 23, 24, 27, 25**

(56) **References Cited**

**U.S. PATENT DOCUMENTS**

D366,938 S \* 2/1996 Shartle et al. .... D24/225  
D420,141 S \* 2/2000 Casterlin ..... D24/223

\* cited by examiner

*Primary Examiner*—Ian Simmons

(74) *Attorney, Agent, or Firm*—David R Preston &  
Associates; David Preston

(57) **CLAIM**

The ornamental design for a test device platform, as shown  
and described.

**DESCRIPTION**

FIG. 1 is a perspective view of test device platform showing  
our new design, lined for the colors pink or red;

FIG. 2 is a perspective view of a second embodiment of a  
test device platform showing our new design, lined for the  
color blue;

FIG. 3 is a perspective view of a third embodiment of a test  
device platform showing our new design, lined for the colors  
violet or purple;

FIG. 4 is a perspective view of a fourth embodiment of a test  
device platform showing our new design, lined for the colors  
grey or silver;

FIG. 5 is a perspective view of a fifth embodiment of a test  
device platform showing our new design, lined for the color  
green;

FIG. 6 is a perspective view of a sixth embodiment of a test  
device platform showing our new design, lined for the color  
brown;

FIG. 7 is a perspective view of a seventh embodiment of a  
test device platform showing our new design, lined for the  
colors yellow or gold;

FIG. 8 is a perspective view of a eighth embodiment of a test  
device platform showing our new design, lined for the color  
orange;

FIG. 9 is a perspective view of a ninth embodiment of a test  
device platform showing our new design, lined for the color  
black;

FIG. 10 is top plan view of a tenth embodiment of a test  
device platform showing our new design, lined for trans-  
parent or translucent;

FIG. 11 is a right side view thereof;

FIG. 12 is a left side view thereof;

FIG. 13 is an end view thereof;

FIG. 14 is an end view thereof, opposite that shown in FIG.  
13;

FIG. 15 is a bottom plan view thereof;

FIG. 16 is a perspective view of a sixteenth embodiment of  
a test device platform showing our new design, lined for  
transparent or translucent;

FIG. 17 is a perspective view of a seventeenth embodiment  
of a test device platform showing our new design, lined for  
transparent or translucent and the colors pink or red;

FIG. 18 is a perspective view of a eighteenth embodiment of  
a test device platform showing our new design, lined for  
transparent or translucent and for the color blue;

FIG. 19 is a perspective view of a nineteenth embodiment of  
a test device platform showing our new design, lined for  
transparent or translucent and lined for the colors violet or  
purple;

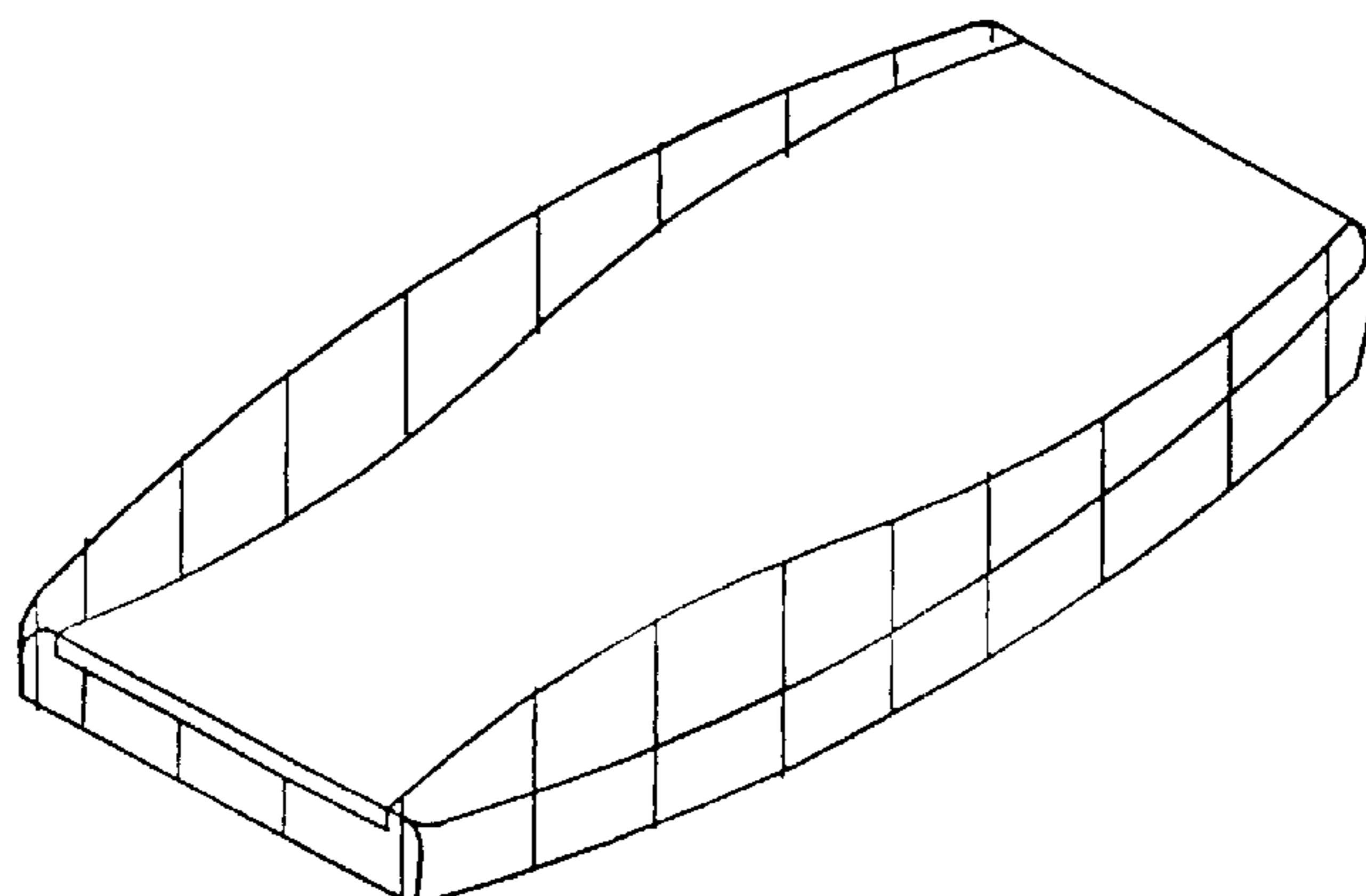


FIG. 20 is a perspective view of a twentieth embodiment of a test device platform showing our new design, lined for transparent or translucent and lined for the colors grey or silver;

FIG. 21 is a perspective view of a twenty first embodiment of a test device platform showing our new design, lined for transparent or translucent and lined for the color green;

FIG. 22 is a perspective view of a twenty second embodiment of a test device platform showing our new design, lined for transparent or translucent and lined for the color brown;

FIG. 23 is a perspective view of a twenty third embodiment of a test device platform showing our new design, lined for transparent or translucent and lined for the colors yellow or gold;

FIG. 24 is a perspective view of a twenty fourth embodiment of a test device platform showing our new design, lined for transparent or translucent and lined for the color orange; and,

FIG. 25 is a perspective view of a twenty fifth embodiment of a test device platform showing our new design, lined for transparent or translucent lined for the color black.

The figures, when lined, are lined for color, transparent or translucent using standard United States Patent and Trademark Office symbols.

**1 Claim, 20 Drawing Sheets**

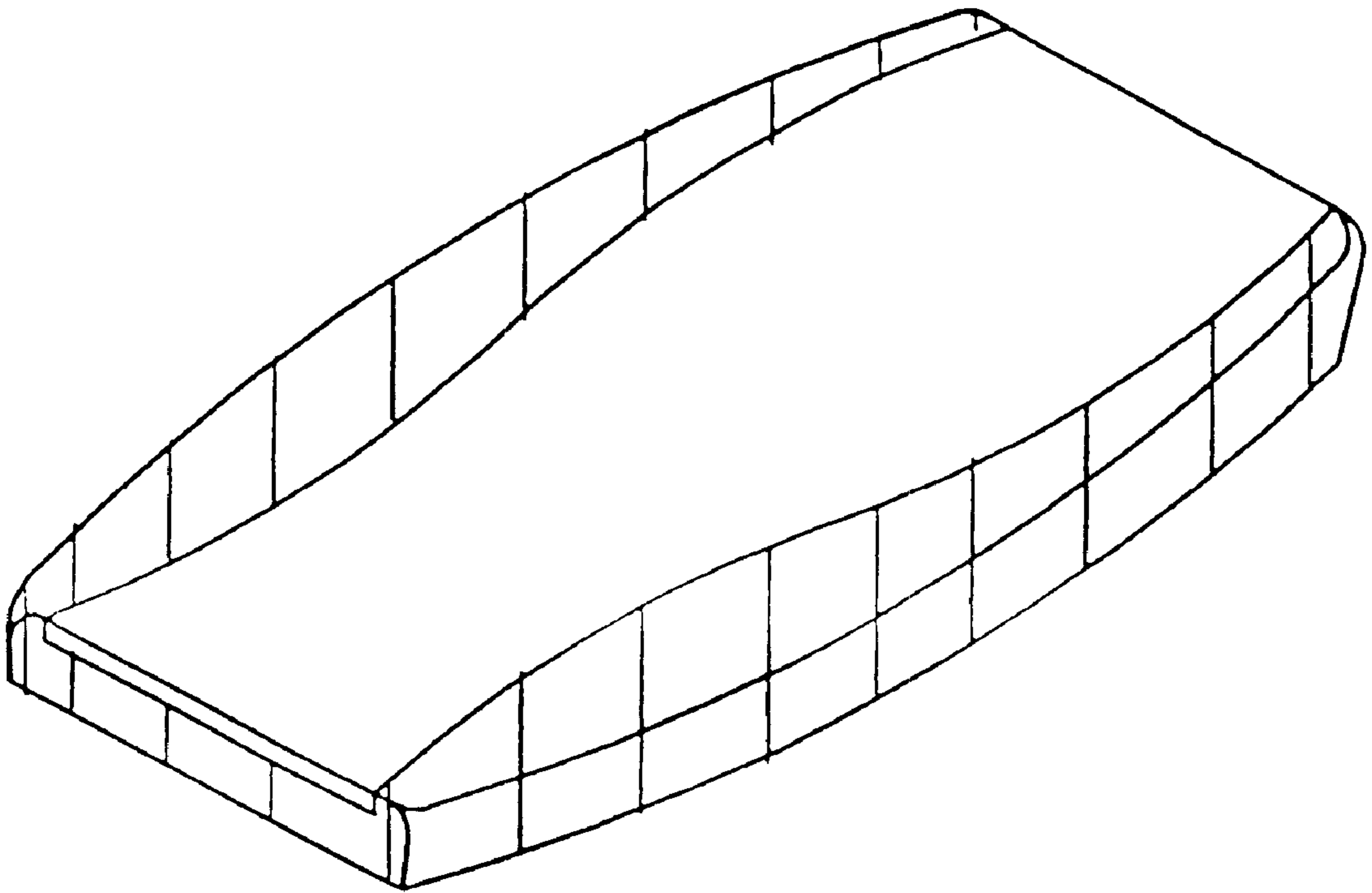


FIG. 1

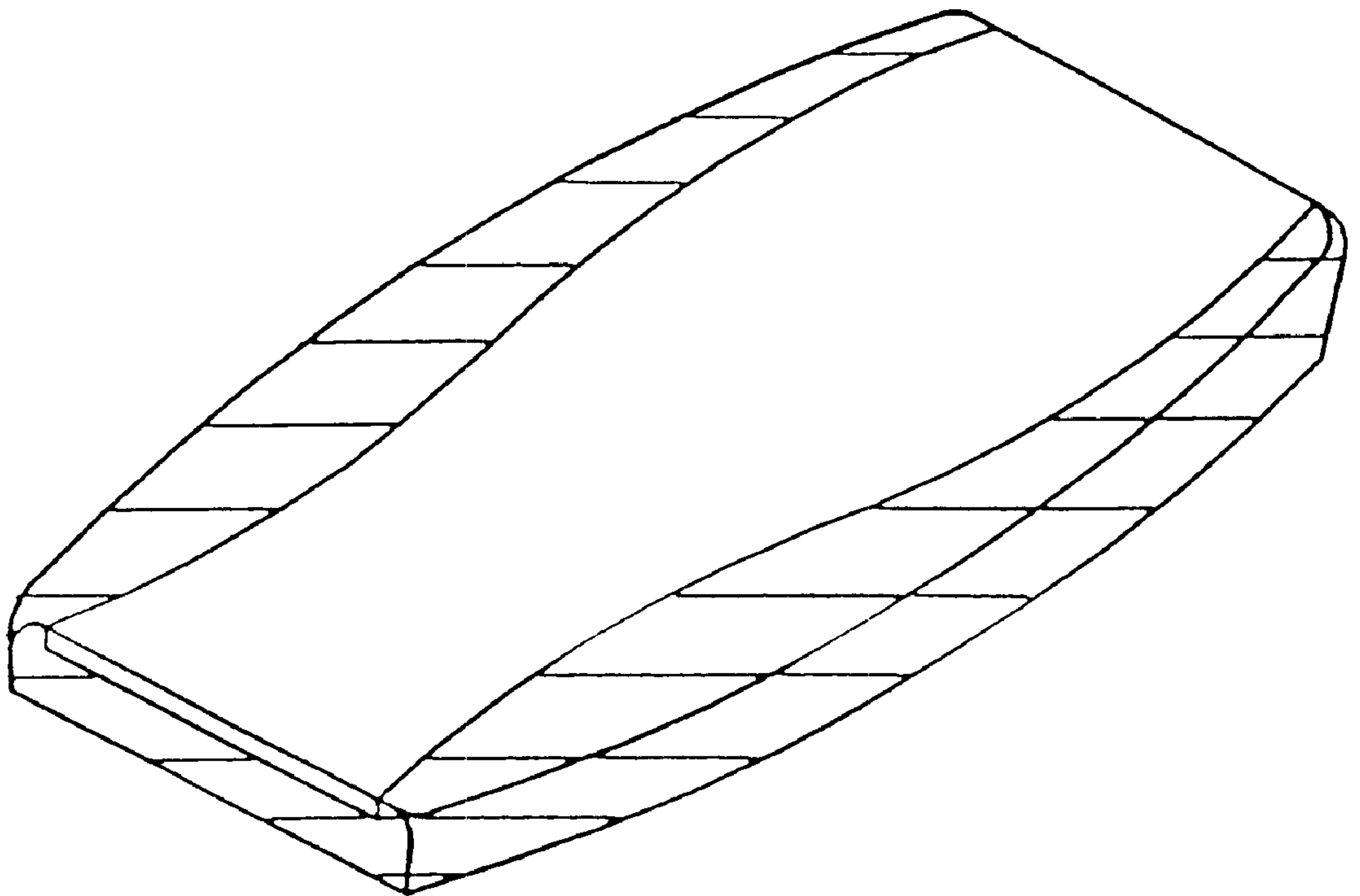


FIG. 2

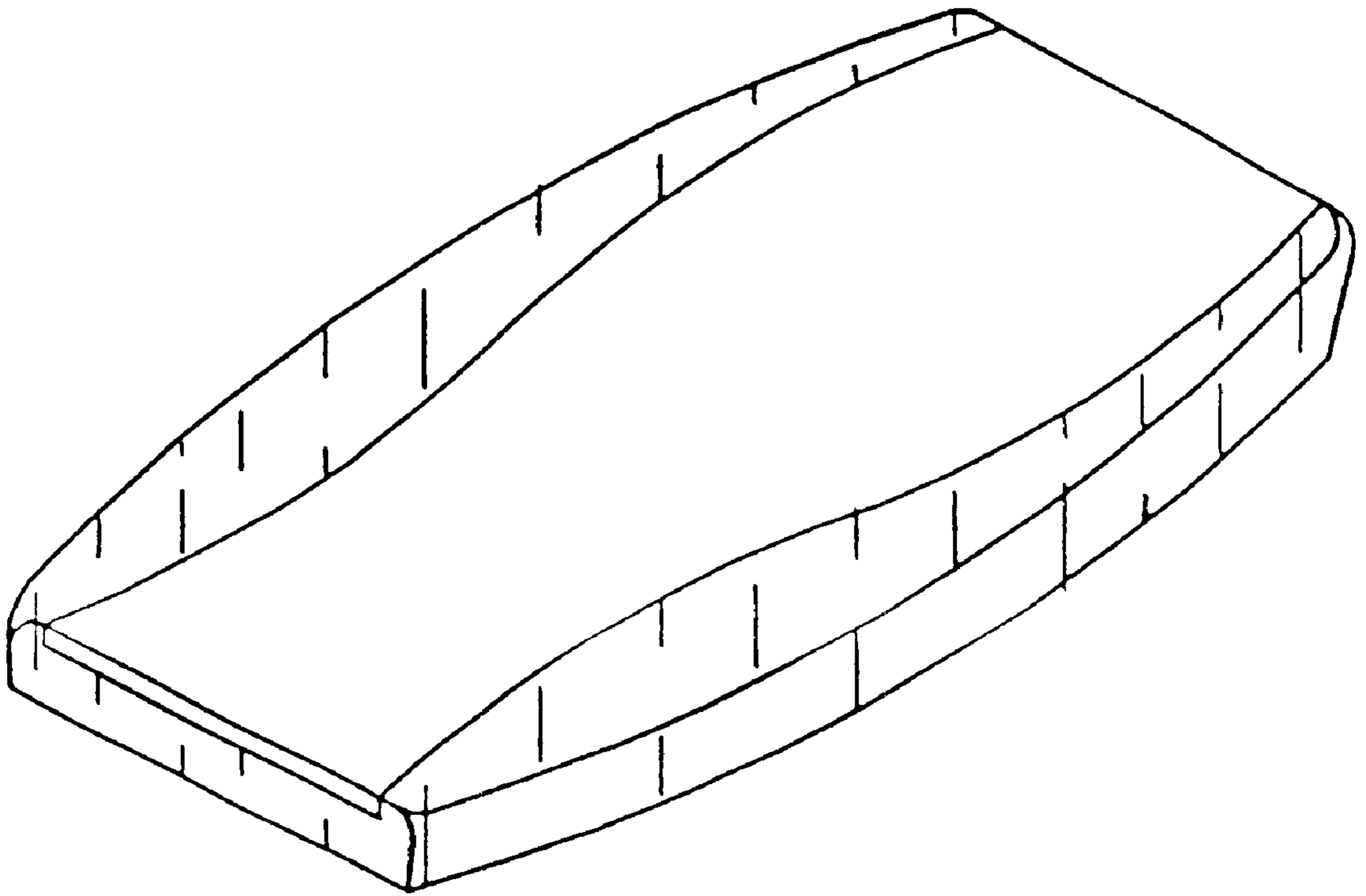


FIG. 3

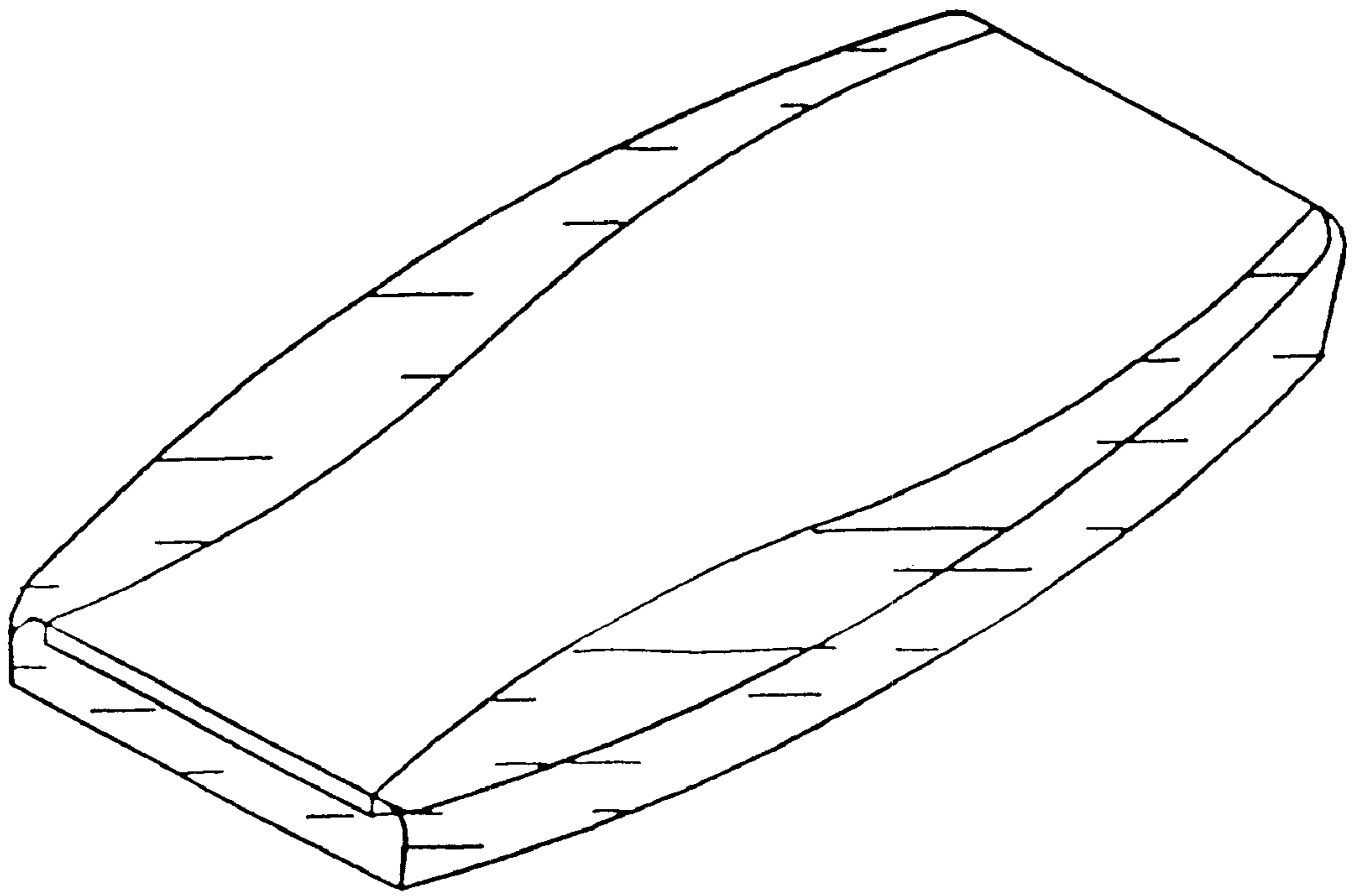


FIG. 4

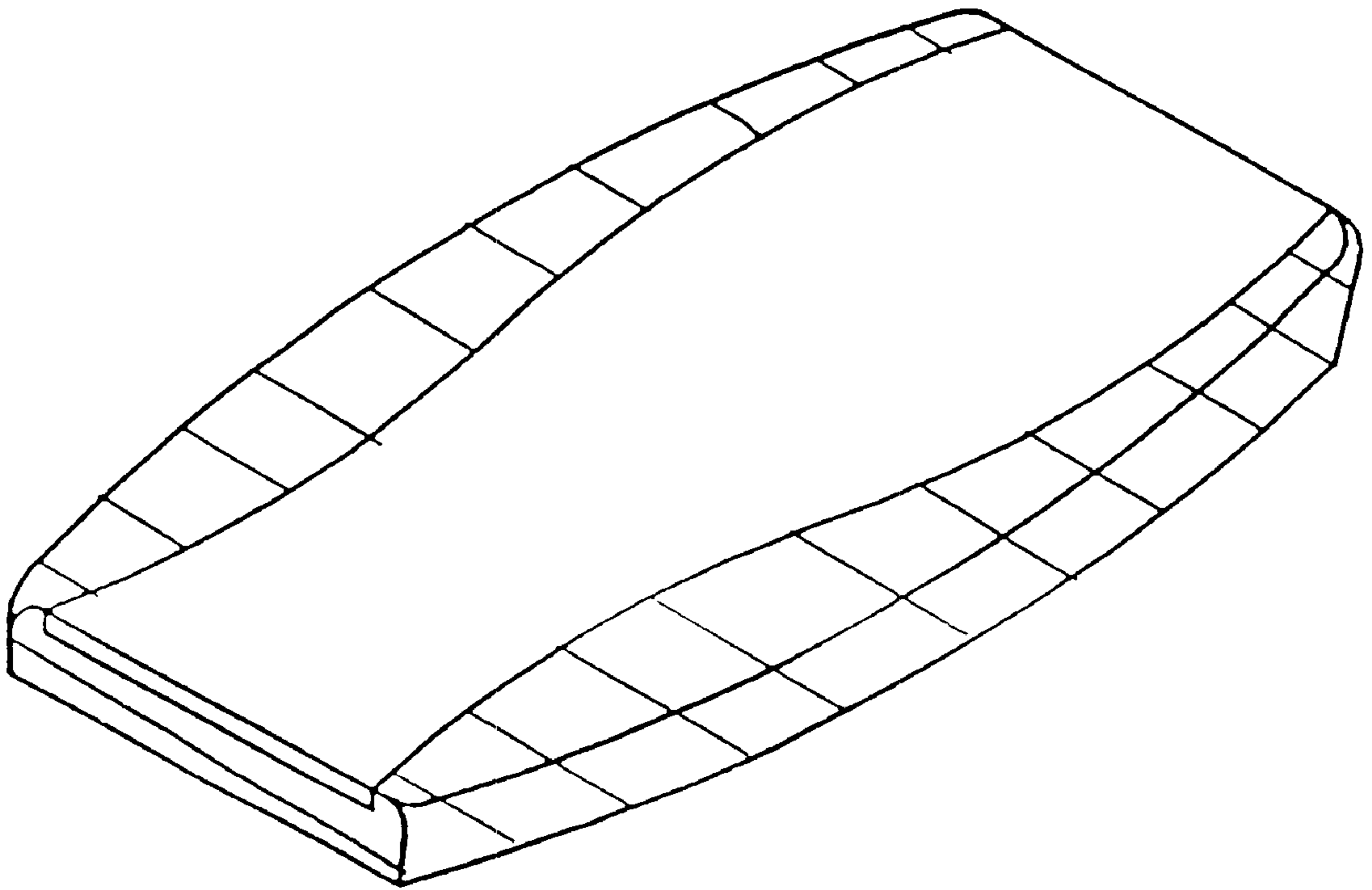


FIG. 5

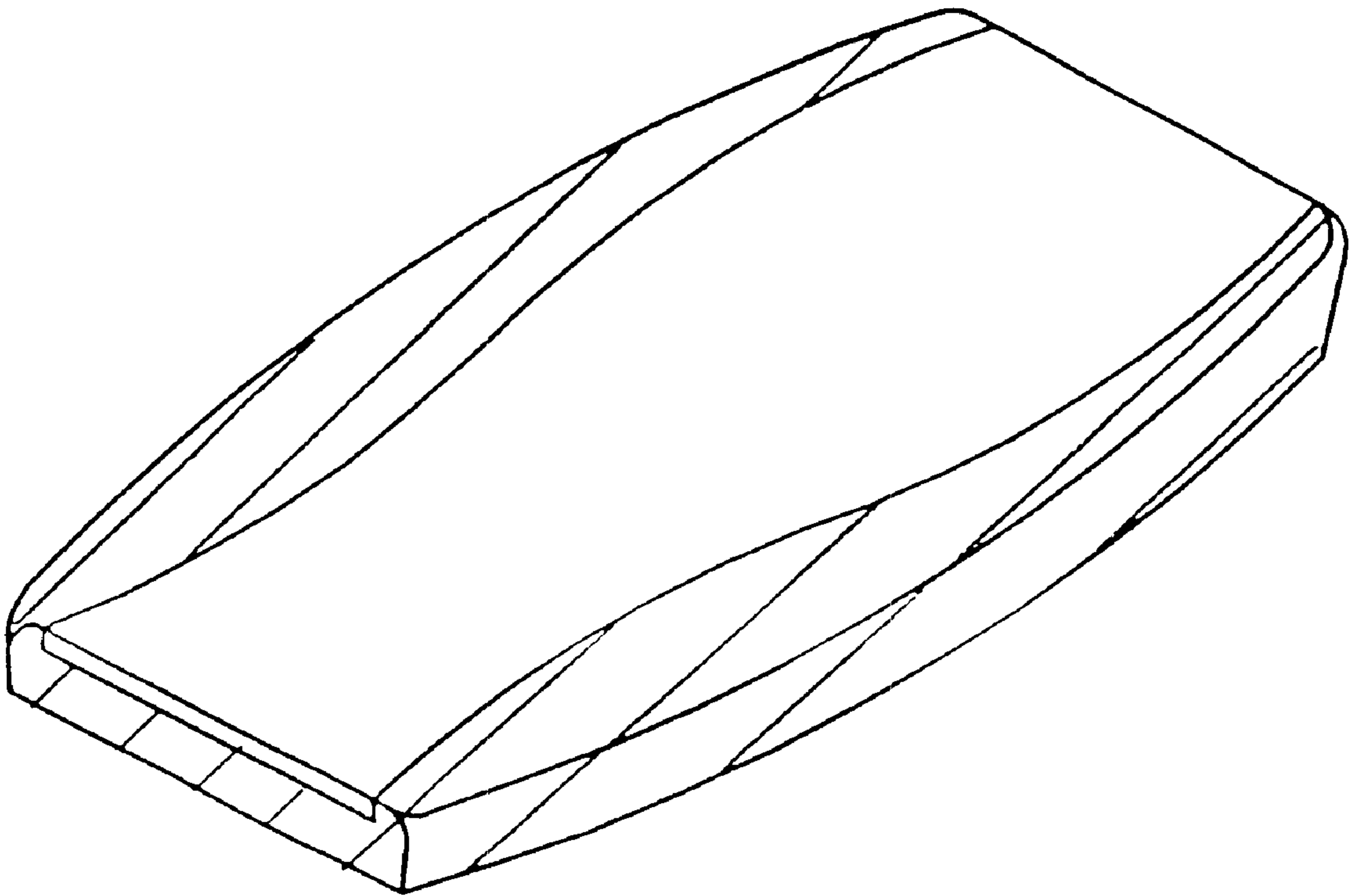


FIG. 6



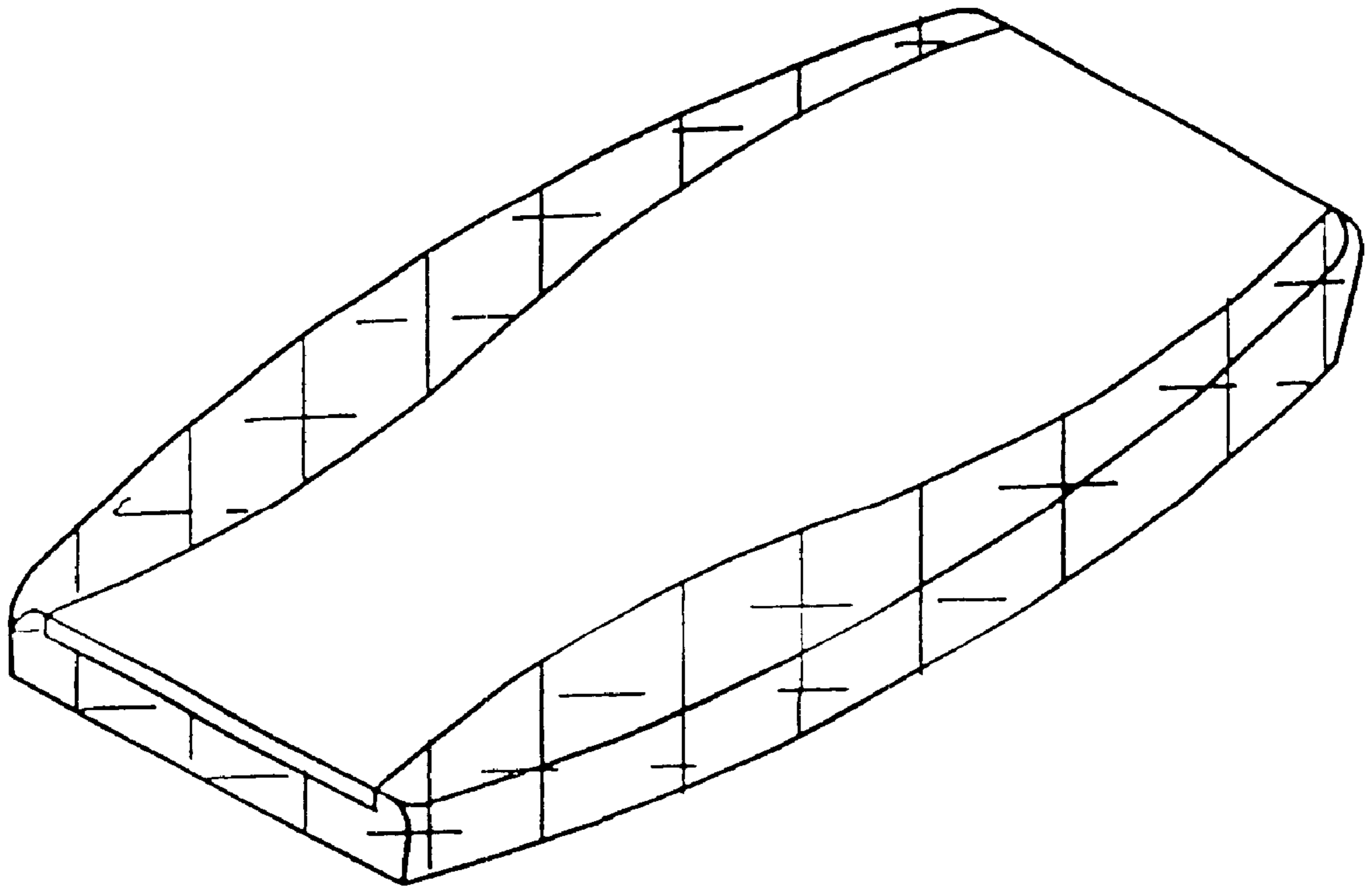


FIG. 7

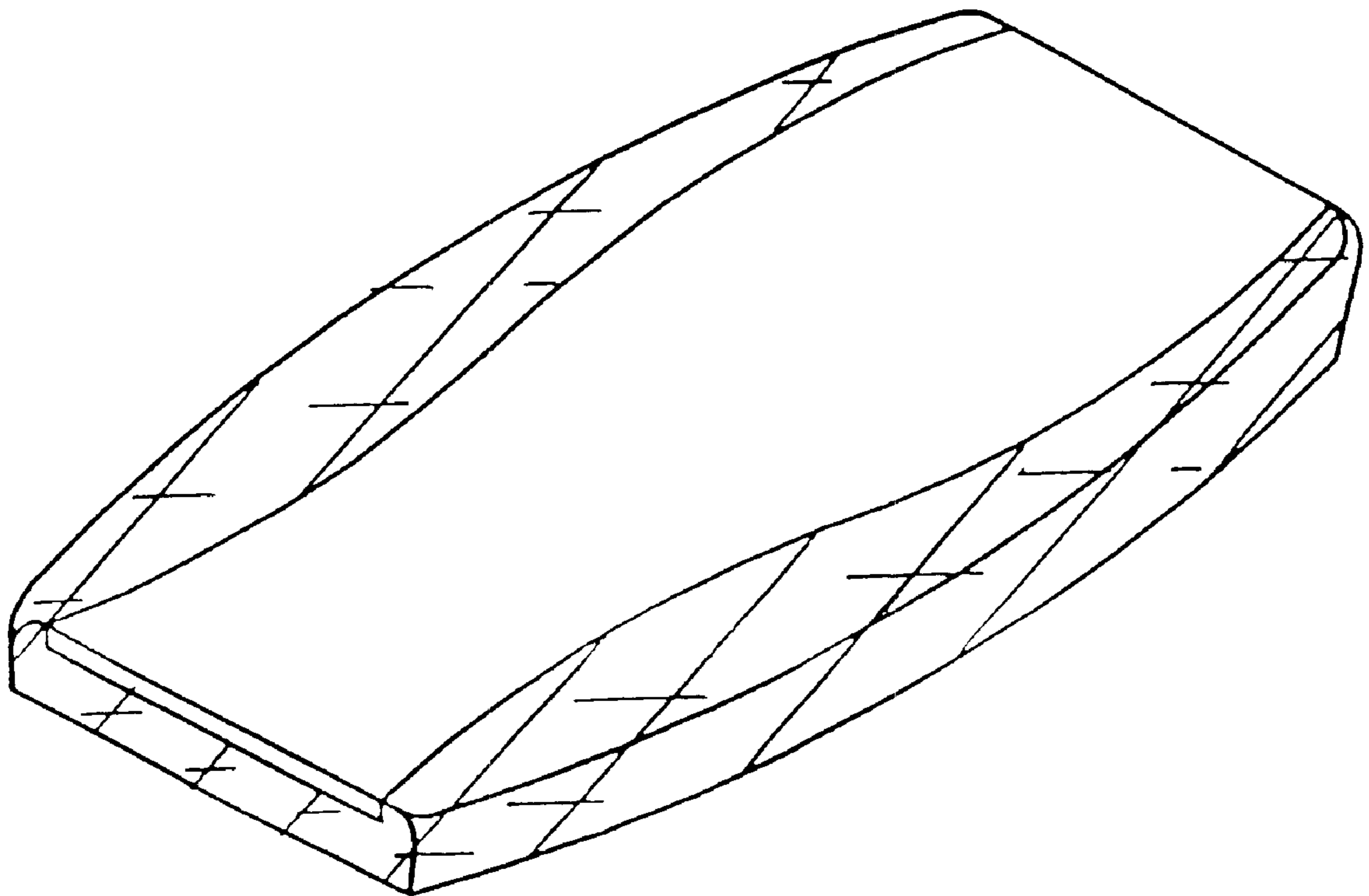


FIG. 8

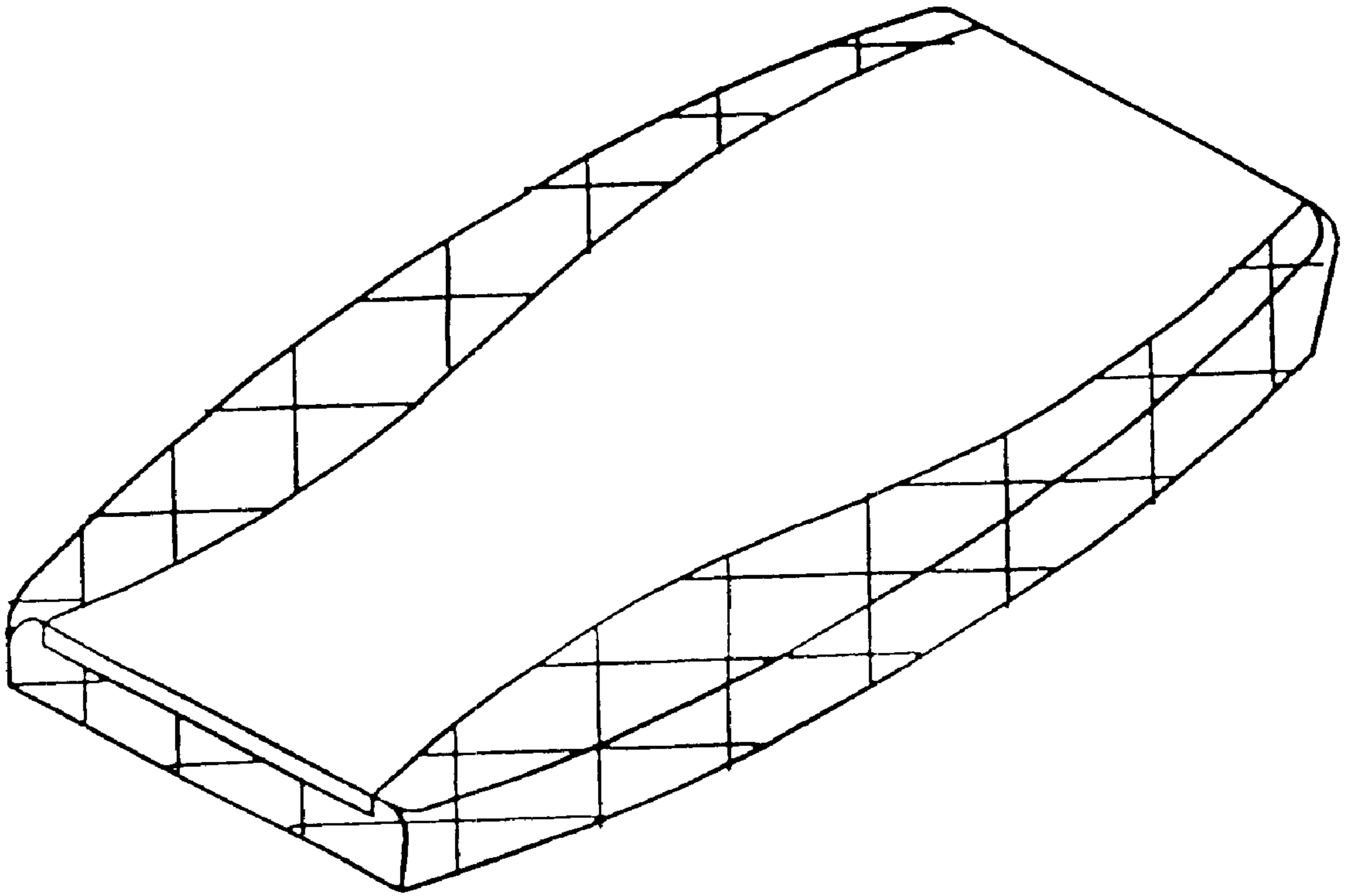


FIG. 9

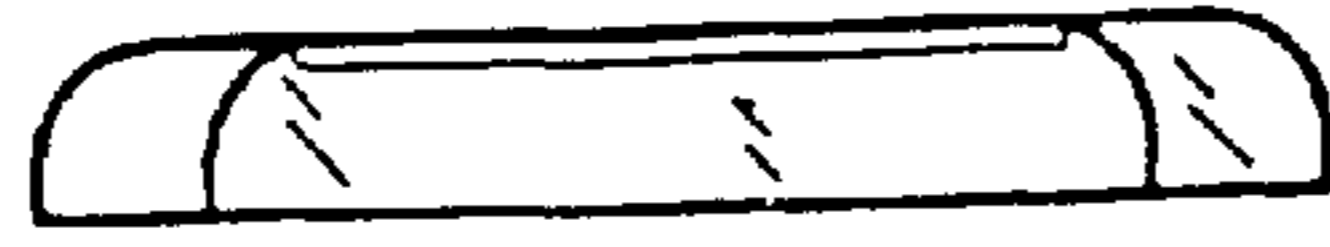


FIG. 13

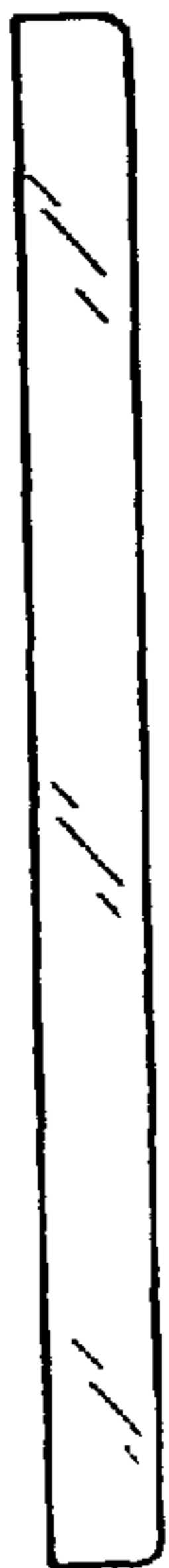


FIG. 11

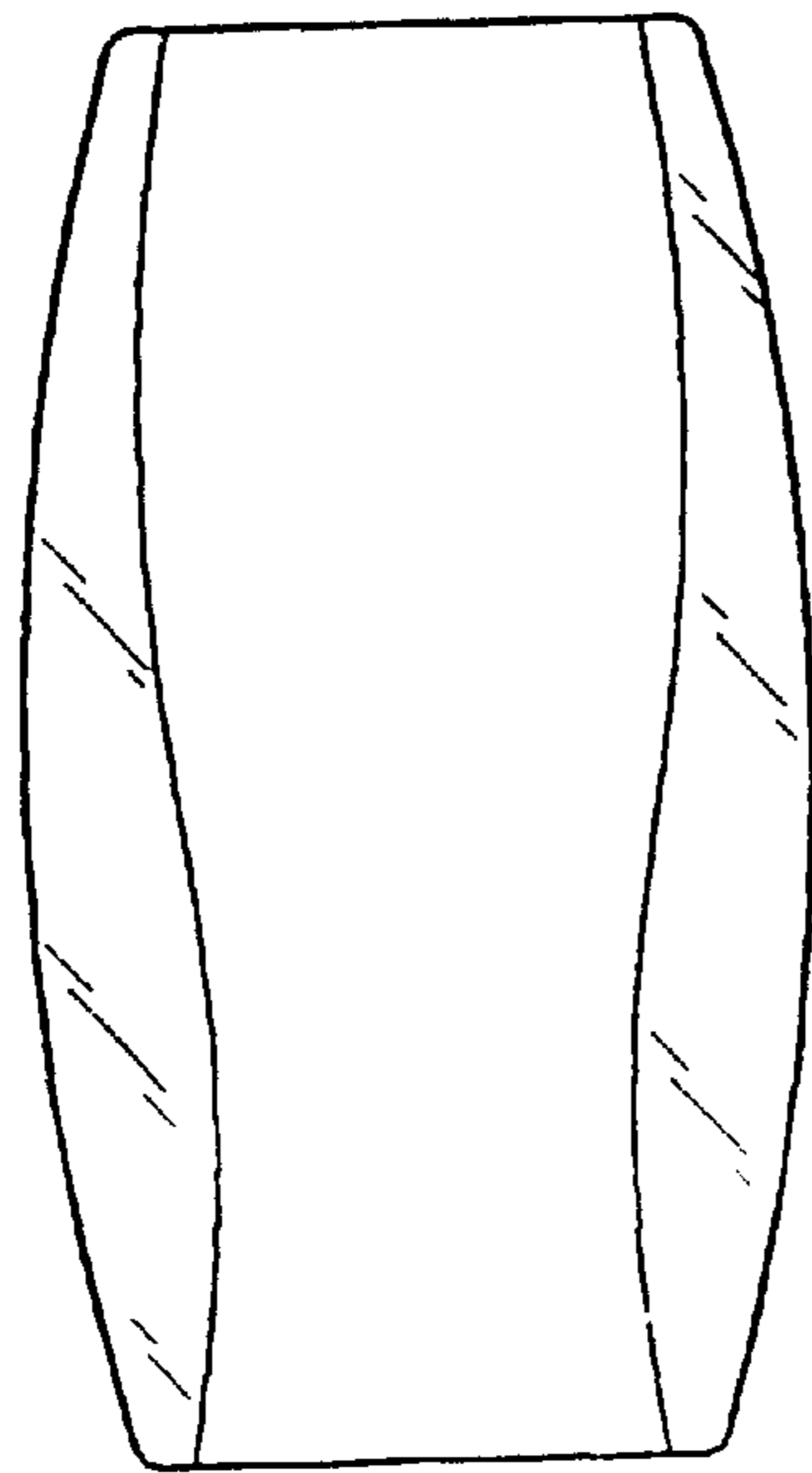


FIG. 10



FIG. 12

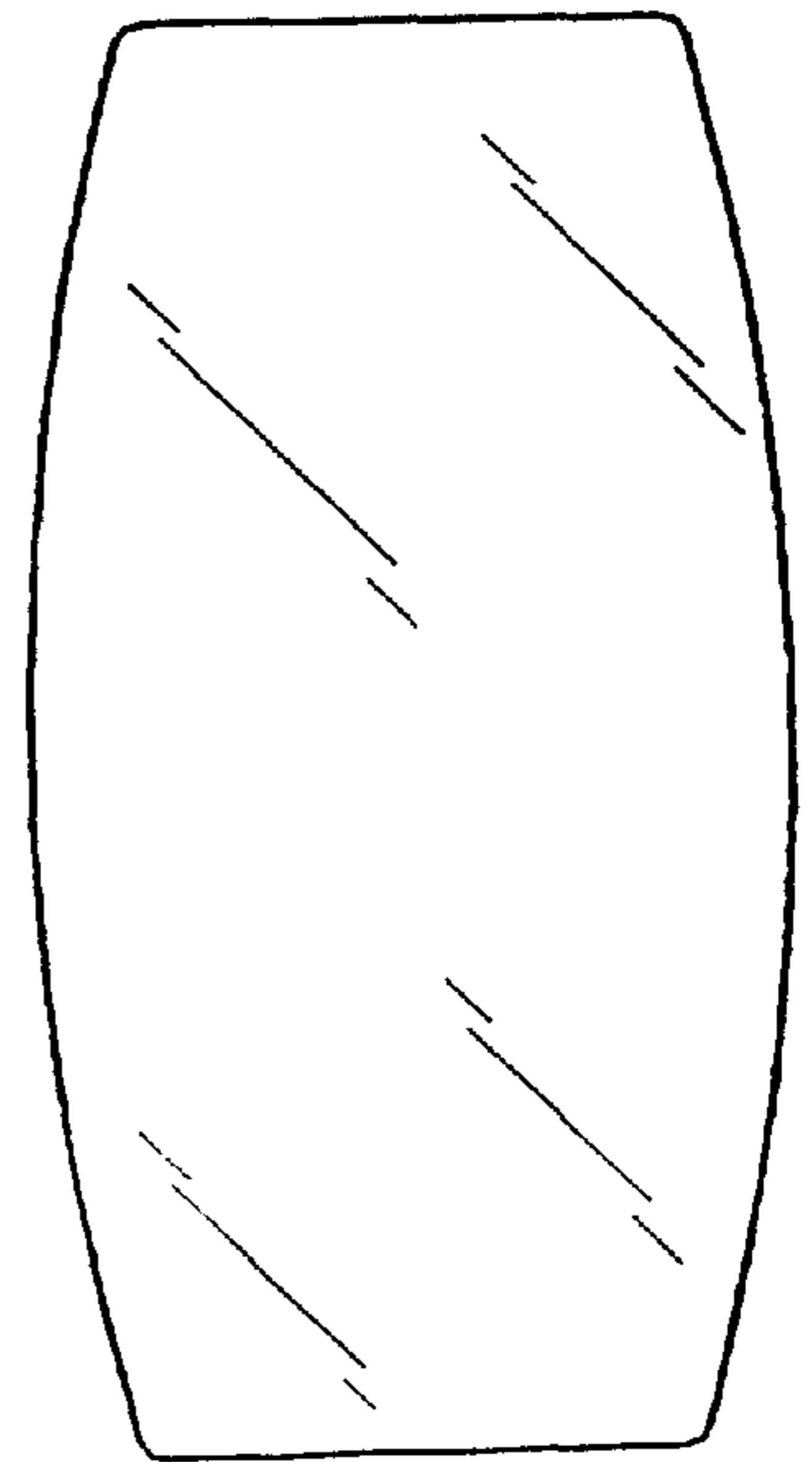


FIG. 15

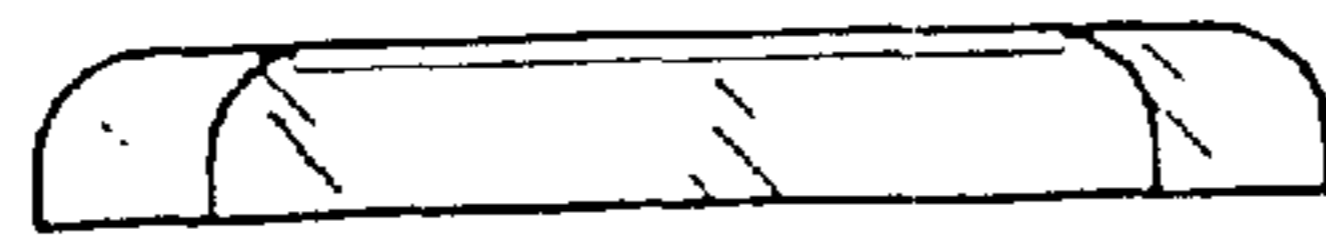


FIG. 14

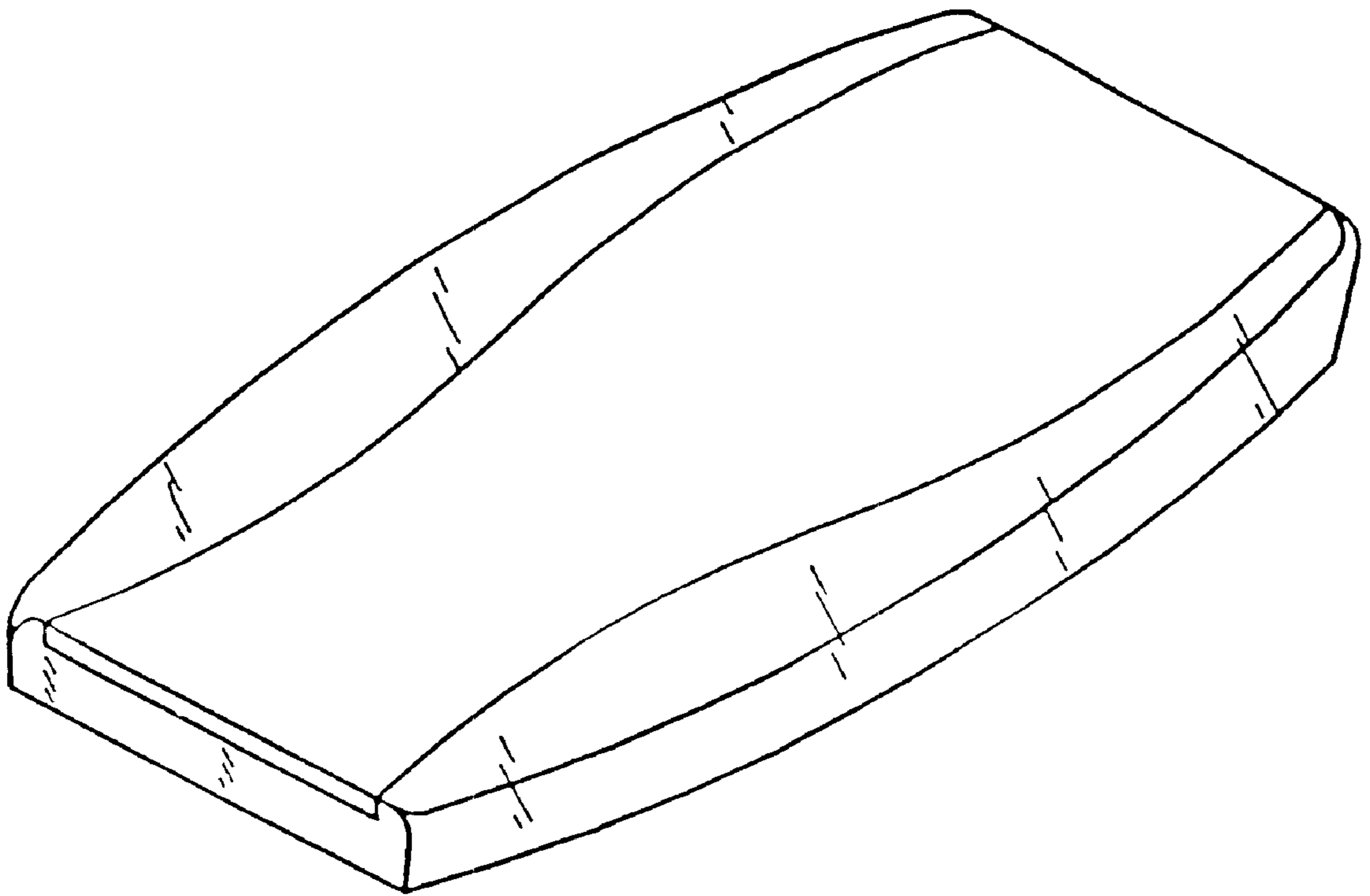


FIG. 16

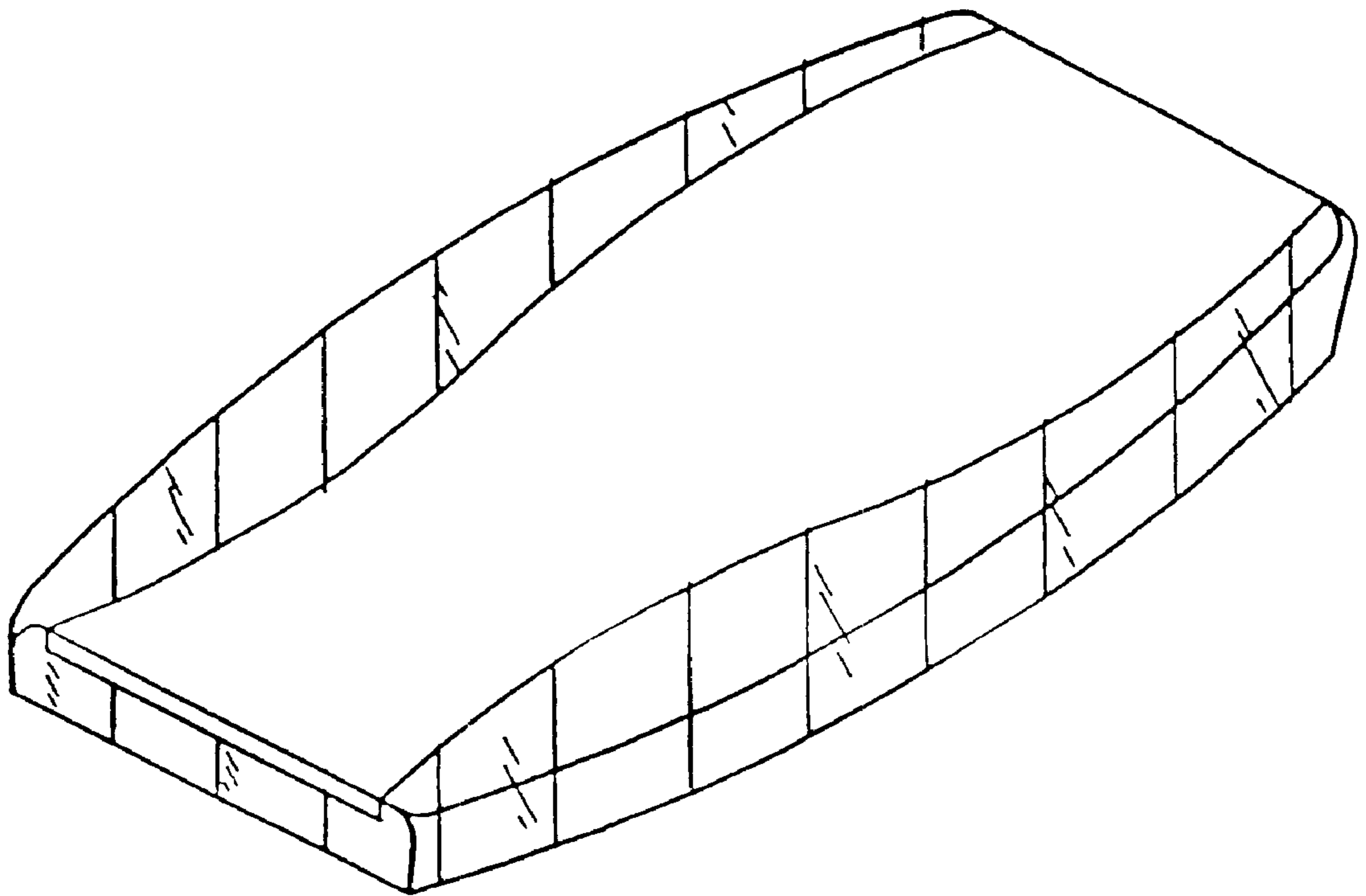


FIG. 17

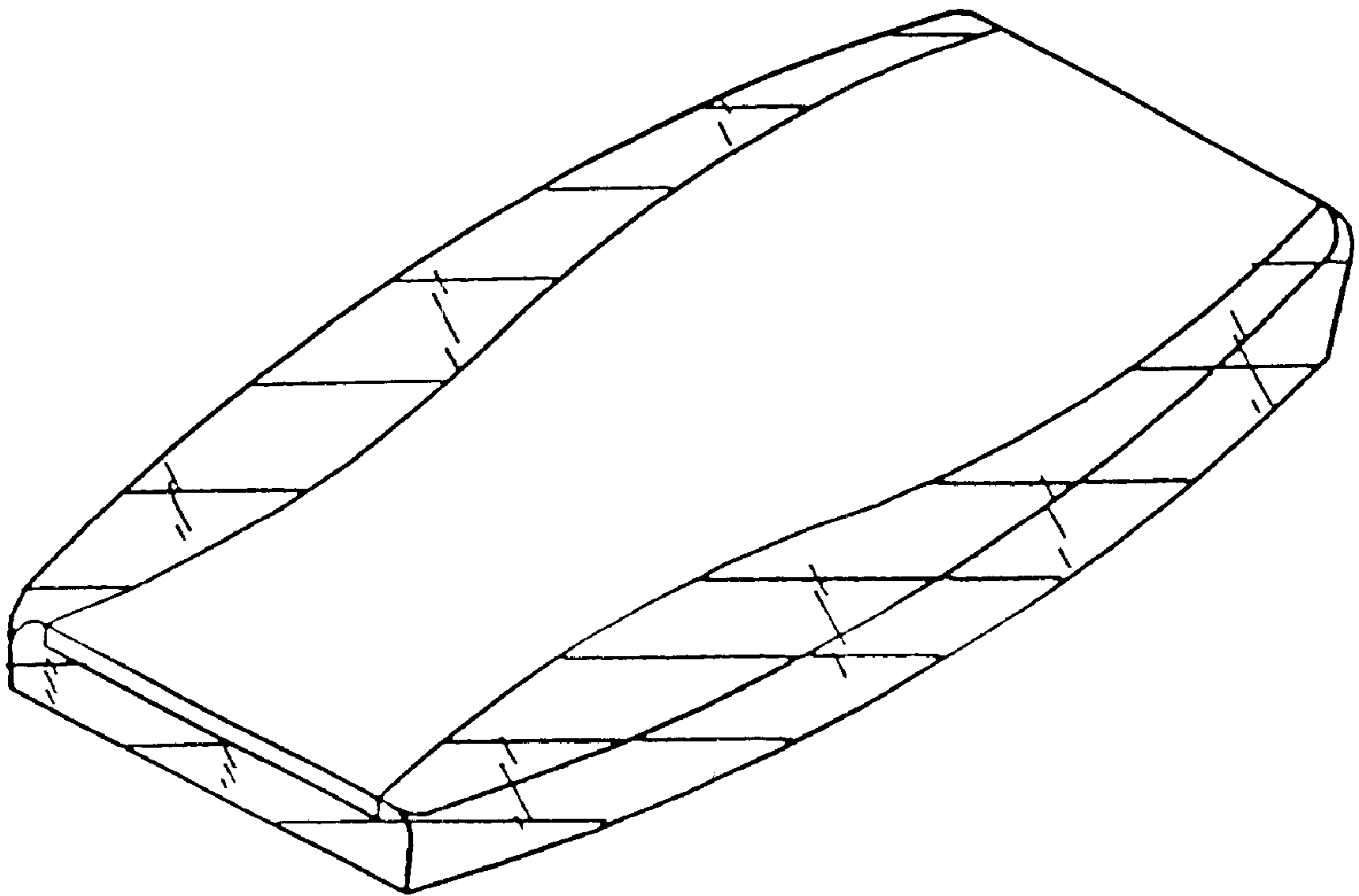


FIG. 18

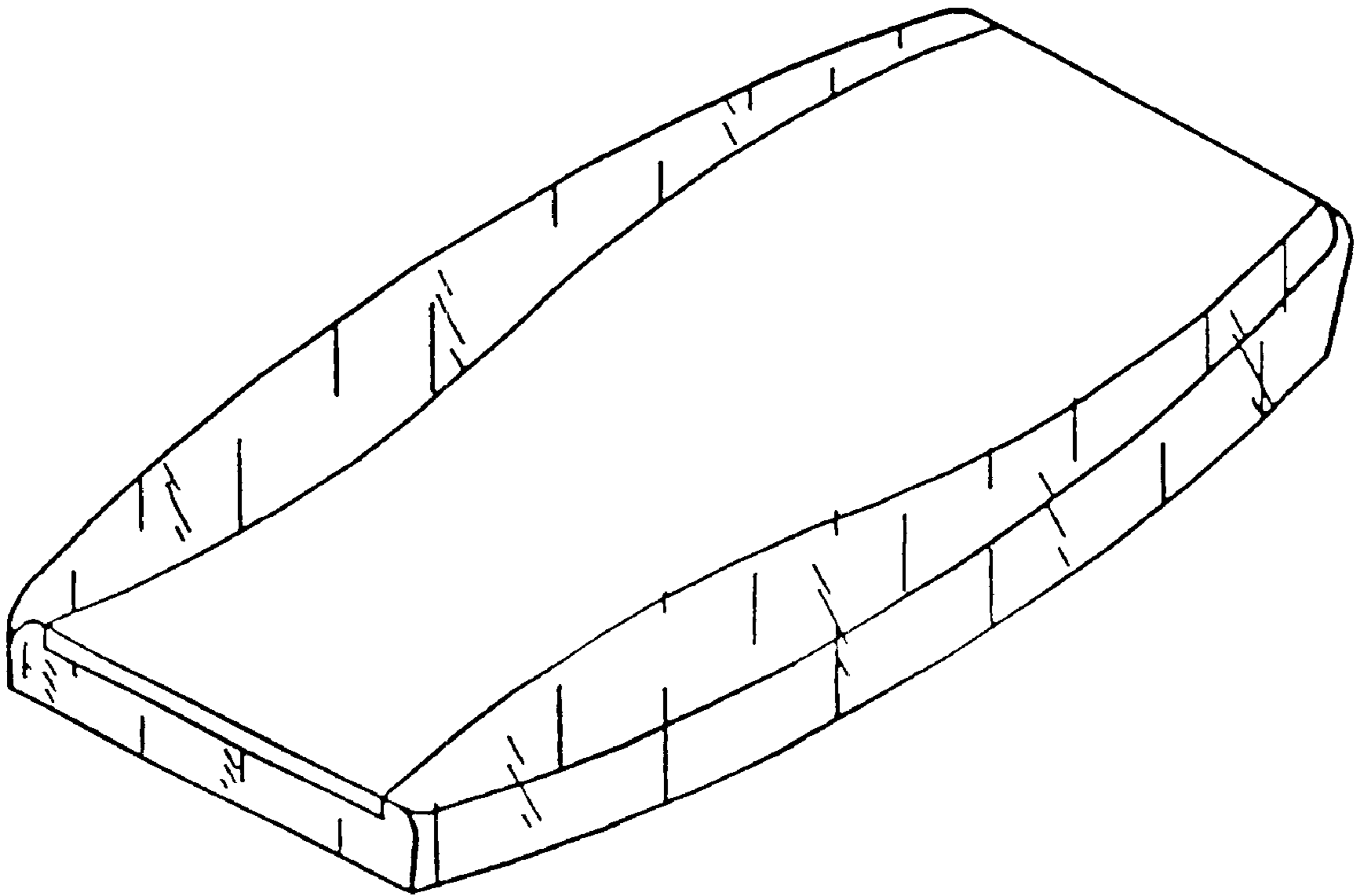


FIG. 19



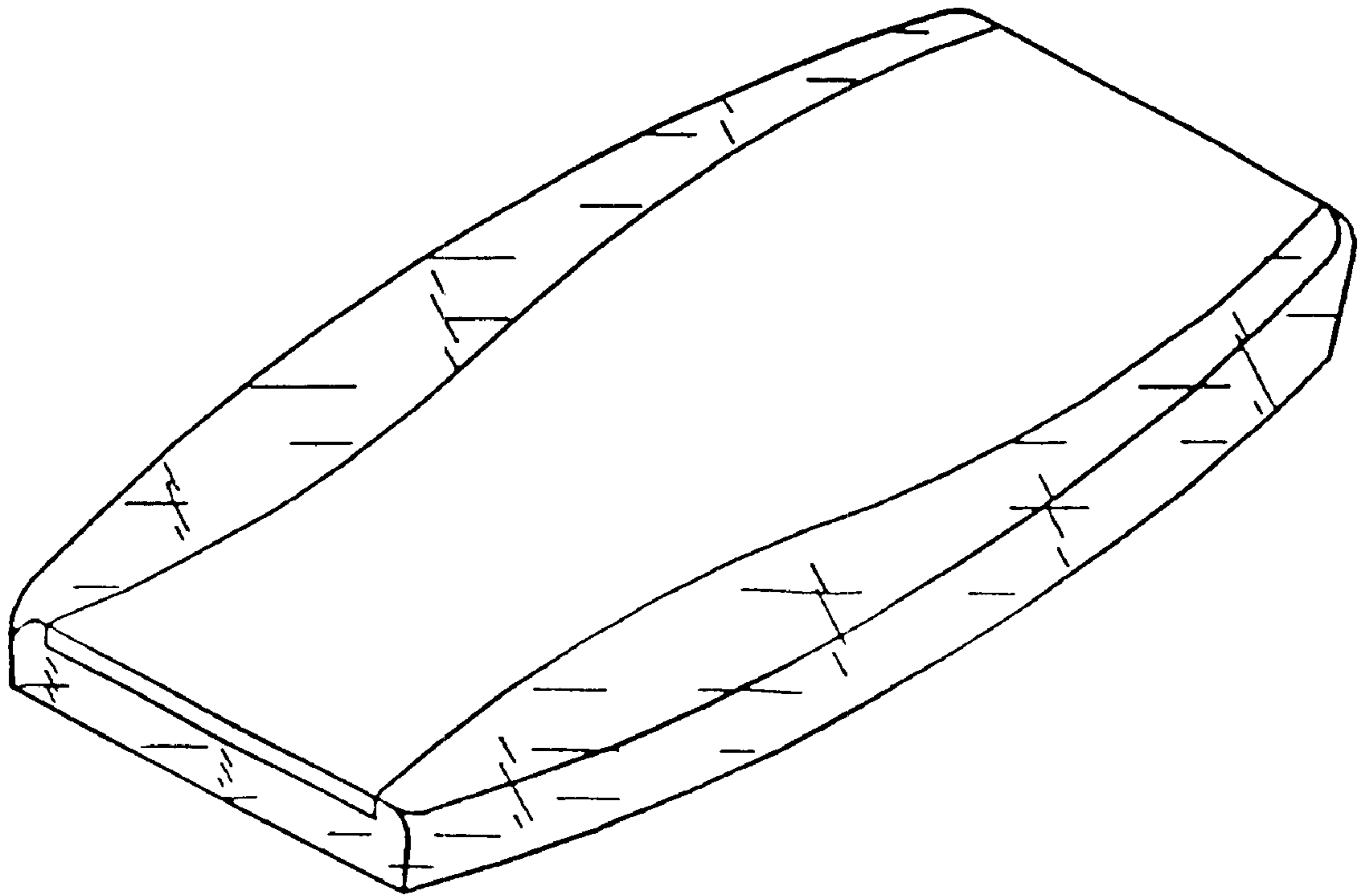


FIG. 20

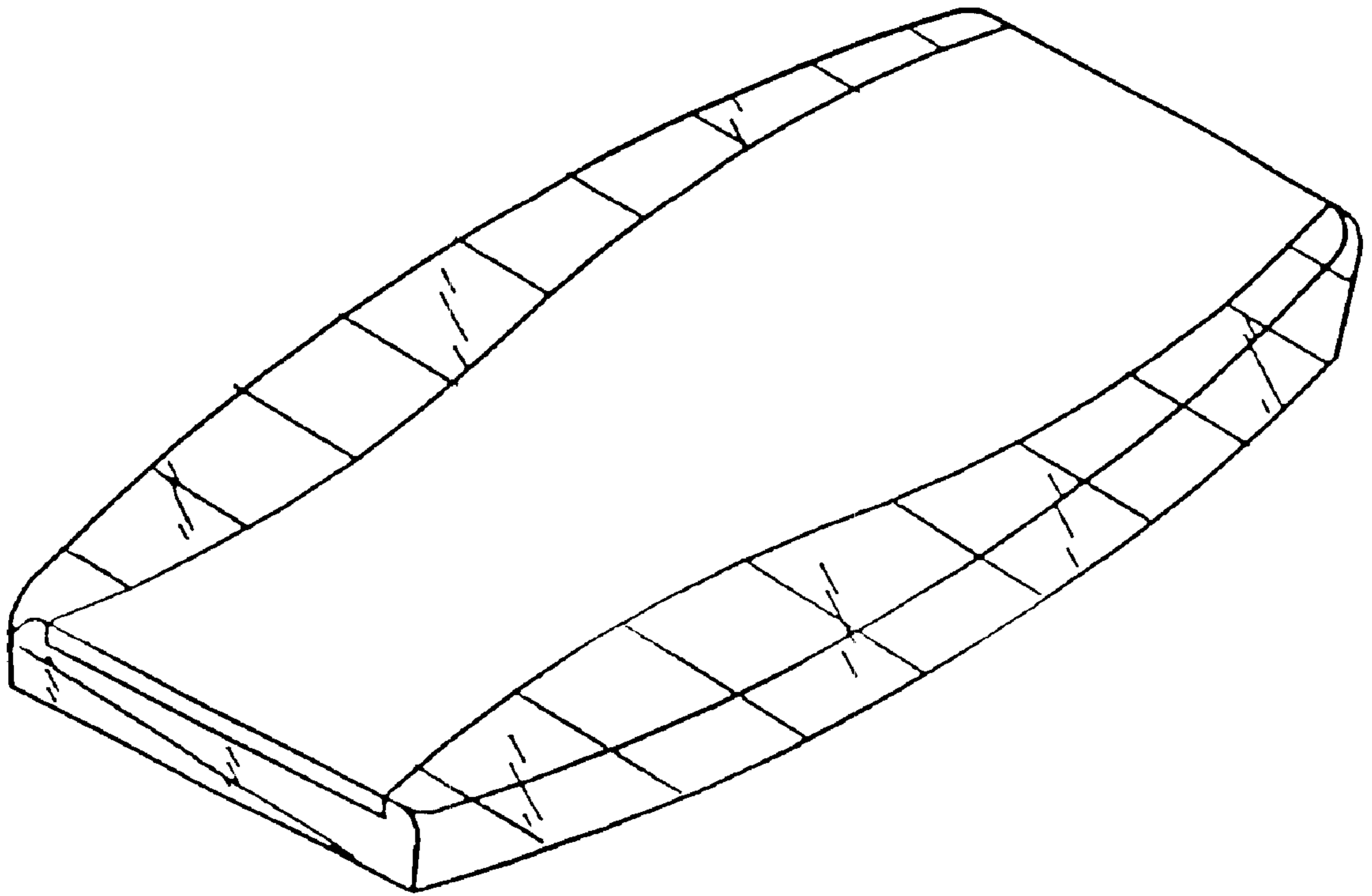


FIG. 21

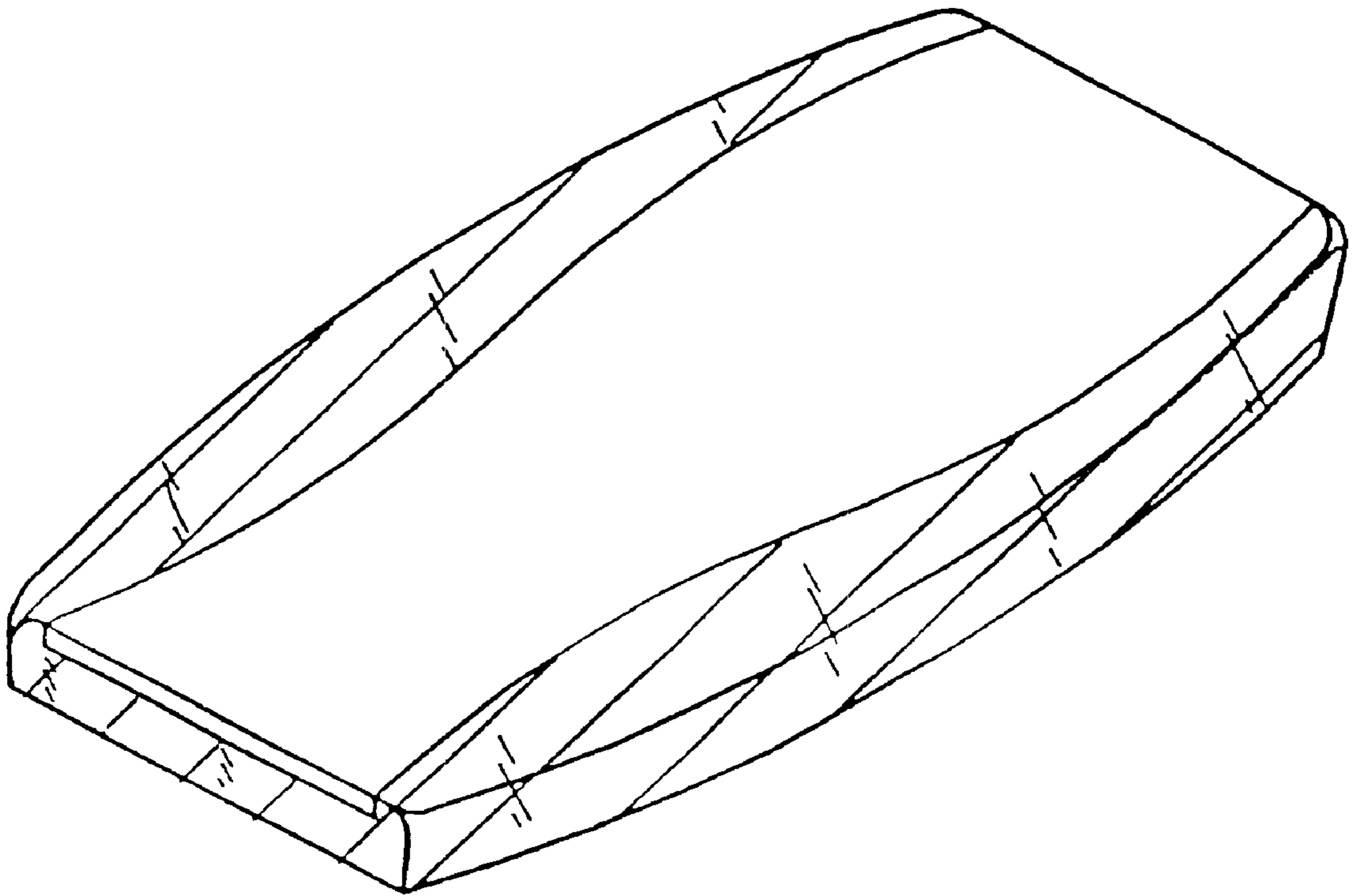


FIG. 22

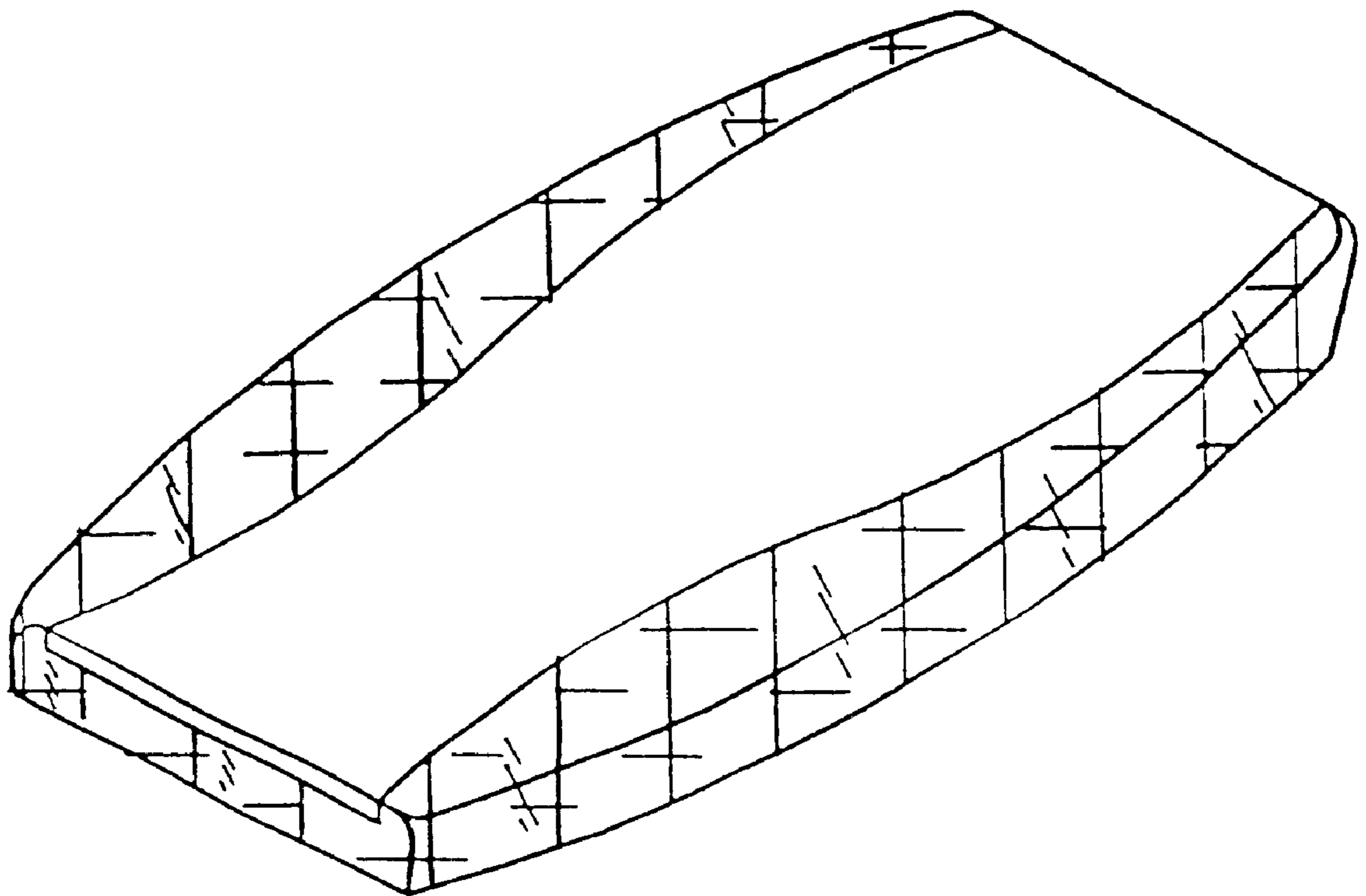


FIG. 23

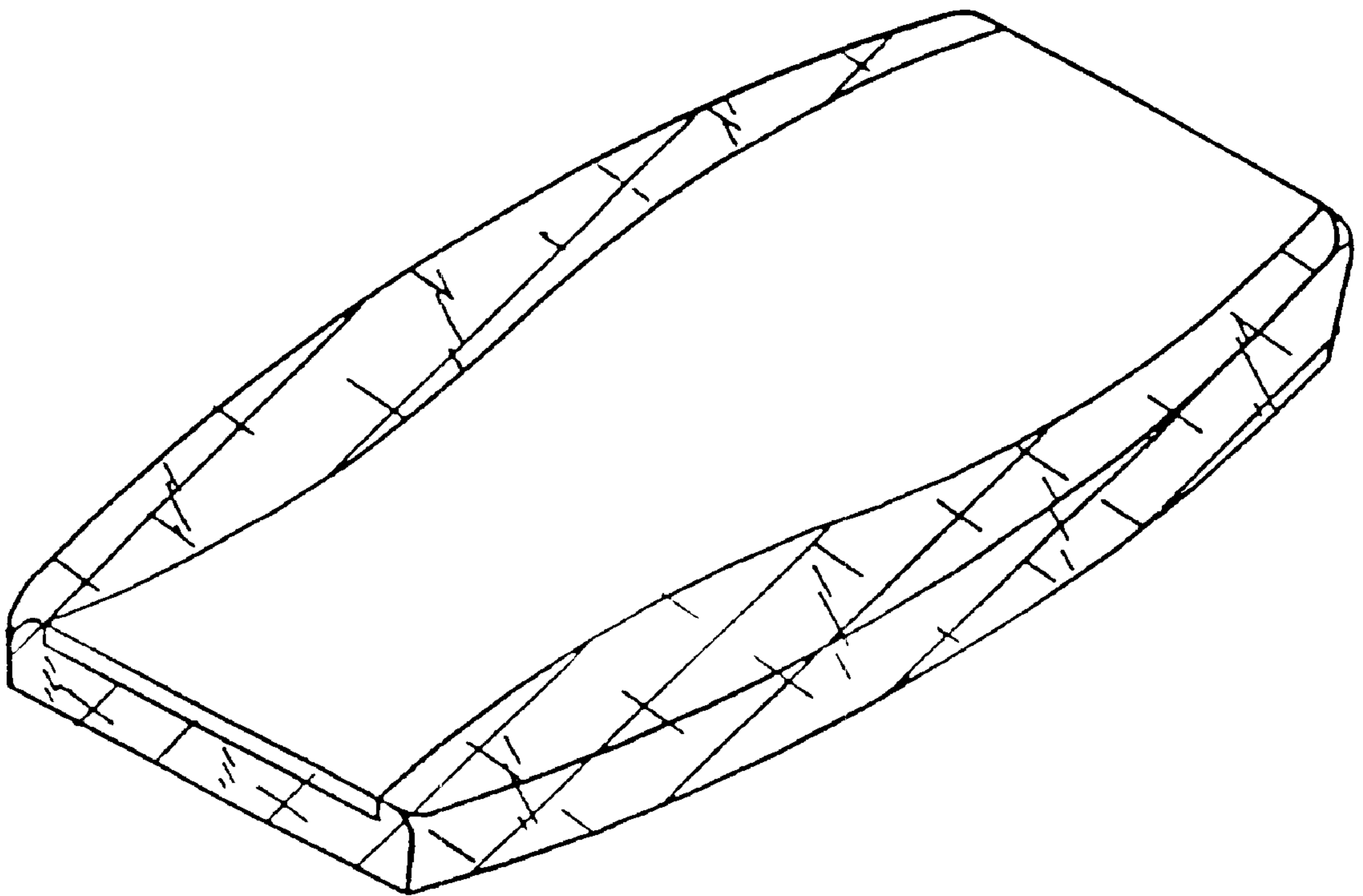


FIG. 24

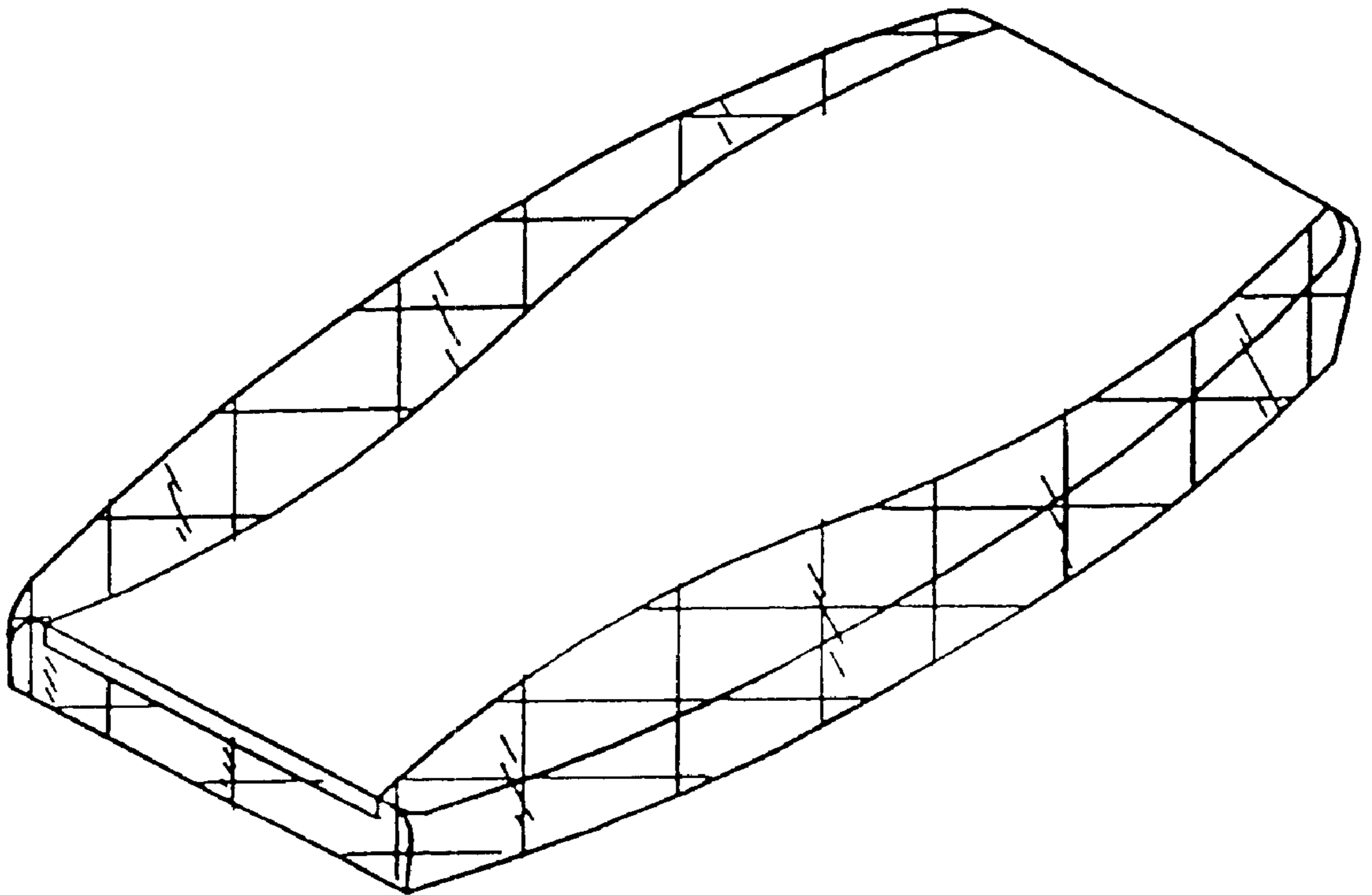


FIG. 25