



US00D464134S

(12) **United States Design Patent**
Werblud

(10) **Patent No.:** **US D464,134 S**

(45) **Date of Patent:** **** Oct. 8, 2002**

(54) **OTOSCOPE HANDLE**

D422,359 S * 4/2000 Fitch et al. D24/137
6,130,520 A * 10/2000 Wawro et al. 320/114

(76) Inventor: **Marc S. Werblud**, 5701 S. Upland Rd.,
Seattle, WA (US) 98118

* cited by examiner

(**) Term: **14 Years**

Primary Examiner—Ian Simmons

(74) *Attorney, Agent, or Firm*—Robert W. Jenny

(21) Appl. No.: **29/145,923**

(57) **CLAIM**

(22) Filed: **Jul. 31, 2001**

The ornamental design for an otoscope handle, as shown and described.

(51) **LOC (7) Cl.** **24-02**

(52) **U.S. Cl.** **D24/137**

(58) **Field of Search** D24/137, 133;
600/200, 199, 197; 362/183, 294, 572;
320/114, 111

DESCRIPTION

FIG. 1 is a side view of an otoscope handle, showing my new design, the opposite side view being a mirror image thereto; FIG. 2 is a top view thereof, the bottom view being a mirror image thereto; FIG. 3 is an end view thereof; and, FIG. 4 is an end view thereof, opposite that shown in FIG. 3.

The surfaces or portions of the article not shown in the drawings or described in the specification form no part of the claimed design.

(56) **References Cited**

U.S. PATENT DOCUMENTS

D132,703 S	*	6/1942	Peck et al.	D24/137
D225,584 S	*	12/1972	Pilgrim	D24/137
D288,960 S	*	3/1987	Riester	D24/137
5,177,424 A	*	1/1993	Connors	320/114
5,542,904 A	*	8/1996	Heine et al.	600/200
5,733,029 A	*	3/1998	Monroe	600/200
5,885,214 A	*	3/1999	Monroe et al.	600/200

1 Claim, 2 Drawing Sheets

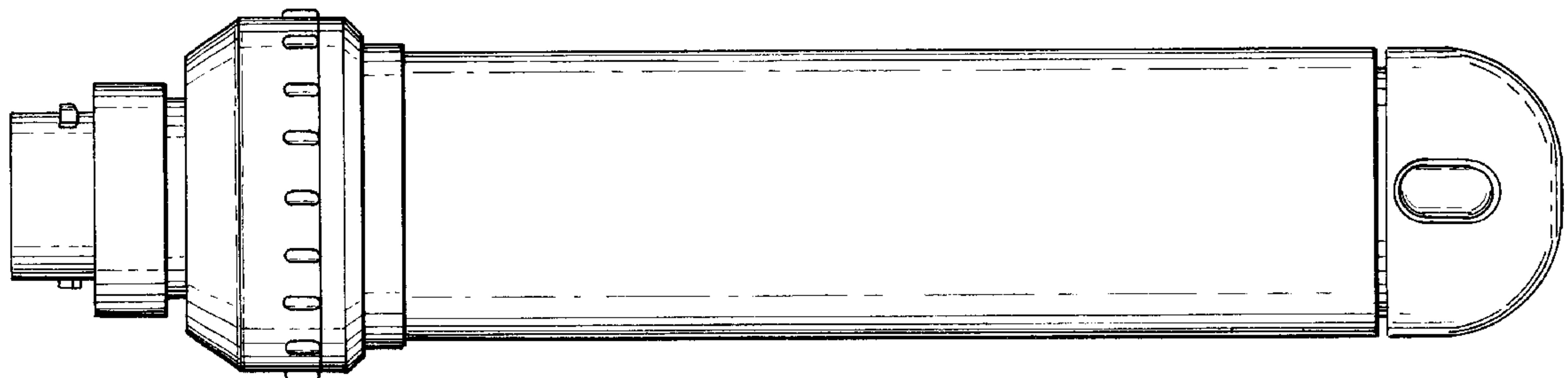


FIG. 1

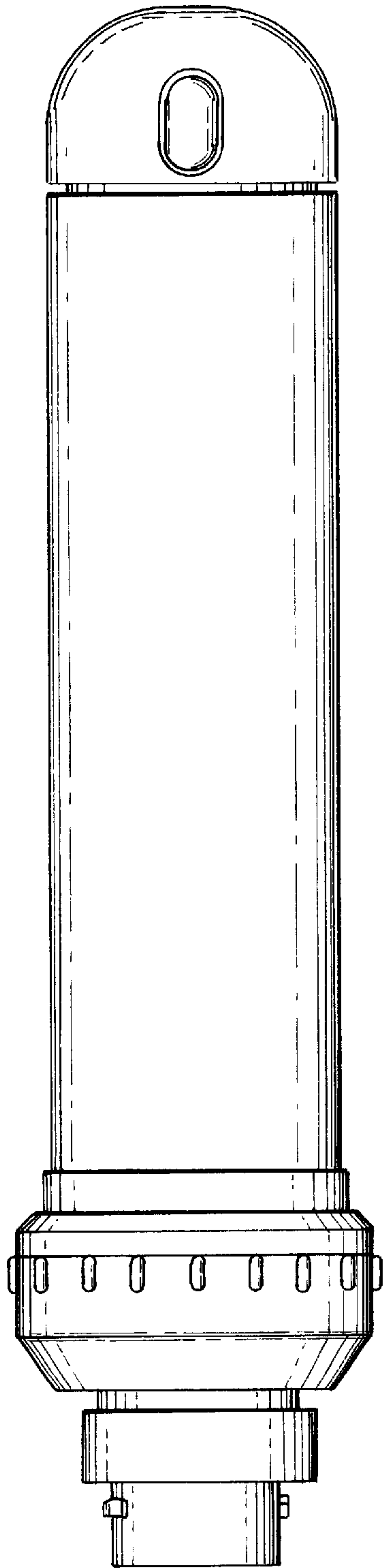
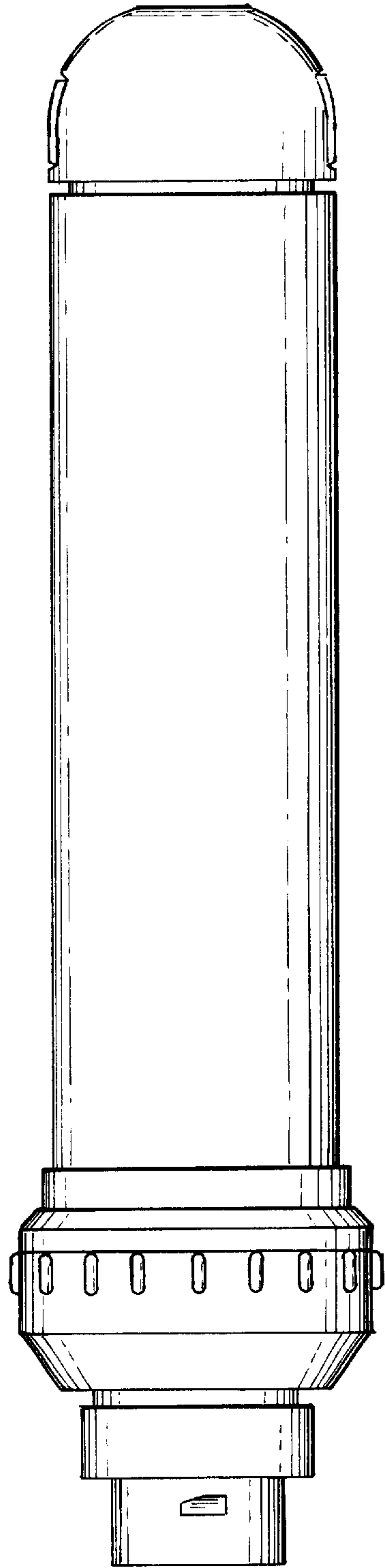


FIG. 2



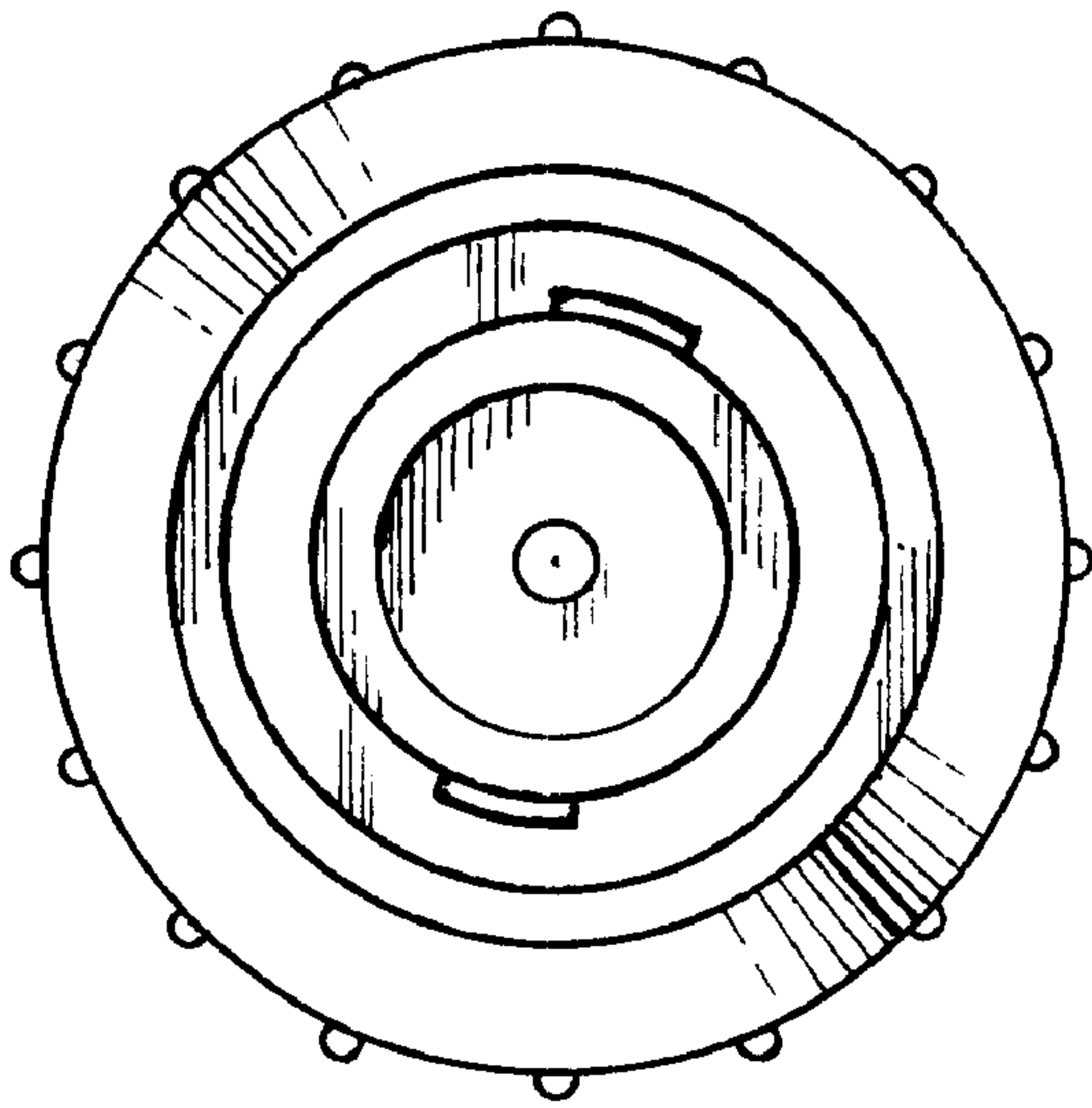


FIG. 3

FIG. 4

