



US00D464133S

(12) **United States Design Patent**
Barnett et al.

(10) **Patent No.: US D464,133 S**

(45) **Date of Patent: ** Oct. 8, 2002**

(54) **NASAL MASK**

4,944,310 A 7/1990 Sullivan
D333,015 S 2/1993 Farmer et al.

(75) Inventors: **Shari S. Barnett**, Cardiff, CA (US);
Joseph M. Miceli, Pittsburgh, PA (US);
Peter Chi Fai Ho, Pittsburgh, PA (US);
Kristine K. Sabo, New Kensington, PA (US)

(List continued on next page.)

Primary Examiner—Ian Simmons
(74) *Attorney, Agent, or Firm*—Michael W. Haas

(73) Assignee: **Respironics, Inc.**, Murrysville, PA (US)

(**) Term: **14 Years**

(57) **CLAIM**

The ornamental design for a nasal mask, as shown and described.

(21) Appl. No.: **29/156,161**

(22) Filed: **Feb. 25, 2002**

DESCRIPTION

Related U.S. Application Data

(60) Division of application No. 29/142,449, filed on May 25, 2001, which is a continuation-in-part of application No. 29/109,078, filed on Aug. 10, 1999, now Pat. No. Des. 448,473.

(51) **LOC (7) Cl.** **29-02**

(52) **U.S. Cl.** **D24/110.1; D24/110.4**

(58) **Field of Search** D24/110.1, 110.4,
D24/110, 110.5; 128/206.26, 203.29, 206.18,
206.19, 206.21, 207.13, 207.11, 207.17,
205.13, 205.25, 205.12

FIG. 1 is a perspective view of a nasal mask showing our new design.

FIG. 2 is an additional perspective view of the nasal mask showing our new design.

FIG. 3 is a front view of the nasal mask shown in FIG. 1.

FIG. 4 is a side view of the nasal mask shown in FIG. 1 the opposite side view being similar thereto.

FIG. 5 is a rear side view of the nasal mask shown in FIG. 1.

FIG. 6 is a top side view of the nasal mask shown in FIG. 1.

FIG. 7 is a bottom side view of the nasal mask shown in FIG. 1.

FIG. 8 perspective view of the nasal mask showing our new design.

FIG. 9 is an additional perspective view of the nasal mask showing our new design.

FIG. 10 is a front side view of the nasal mask shown in FIG. 8.

FIG. 11 is a side view of the nasal mask shown in FIG. 8 the opposite side view being similar thereto.

FIG. 12 is a rear side view of the nasal mask shown in FIG. 8.

FIG. 13 is a top side view of the nasal mask shown in FIG. 8; and,

FIG. 14 is a bottom side view of the nasal mask shown in FIG. 8.

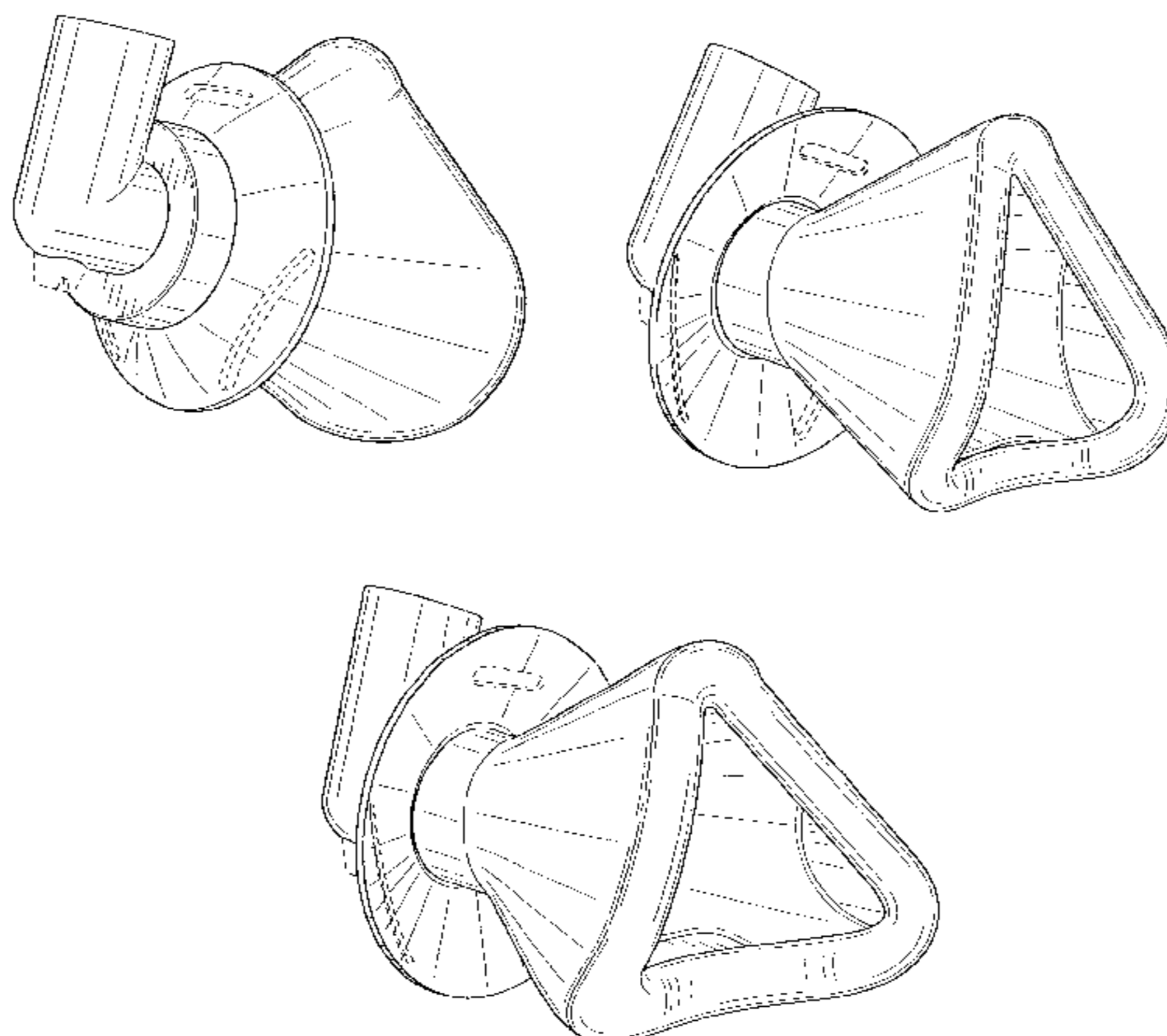
The broken line showing is for illustrative purposes only and forms no part of the claimed design.

(56) **References Cited**

U.S. PATENT DOCUMENTS

2,011,733 A	8/1935	Shindel
2,104,016 A	1/1938	Biggs
2,254,854 A	9/1941	O'Connell
2,317,608 A	4/1943	Heidbrink
2,749,910 A	6/1956	Faulconer, Jr.
2,931,356 A	4/1960	Schwarz
2,939,458 A	6/1960	Lundquist
3,330,273 A	7/1967	Bennett
4,167,185 A	9/1979	Lewis
4,655,213 A	4/1987	Rapoport et al.
4,677,977 A	7/1987	Wilcox
4,739,755 A	4/1988	White et al.
4,807,617 A	2/1989	Nesti
4,907,584 A	3/1990	McGinnis

1 Claim, 8 Drawing Sheets



US D464,133 S

Page 2

U.S. PATENT DOCUMENTS

5,243,971 A	9/1993	Sullivan et al.	5,724,965 A	3/1998	Handke et al.
D349,586 S	8/1994	Handke	5,746,201 A	5/1998	Kidd
5,492,116 A	2/1996	Scarberry et al.	5,884,624 A *	3/1999	Barnett et al.
5,540,223 A *	7/1996	Starr et al.	D412,745 S	8/1999	Scheu
5,542,128 A	8/1996	Lomas	5,937,851 A	8/1999	Serowski et al.
5,560,354 A	10/1996	Berthon-Jones et al.	D431,077 S *	9/2000	McGinnis et al.
5,647,357 A	7/1997	Barnett et al.	6,112,745 A	9/2000	Lang
5,657,752 A	8/1997	Landis et al.	6,112,746 A	9/2000	Kwok et al.
5,662,101 A	9/1997	Ogden et al.	D434,141 S	11/2000	Randeberg et al.
5,676,133 A *	10/1997	Hickle et al.	6,182,660 B1 *	2/2001	Hopper 128/207.13
D389,238 S	1/1998	Kirk, III et al.	6,357,441 B1 *	3/2002	Kwok et al. 128/207.13

* cited by examiner

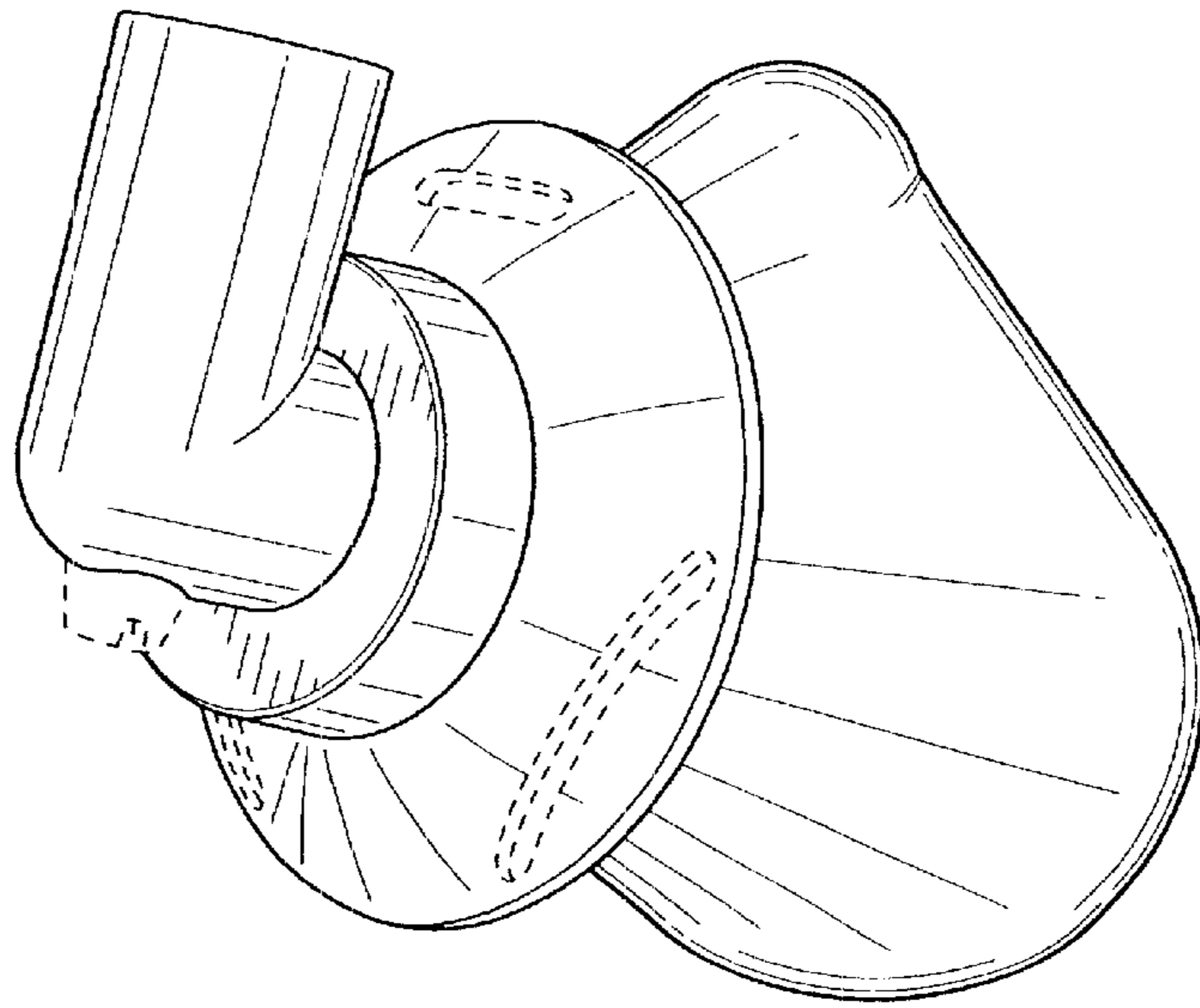


FIG. 1

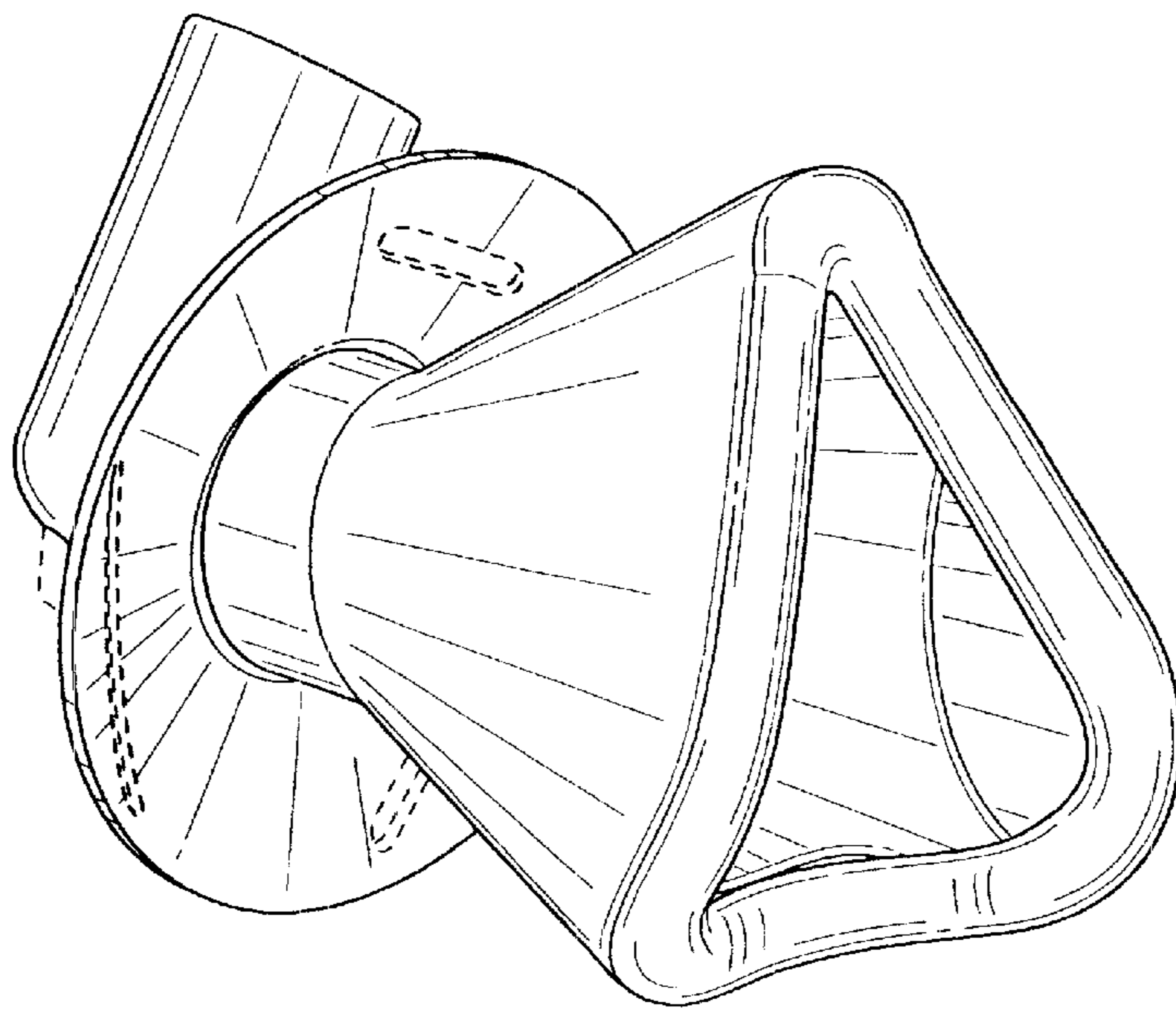


FIG. 2

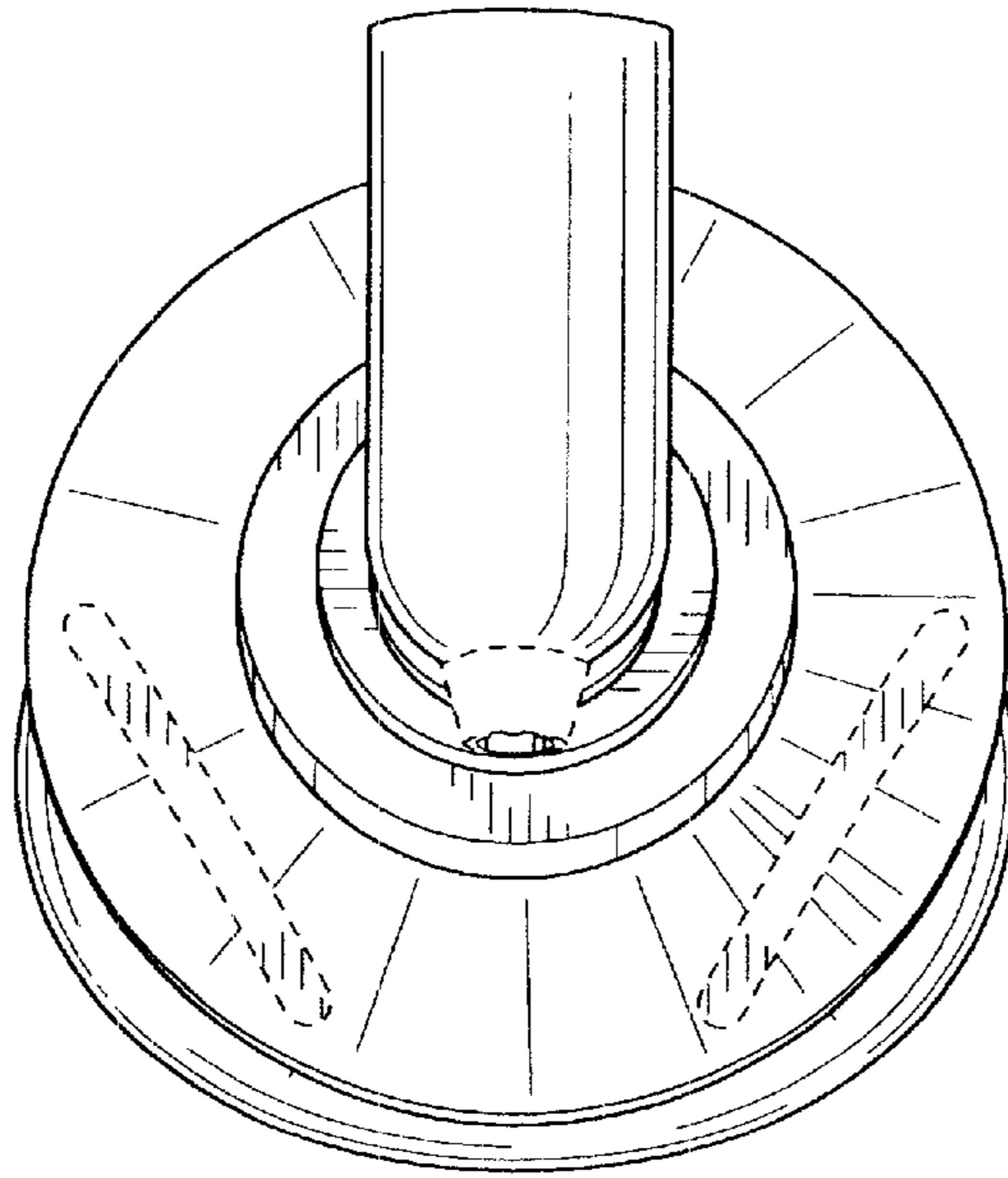


FIG. 3

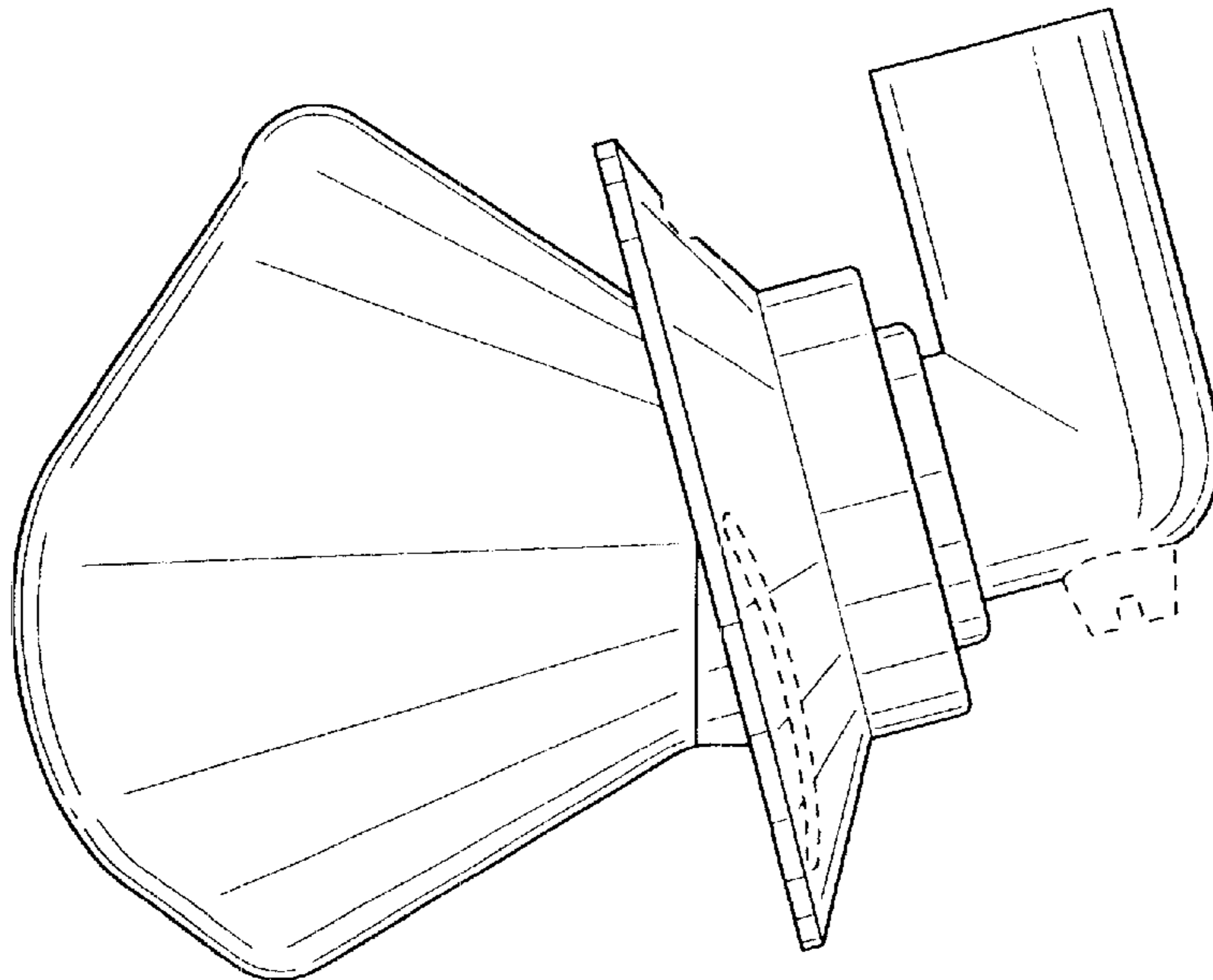


FIG. 4

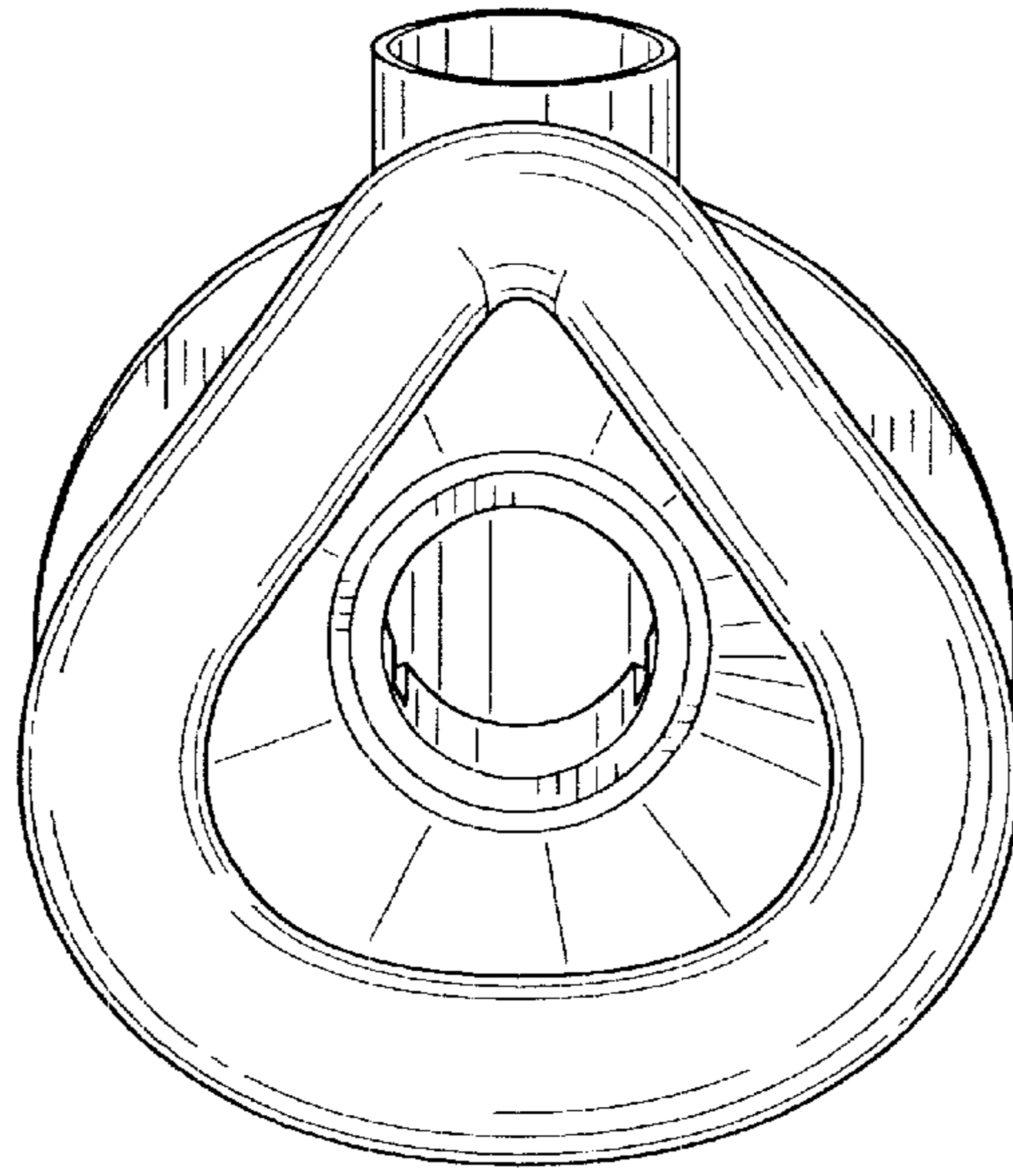


FIG. 5

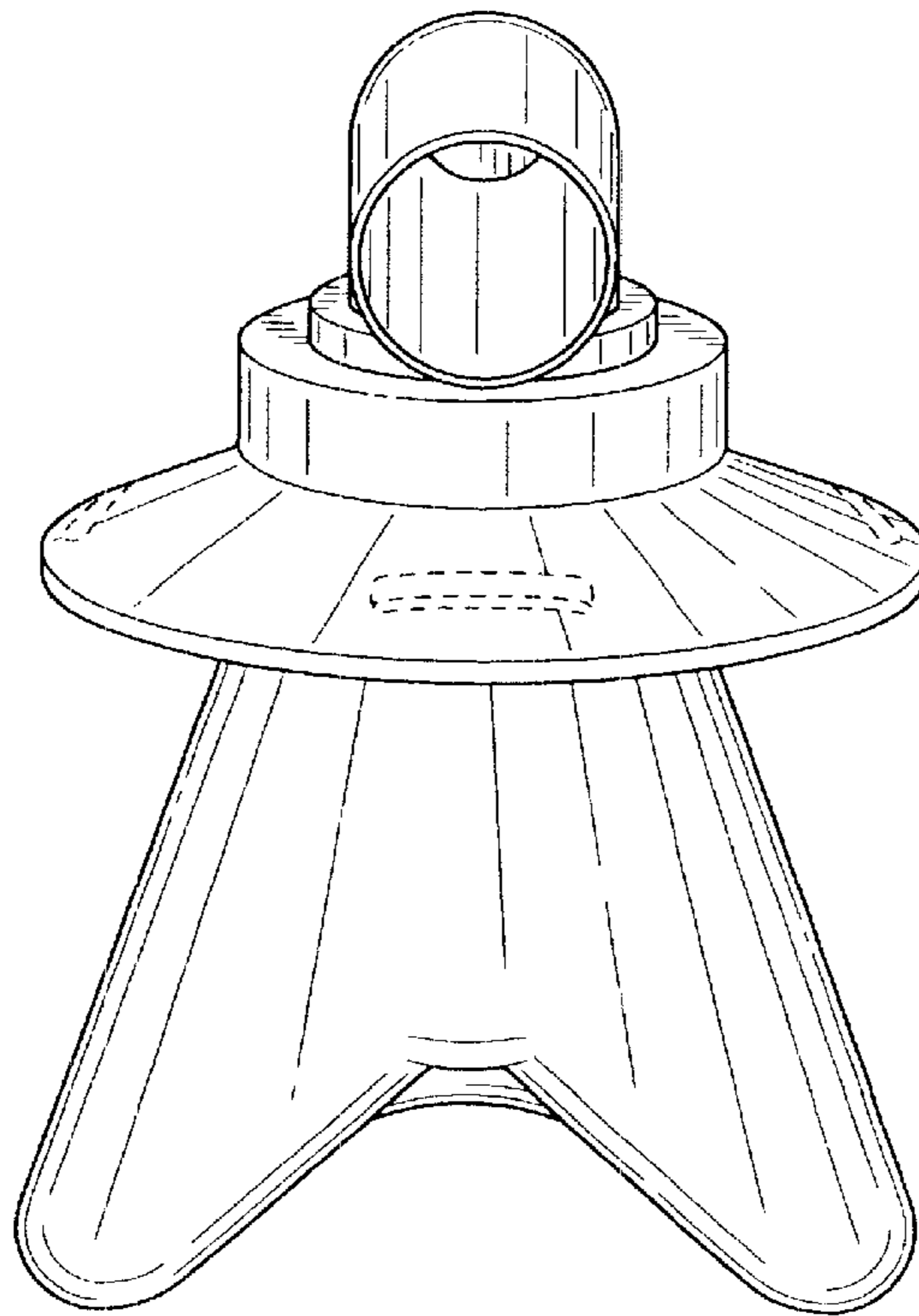


FIG. 6

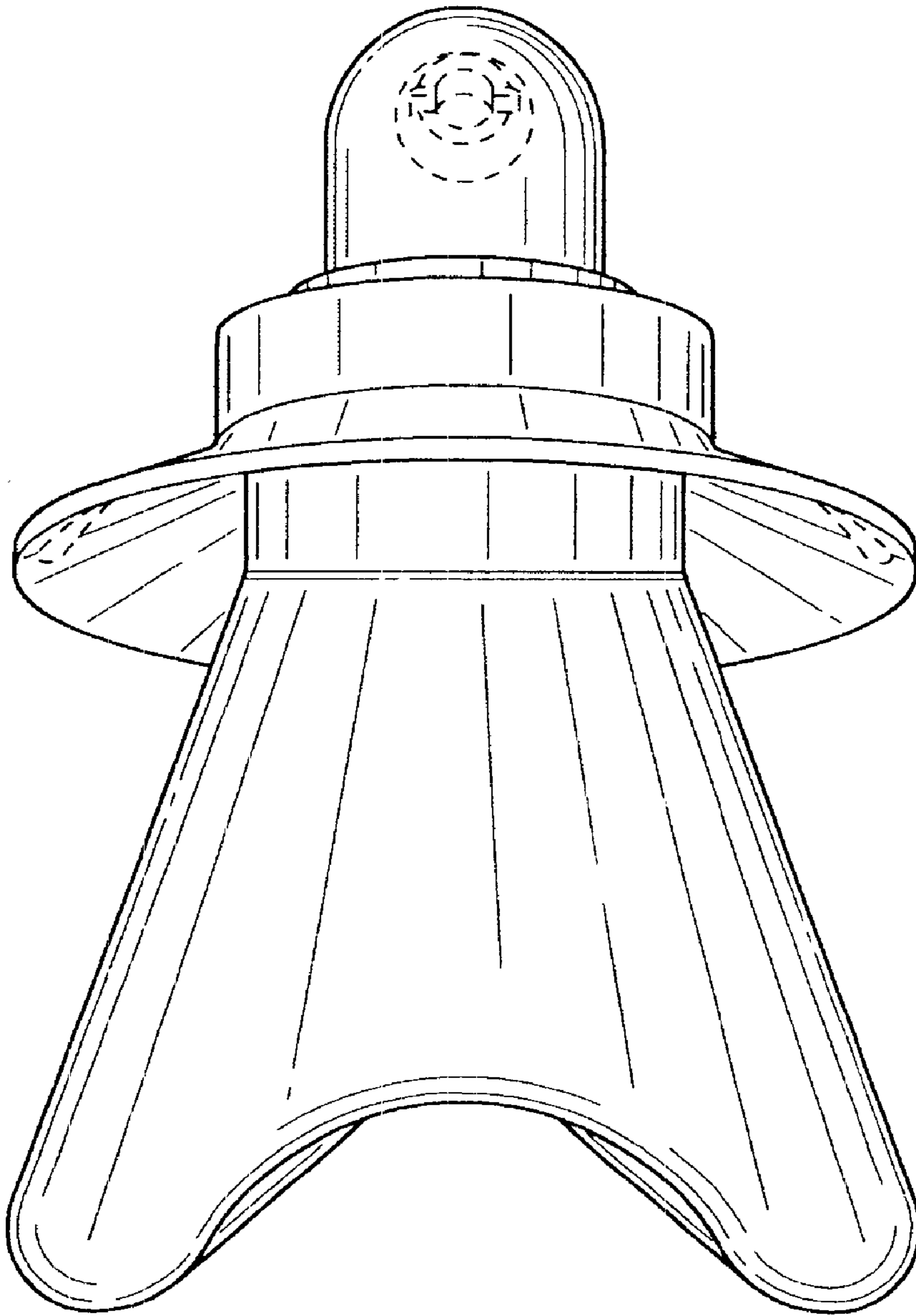


FIG. 7

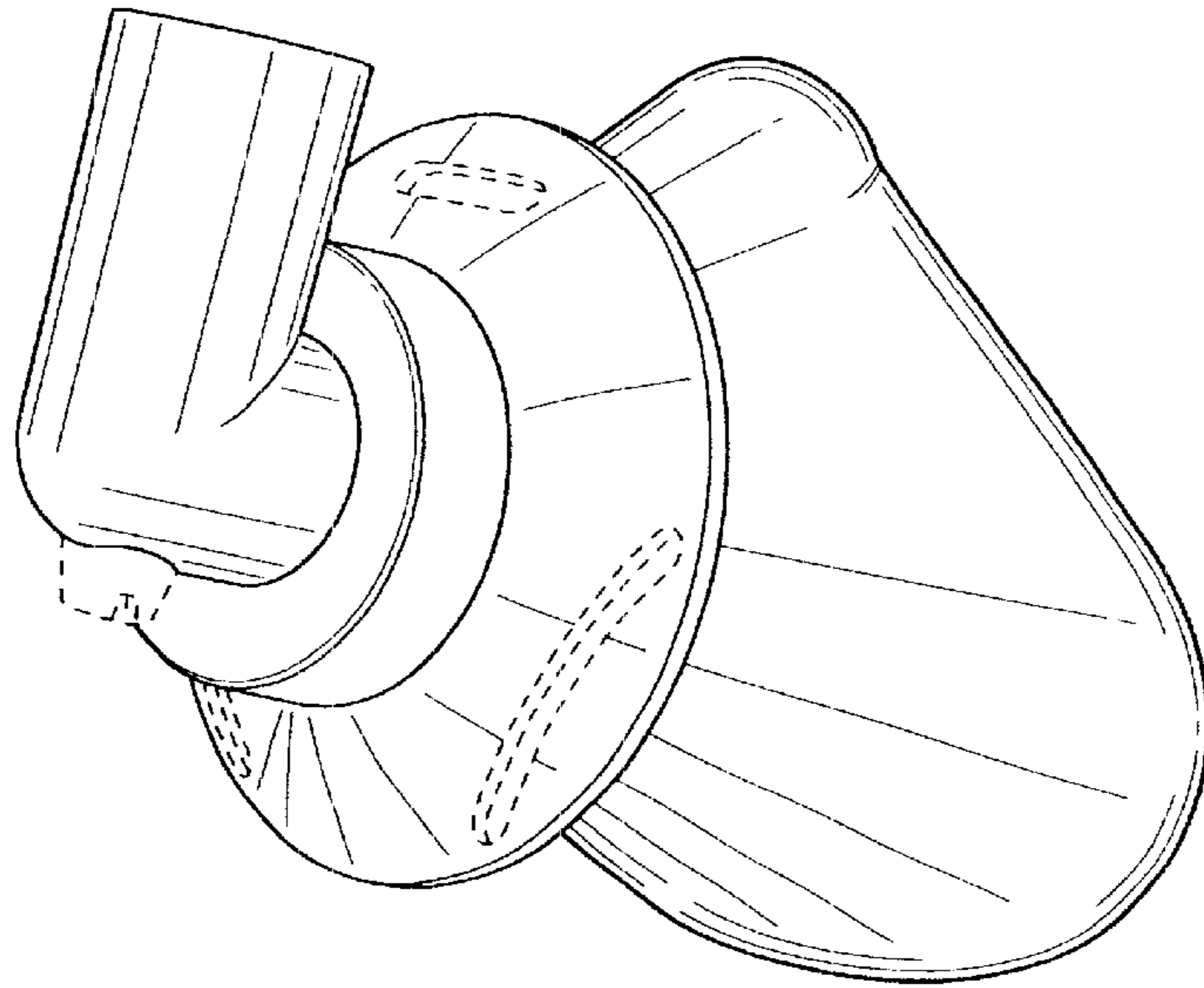


FIG. 8

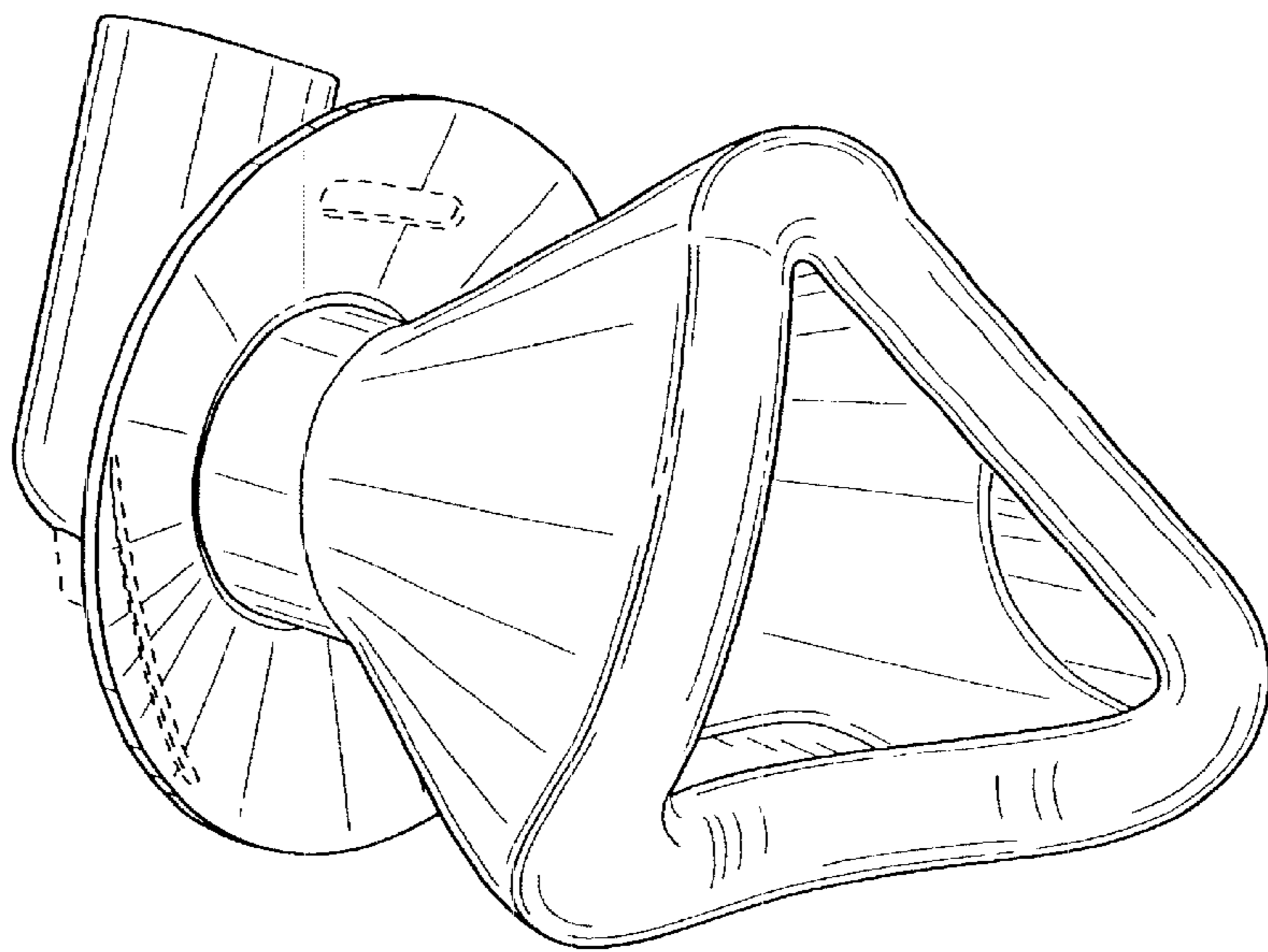


FIG. 9

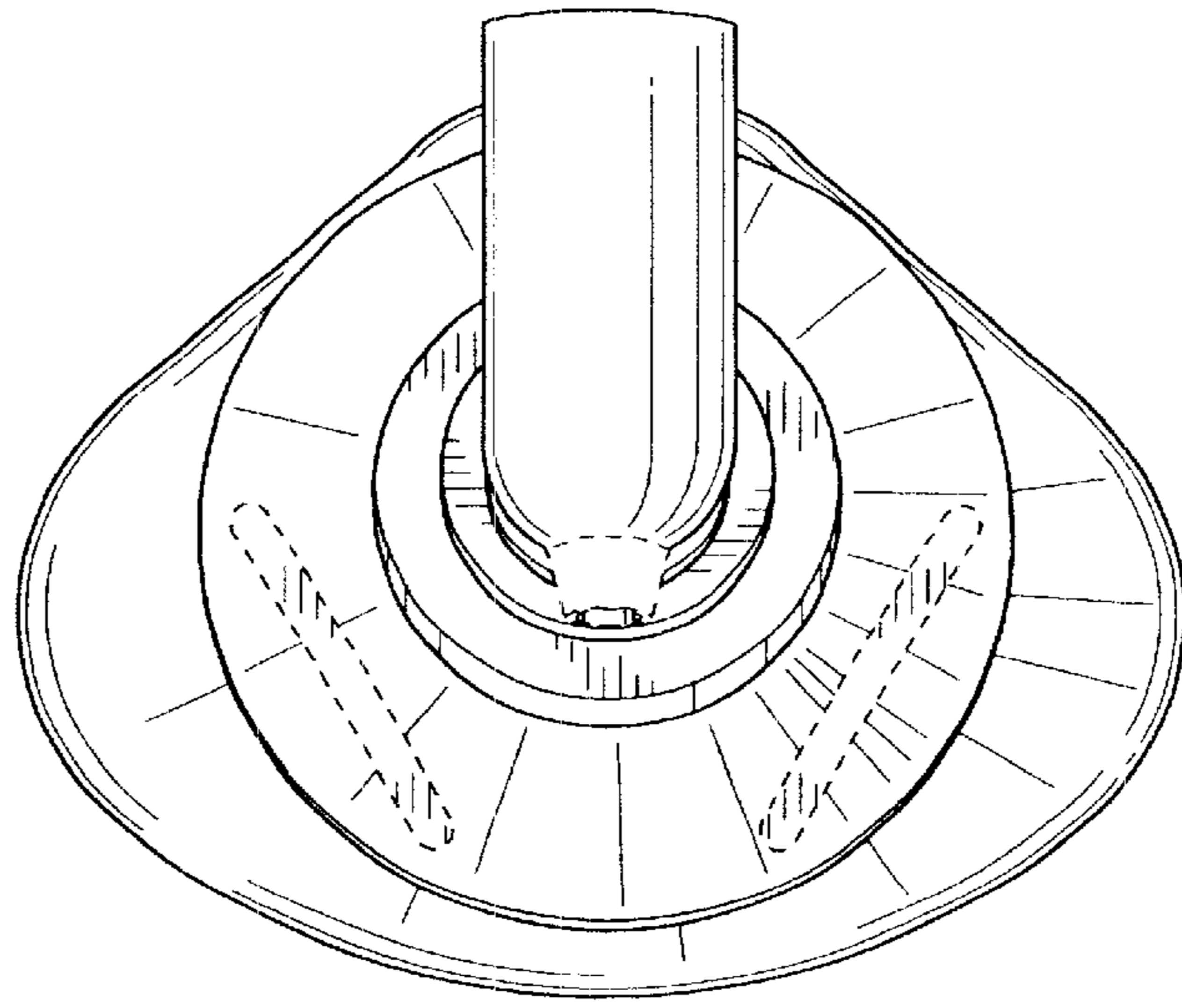


FIG. 10

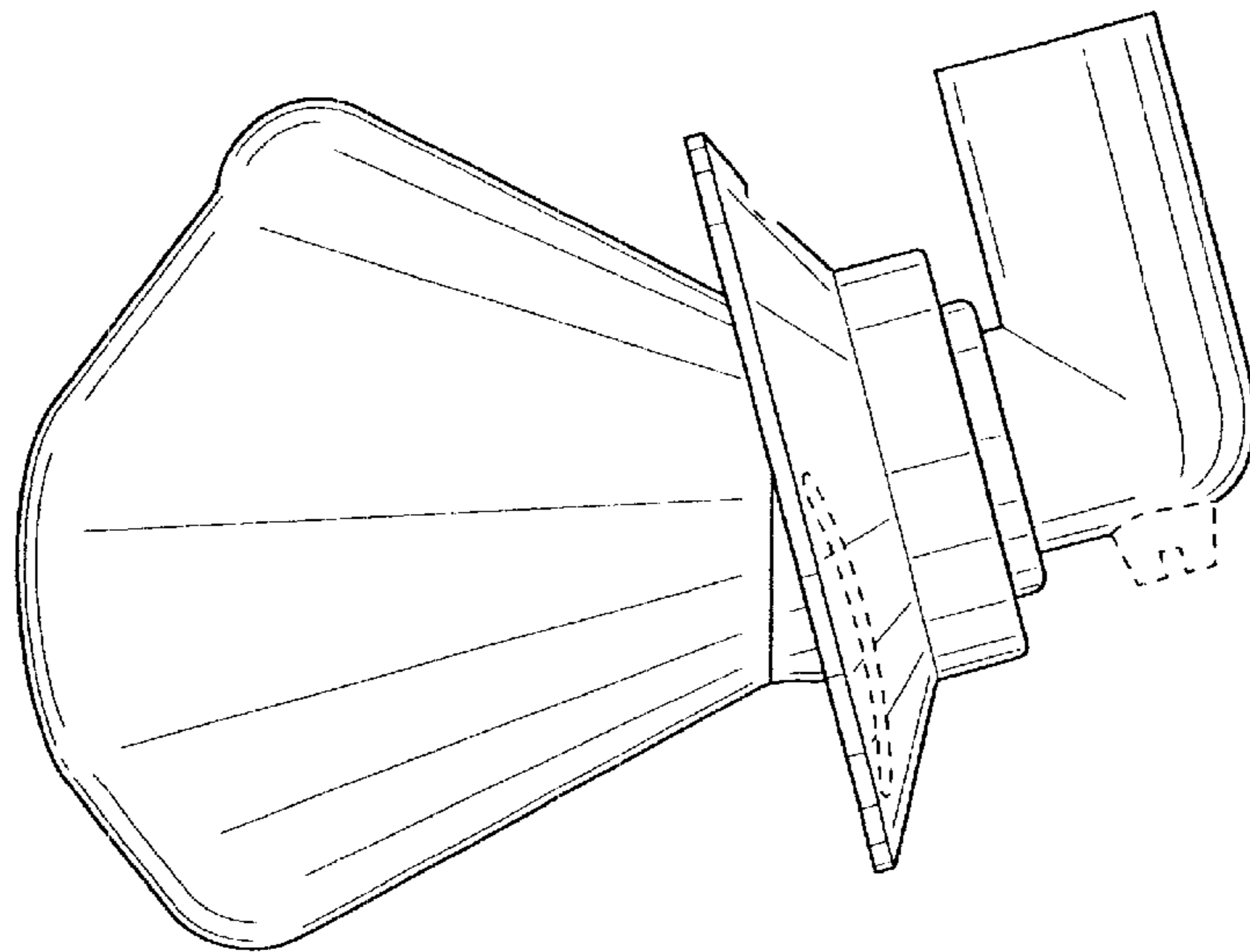


FIG. 11

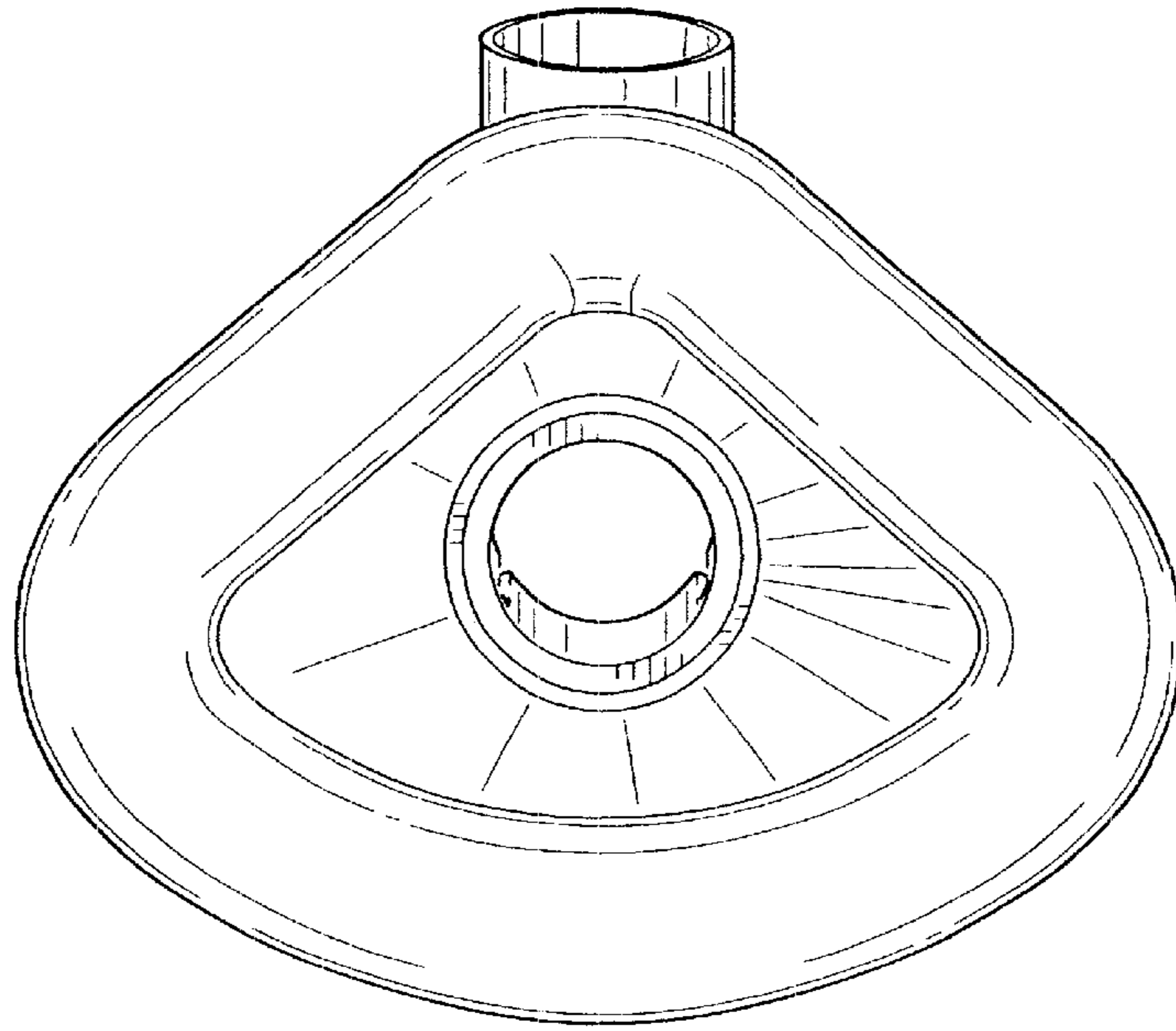


FIG. 12

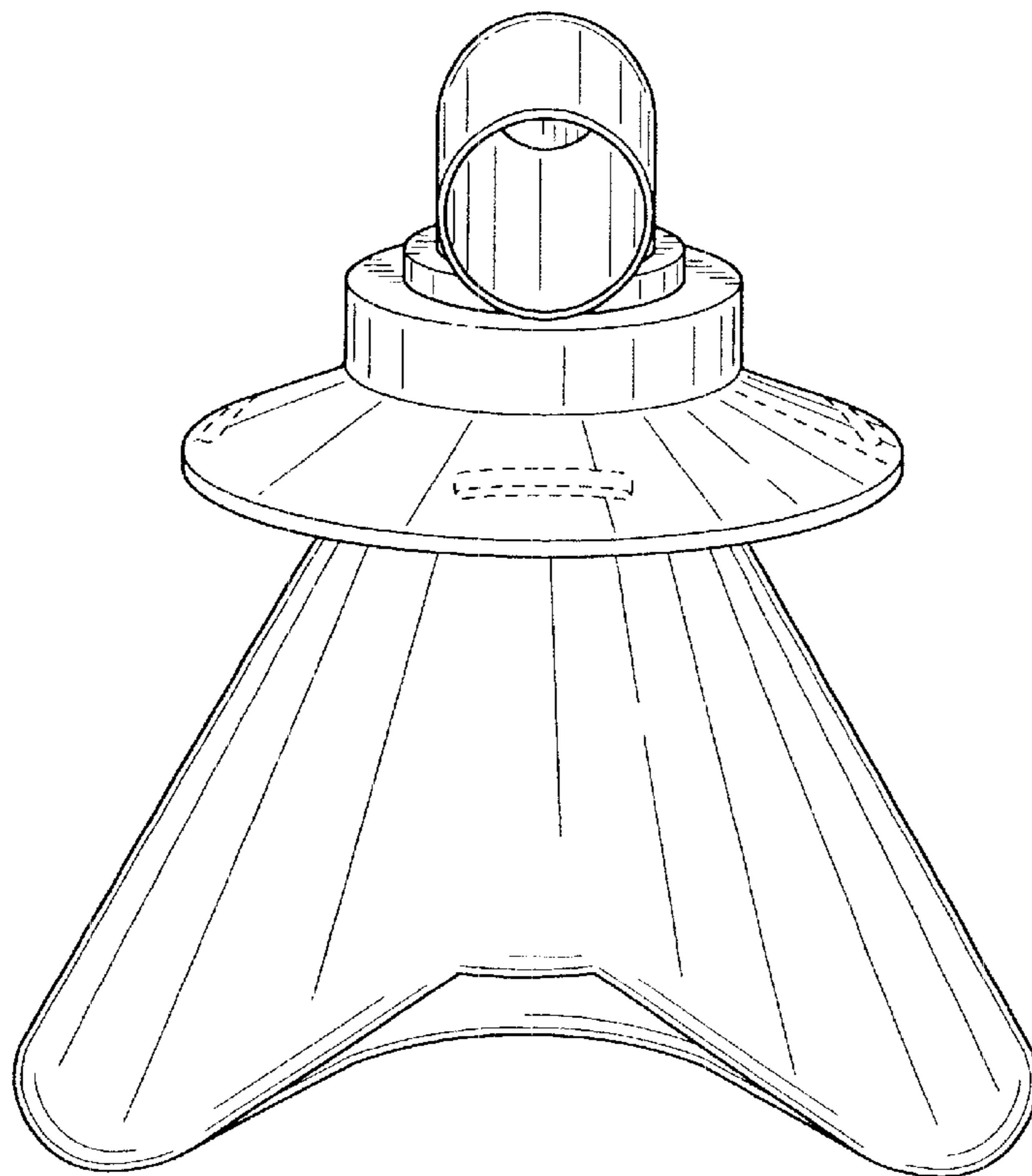


FIG. 13

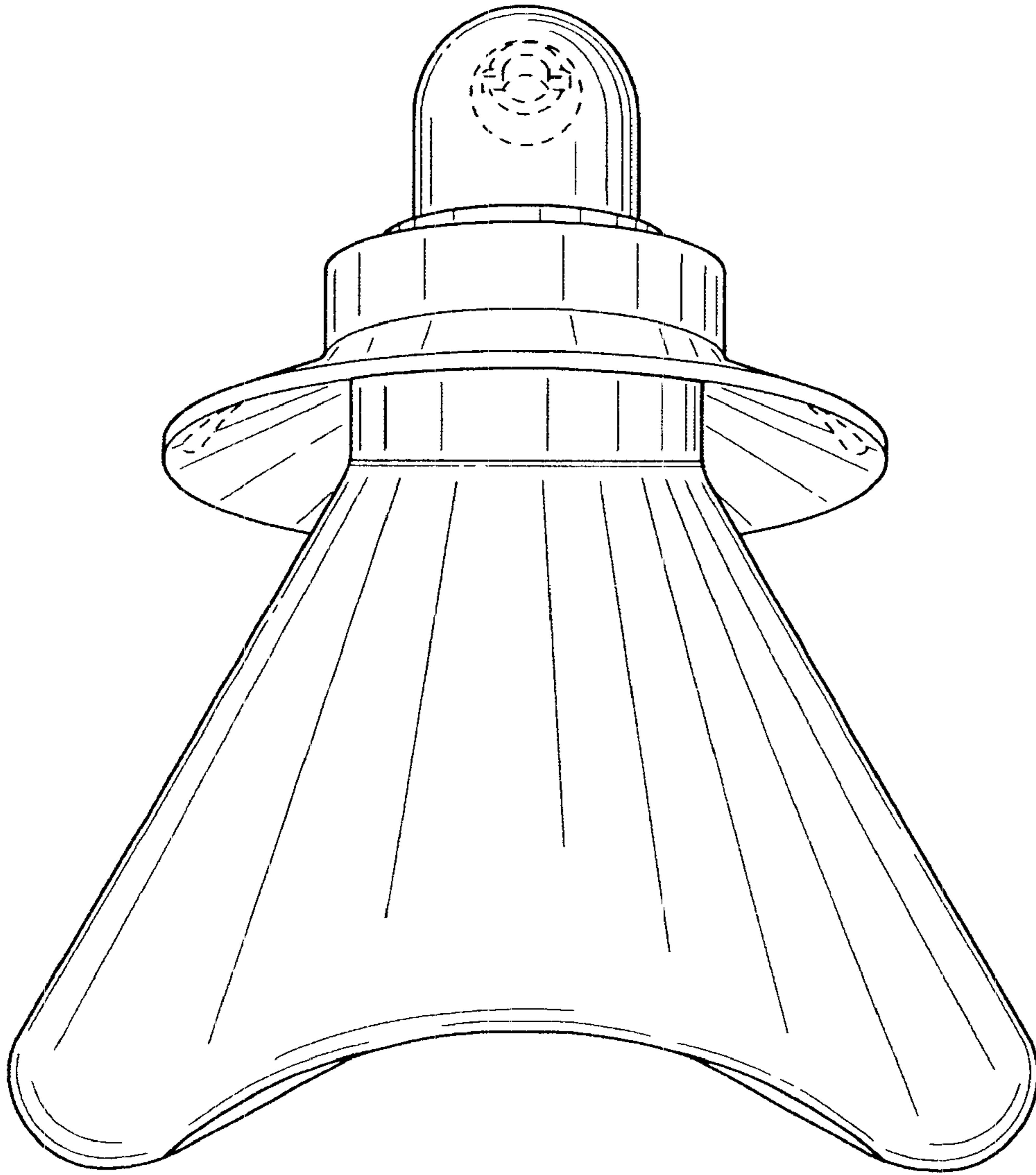


FIG. 14