



US00D464132S

(12) **United States Design Patent**
Campbell

(10) **Patent No.:** **US D464,132 S**

(45) **Date of Patent:** **** Oct. 8, 2002**

(54) **CEILING FAN BLADE IRON**

(75) **Inventor:** **Glennbruce S. Campbell**, Memphis, TN (US)

(73) **Assignee:** **Hunter Fan Company**, Memphis, TN (US)

(**) **Term:** **14 Years**

(21) **Appl. No.:** **29/153,244**

(22) **Filed:** **Nov. 7, 2001**

(51) **LOC (7) Cl. 23-04**

(52) **U.S. Cl. D23/411**

(58) **Field of Search D23/411, 413, D23/377, 379, 385; 416/5, 210 R**

(56) **References Cited**

U.S. PATENT DOCUMENTS

D376,004 S	*	11/1996	Tsuji	D23/377
D376,642 S	*	12/1996	Dolan	D23/377
D418,914 S	*	1/2000	Zuege	D23/377

* cited by examiner

Primary Examiner—Lisa Lichtenstein

(74) *Attorney, Agent, or Firm*—Baker, Donelson, Bearman & Caldwell

(57) **CLAIM**

The ornamental design for a ceiling fan blade iron, as shown and described.

DESCRIPTION

FIG. 1 is a perspective view of a ceiling fan blade iron showing my new design in use.

FIG. 2 is an enlarged bottom view thereof.

FIG. 3 is an enlarged top view thereof.

FIG. 4 is an enlarged front side view thereof.

FIG. 5 is an enlarged rear view thereof; and,

FIG. 6 is an enlarged left side view thereof, the right side view being a mirror image thereof.

The broken lines in FIG. 1 shows environmental features which are for illustrative purposes only and form no part of the claimed design.

1 Claim, 3 Drawing Sheets

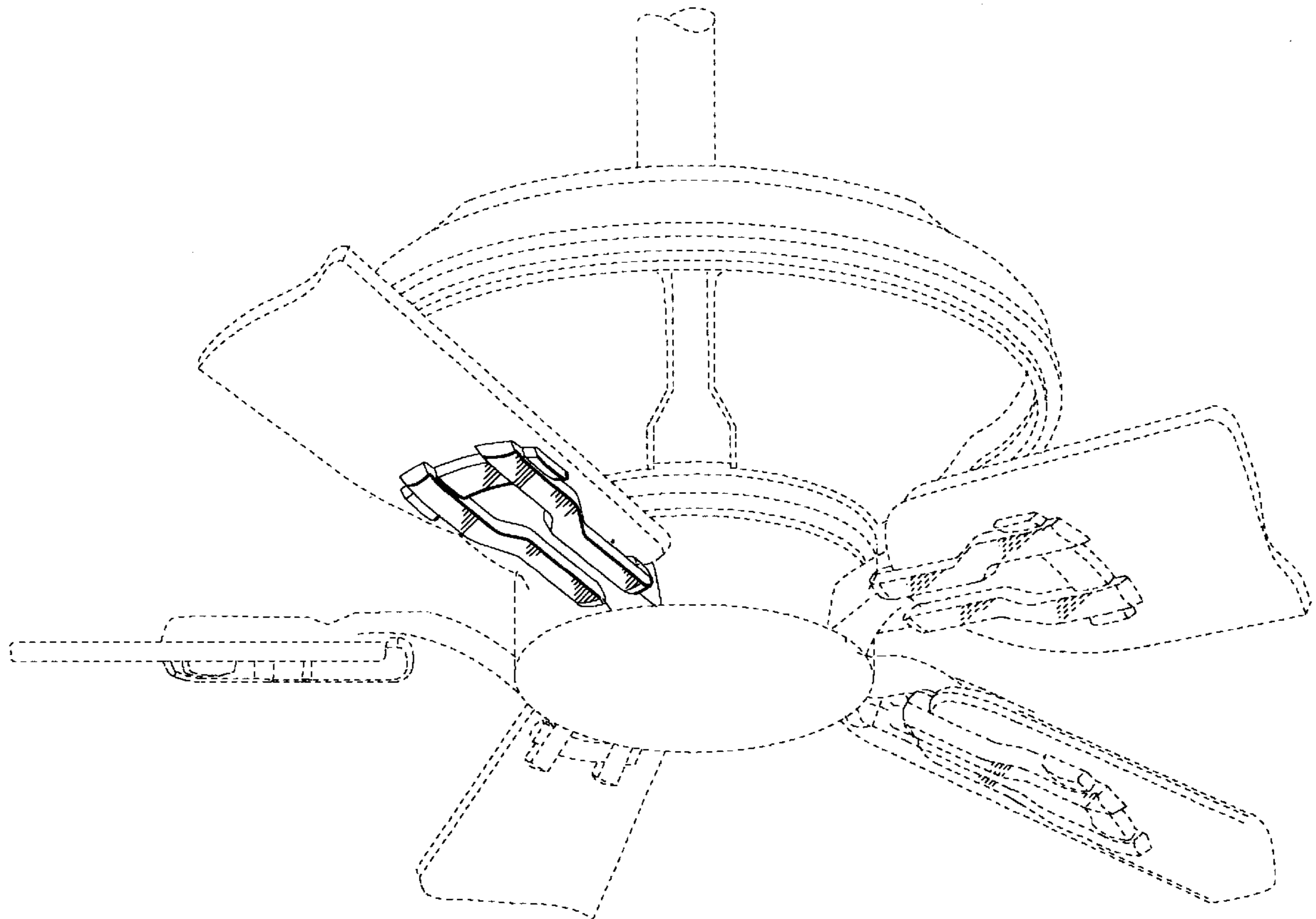


Fig. 1

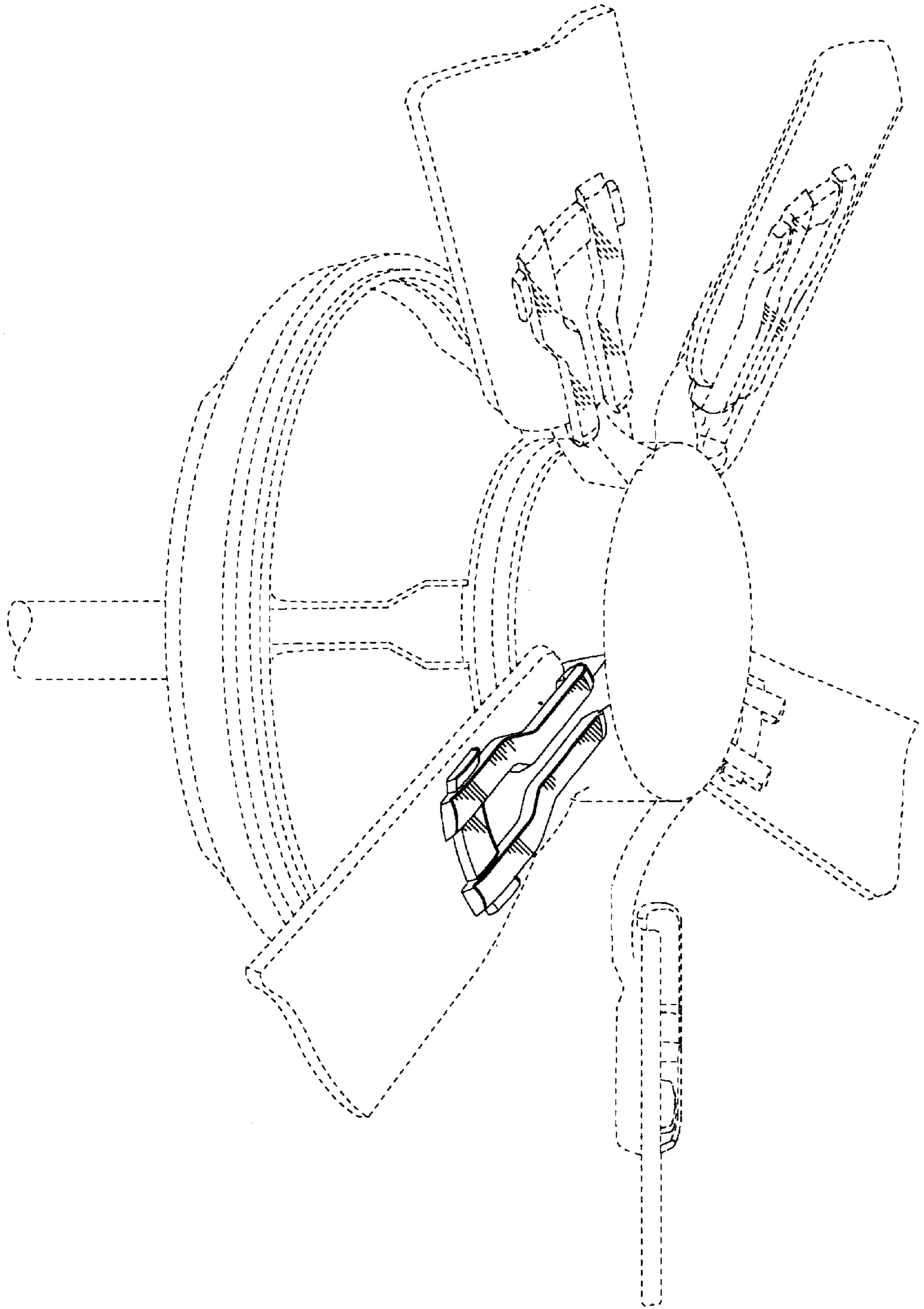


Fig. 2

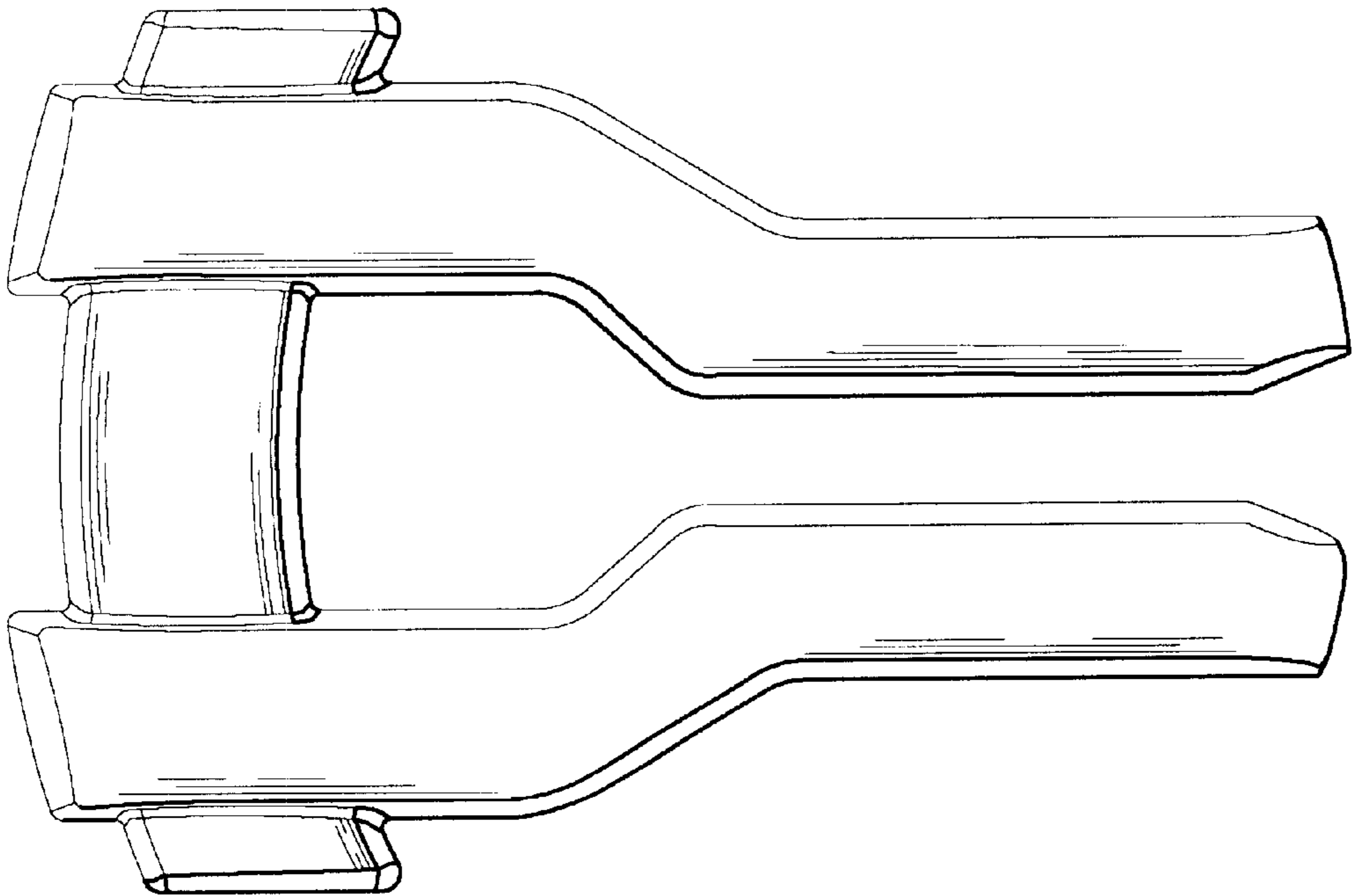


Fig. 3

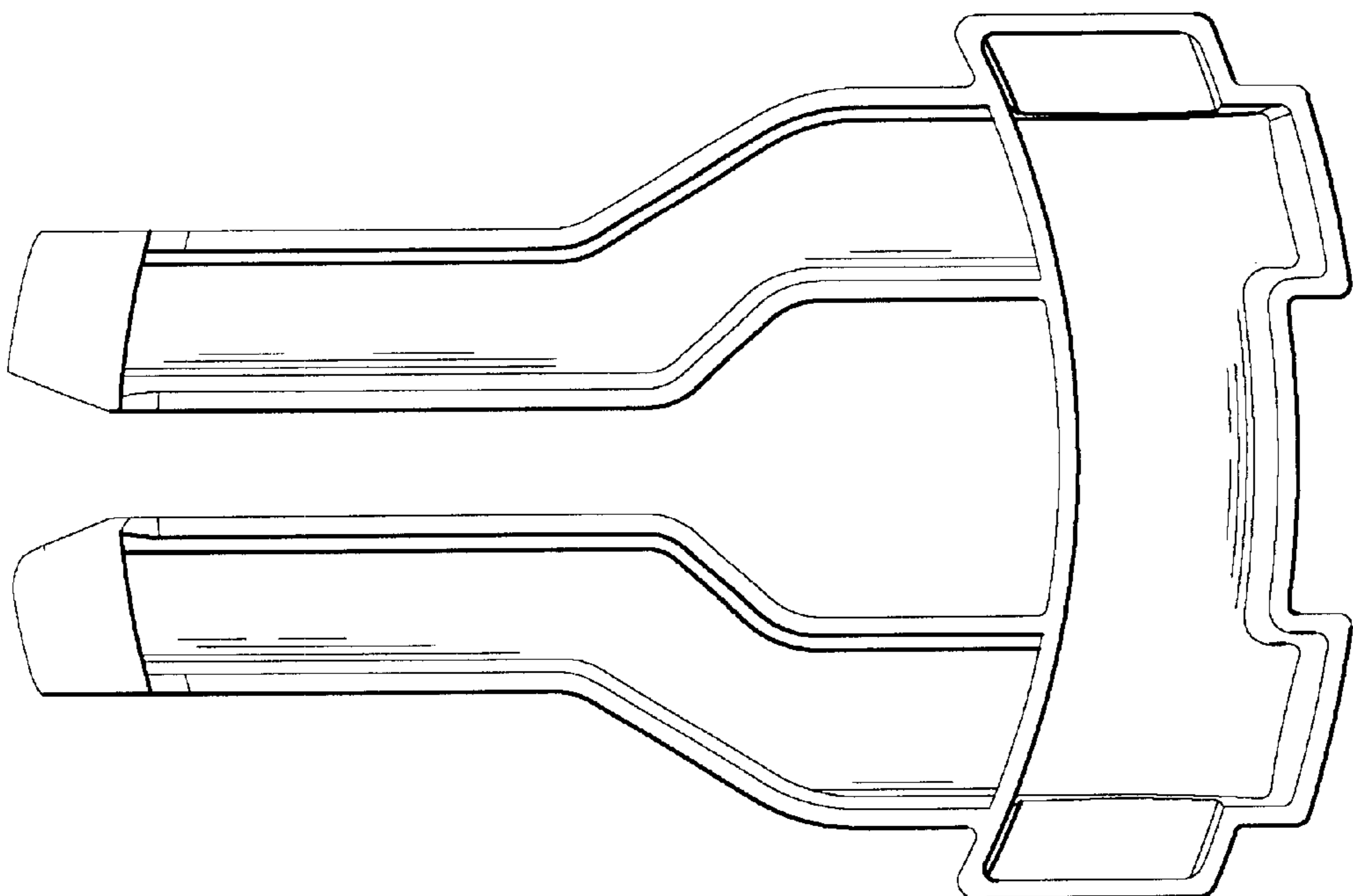


Fig. 4

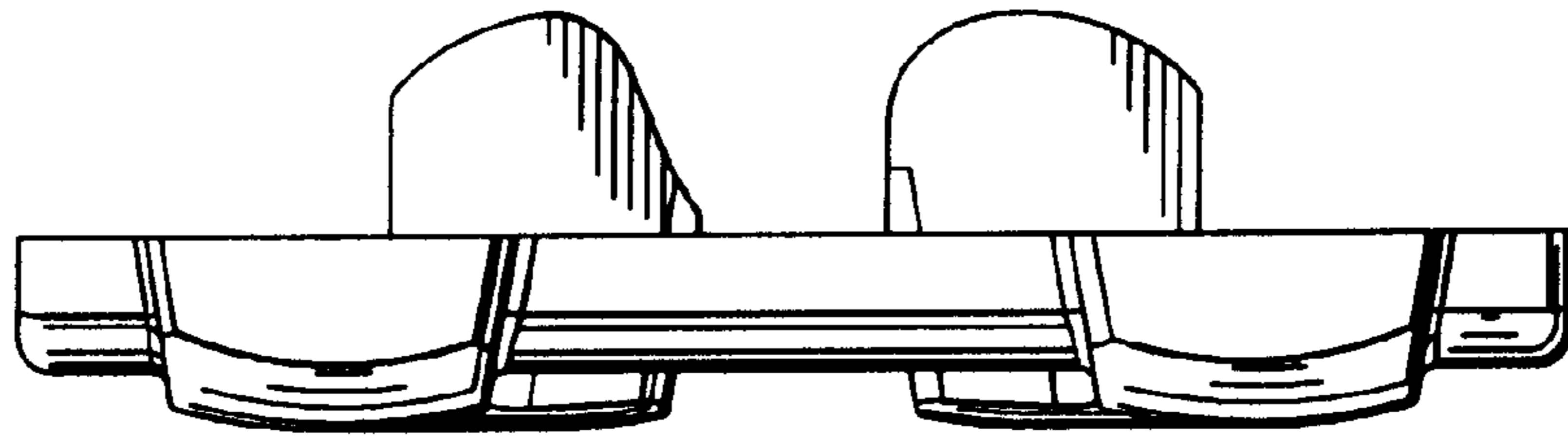


Fig. 5

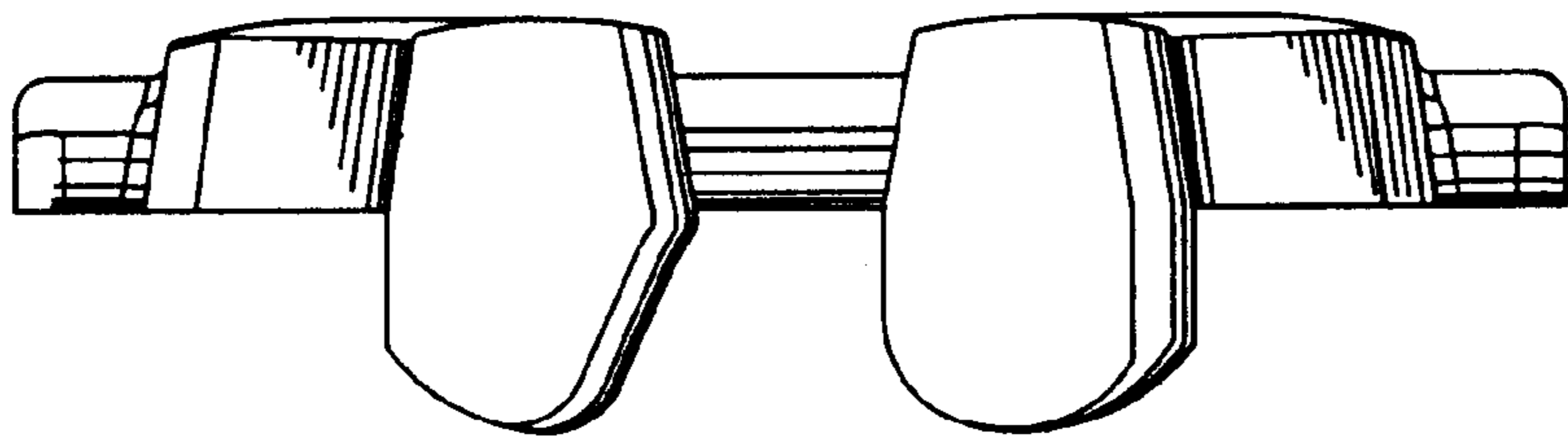


Fig. 6

