



US00D464131S

(12) **United States Design Patent** (10) **Patent No.:** **US D464,131 S**
Sherman et al. (45) **Date of Patent:** **** Oct. 8, 2002**

(54) **BASE FOR A FAN**

(75) Inventors: **Roger Sherman**, Jamaica Plain, MA (US); **Sam Chen**, Tai Chung (TW)

(73) Assignee: **Tensor Corporation**, Chelsea, MA (US)

(**) Term: **14 Years**

(21) Appl. No.: **29/147,399**

(22) Filed: **Aug. 28, 2001**

(51) **LOC (7) Cl.** **23-04**

(52) **U.S. Cl.** **D23/378**

(58) **Field of Search** D23/370, 378, D23/411; 416/247 R, 244 R; 248/676

(56) **References Cited**

U.S. PATENT DOCUMENTS

D59,975 S * 12/1921 Nakamura D23/382
D420,734 S * 2/2000 Thakur D23/378

* cited by examiner

Primary Examiner—Lisa Lichtenstein

(74) *Attorney, Agent, or Firm*—Mirick, O’Connell, DeMallie & Lougee, LLP

(57) **CLAIM**

The ornamental design for a base for a fan, as shown and described.

DESCRIPTION

FIG. 1 is a perspective view of a base for a fan;

FIG. 2 is a front elevation view thereof;

FIG. 3 is a rear elevation view thereof;

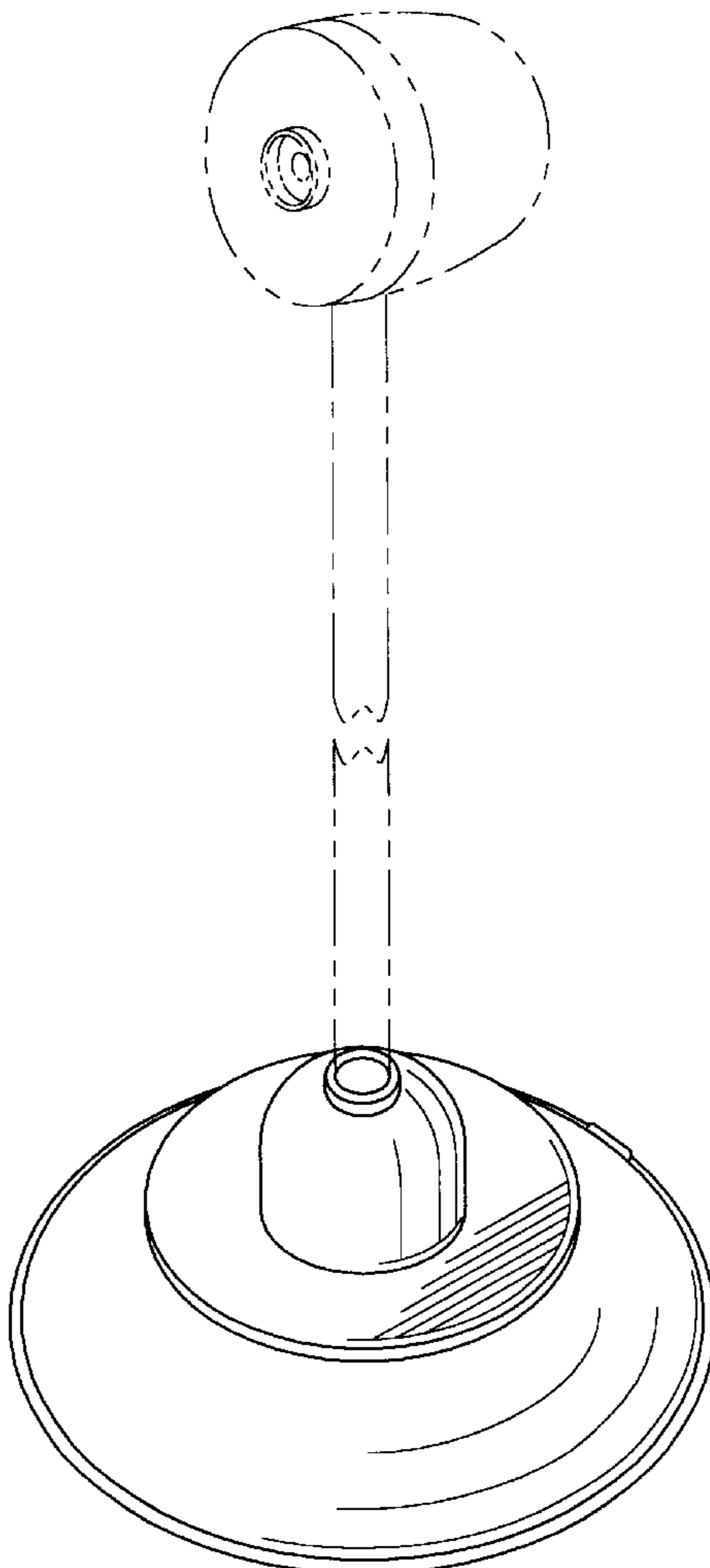
FIG. 4 is a side elevation view thereof;

FIG. 5 is a top plan view thereof; and,

FIG. 6 is a bottom plan view thereof.

The broken line showing of environmental structure in FIGS. 1–5 is for illustrative purposes only and forms no part of the claimed design.

1 Claim, 2 Drawing Sheets



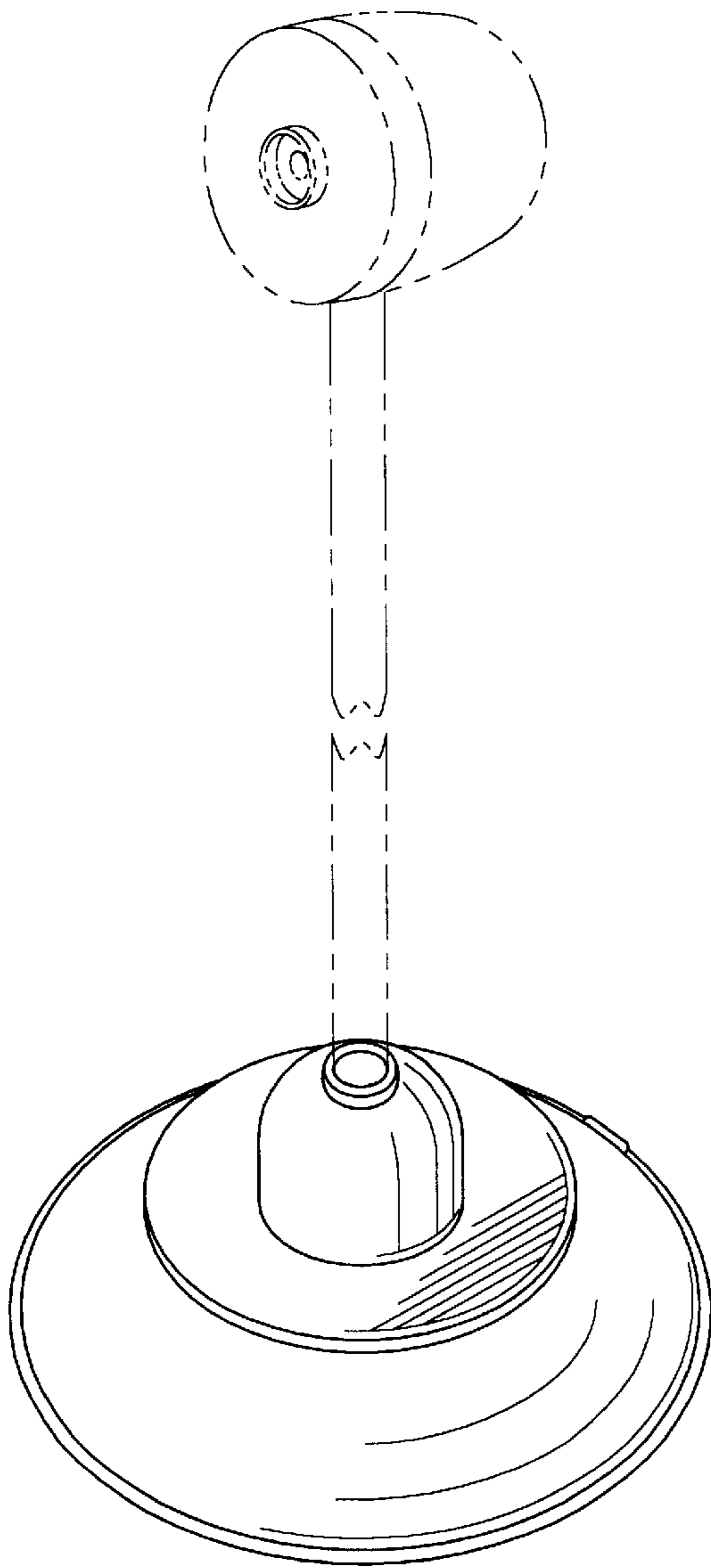


FIG. 1

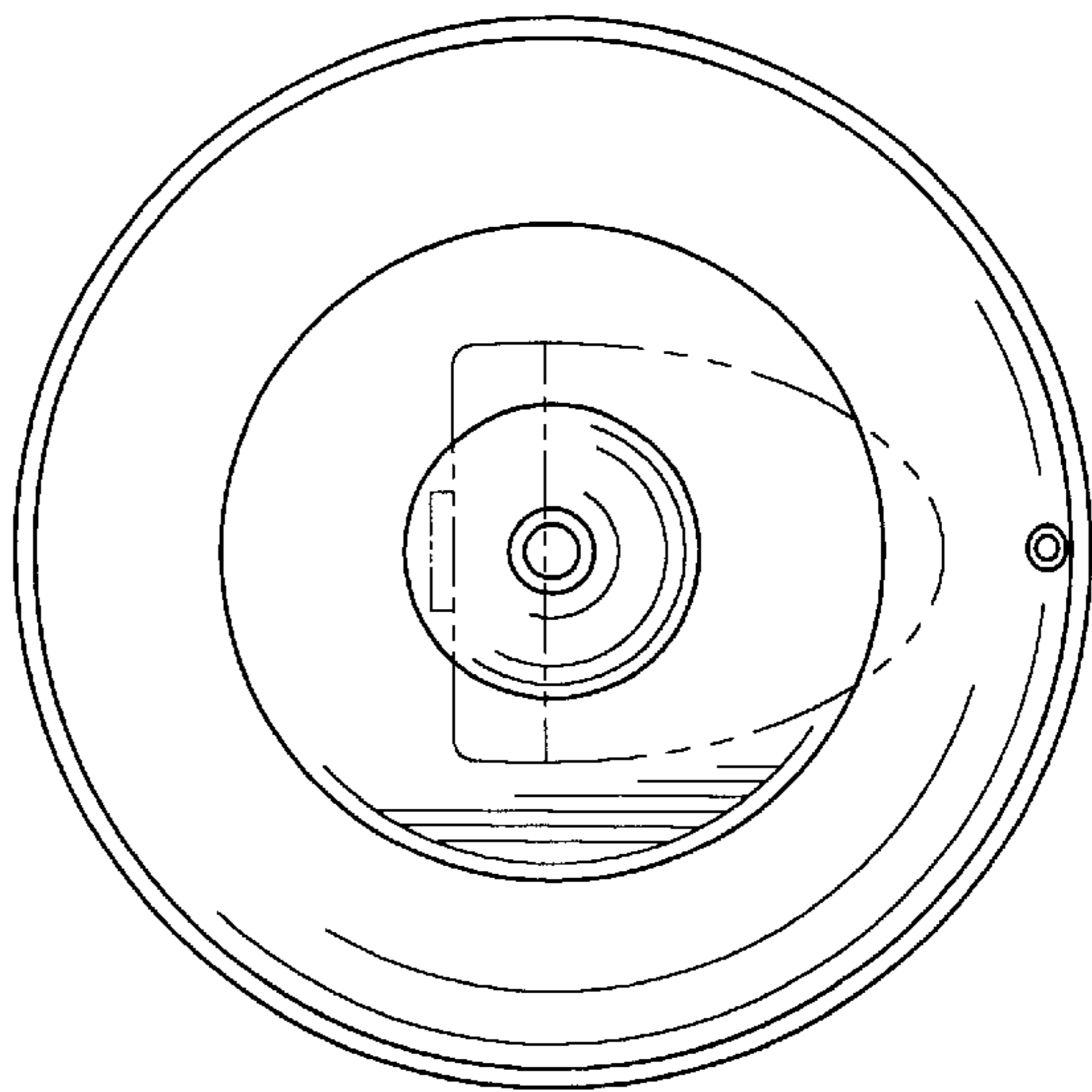


FIG. 5

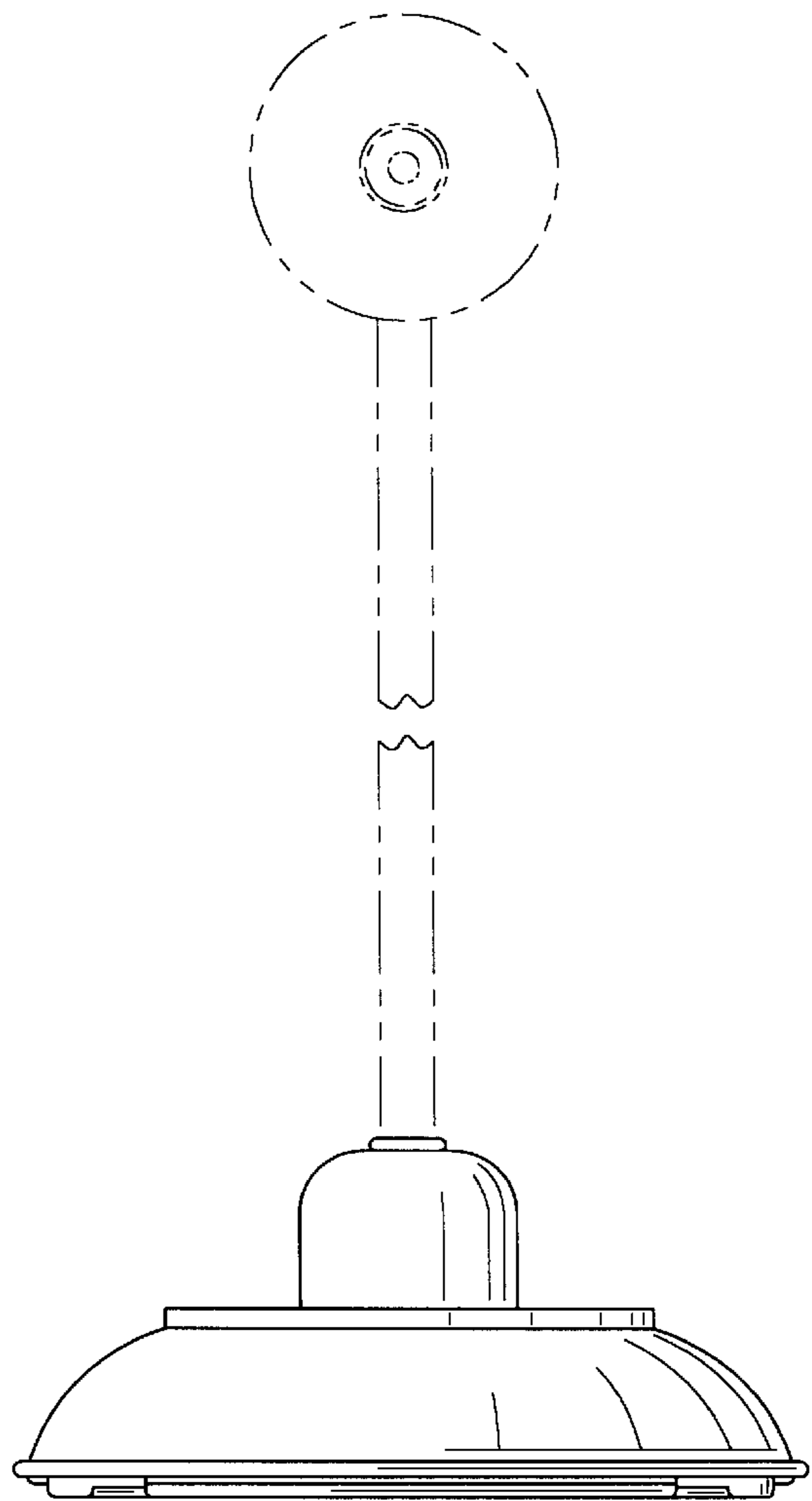


FIG. 2

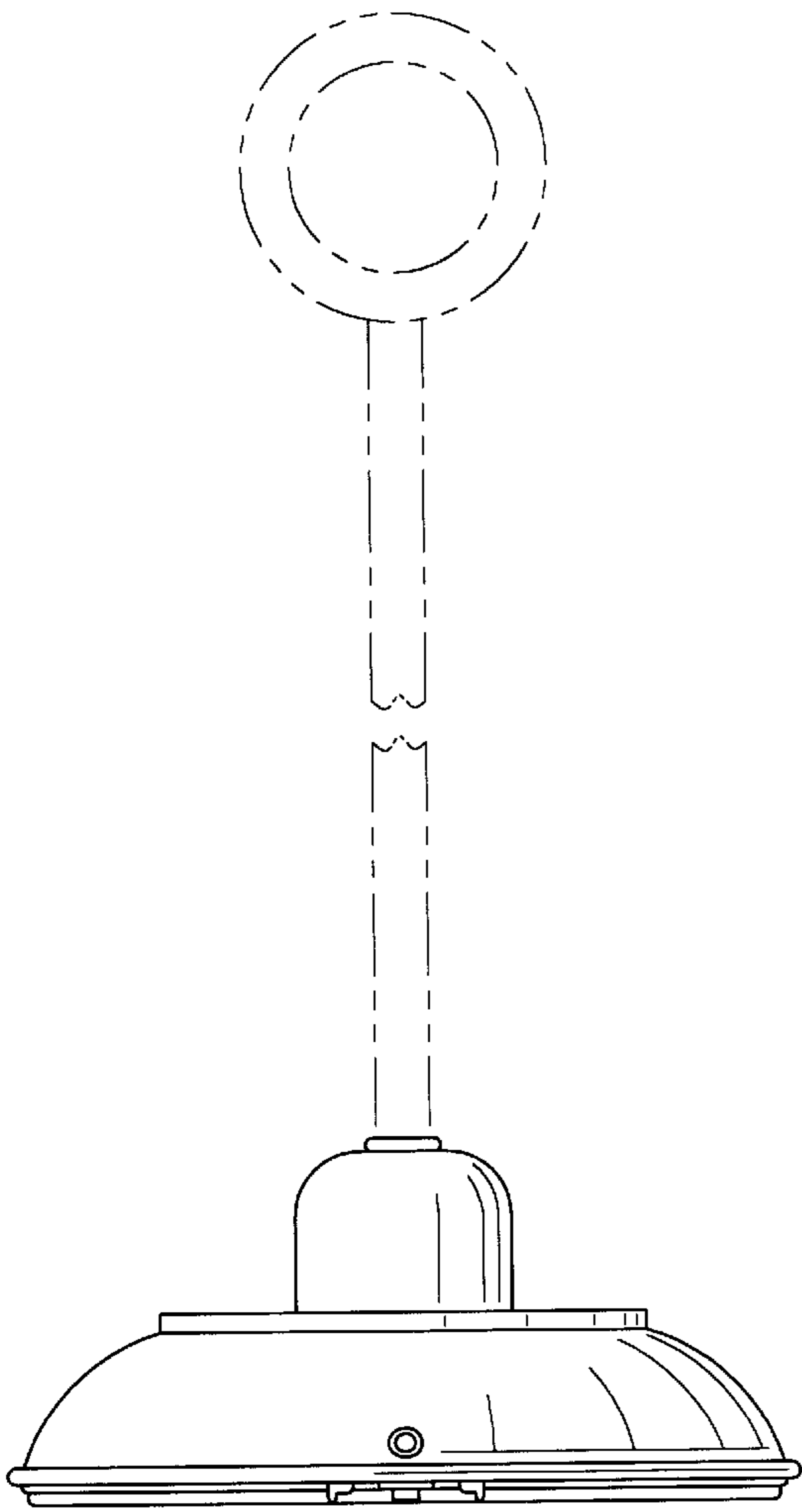


FIG. 3

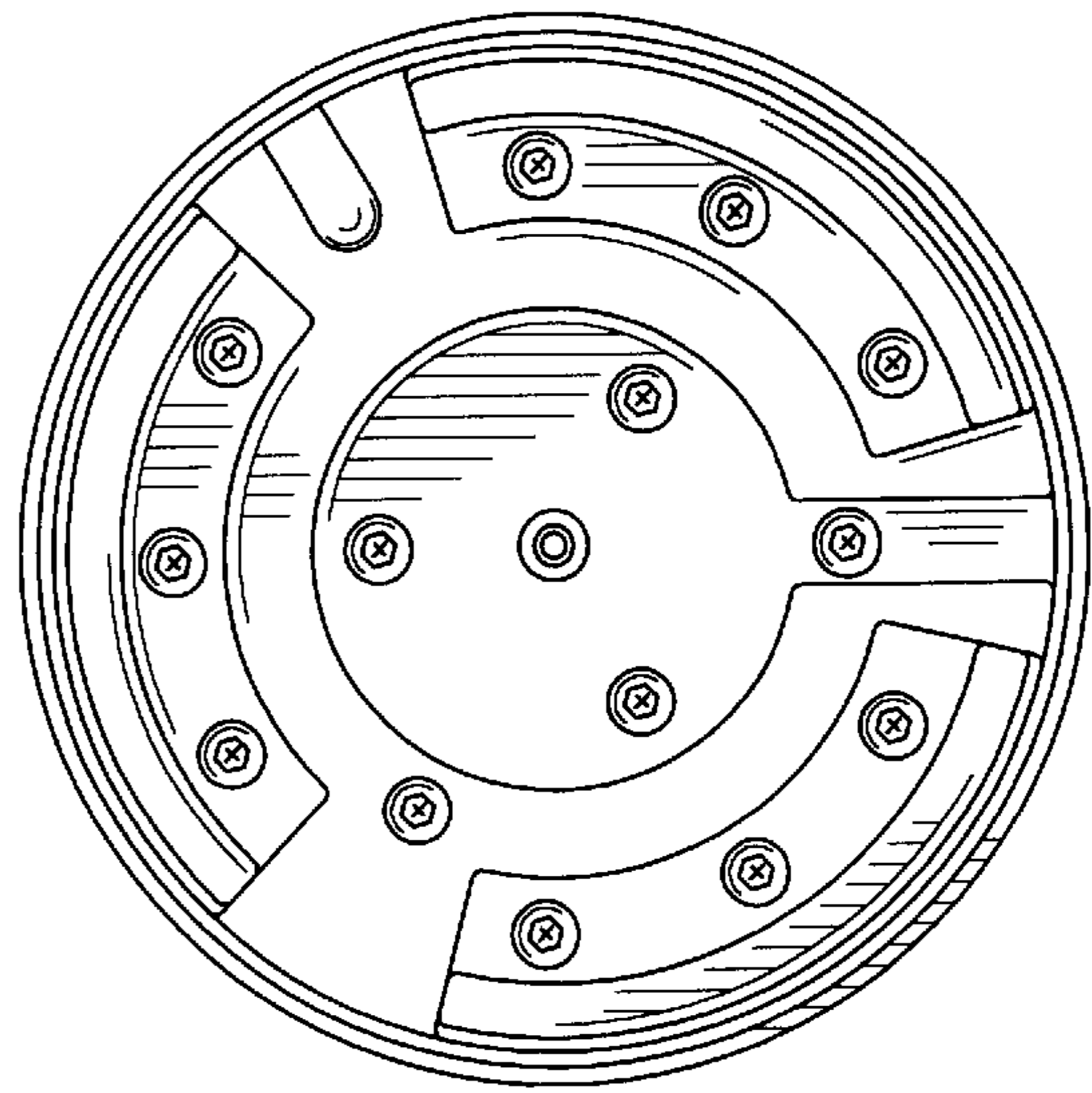


FIG. 6

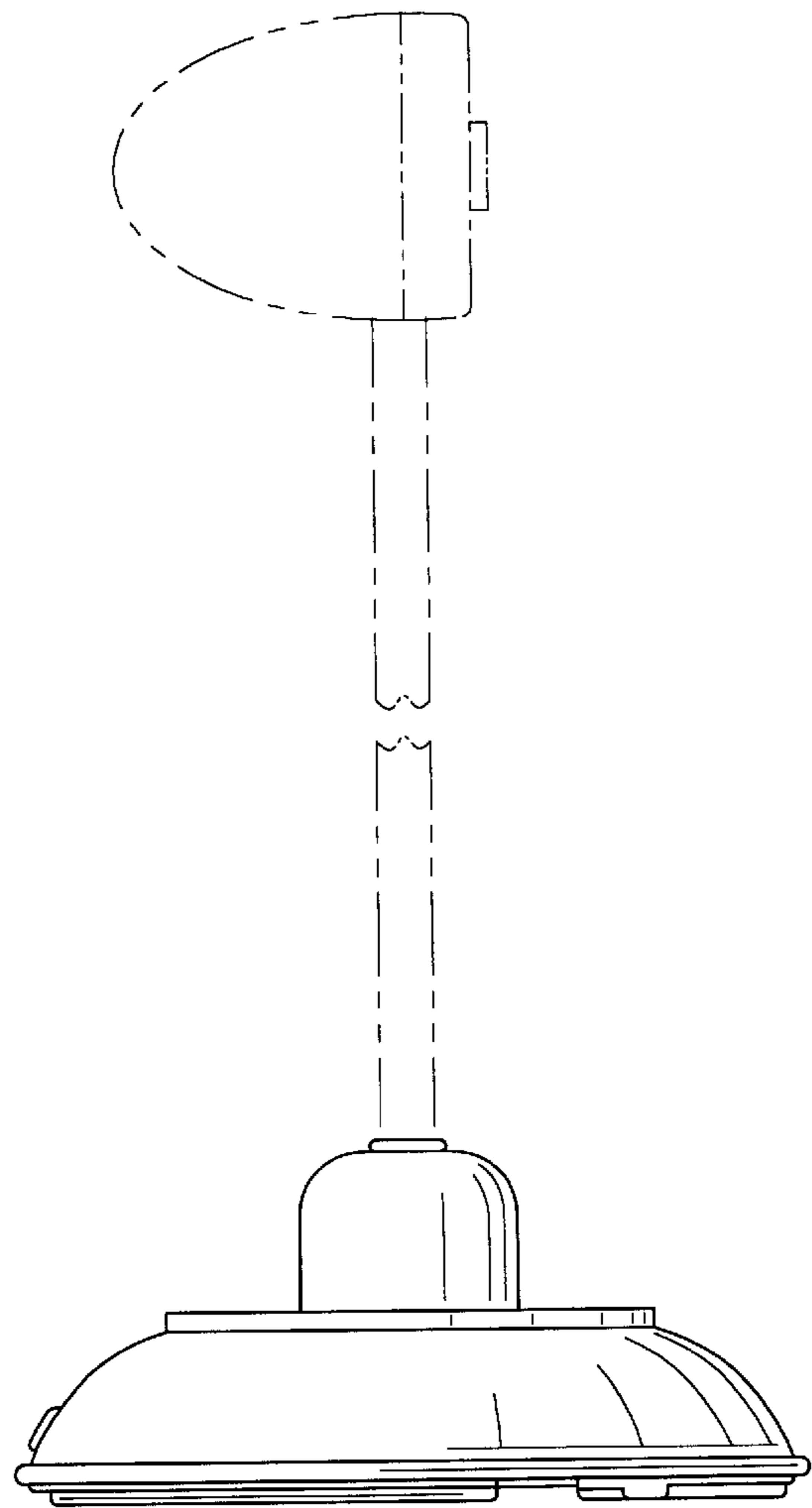


FIG. 4