



US00D464129S

(12) **United States Design Patent**
Xu et al.

(10) **Patent No.:** **US D464,129 S**
(45) **Date of Patent:** **** Oct. 8, 2002**

(54) **FILTER ELEMENT WITH PINCHED SEAL**

(75) Inventors: **Jian Xu**, Maple Grove, MN (US); **John David Kuhn**, Richfield, MN (US); **Edward J. Kreitinger**, Apple Valley, MN (US); **Wayne R. W. Bishop**, St. Louis Park, MN (US); **Steven Scott Gieseke**, Richfield, MN (US)

(73) Assignee: **Donaldson Company, Inc.**, Minneapolis, MN (US)

(**) Term: **14 Years**

(21) Appl. No.: **29/152,624**

(22) Filed: **Dec. 20, 2001**

(51) **LOC (7) Cl.** **23-04**

(52) **U.S. Cl.** **D23/365**

(58) **Field of Search** D23/365, 355;
55/521, 497, 498, 357

(56) **References Cited**

U.S. PATENT DOCUMENTS

3,025,963 A	3/1962	Bauer	
3,209,917 A	10/1965	Yelinek	
4,065,341 A	12/1977	Cub	
4,255,175 A *	3/1981	Wilkins	55/357
4,289,513 A *	9/1981	Brownhill et al.	55/521
4,449,993 A	5/1984	Bergeron	
4,498,989 A *	2/1985	Miyakawa et al.	55/521
5,543,007 A	8/1996	Takagaki et al.	
5,547,480 A	8/1996	Coulonvaux	

D396,098 S	7/1998	Gillingham et al.
D399,944 S	10/1998	Gillingham et al.
5,820,646 A	10/1998	Gillingham et al.
5,897,676 A	4/1999	Engel
D417,268 S	11/1999	Gillingham
6,179,890 B1	1/2001	Ramos et al.
D437,402 S	2/2001	Gieseke et al.
6,190,432 B1	2/2001	Gieseke et al.
6,235,195 B1	5/2001	Tokar
D450,827 S	11/2001	Gieseke et al.
D450,828 S	11/2001	Tokar

* cited by examiner

Primary Examiner—Lisa Lichtenstein

(74) *Attorney, Agent, or Firm*—Merchant & Gould P.C.

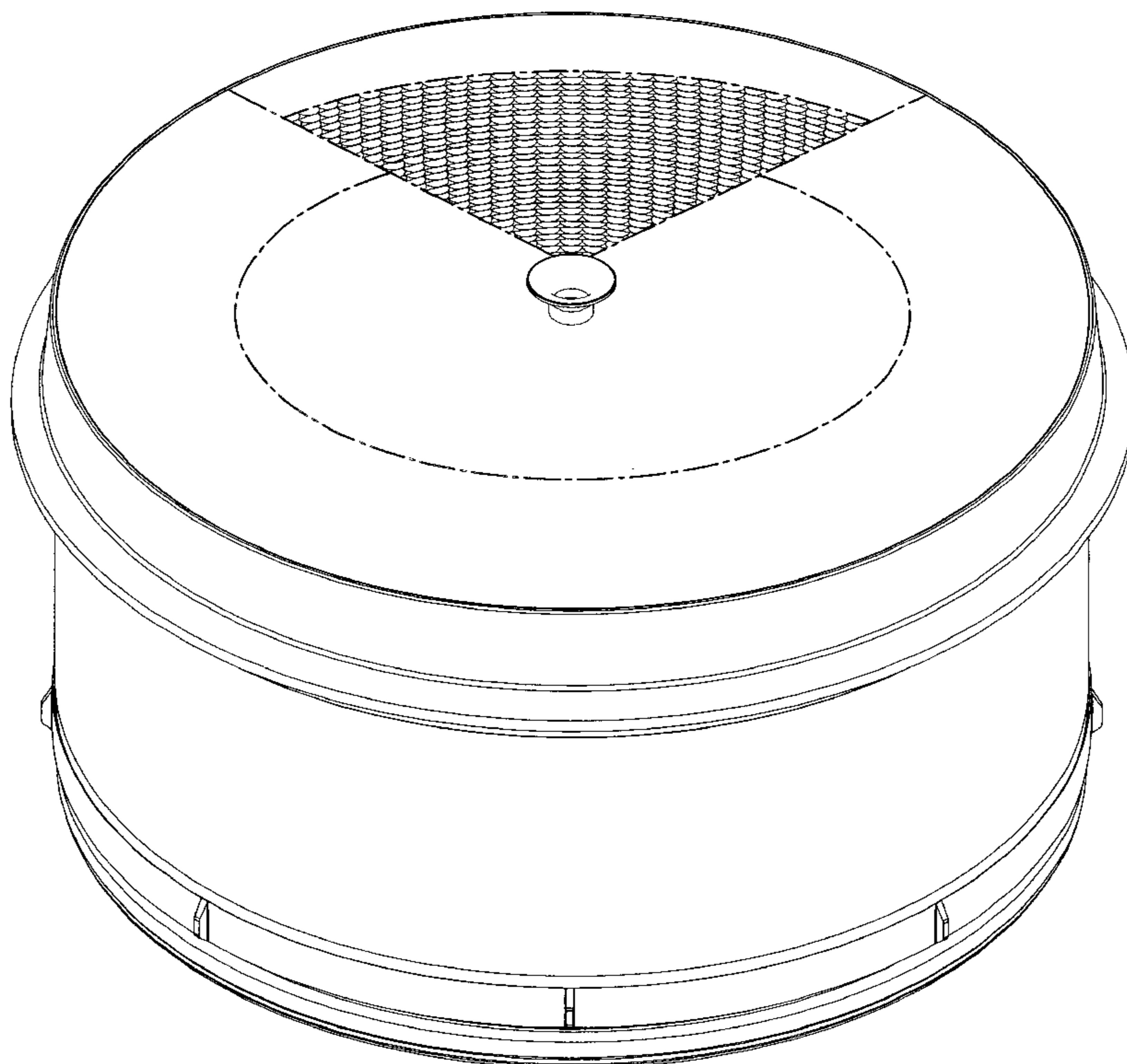
(57) **CLAIM**

The ornamental design for a filter element with pinched seal, as shown and described.

DESCRIPTION

FIG. 1 is a top perspective view of the filter element with pinched seal embodying our new design; FIG. 2 is a side elevational view of the filter element with pinched seal depicted in FIG. 1, all other side elevational views being a mirror image thereof and having an identical appearance thereto; FIG. 3 is a top plan view of a filter element with pinched seal depicted in FIG. 1; and, FIG. 4 is a bottom plan view of the filter element with pinched seal depicted in FIG. 1.

1 Claim, 4 Drawing Sheets



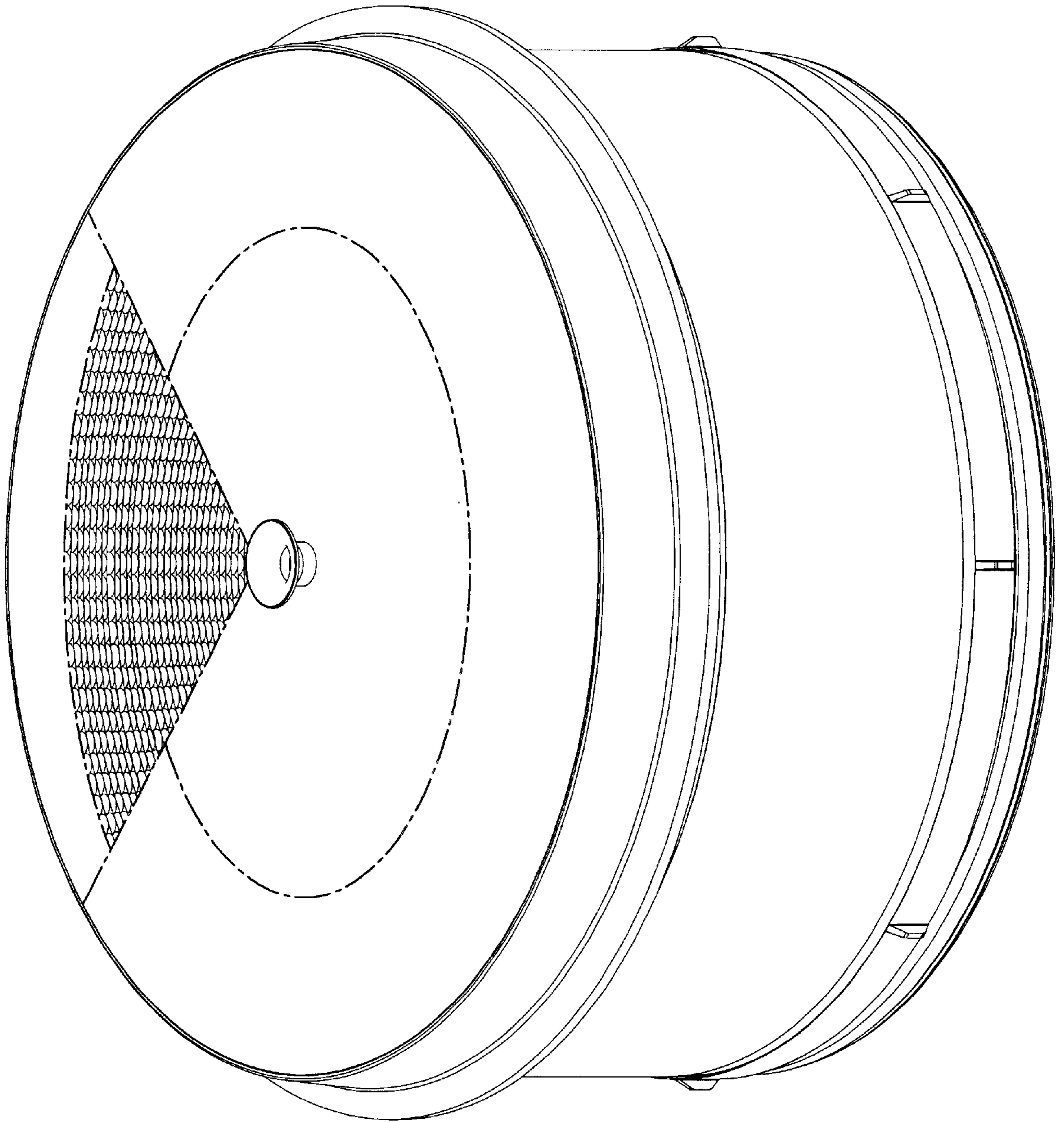


FIG. 1

FIG. 2



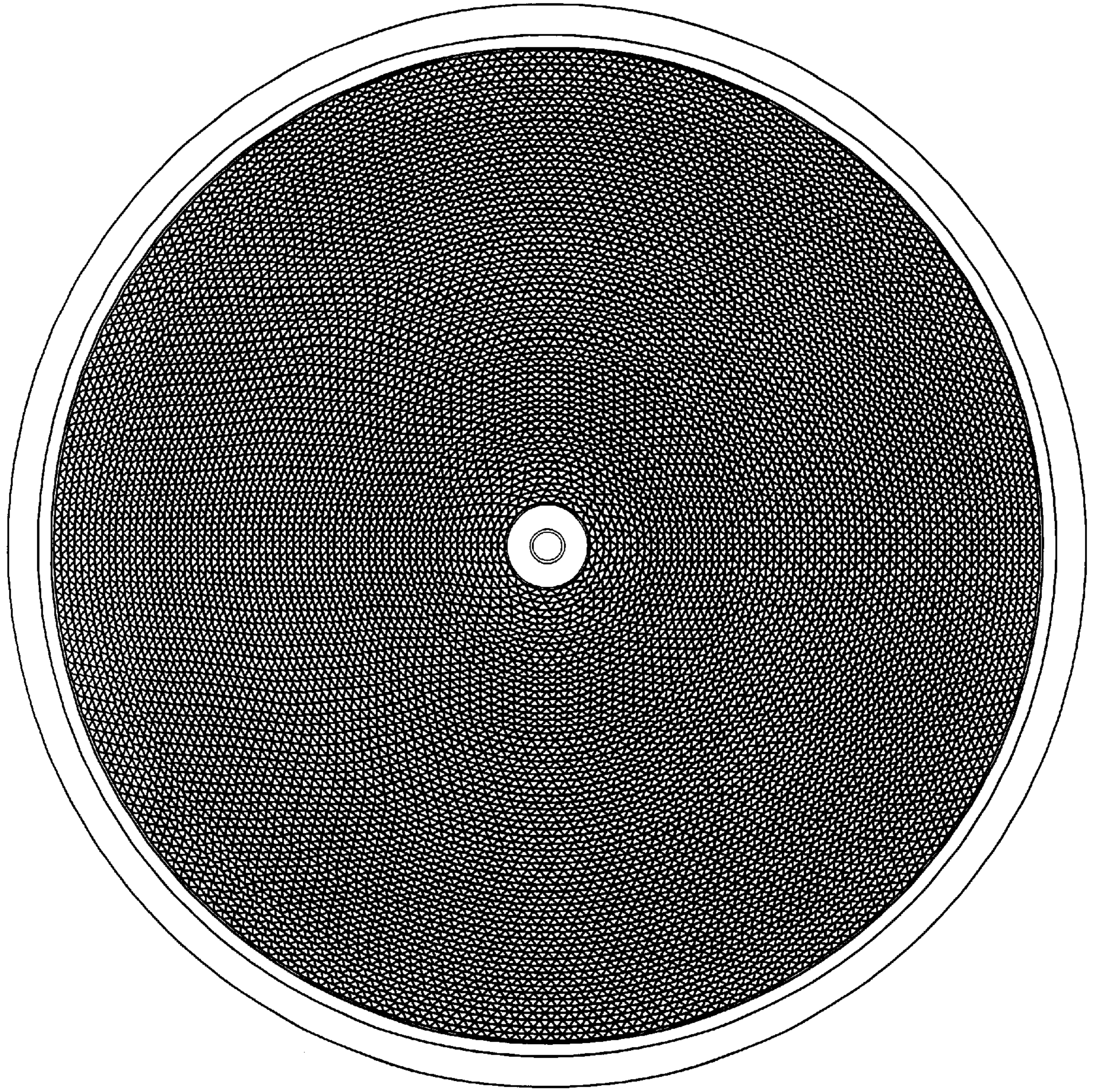


FIG. 3

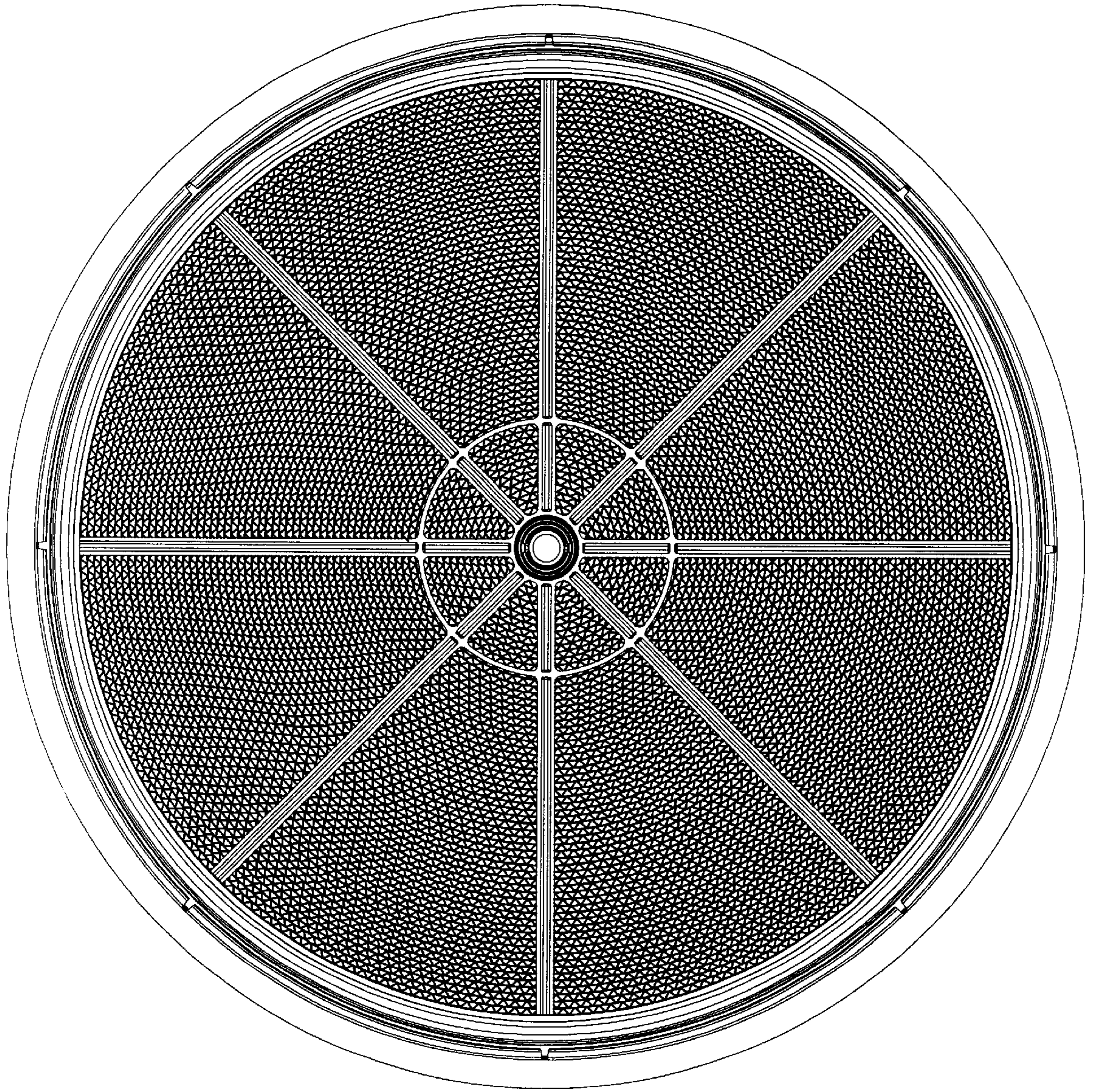


FIG. 4