



US00D464127S

(12) **United States Design Patent**  
**Paredes et al.**

(10) **Patent No.:** **US D464,127 S**

(45) **Date of Patent:** **\*\* Oct. 8, 2002**

(54) **SINK**

(75) Inventors: **Raul M. Paredes**, Kohler, WI (US);  
**Mark A. Romo**, Plymouth, WI (US)

(73) Assignee: **Kohler Co.**, Kohler, WI (US)

(\*\*) Term: **14 Years**

(21) Appl. No.: **29/152,981**

(22) Filed: **Dec. 21, 2001**

(51) **LOC (7) Cl.** ..... **23-02**

(52) **U.S. Cl.** ..... **D23/290**

(58) **Field of Search** ..... D23/284-287,  
D23/290, 293.1, 303, 308; 4/639-642, 649-652,  
661

(56) **References Cited**

**U.S. PATENT DOCUMENTS**

D324,908 S 3/1992 Sauter et al. .... D23/290  
D401,310 S \* 11/1998 Chang ..... D23/290

**OTHER PUBLICATIONS**

Undated Vance catalog ad showing kitchen sinks.  
Undated Elkay catalog ad showing a model #CR-3322  
Kitchen sink.  
Undated FHP catalog ad showing a kitchen sink.

\* cited by examiner

*Primary Examiner*—Louis S. Zarfes  
*Assistant Examiner*—Robert A. Delehanty

(74) *Attorney, Agent, or Firm*—Quarles & Brady LLP

(57) **CLAIM**

The ornamental design for a sink, as shown and described.

**DESCRIPTION**

In a preferred embodiment, the nature of this product is as a plumbing fixture primarily useful for washing food and implements therefor.

FIG. 1 is a left, top, front perspective view of a sink embodying our new design;

FIG. 2 is a top plan view thereof;

FIG. 3 is a front elevational view thereof, the rear elevational view being identical to the front elevational view shown;

FIG. 4 is a left side elevational view thereof, the right side elevational view being a mirror image of the left side shown;

FIG. 5 is a bottom plan view thereof;

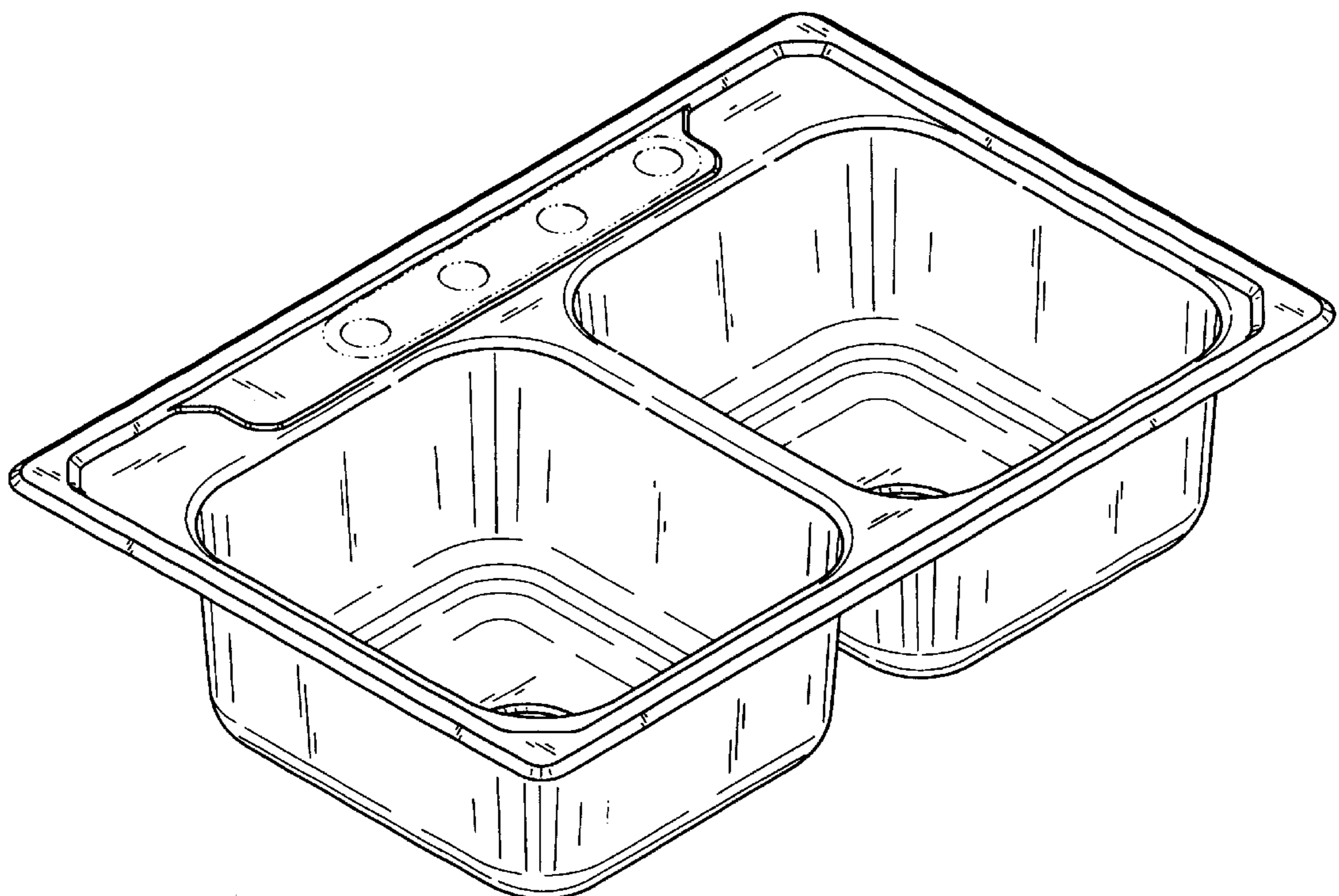
FIG. 6 is a left, top, front perspective view of a second embodiment, the top plan view thereof being identical to that shown in FIG. 2, and the bottom plan view thereof being identical to that shown in FIG. 5;

FIG. 7 is a front elevational view thereof, the rear elevational view being identical to the front elevational view shown; and,

FIG. 8 is a left side elevational view thereof, the right side elevational view being a mirror image of the left side shown.

The broken line representations of holes in FIGS. 1, 2, 5, and 6, of a fitting shelf in FIGS. 1, 2, and 6, and of finishing structure in FIG. 5, are for the purpose of illustration only, and form no part of the claimed design.

**1 Claim, 5 Drawing Sheets**



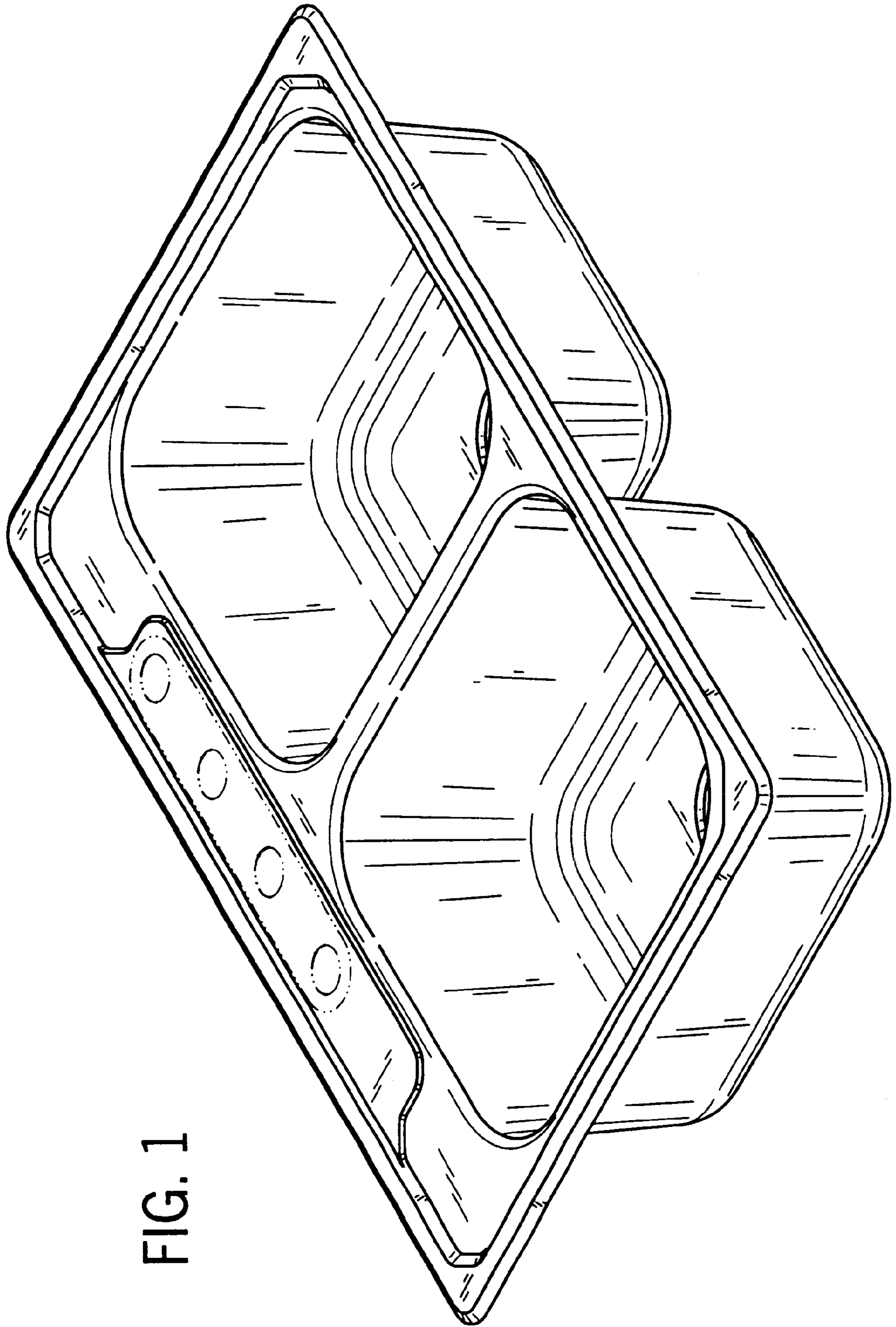


FIG. 1

FIG. 2

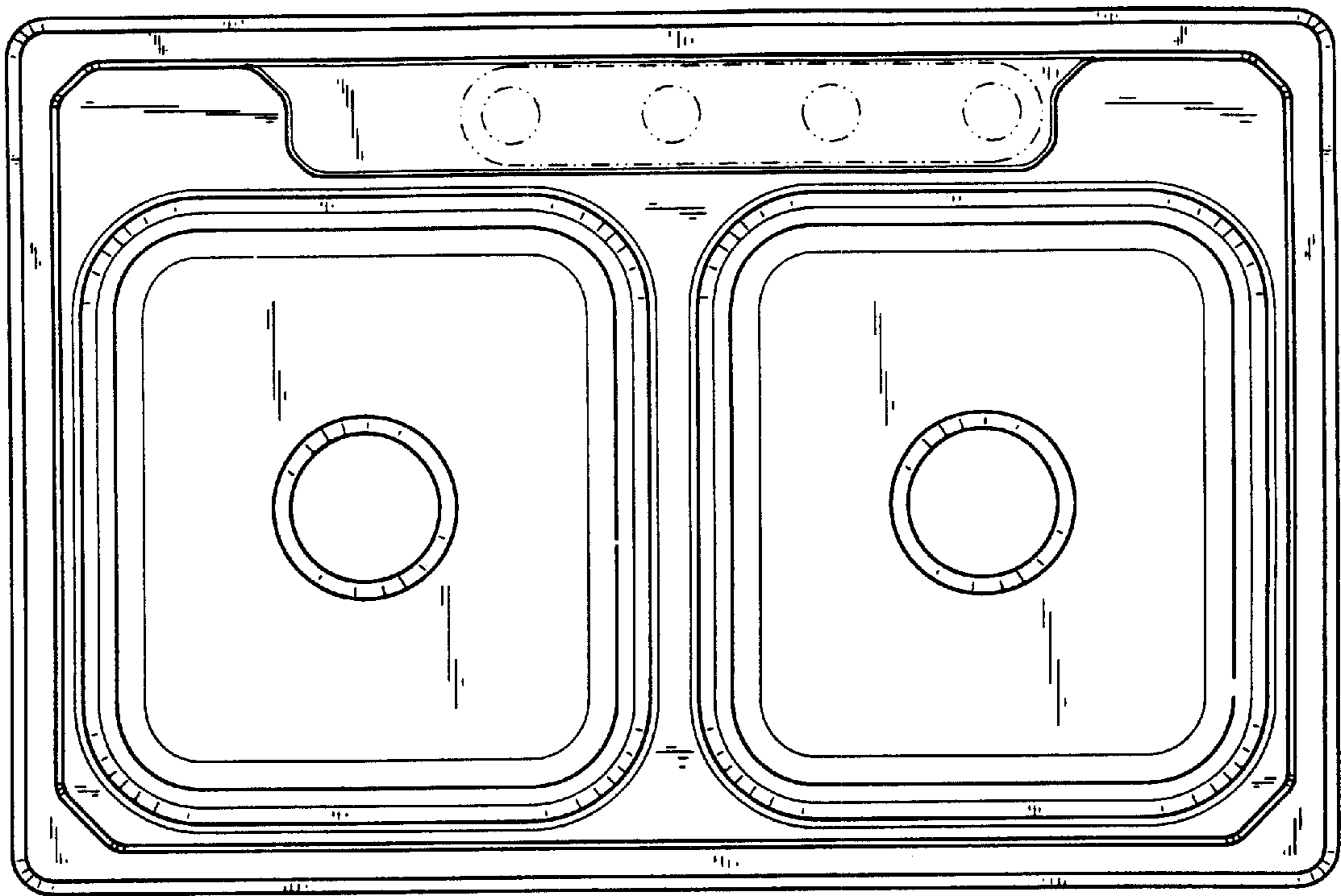


FIG. 3

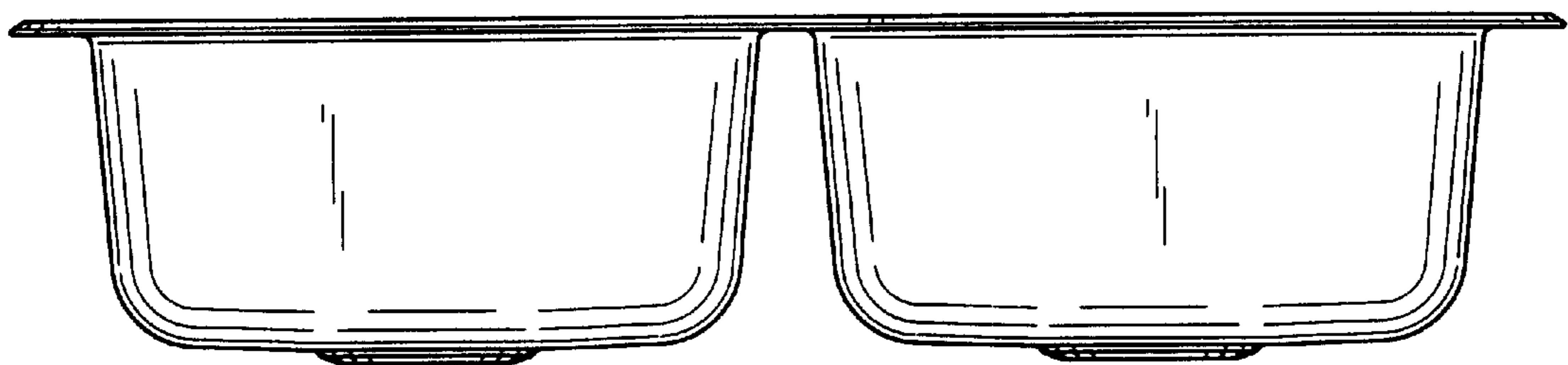


FIG. 4

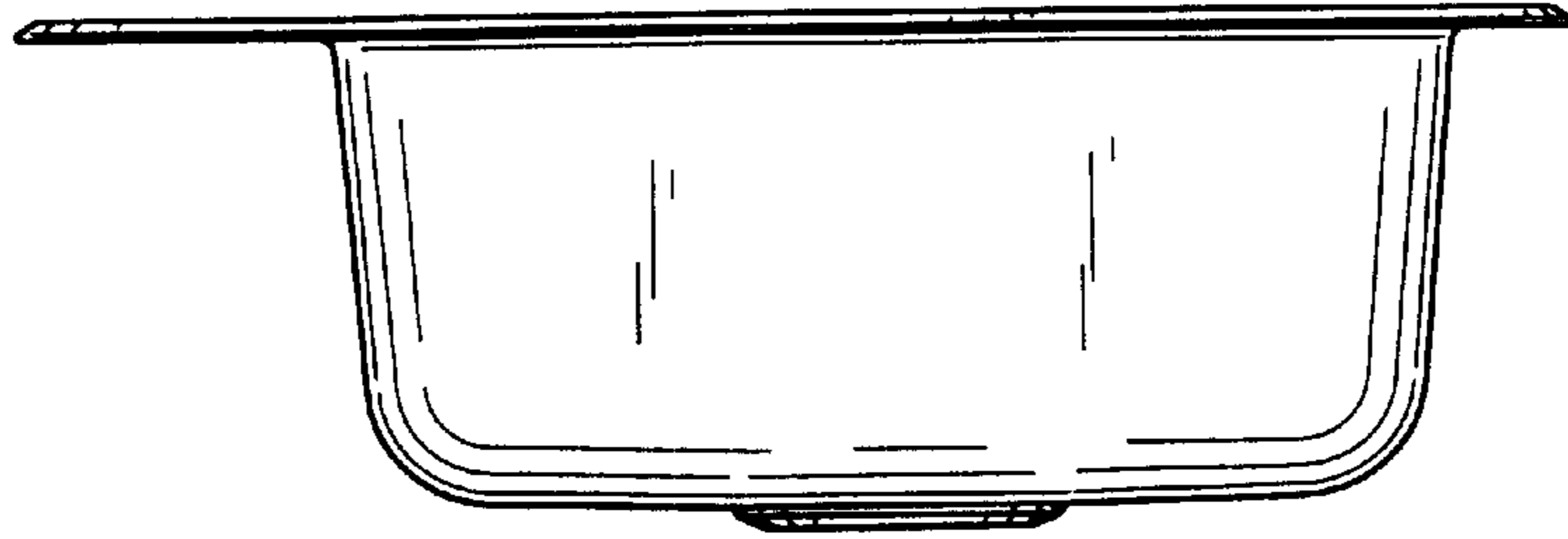
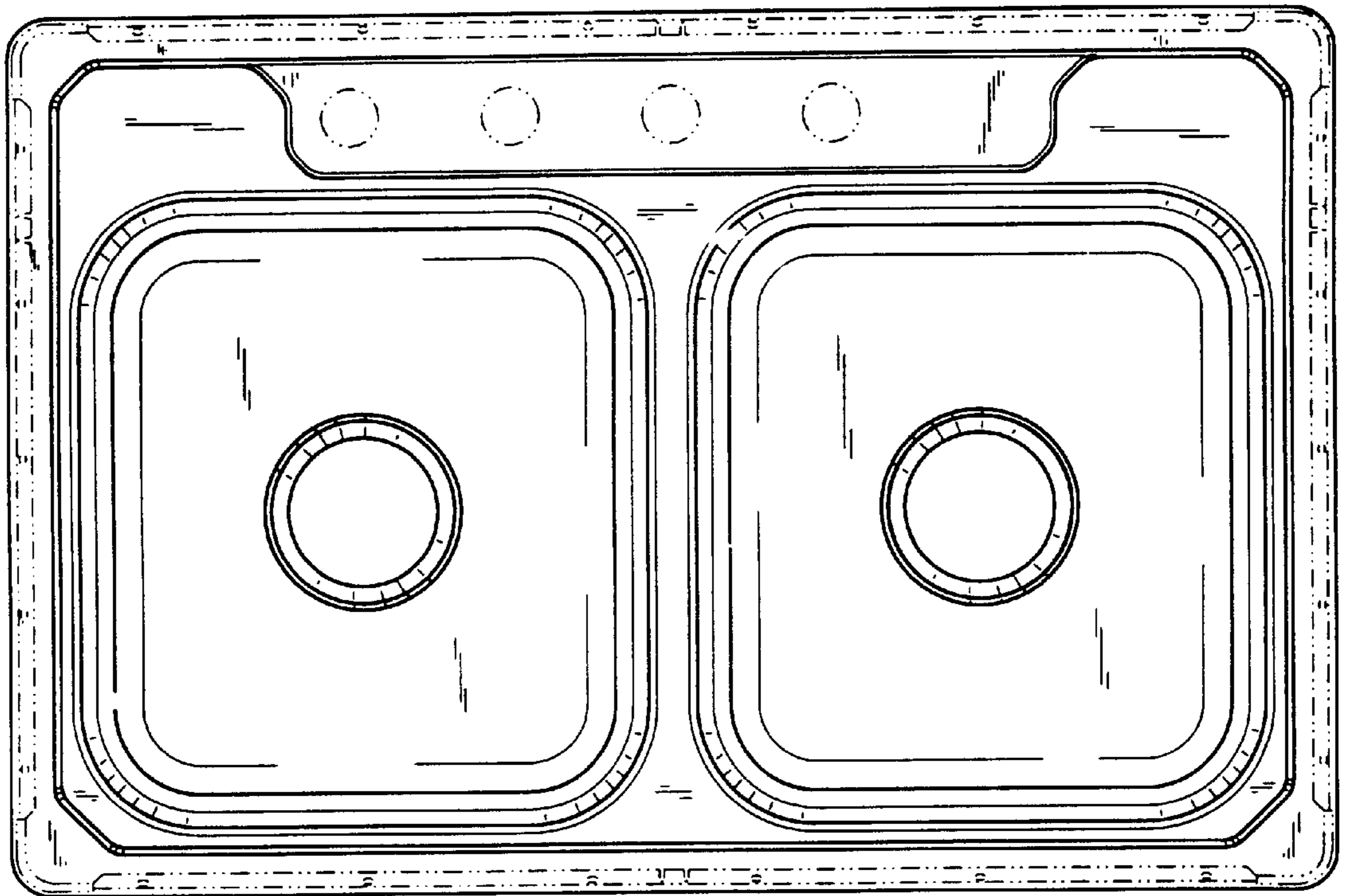


FIG. 5



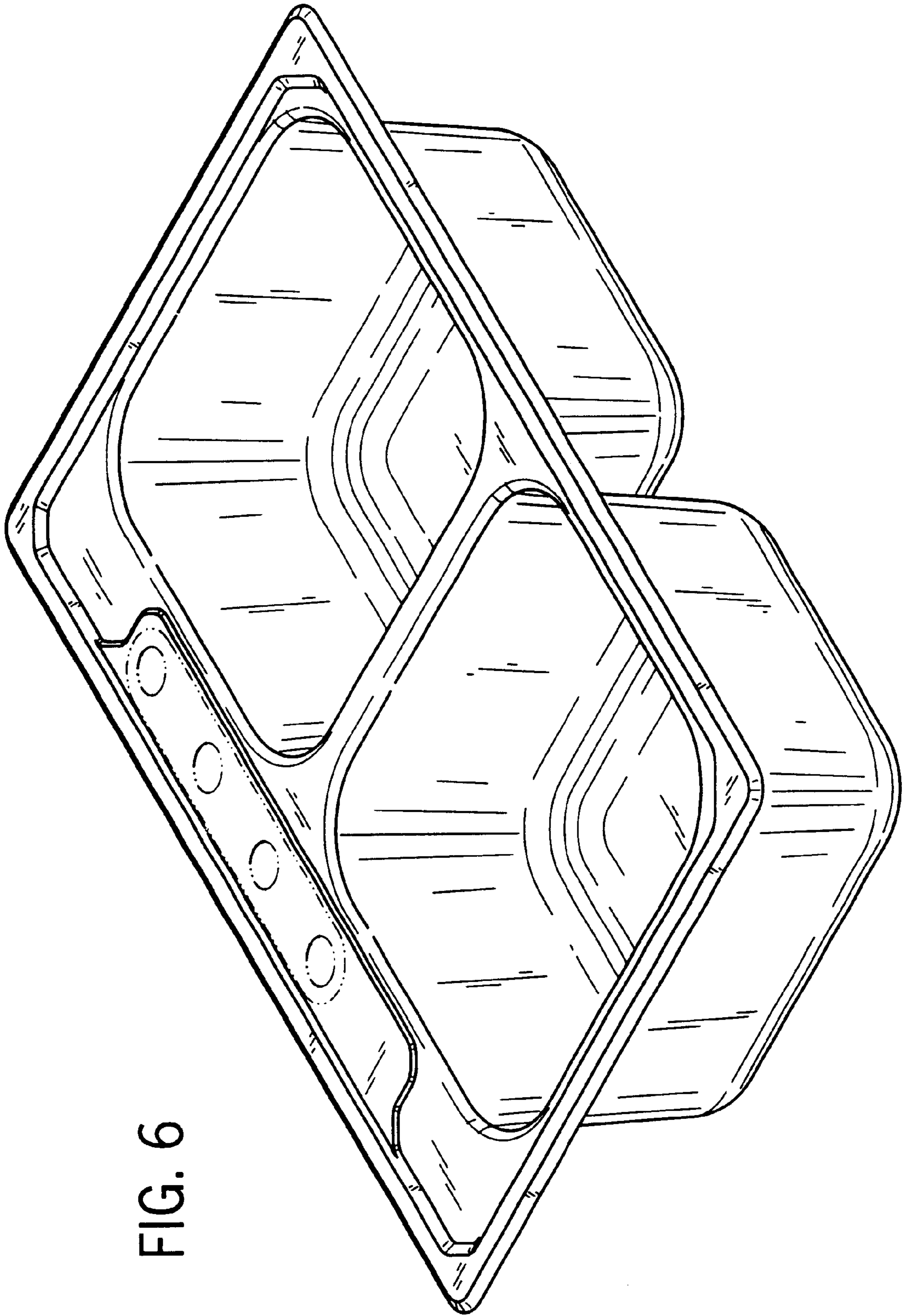


FIG. 6

FIG. 7

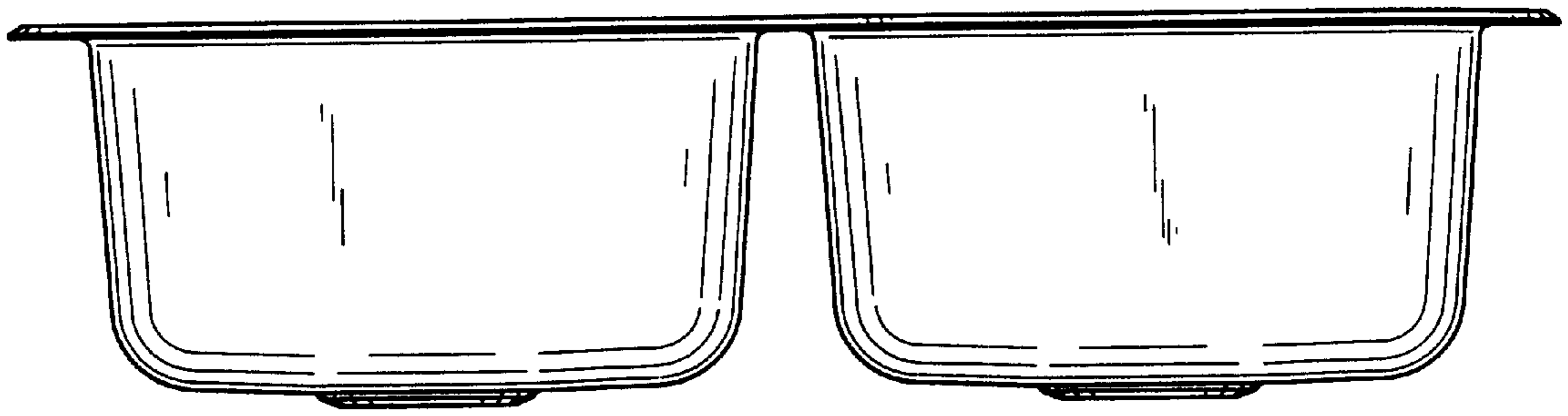


FIG. 8

