



US00D464126S

(12) **United States Design Patent**
Bayer et al.

(10) **Patent No.:** **US D464,126 S**

(45) **Date of Patent:** **** Oct. 8, 2002**

(54) **SINK**

(75) Inventors: **Michelle E. Bayer**, Plymouth, WI (US); **Mark A. Romo**, Plymouth, WI (US)

(73) Assignee: **Kohler Co.**, Kohler, WI (US)

(**) Term: **14 Years**

(21) Appl. No.: **29/152,562**

(22) Filed: **Dec. 20, 2001**

(51) **LOC (7) Cl.** **23-02**

(52) **U.S. Cl.** **D23/290**

(58) **Field of Search** D23/284-287,
D23/290, 293.1, 303, 308; 4/639-642, 649-652,
661

(56) **References Cited**

U.S. PATENT DOCUMENTS

D324,909	*	3/1992	Sauter et al.	D23/290
D351,221		10/1994	Berge et al.	D23/290
D353,880	*	12/1994	Hauser, II	D23/290
D395,699		6/1998	Hundley	D23/290
D398,970		9/1998	Gardner et al.	D23/290
D402,358		12/1998	Bonnell	D23/290

OTHER PUBLICATIONS

Undated Maax catalog ad showing a model #P2225 sink.

* cited by examiner

Primary Examiner—Louis S. Zarfes

Assistant Examiner—Robert A. Delehanty

(74) *Attorney, Agent, or Firm*—Quarles & Brady LLP

(57) **CLAIM**

The ornamental design for a sink, as shown and described.

DESCRIPTION

In a preferred embodiment, the nature of this product is as a plumbing fixture primarily useful for washing food and implements therefor.

FIG. 1 is a left, top, front perspective view of a sink embodying our new design;

FIG. 2 is a top plan view thereof;

FIG. 3 is a front elevational view thereof;

FIG. 4 is a left side elevational view thereof, the right side elevational view being a mirror image of the left side shown;

FIG. 5 is a rear elevational view thereof;

FIG. 6 is a bottom plan view thereof; and,

FIG. 7 is a right, top, front perspective view of a second embodiment, the top plan view thereof being a mirror image of that shown in FIG. 2, the front elevational view thereof being a mirror image of that shown in FIG. 3, the left side elevational view thereof being identical to that shown in FIG. 4, the right side elevational view thereof being a mirror image of that shown in FIG. 4, the rear elevational view thereof being a mirror image of that shown in FIG. 5, and the bottom plan view thereof being a mirror image of that shown in FIG. 6.

The broken line representations of holes in FIGS. 1, 2, 6, and 7, of a fitting shelf in FIGS. 1, 2, and 7, and of finishing structure in FIG. 6, are for the purpose of illustration only, and form no part of the claimed design.

1 Claim, 3 Drawing Sheets

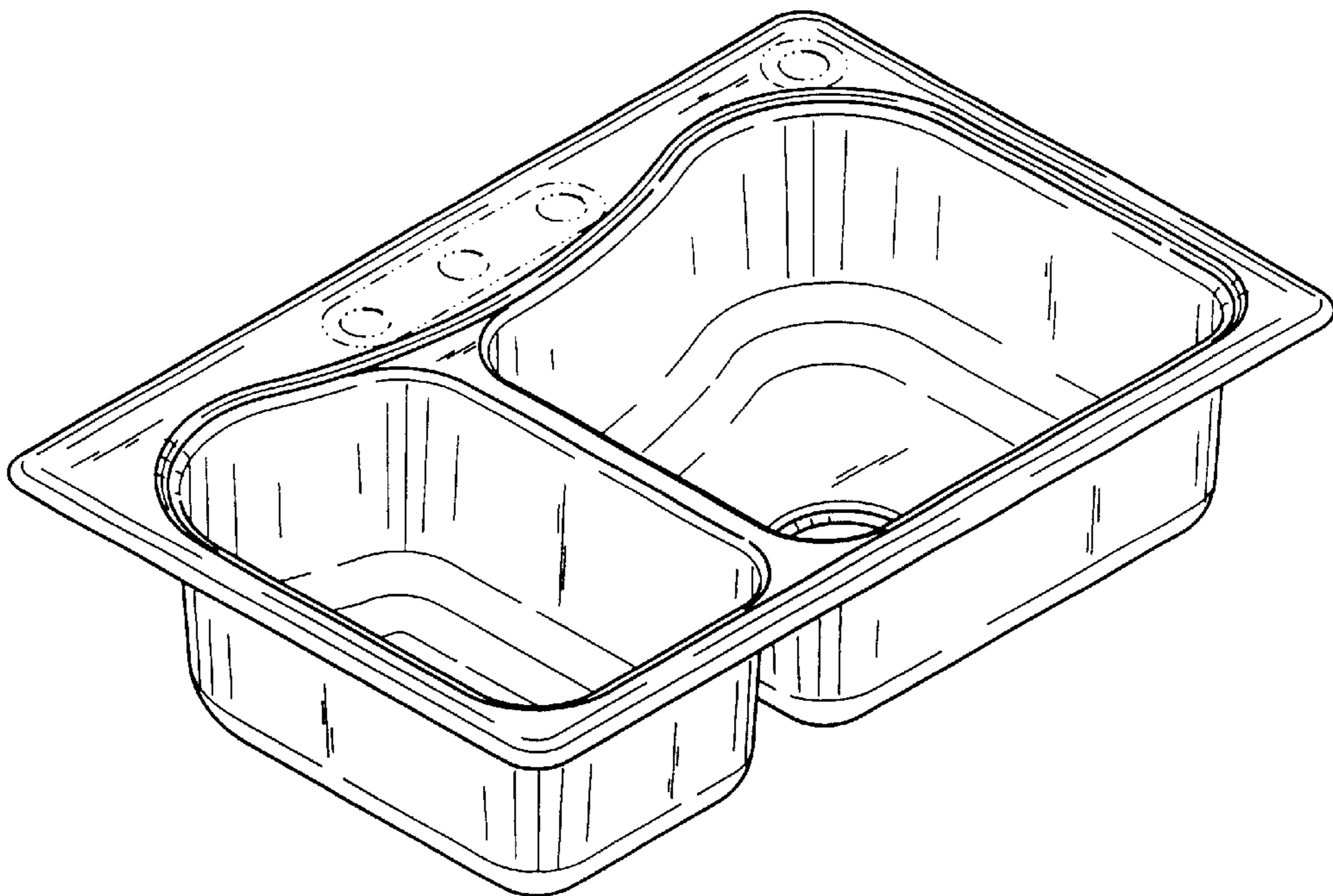


FIG. 1

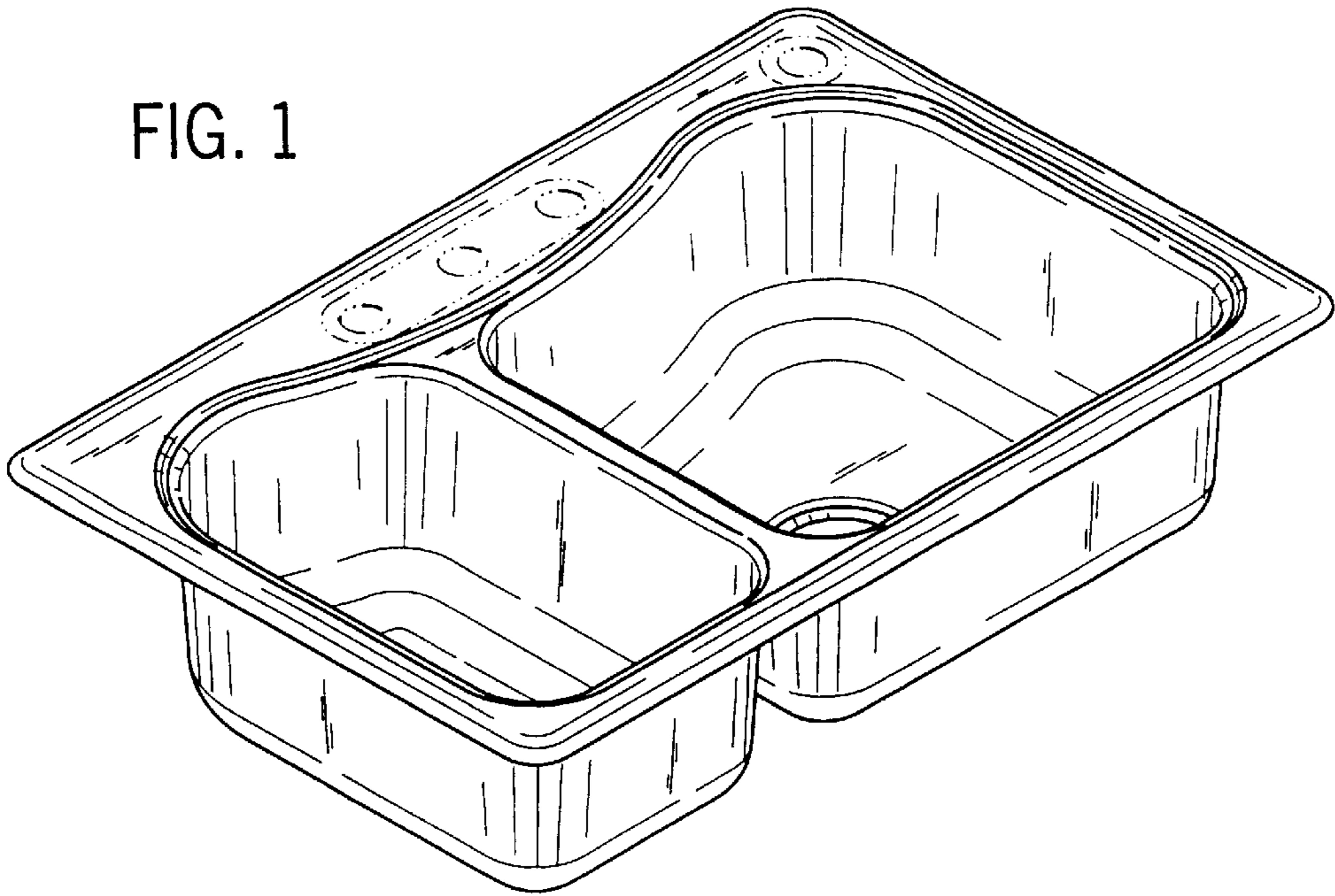


FIG. 2

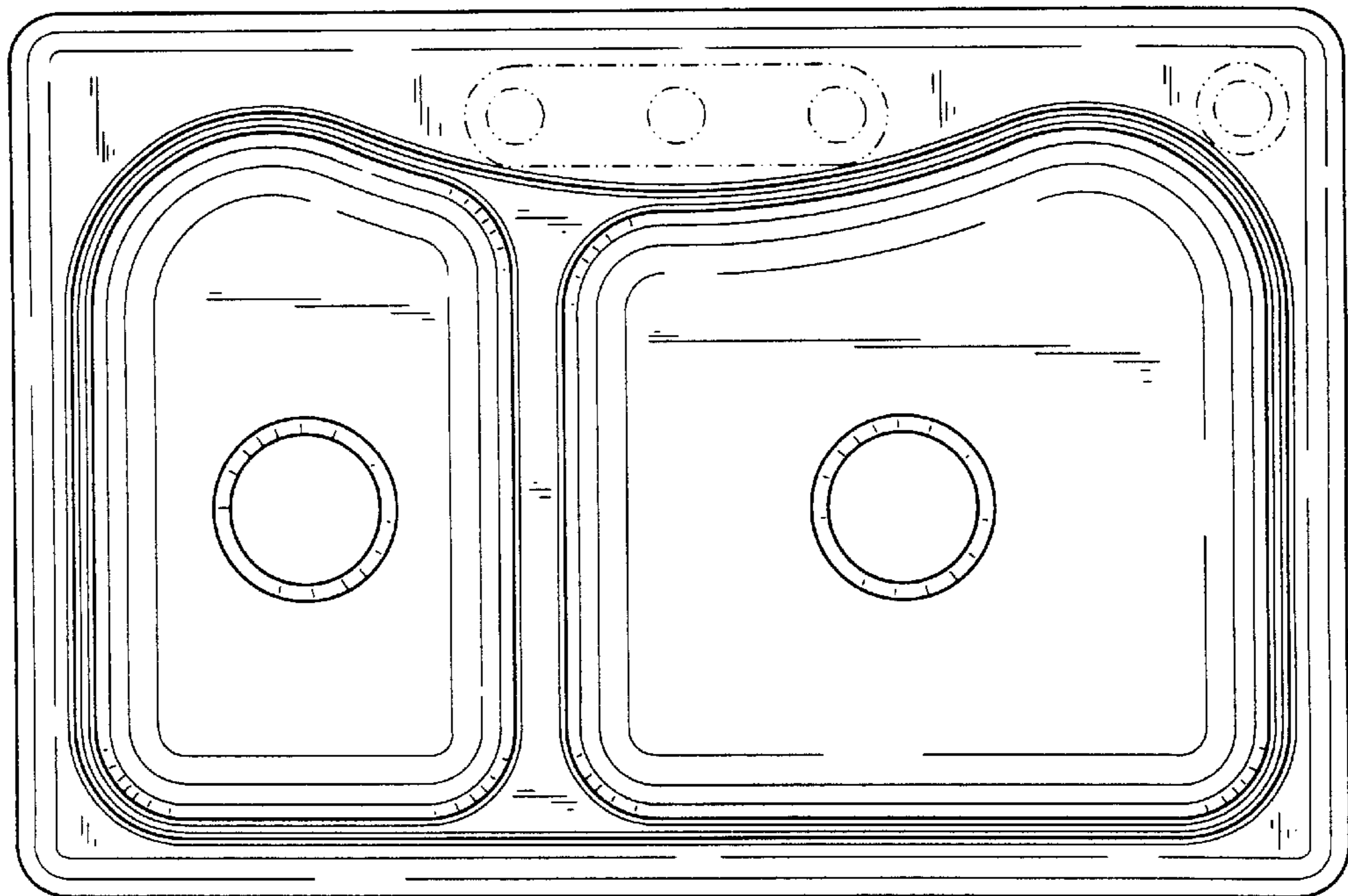


FIG. 3

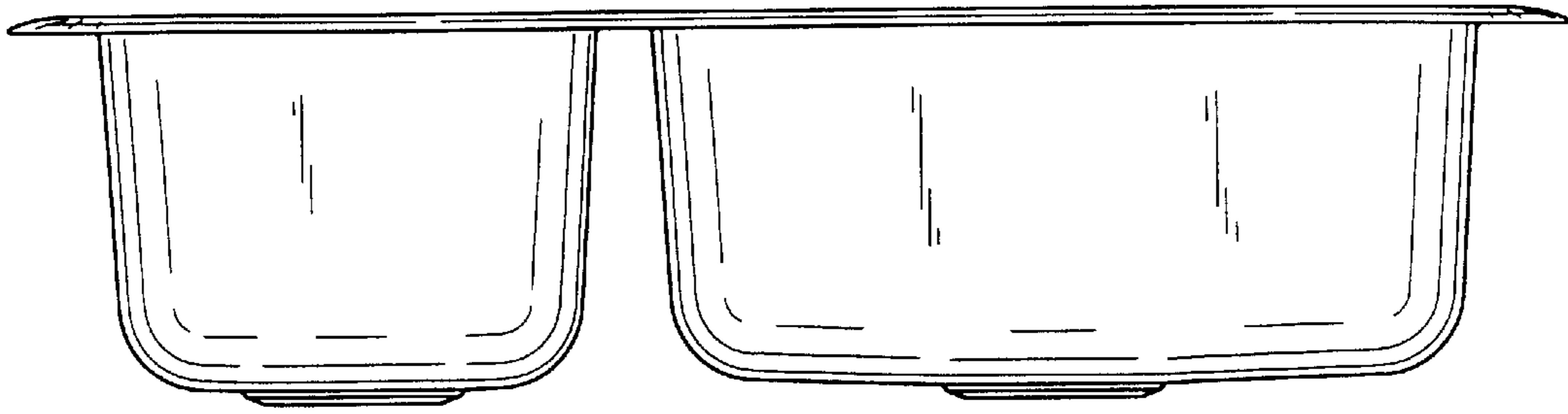


FIG. 4

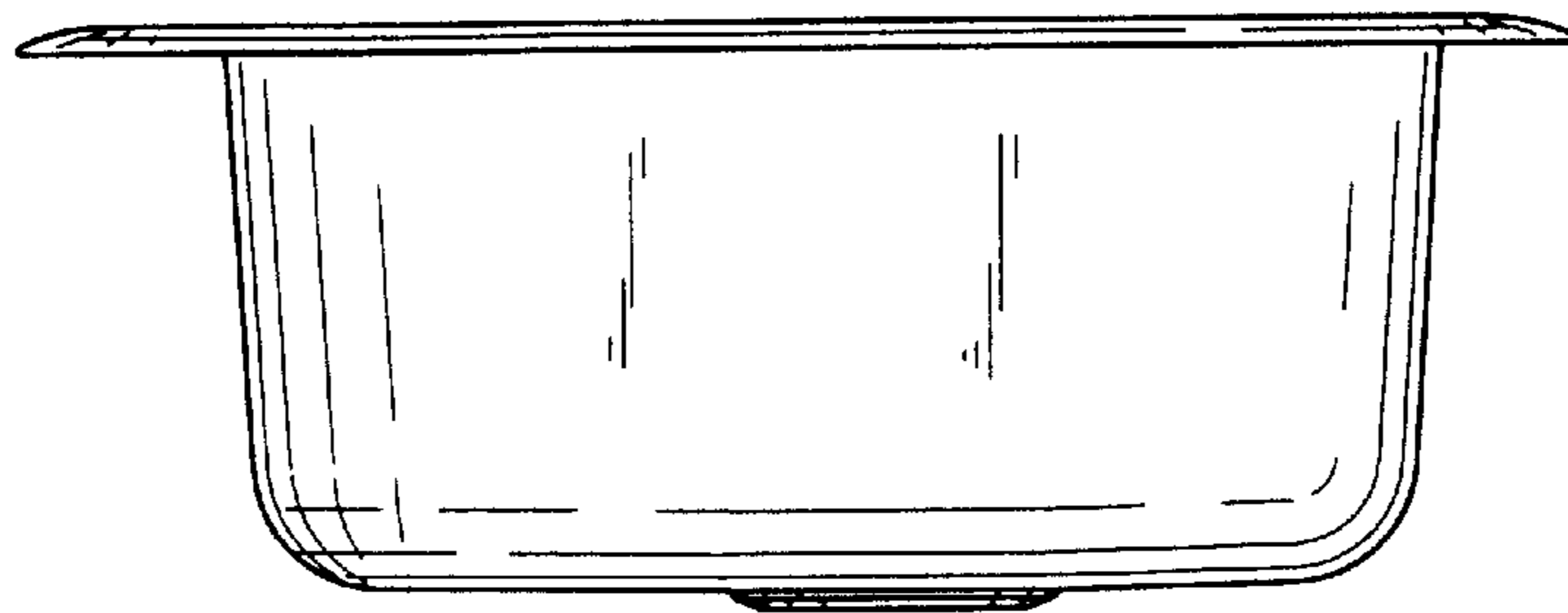


FIG. 5

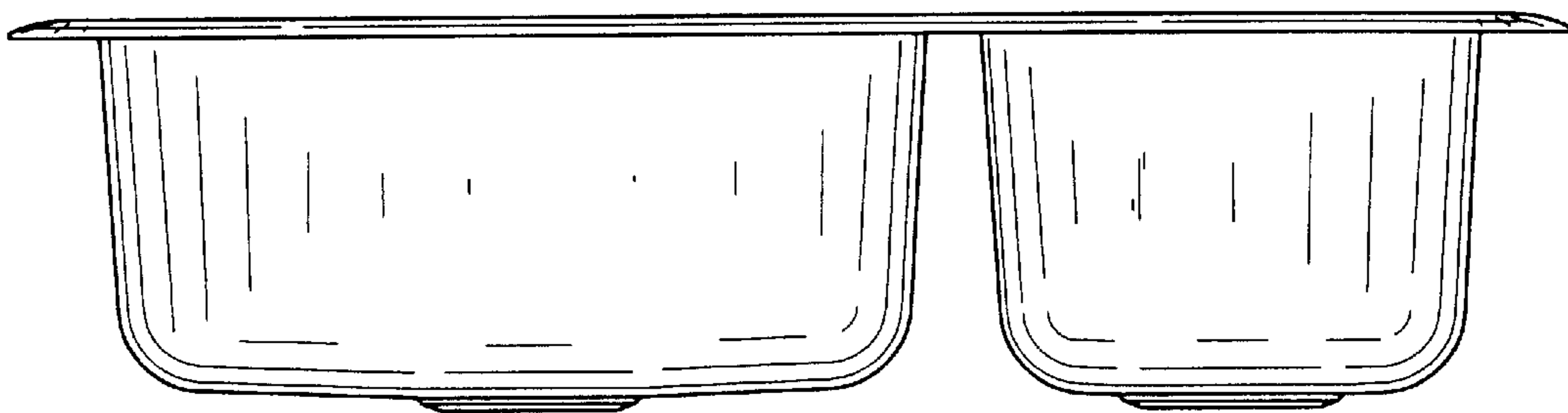


FIG. 6

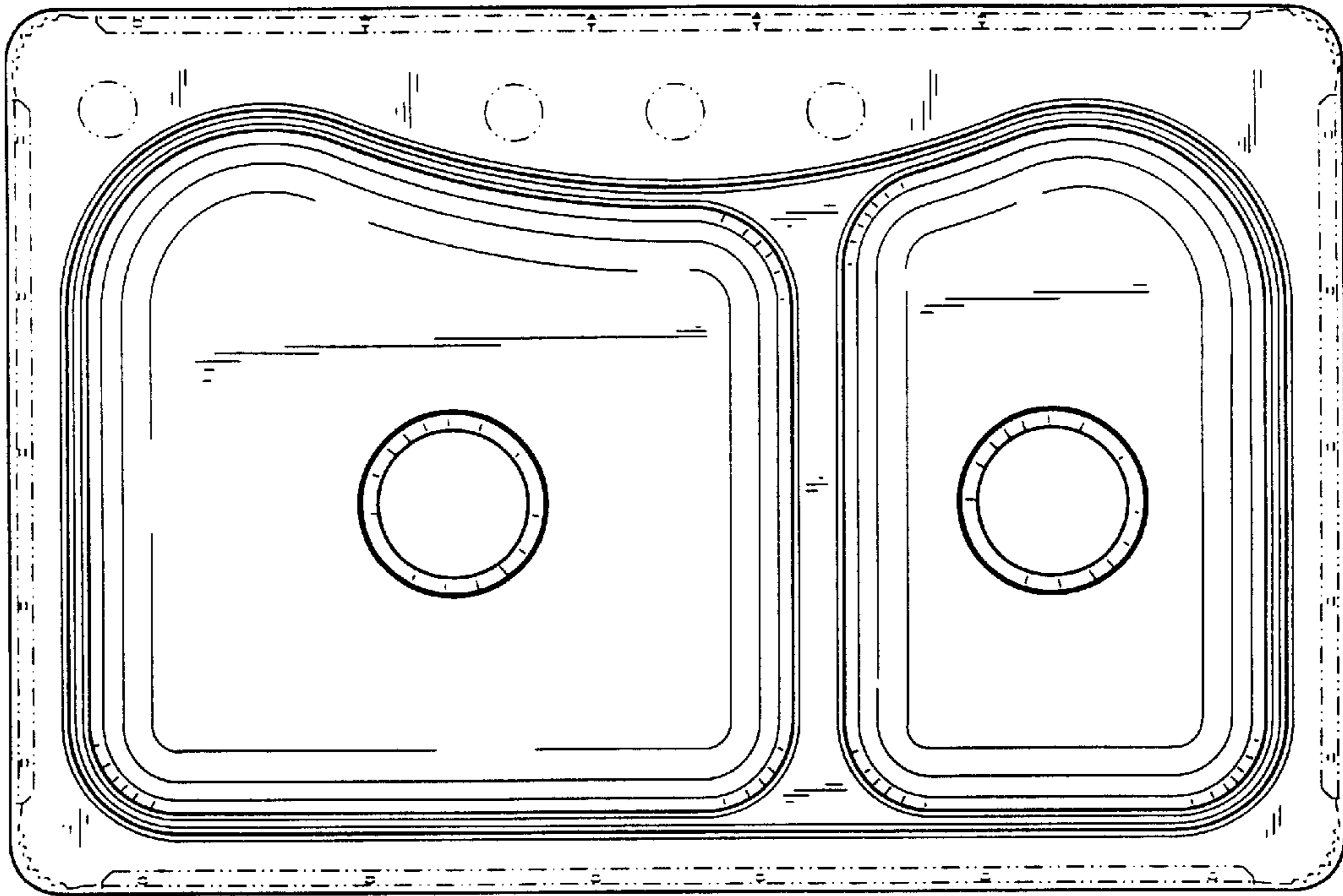


FIG. 7

