



US00D464124S

(12) **United States Design Patent**  
**Paredes et al.**

(10) **Patent No.:** **US D464,124 S**

(45) **Date of Patent:** **\*\* Oct. 8, 2002**

(54) **SINK**

(75) Inventors: **Raul M. Paredes**, Kohler, WI (US);  
**Mark A. Romo**, Plymouth, WI (US)

(73) Assignee: **Kohler Co.**, Kohler, WI (US)

(\*\*) Term: **14 Years**

(21) Appl. No.: **29/152,983**

(22) Filed: **Dec. 21, 2001**

(51) **LOC (7) Cl.** ..... **23-02**

(52) **U.S. Cl.** ..... **D23/284**

(58) **Field of Search** ..... D23/271, 273,  
D23/284-287, 289-292, 293.1, 303, 308;  
4/619-620, 624-628, 630-635, 637-643,  
647-652, 661

(56) **References Cited**

**U.S. PATENT DOCUMENTS**

D324,908	3/1992	Sauter et al. ....	D23/290
D354,119	1/1995	Hauser, II ....	D23/284
D398,706	9/1998	Gardner et al. ....	D23/290

**OTHER PUBLICATIONS**

- Single Bowl Sink, item 7043.011, American Standard, 1988, revised Mar. 1993.\*
- Undated Vance catalog ad showing kitchen sinks.
- Undated Elkay catalog ad showing a model #CR-3322 Kitchen sink.
- Undated FHP catalog ad showing a kitchen sink.

\* cited by examiner

*Primary Examiner*—Louis S. Zarfaz  
*Assistant Examiner*—Robert A. Delehanty  
(74) *Attorney, Agent, or Firm*—Quarles & Brady LLP

(57) **CLAIM**

The ornamental design for a sink, as shown and described.

**DESCRIPTION**

In a preferred embodiment, the nature of this product is as a plumbing fixture primarily useful for washing food and implements therefor.

FIG. 1 is a left, top, front perspective view of a sink embodying our new design;

FIG. 2 is a top plan view thereof;

FIG. 3 is a front elevational view thereof, the rear elevational view being identical to the front elevational view shown;

FIG. 4 is a left side elevational view thereof, the right side elevational view being a mirror image of the left side shown;

FIG. 5 is a bottom plan view thereof;

FIG. 6 is a left, top, front perspective view of a second embodiment, the top plan view thereof being identical to that shown in FIG. 2, and the bottom plan view thereof being identical to that shown in FIG. 5;

FIG. 7 is a front elevational view thereof, the rear elevational view being identical to the front elevational view shown; and,

FIG. 8 is a left side elevational view thereof, the right side elevational view being a mirror image of the left side shown.

The broken line representations of holes in FIGS. 1, 2, 5, and 6, of a fitting shelf in FIGS. 1, 2, and 6, and of finishing structure in FIG. 5, are for the purpose of illustration only, and form no part of the claimed design.

**1 Claim, 3 Drawing Sheets**

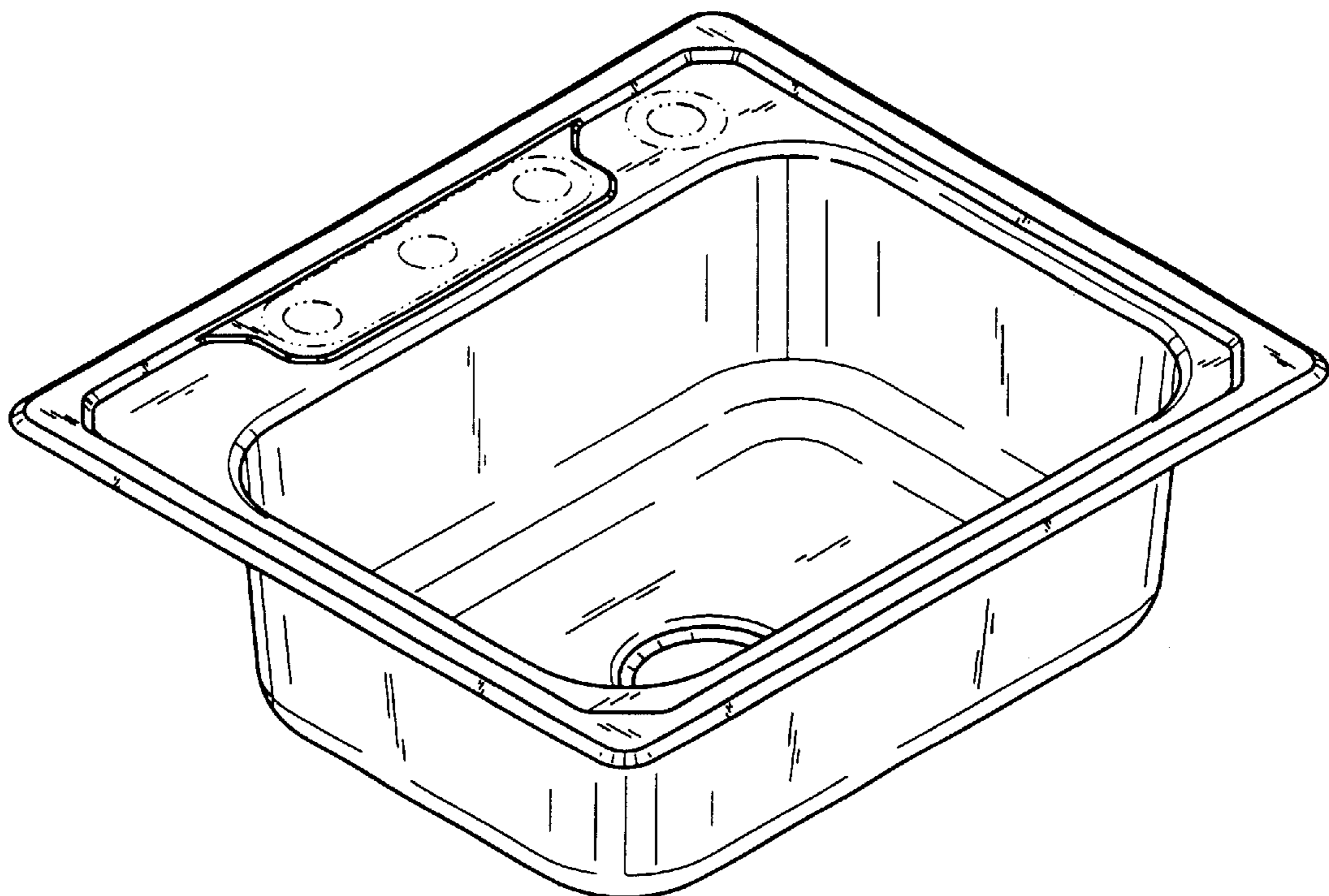


FIG. 1

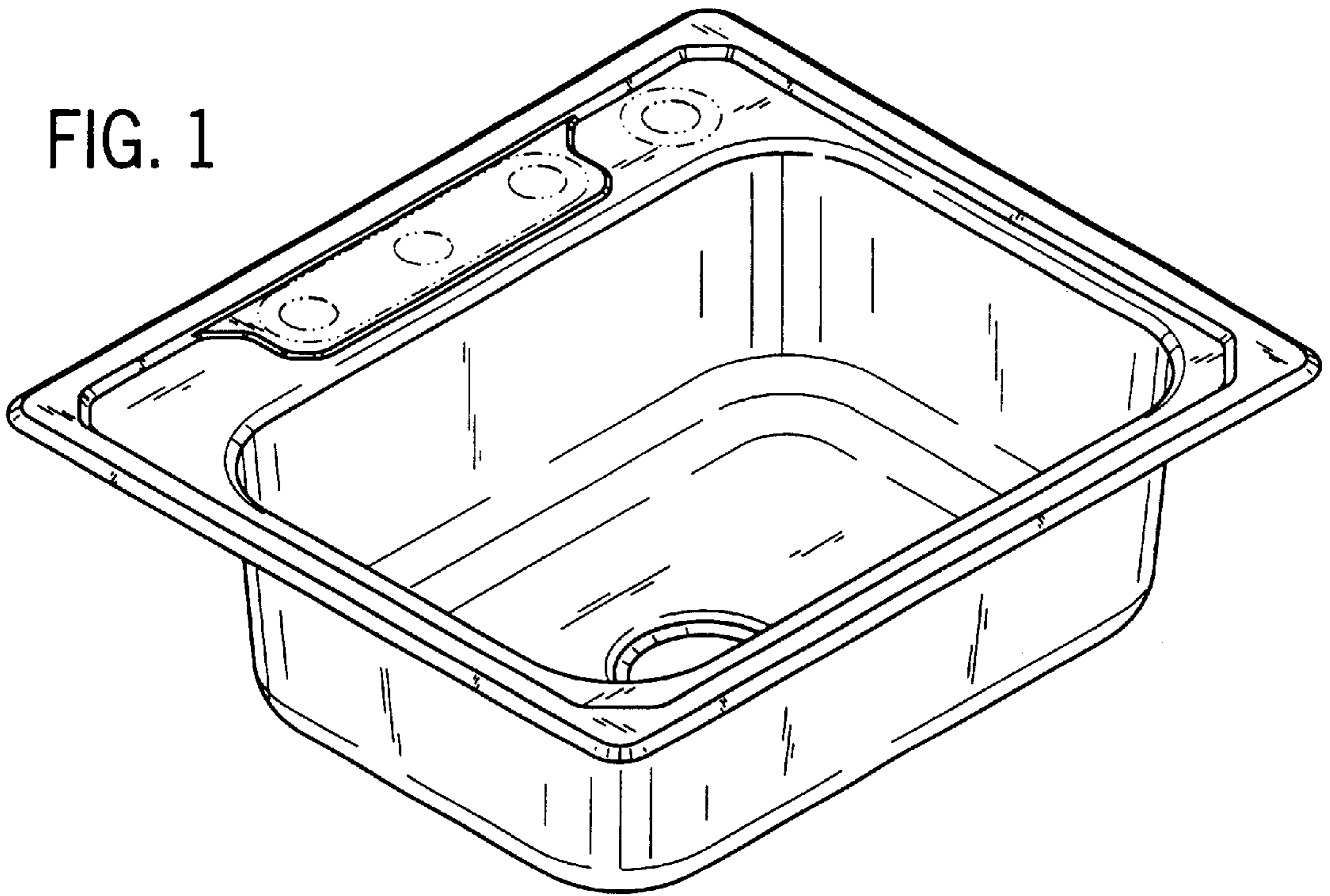


FIG. 2

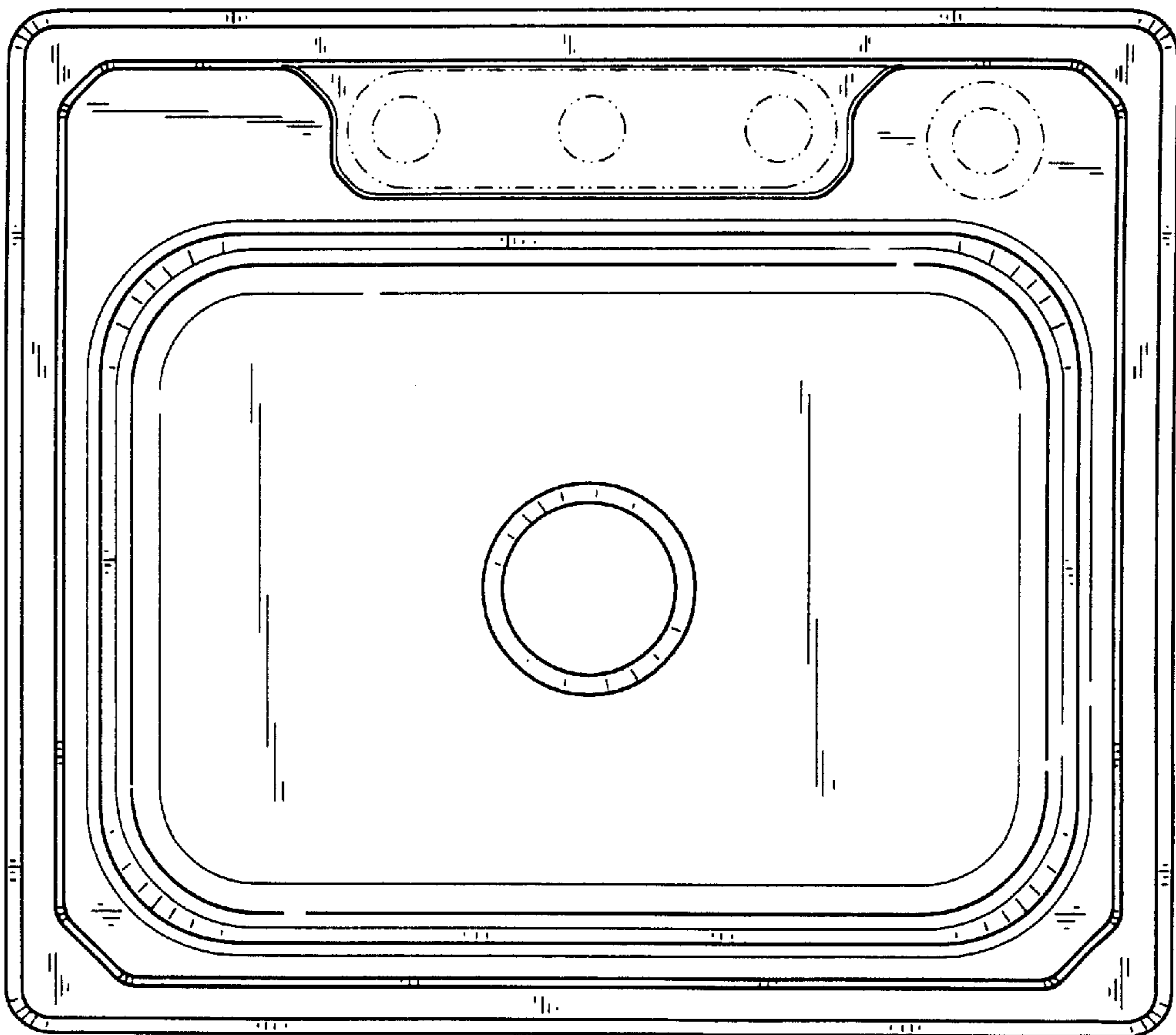


FIG. 3

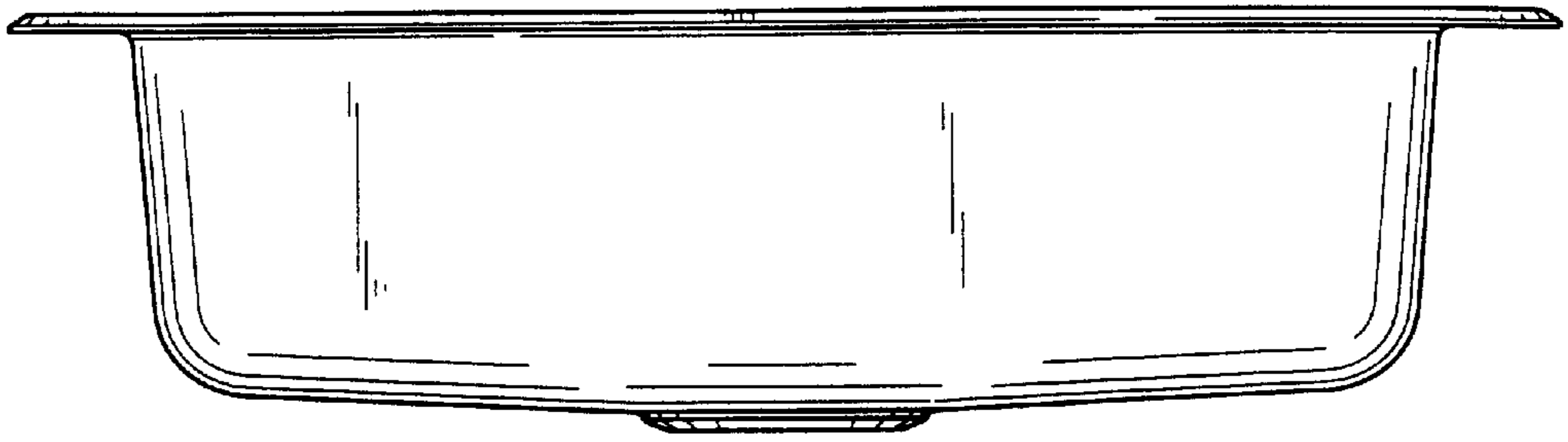


FIG. 4

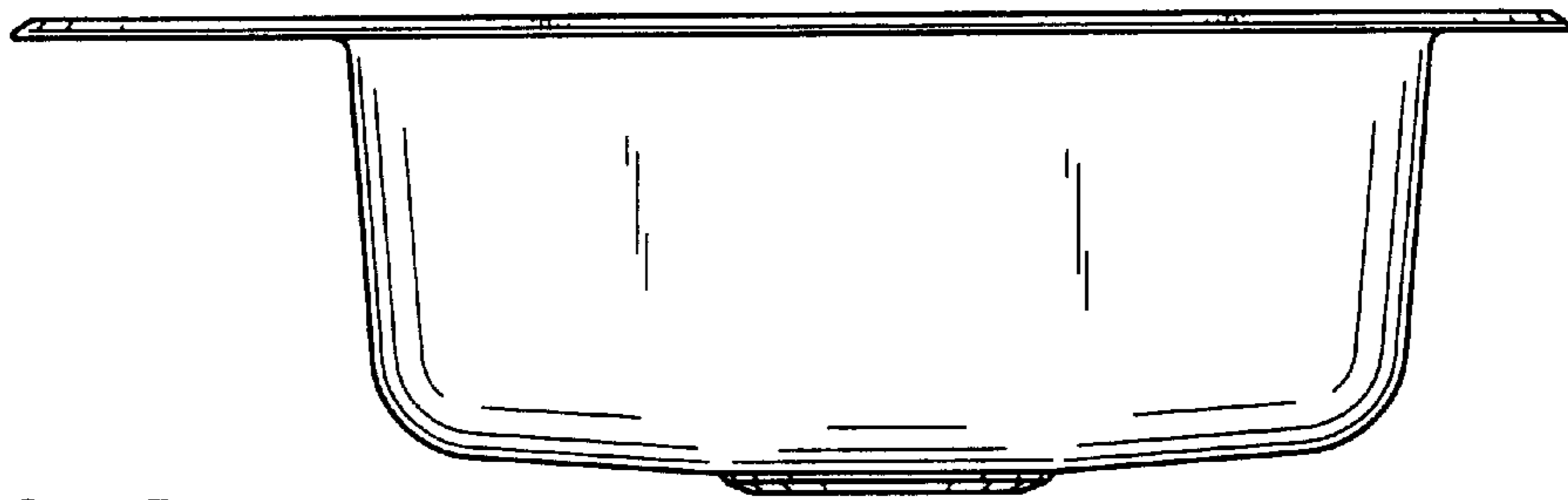


FIG. 5

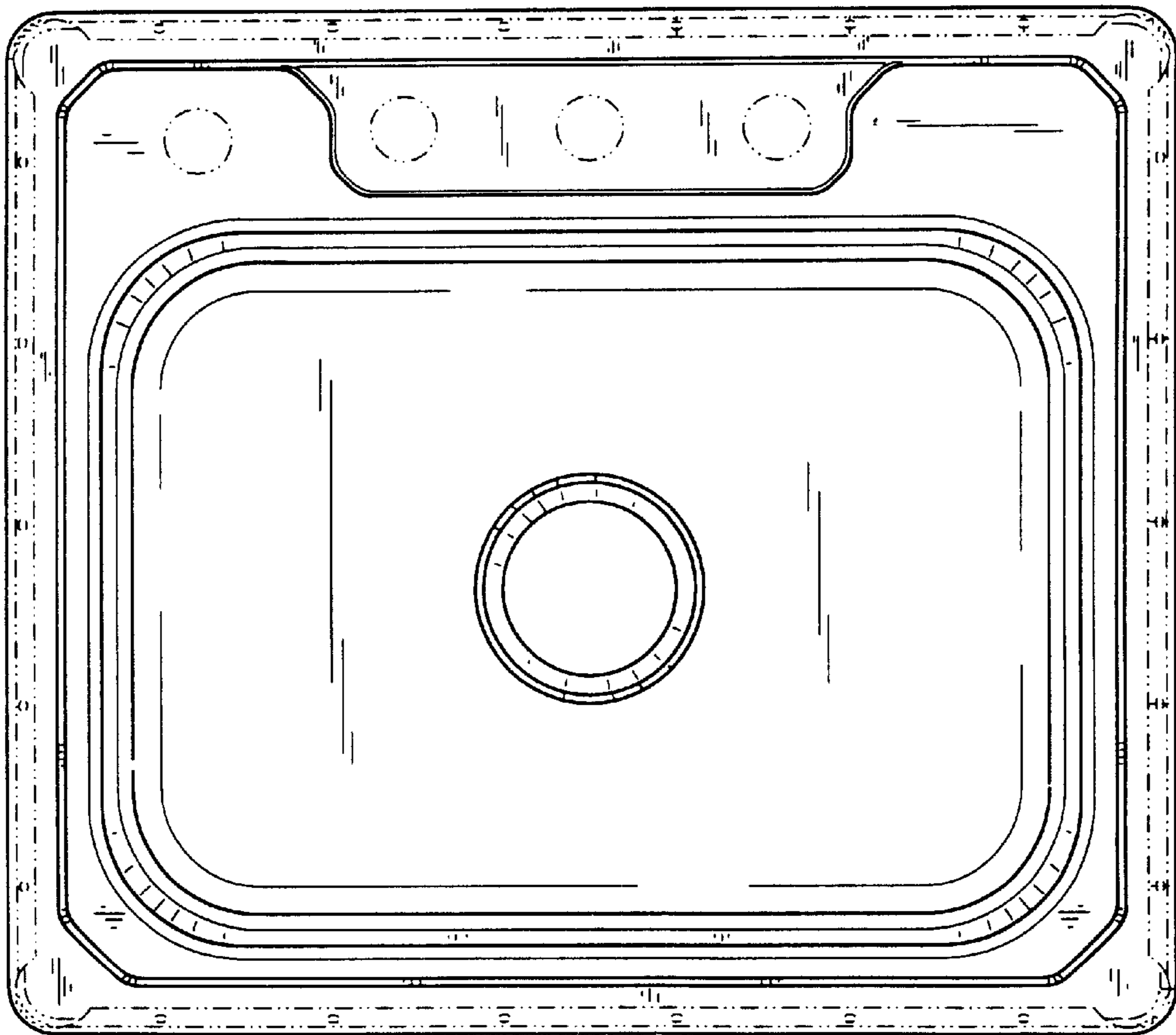


FIG. 6

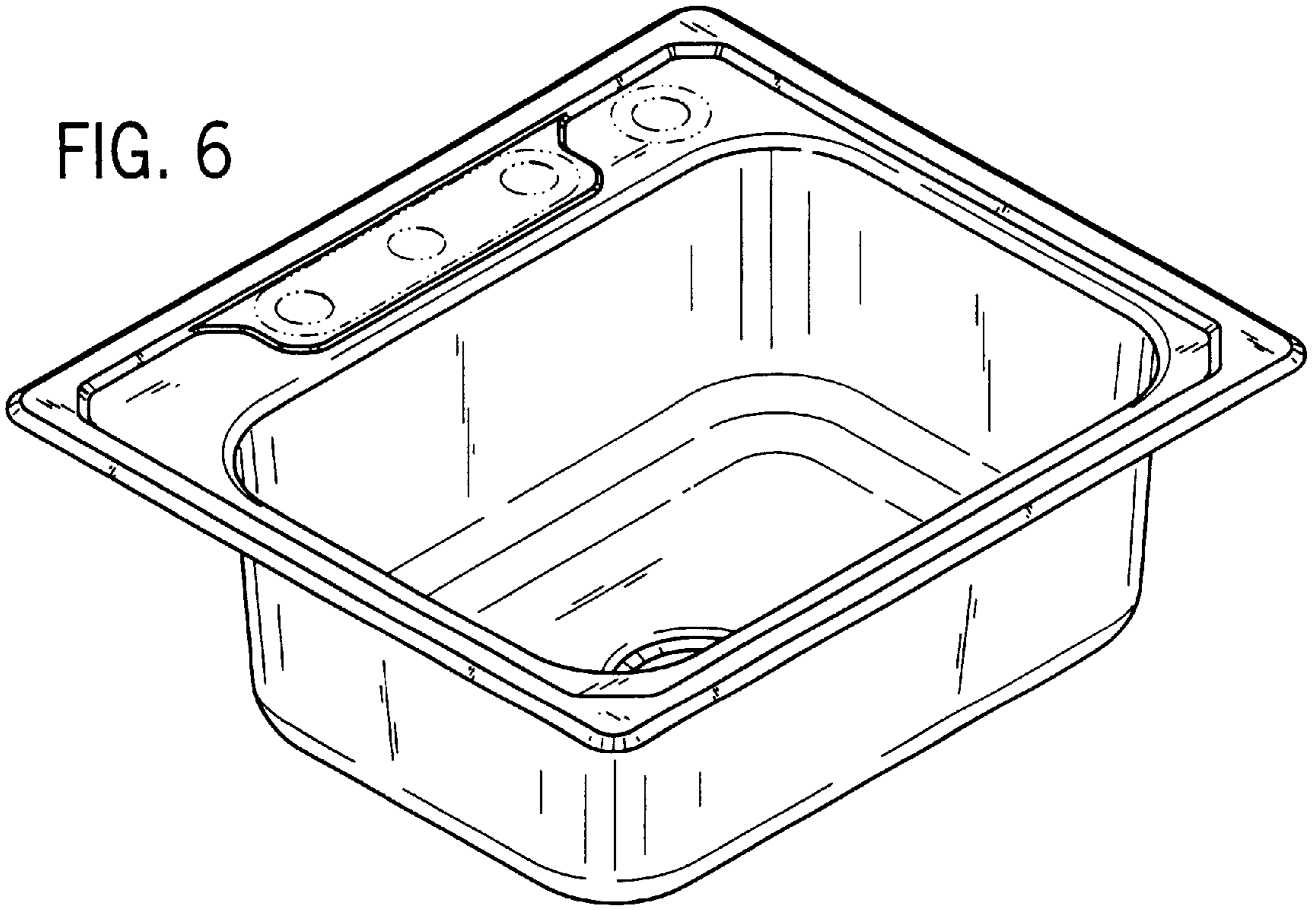


FIG. 7

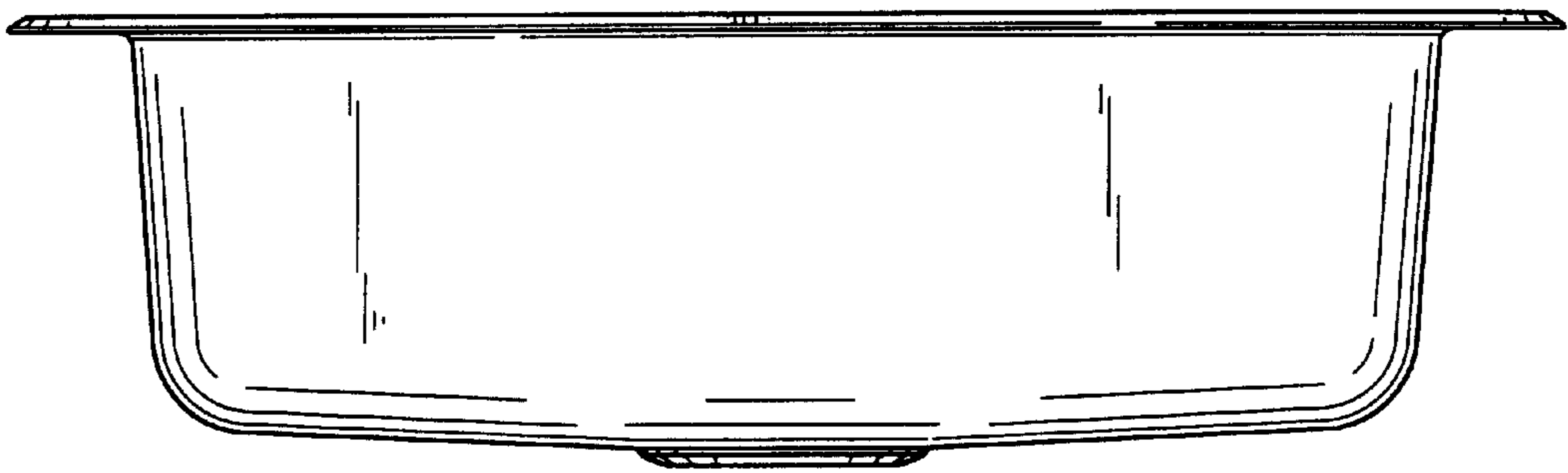


FIG. 8

