



US00D464123S

(12) **United States Design Patent**
Paredes et al.

(10) **Patent No.:** **US D464,123 S**
(45) **Date of Patent:** **** Oct. 8, 2002**

(54) **SINK**

(75) Inventors: **Raul M. Paredes**, Kohler, WI (US);
Mark A. Romo, Plymouth, WI (US)

(73) Assignee: **Kohler Co.**, Kohler, WI (US)

(**) Term: **14 Years**

(21) Appl. No.: **29/152,982**

(22) Filed: **Dec. 21, 2001**

(51) **LOC (7) Cl.** **23-02**

(52) **U.S. Cl.** **D23/284**

(58) **Field of Search** D23/271, 273,
D23/284-287, 289-292, 293.1, 303, 308;
4/619-620, 624-628, 630-635, 637-643,
647-652, 661

(56) **References Cited**

U.S. PATENT DOCUMENTS

D326,902 S	6/1992	Bonnell	D23/284
D346,014 S	4/1994	Berge et al.	D23/284
D354,119 S	1/1995	Hauser, II	D23/284
D393,057 S	3/1998	Gardner et al.	D23/284
D398,706 S	9/1998	Gardner et al.	D23/290
D425,187 S	* 5/2000	Adamavich	D23/284

OTHER PUBLICATIONS

2000 Kohler catalog ad, p. 16.48, showing a "Ravinia" kitchen sink.

Undated FHP catalog ad showing a kitchen sink.

* cited by examiner

Primary Examiner—Louis S. Zarfes

Assistant Examiner—Robert A. Delehanty

(74) *Attorney, Agent, or Firm*—Quarles & Brady LLP

(57) **CLAIM**

The ornamental design for a sink, as shown and described.

DESCRIPTION

In a preferred embodiment, the nature of this product is as a plumbing fixture primarily useful for washing food and implements therefor.

FIG. 1 is a left, top, front perspective view of a sink embodying our new design;

FIG. 2 is a top plan view thereof;

FIG. 3 is a front elevational view thereof, the rear elevational view being identical to the front elevational view shown;

FIG. 4 is a left side elevational view thereof, the right side elevational view being a mirror image of the left side shown;

FIG. 5 is a bottom plan view thereof;

FIG. 6 is a right, top, front perspective view of a second embodiment, the top plan view thereof being a mirror image of that shown in FIG. 2, the front elevational and rear elevational views thereof being identical to that shown in FIG. 3, the left side elevational view thereof being identical to that shown in FIG. 4, the right side elevational view thereof being a mirror image of that shown in FIG. 4, and the bottom plan view thereof being a mirror image of that shown in FIG. 5;

FIG. 7 is a left, top, front perspective view of a third embodiment, the top plan view thereof being identical to that shown in FIG. 2, and the bottom plan view thereof being identical to that shown in FIG. 5;

FIG. 8 is a front elevational view thereof, the rear elevational view being identical to the front elevational view shown;

FIG. 9 is a left side elevational view thereof, the right side elevational view being a mirror image of the left side shown; and,

FIG. 10 is a right, top, front perspective view of a fourth embodiment, the top plan view thereof being a mirror image of that shown in FIG. 2, the front elevational and rear elevational views thereof being identical to that shown in FIG. 8, the left side elevational view thereof being identical to that shown in FIG. 9, the right side elevational view thereof being a mirror image of that shown in FIG. 9, and the bottom plan view thereof being a mirror image of that shown in FIG. 5.

The broken line representations of holes in FIGS. 1, 2, 5, 6, 7, and 10, of a fitting shelf in FIGS. 1, 2, 7, and 10, and of finishing structure in FIG. 5, are for the purpose of illustration only, and form no part of the claimed design.

1 Claim, 5 Drawing Sheets

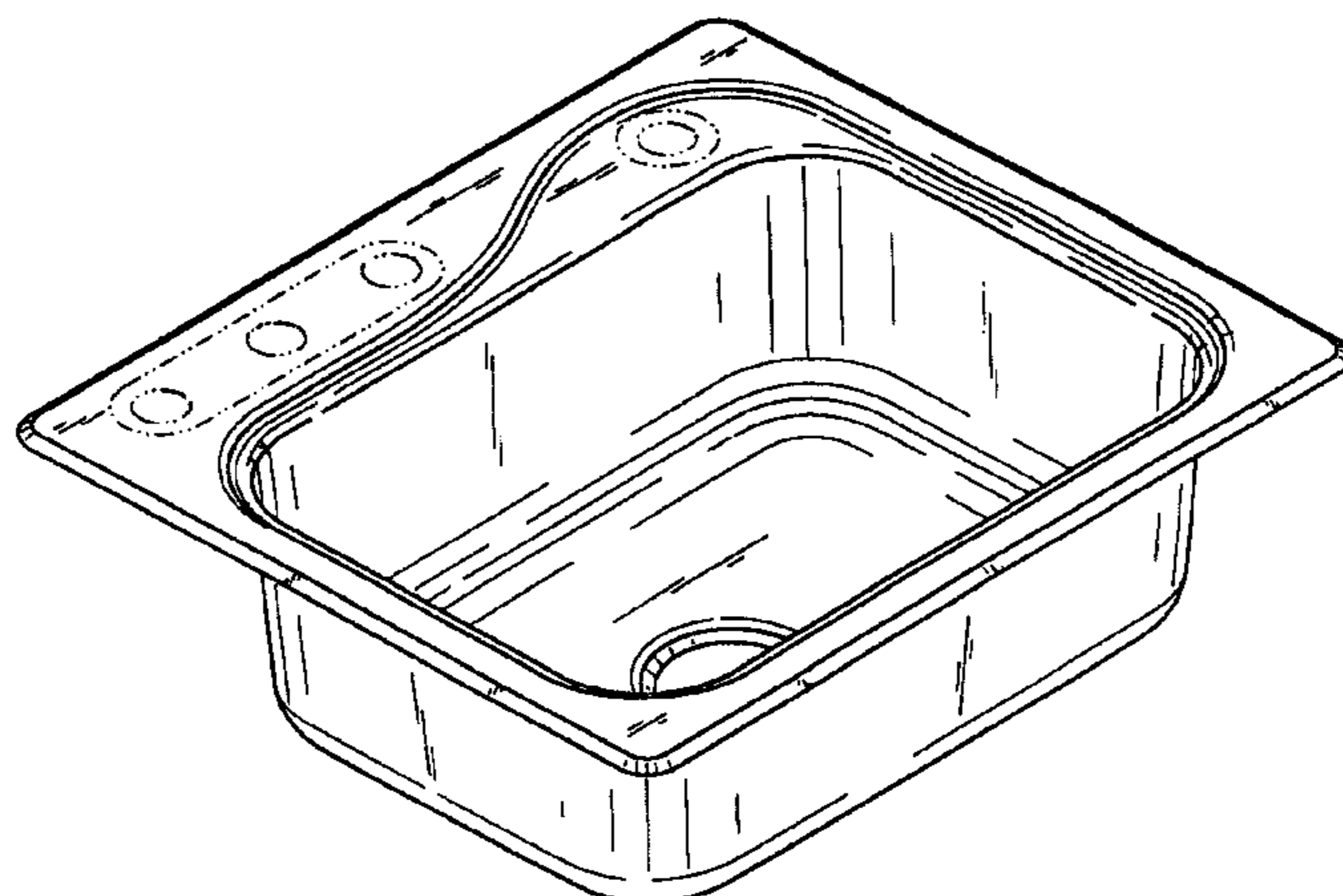


FIG. 1

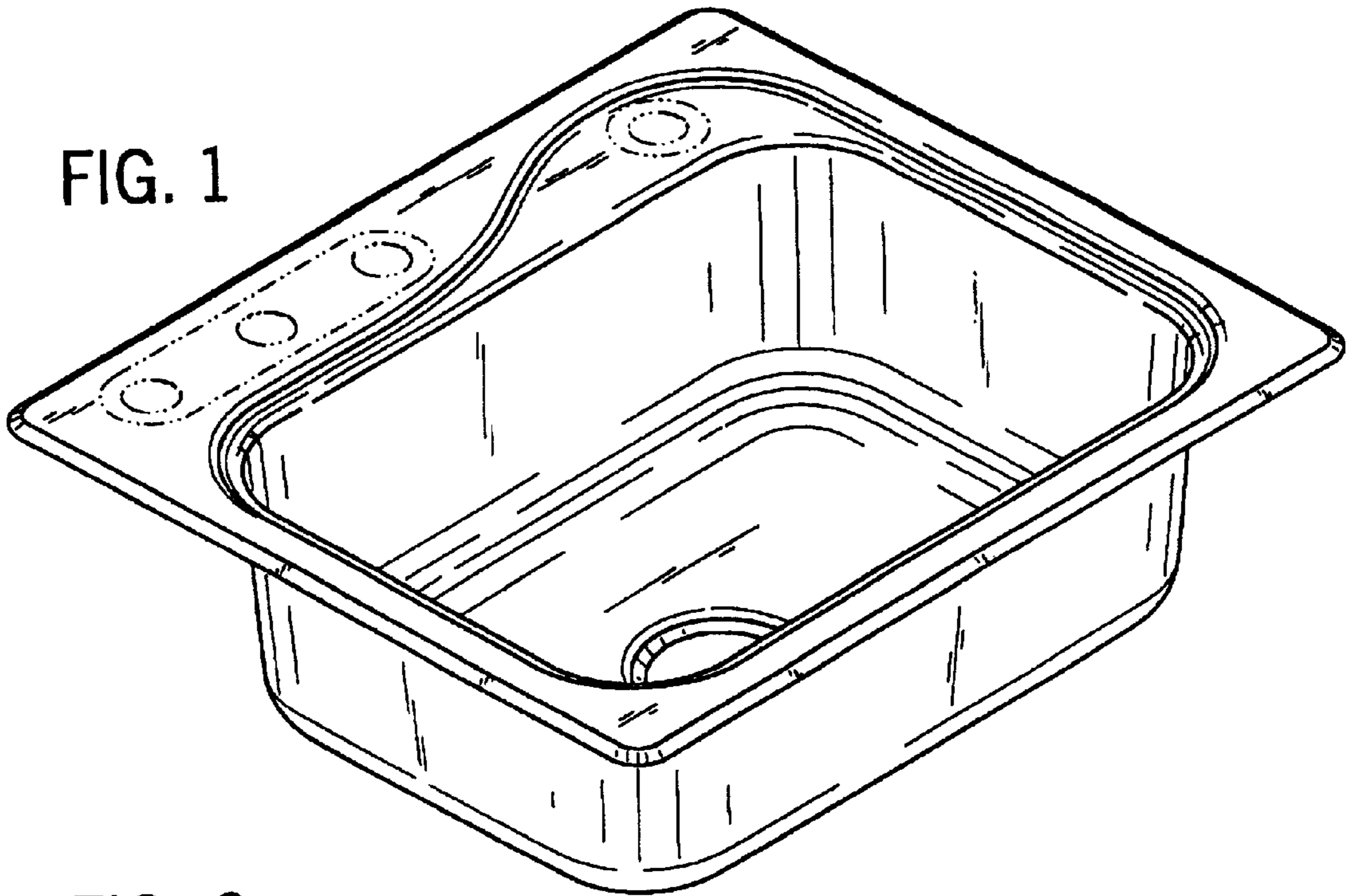


FIG. 2

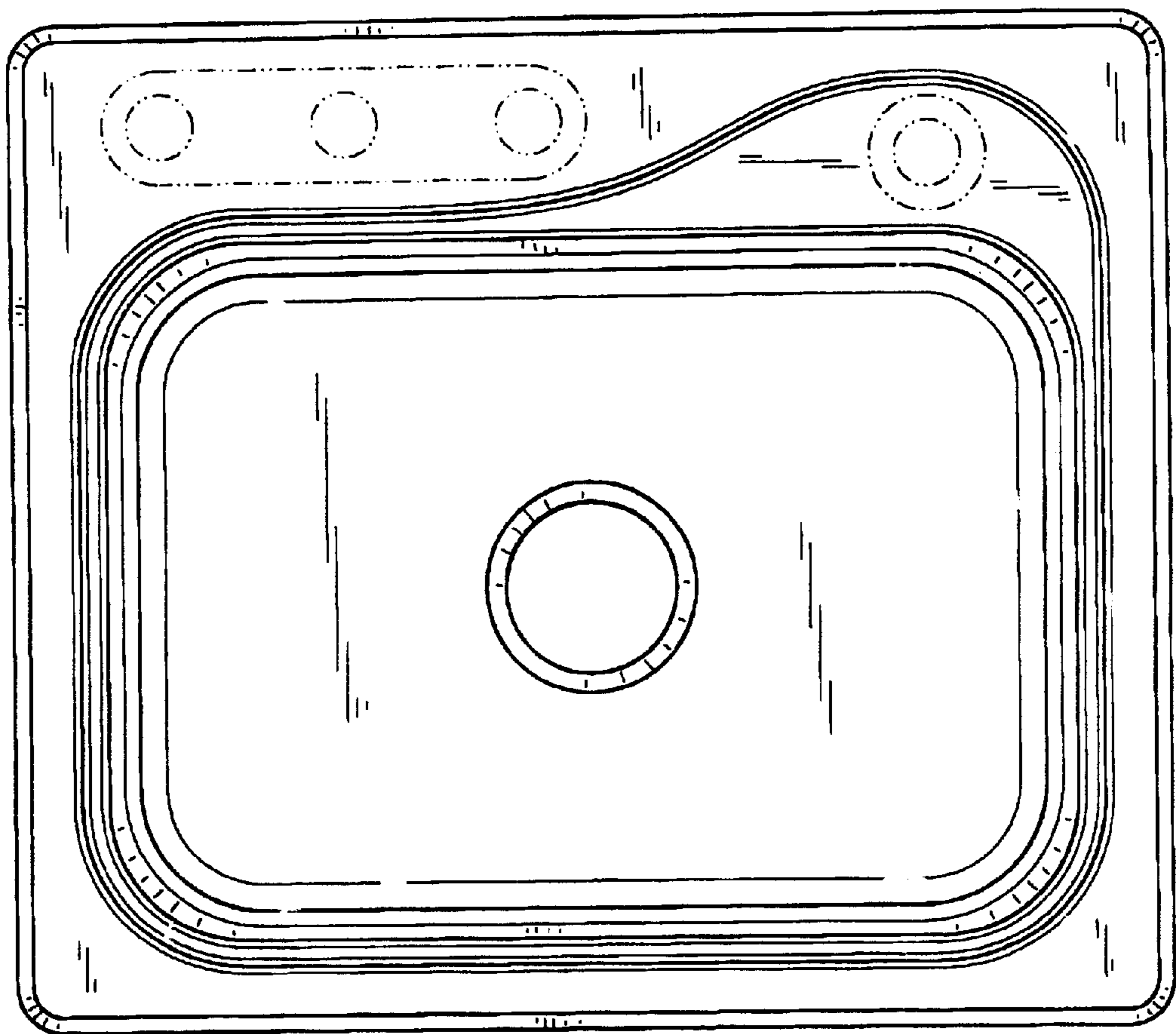


FIG. 3

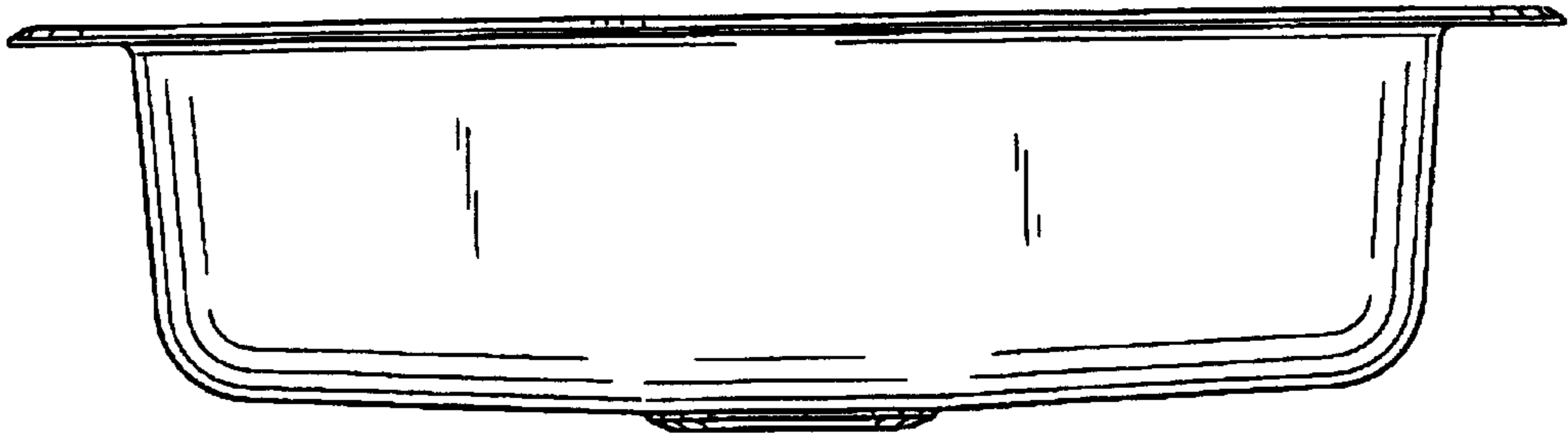


FIG. 4

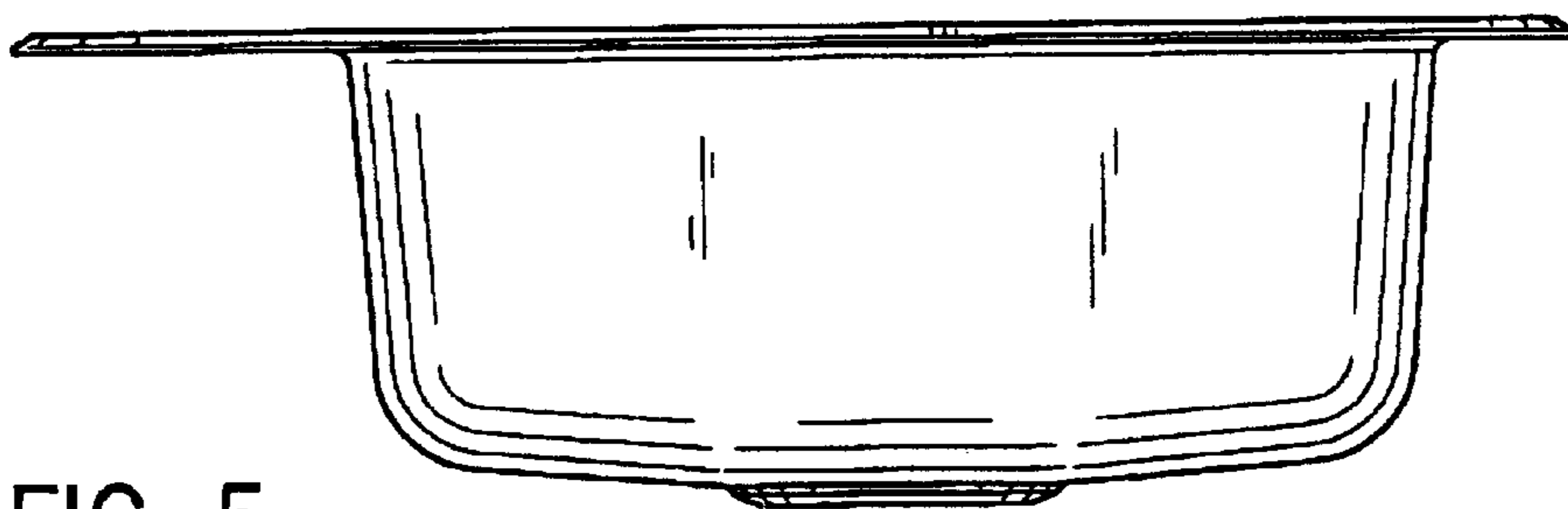


FIG. 5

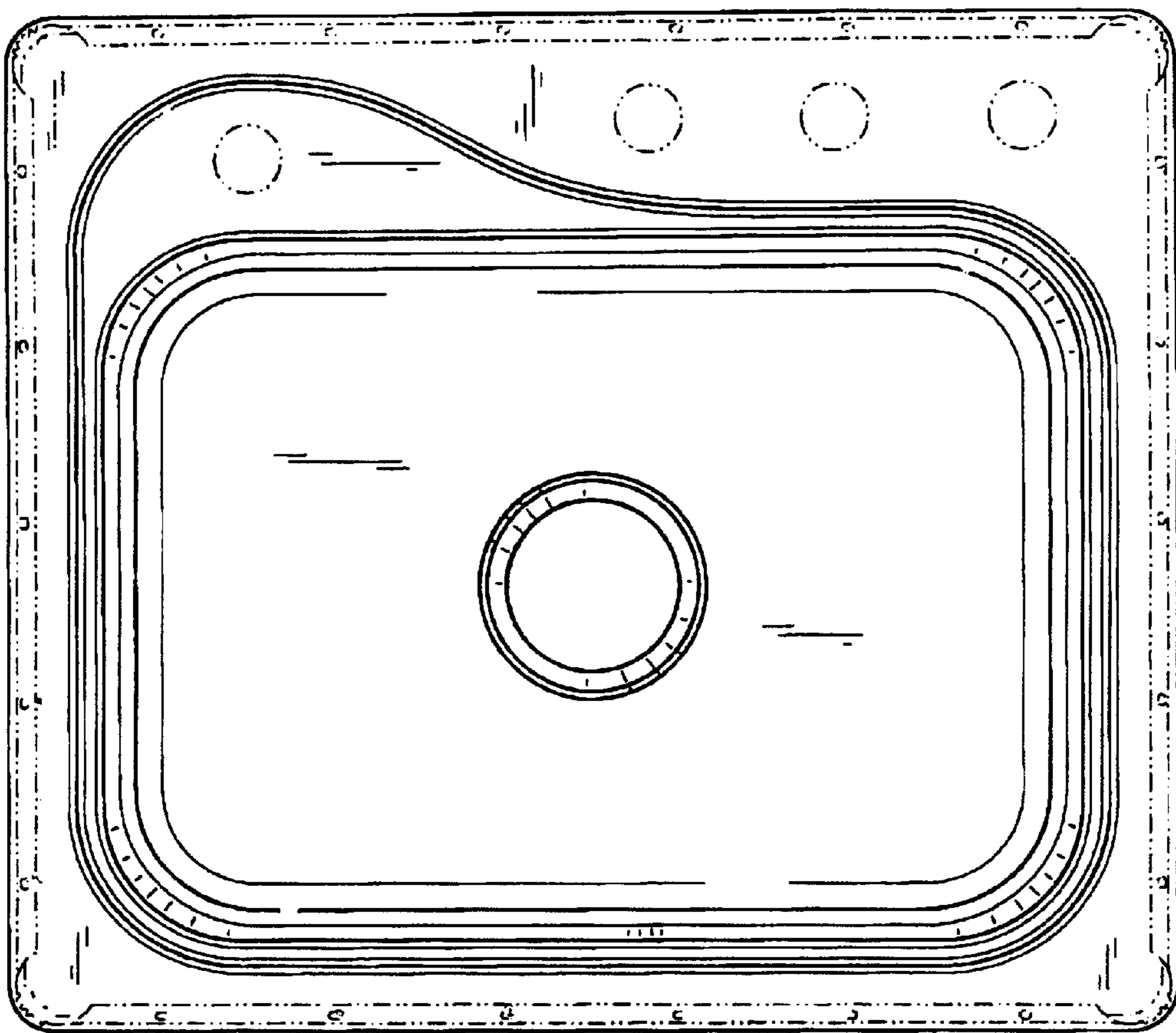


FIG. 6

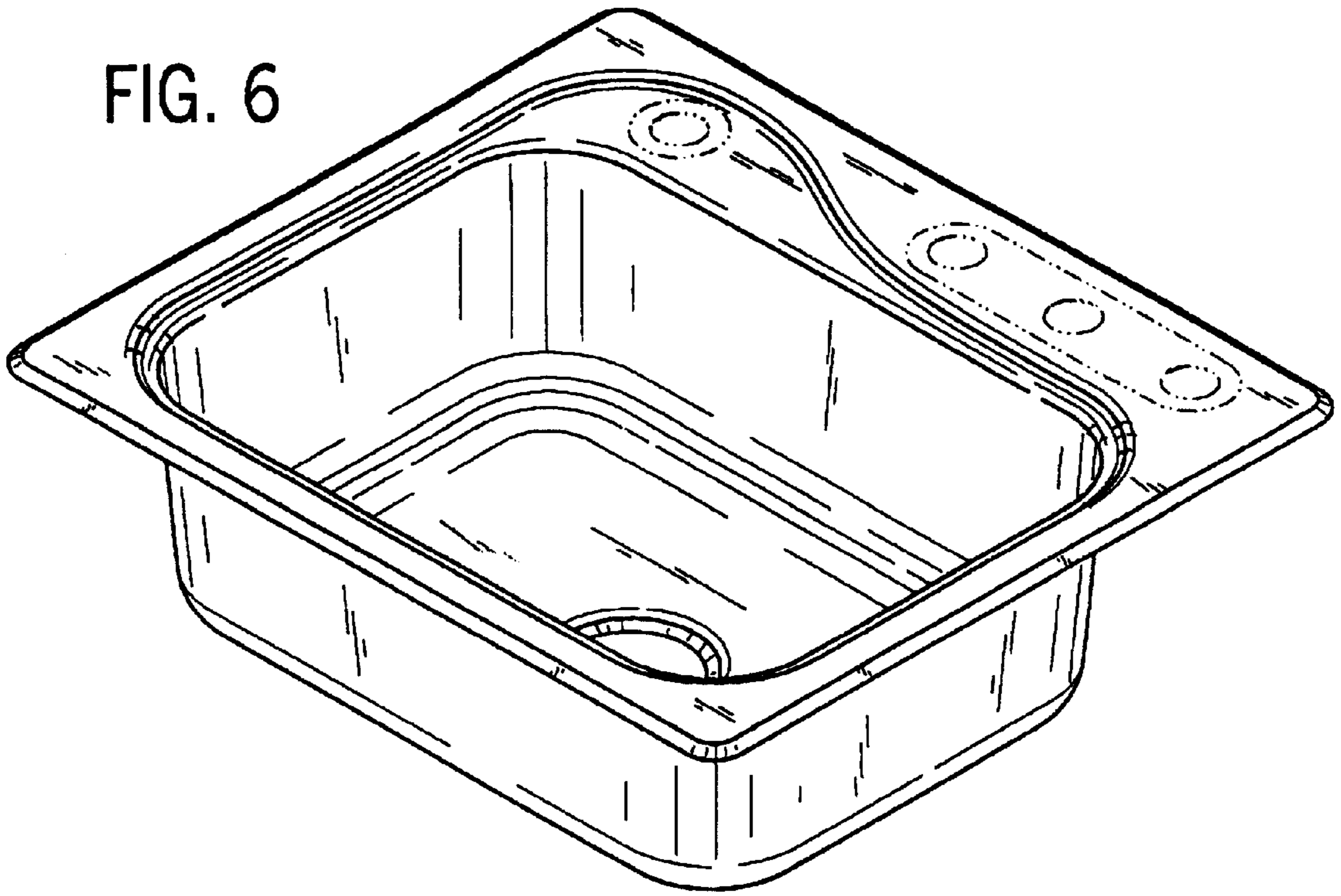


FIG. 7

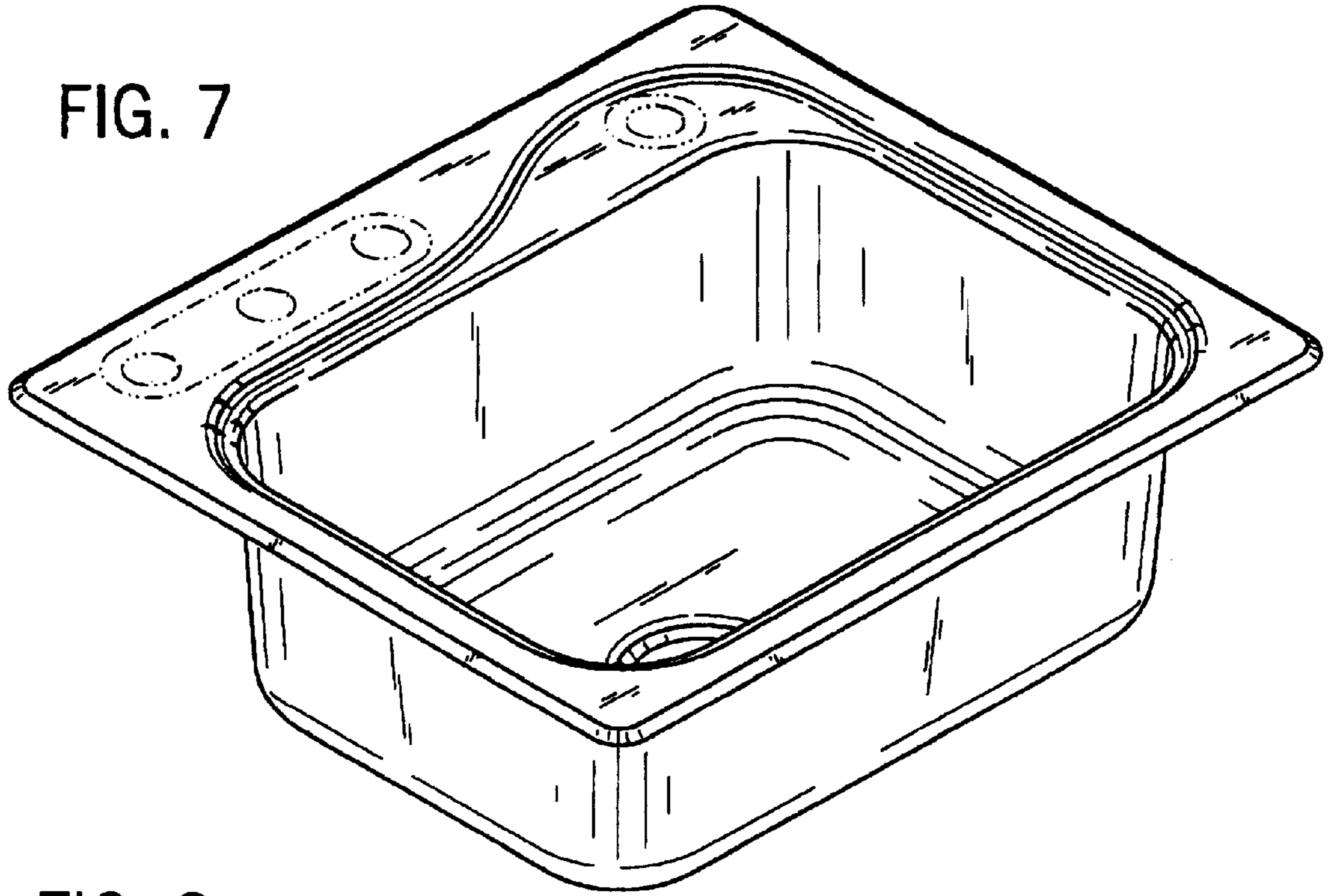


FIG. 8

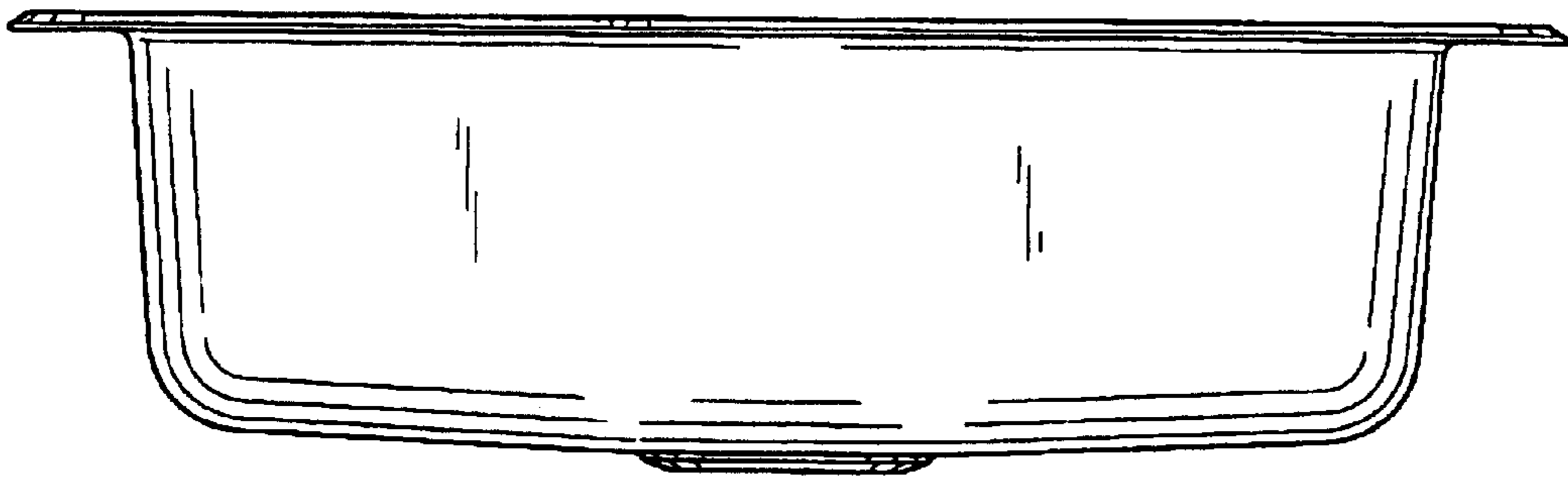


FIG. 9

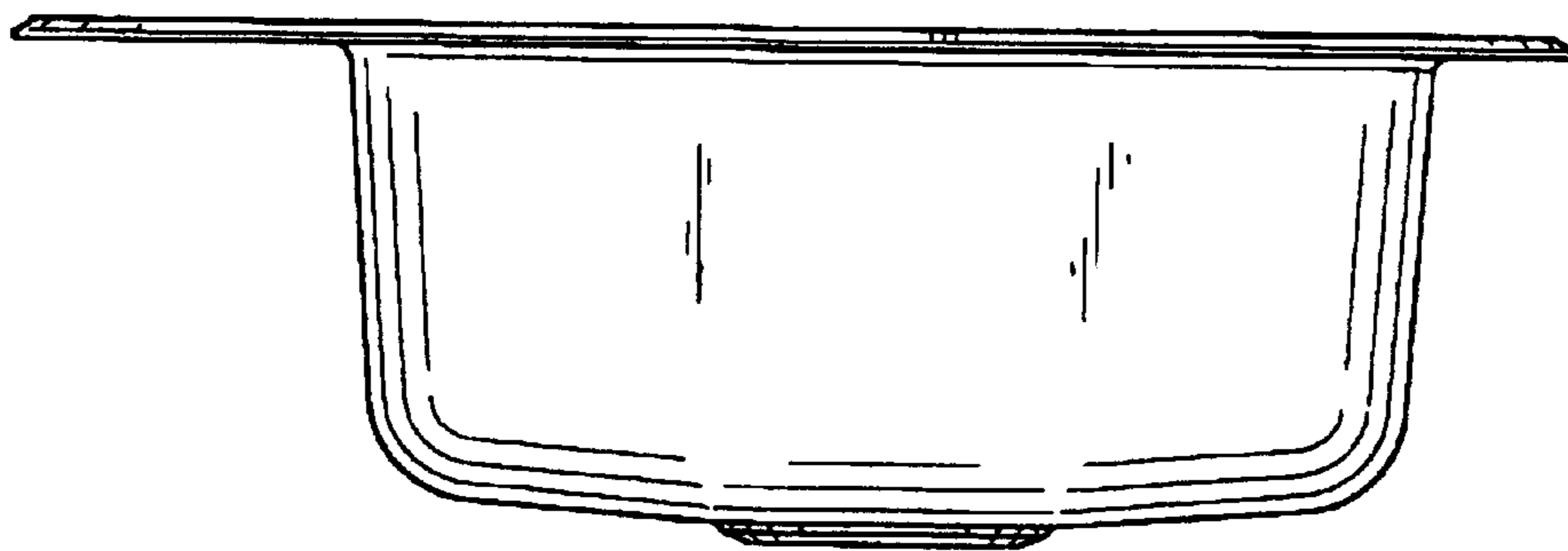


FIG. 10

