



US00D464121S

(12) **United States Design Patent**  
**Storti et al.**

(10) **Patent No.:** **US D464,121 S**

(45) **Date of Patent:** **\*\* Oct. 8, 2002**

(54) **SANITARY FAUCET**

(75) Inventors: **Tim Storti**, Schwieberdingen (DE);  
**Tom Schönherr**, Stuttgart (DE);  
**Andreas Haug**, Stuttgart (DE)

(73) Assignee: **Hansgrohe AG**, Schiltach (DE)

(\*\*) Term: **14 Years**

(21) Appl. No.: **29/138,638**

(22) Filed: **Mar. 16, 2001**

(30) **Foreign Application Priority Data**

Sep. 19, 2000 (DE) ..... 4 00 09 022

(51) **LOC (7) Cl.** ..... **23-01**

(52) **U.S. Cl.** ..... **D23/257; D23/255**

(58) **Field of Search** ..... **D23/238-257;**  
**4/675-678; 137/801**

(56) **References Cited**

**U.S. PATENT DOCUMENTS**

D314,228 S	*	1/1991	Haug et al.	.....	D23/238
D323,700 S	*	2/1992	Wilde	.....	D23/241
D331,276 S	*	11/1992	Knapp	.....	D23/238
D424,171 S	*	5/2000	Fabian	.....	D23/238

**OTHER PUBLICATIONS**

Grohetec catalog Nov. 1997, pp. 16 and 17.  
“Wassermanagement für Sport—und Freizeitanlagen” cata-  
logue by Aqua Apr. 2000, pp. 4 and 5.

\* cited by examiner

*Primary Examiner*—Louis S. Zarfes  
*Assistant Examiner*—Gregory Andoll  
(74) *Attorney, Agent, or Firm*—Duane Morris LLP

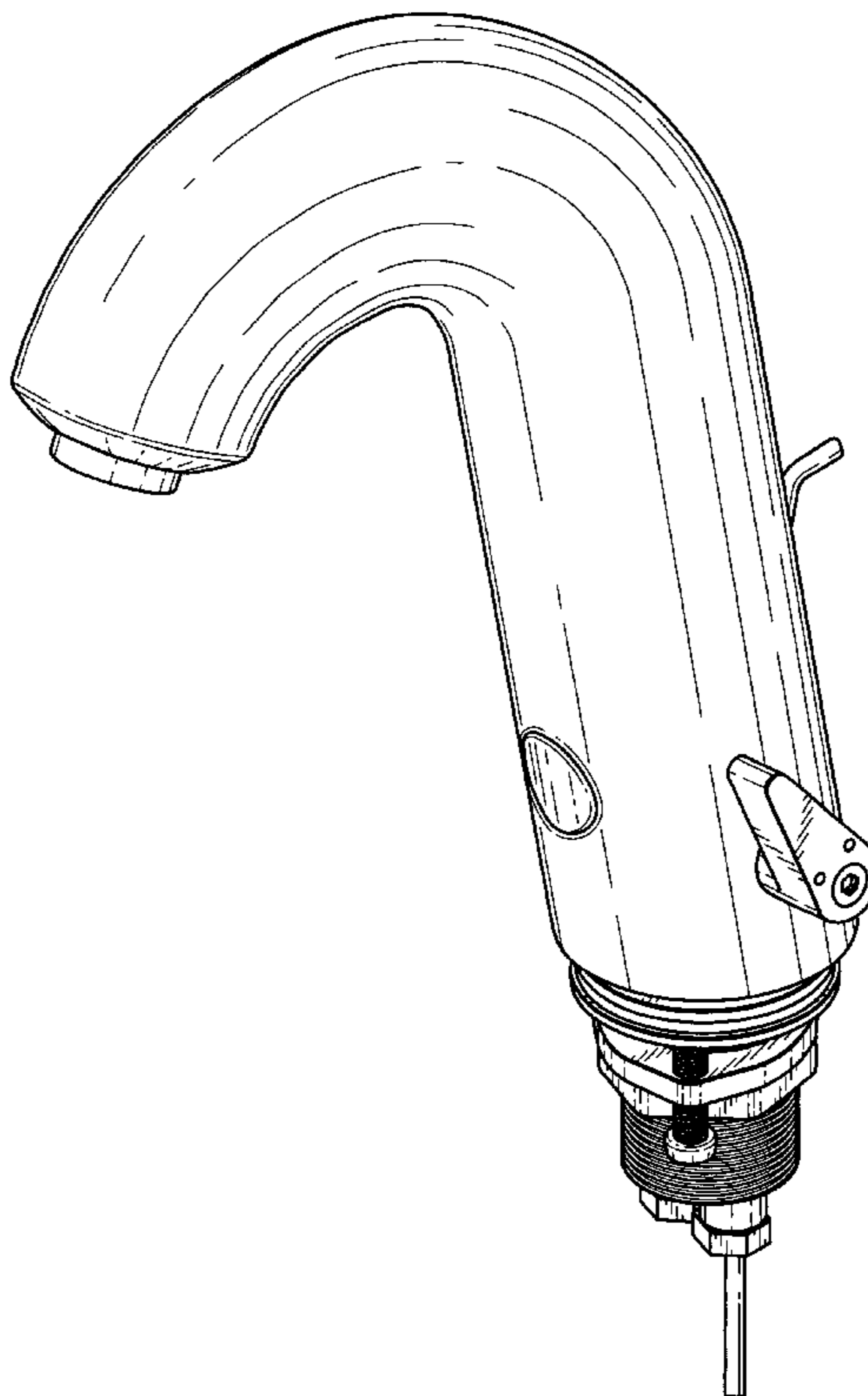
(57) **CLAIM**

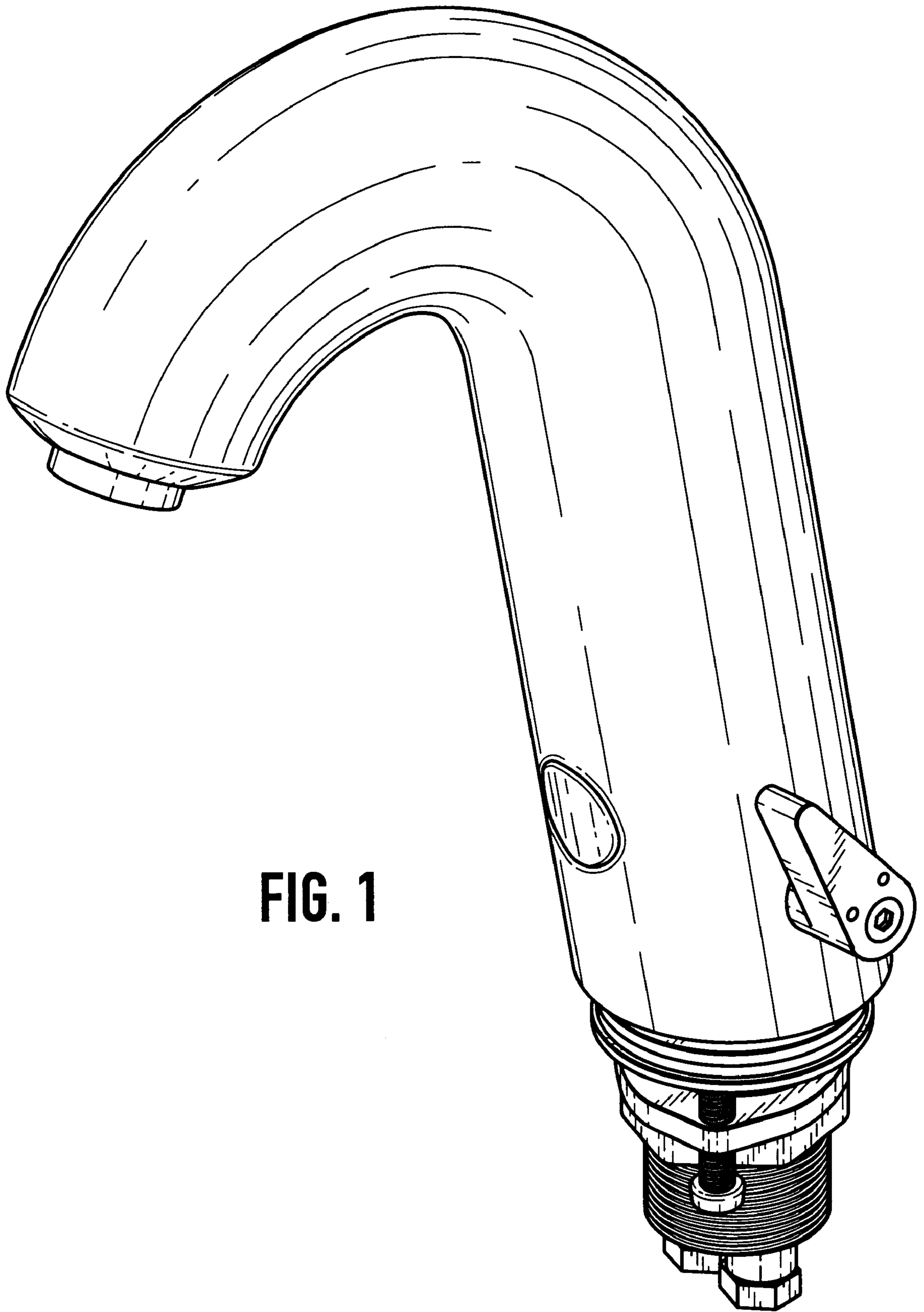
The ornamental design for a sanitary faucet, as shown and described.

**DESCRIPTION**

FIG. 1 is a side perspective view of a sanitary faucet showing our new design;  
FIG. 2 is a front elevation view of FIG. 1;  
FIG. 3 is a back elevation view of FIG. 1;  
FIG. 4 is a side elevation view of FIG. 1;  
FIG. 5 is an opposite side elevation view of FIG. 1;  
FIG. 6 is a bottom plan view of FIG. 1;  
FIG. 7 is a top plan view of FIG. 1;  
FIG. 8 is a side perspective view of an alternative sanitary faucet to FIG. 1 with a rod at the back;  
FIG. 9 is a front elevation view of FIG. 8;  
FIG. 10 is a back elevation view of FIG. 8;  
FIG. 11 is a side elevation view of FIG. 8;  
FIG. 12 is an opposite side elevation view of FIG. 8;  
FIG. 13 is a bottom plan view of FIG. 8; and,  
FIG. 14 is a top plan view of FIG. 8.

**1 Claim, 10 Drawing Sheets**





**FIG. 1**

FIG. 2

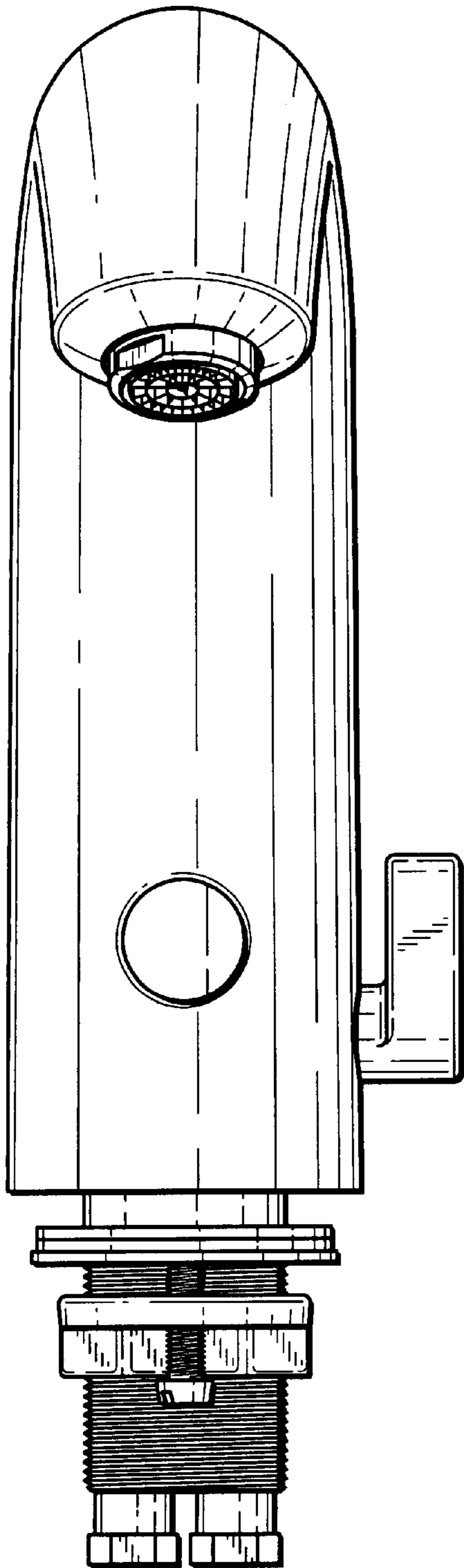
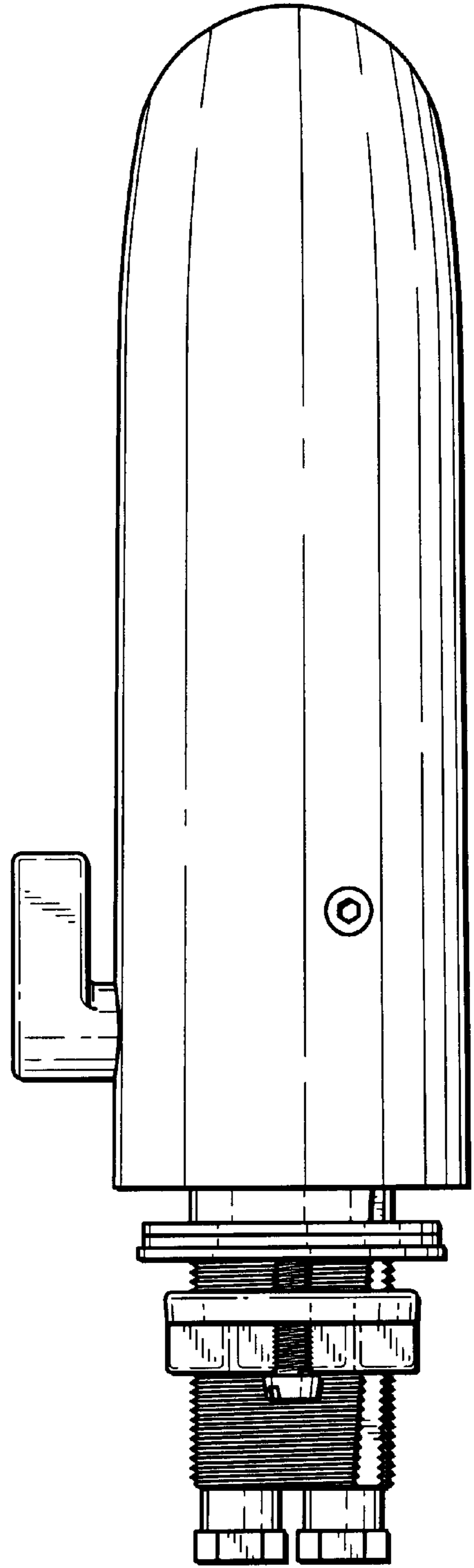


FIG. 3



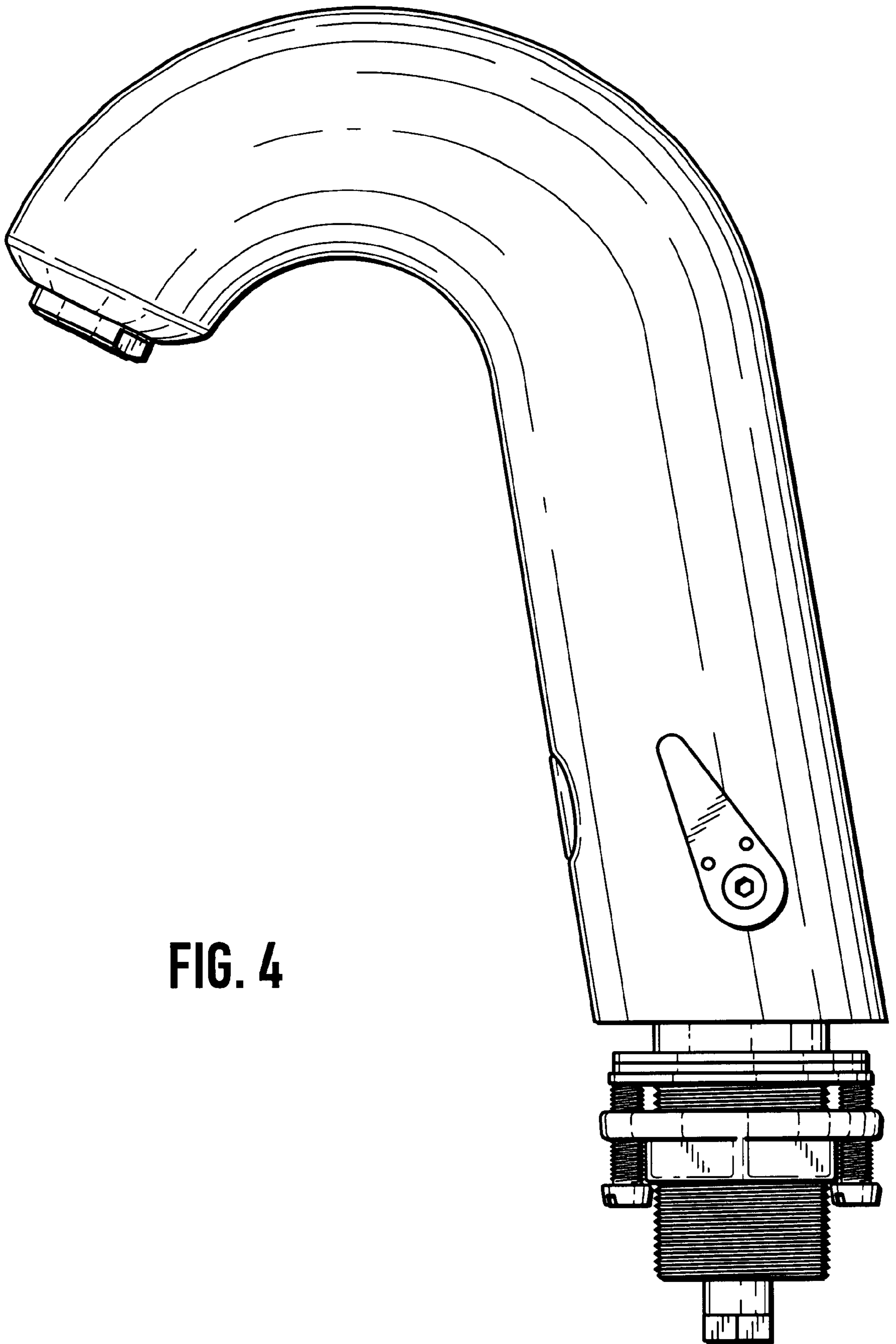
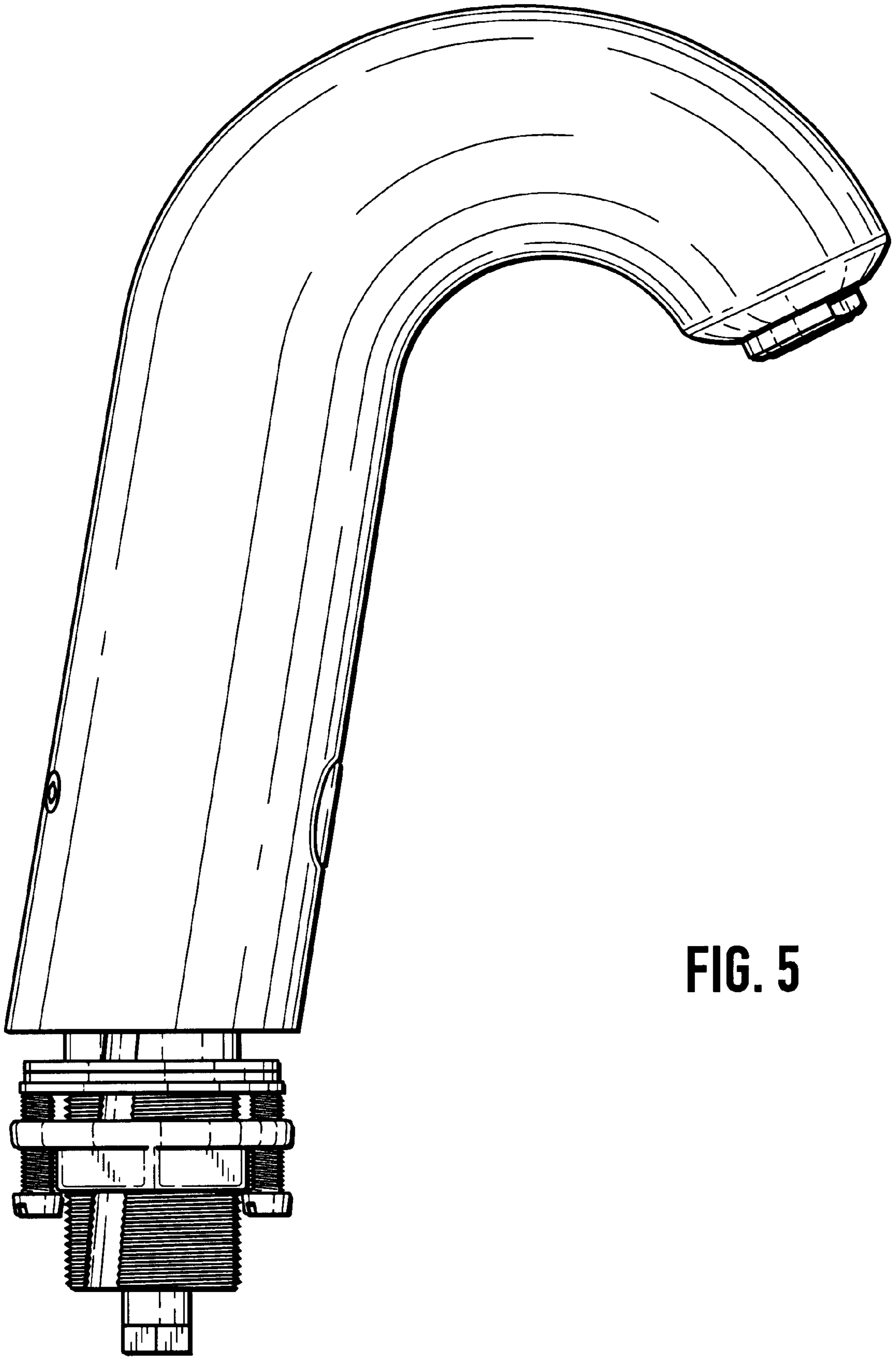


FIG. 4



**FIG. 5**

FIG. 6

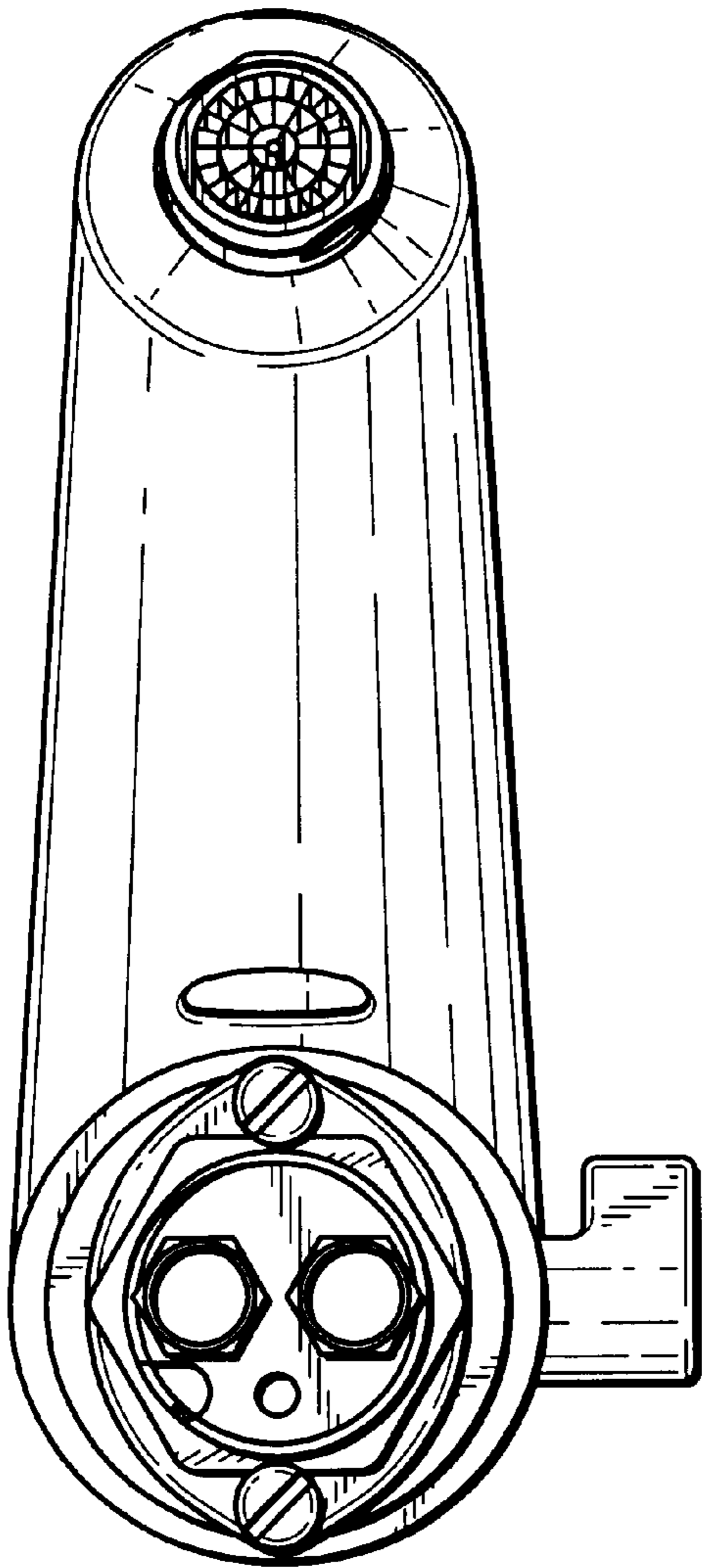
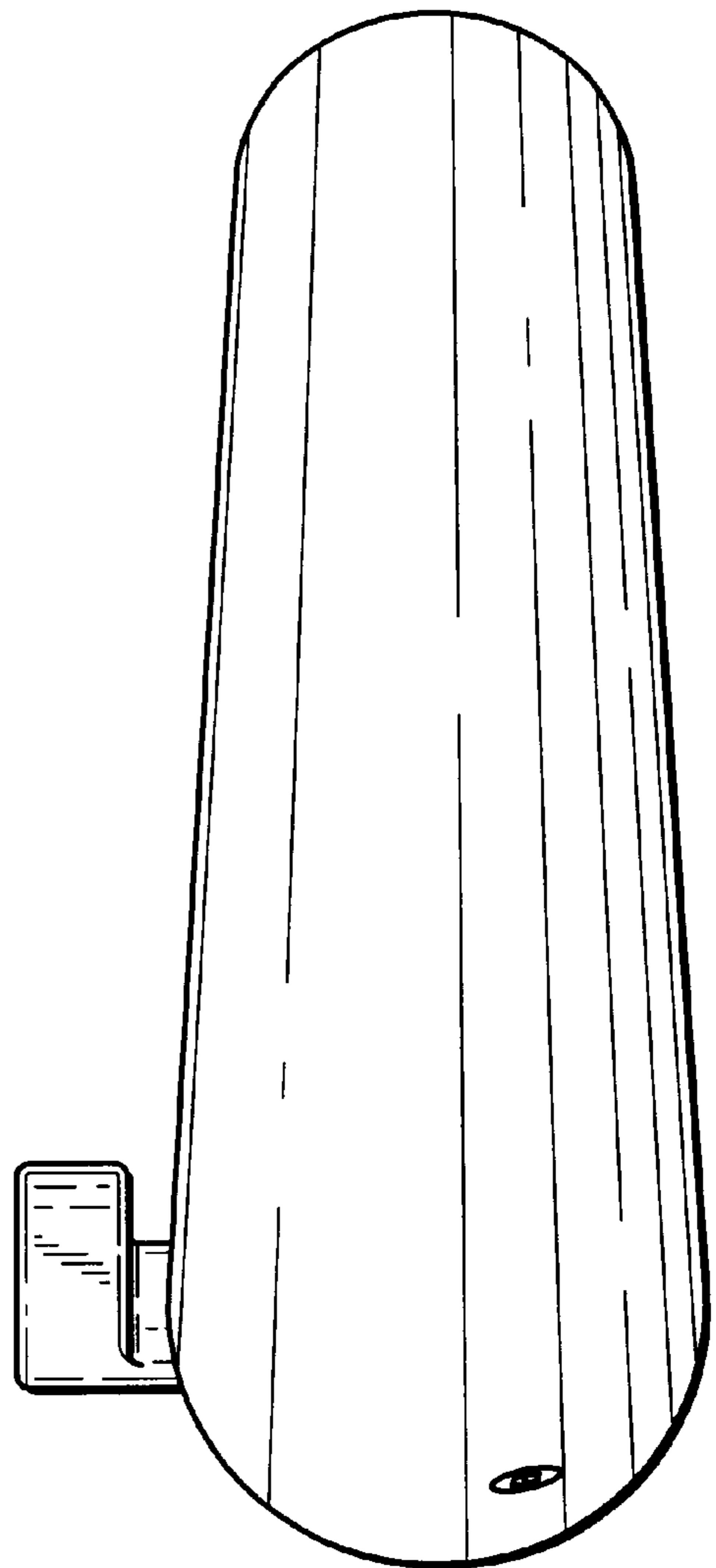


FIG. 7



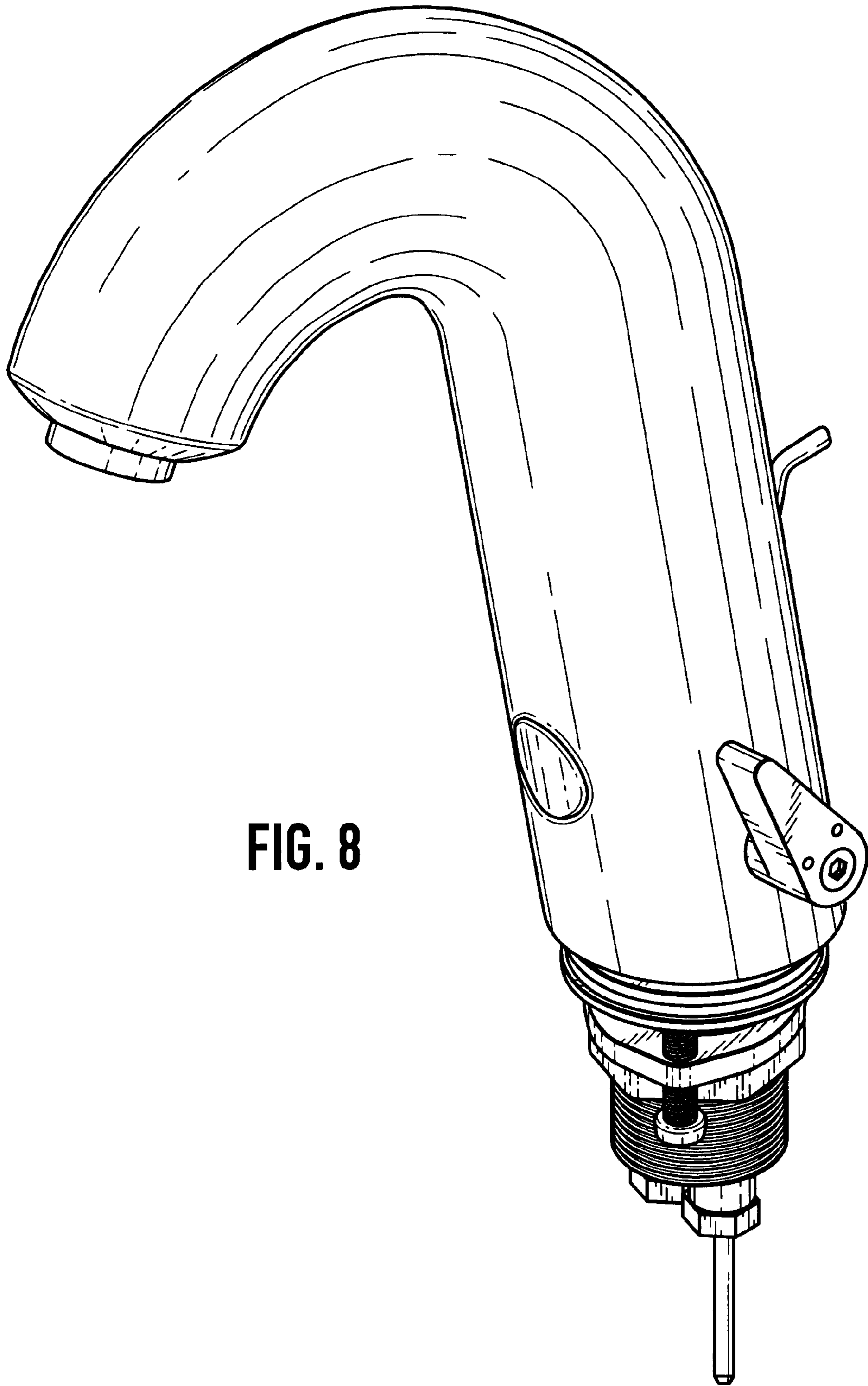


FIG. 8

FIG. 9

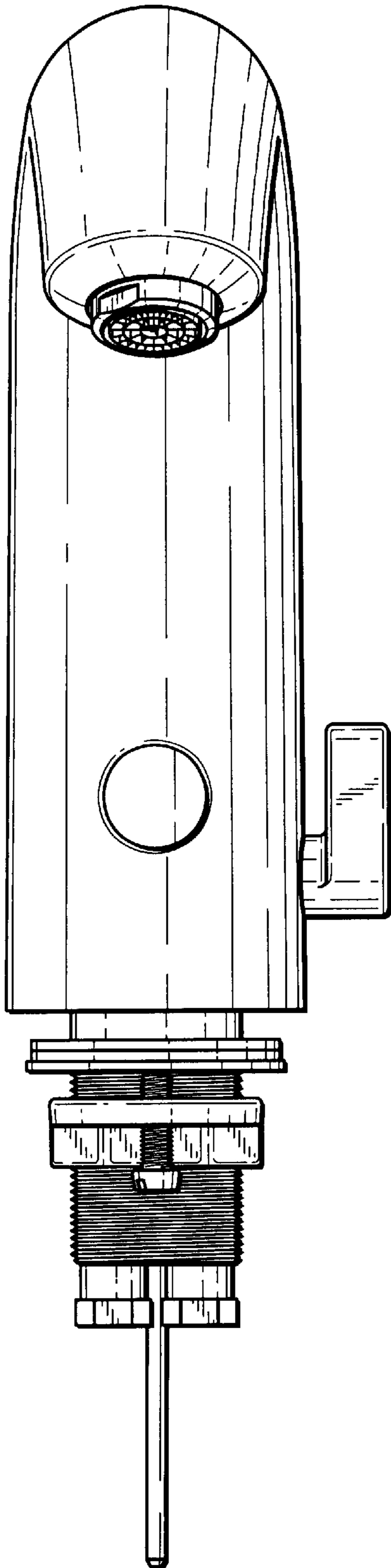
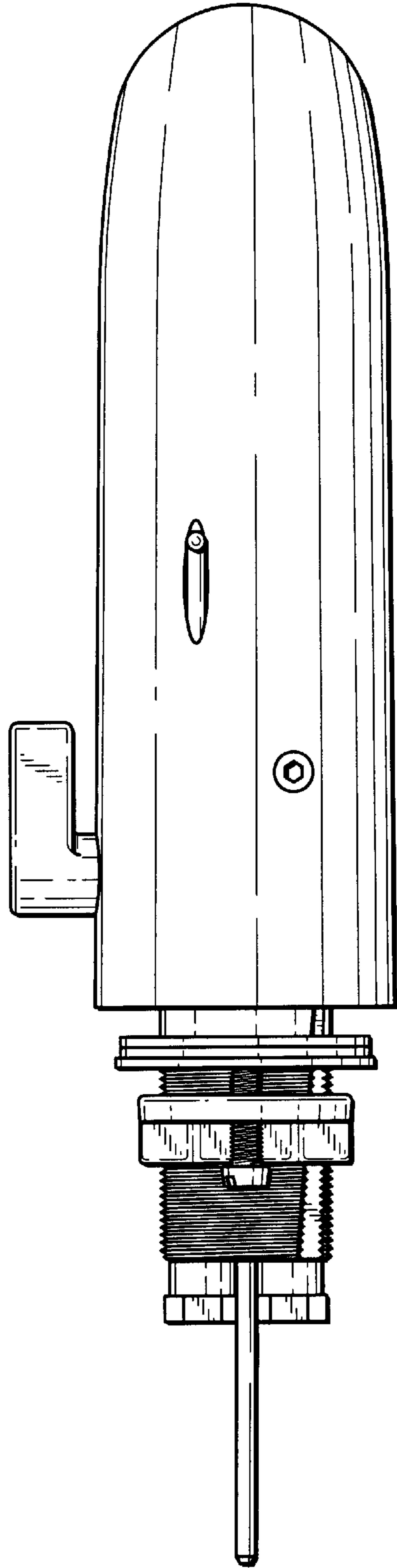


FIG. 10





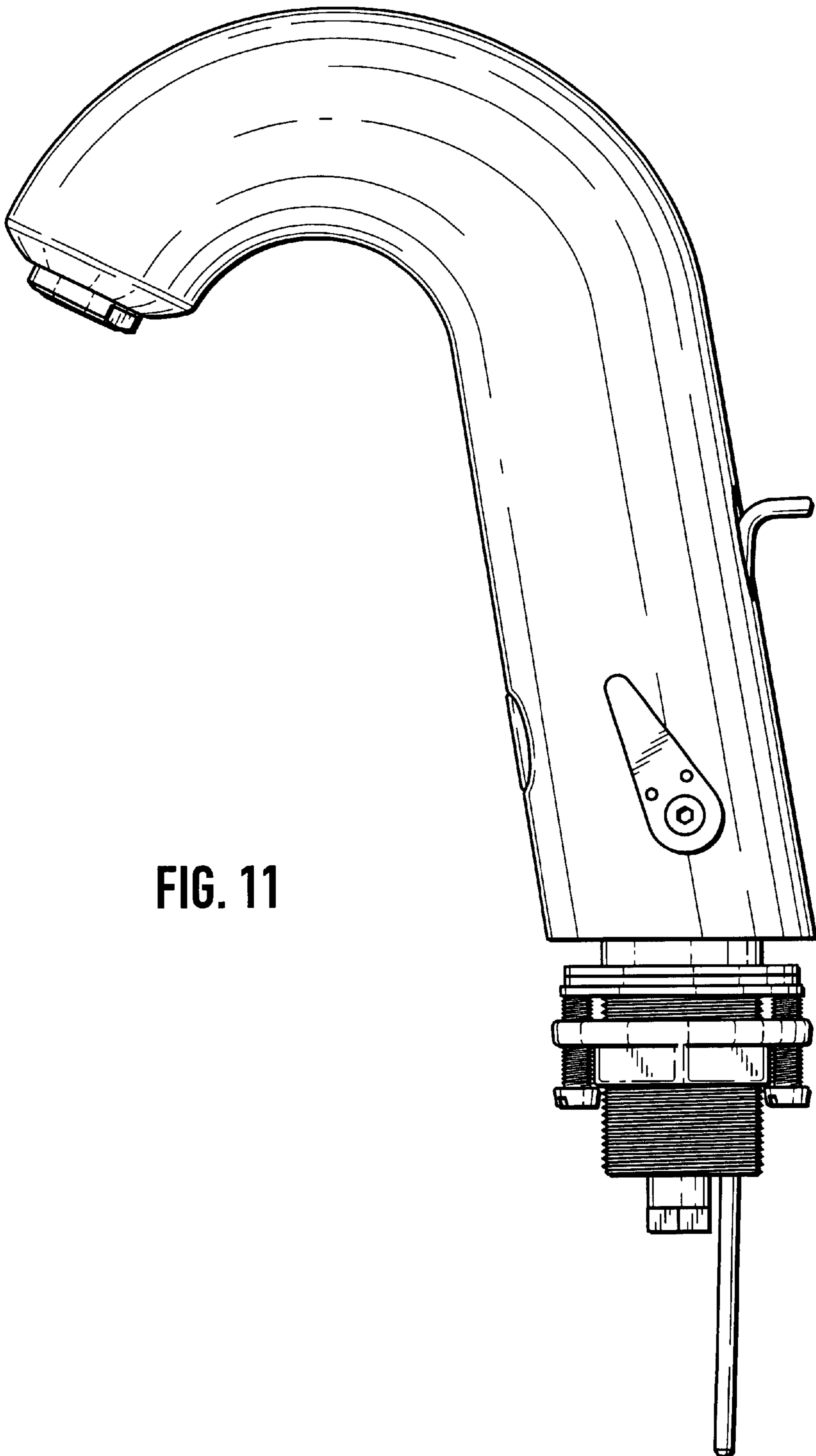


FIG. 11

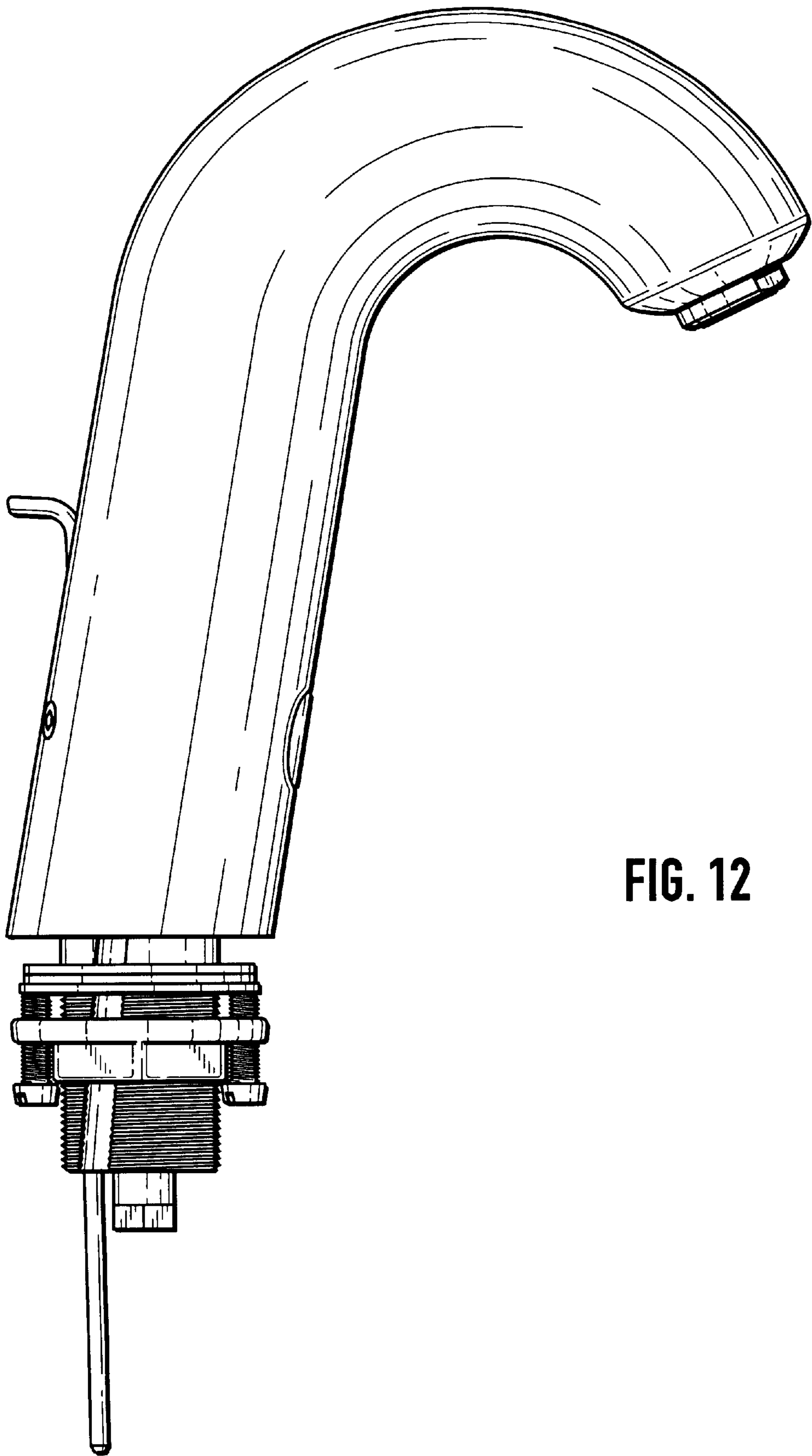


FIG. 12

FIG. 13

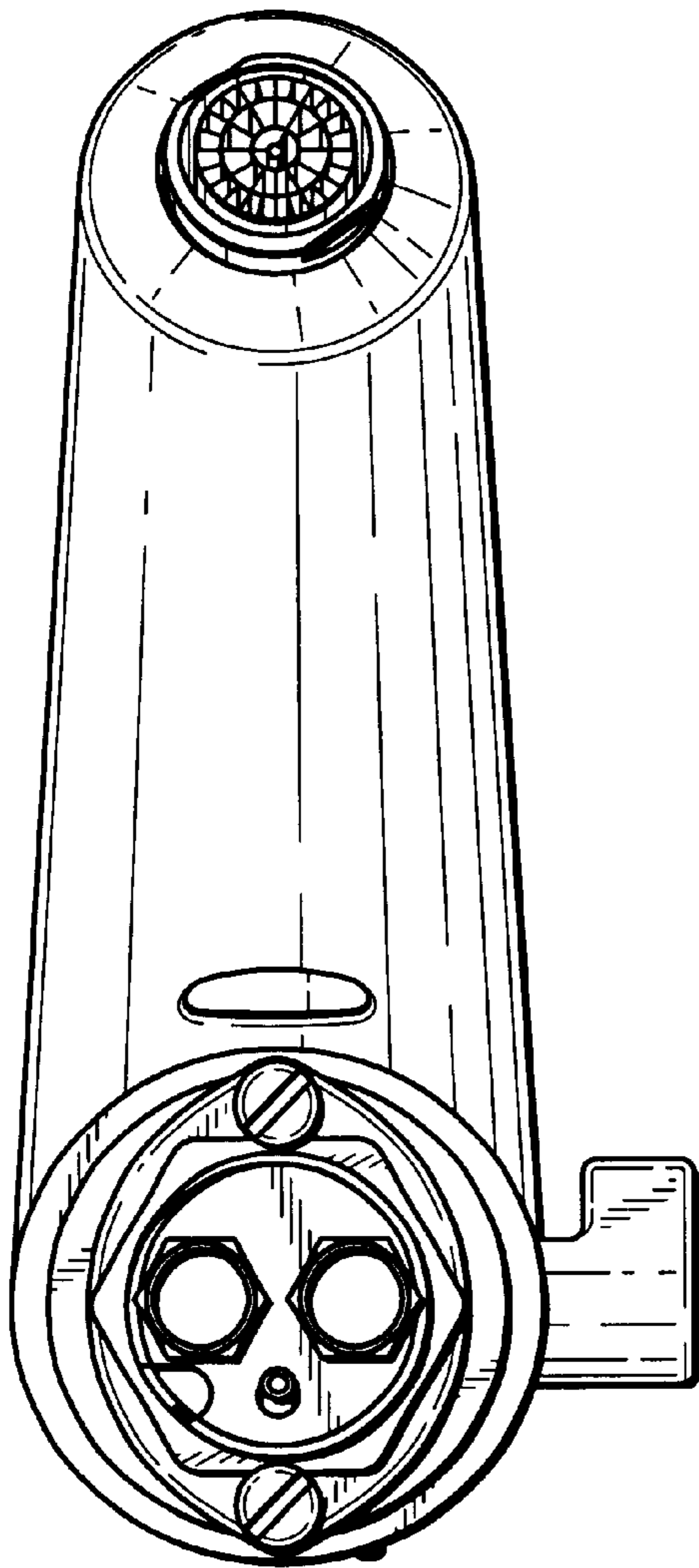


FIG. 14

