



US00D464120S

(12) **United States Design Patent**  
**Ramli**

(10) **Patent No.:** **US D464,120 S**

(45) **Date of Patent:** **\*\* Oct. 8, 2002**

(54) **WATER SPOUT**

D433,734 S \* 11/2000 Spangler ..... D23/252

(75) Inventor: **Maslinisak Bin Mohd Ramli**, Selangor (MY)

\* cited by examiner

(73) Assignee: **Watertec (Malaysia) SDN BHD**, Selangor (MY)

*Primary Examiner*—Louis S. Zarfaz

*Assistant Examiner*—Gregory Andoll

(74) *Attorney, Agent, or Firm*—Jacobson Holman, PLLC

(\*\*) Term: **14 Years**

(57) **CLAIM**

(21) Appl. No.: **29/133,863**

I claim the ornamental design for the water spout, as shown and described.

(22) Filed: **Dec. 11, 2000**

**DESCRIPTION**

(51) **LOC (7) Cl.** ..... **23-01**

FIG. 1 is a perspective view of the water faucet embodying my design;

(52) **U.S. Cl.** ..... **D23/255**

FIG. 2 is a side elevational view of the water faucet as shown in FIG. 1, the other side being a mirror image;

(58) **Field of Search** ..... D23/238-257; 4/675-678; 16/110 R-121; 137/801

FIG. 3 is a top plan view of the water faucet shown in FIG. 1; and,

(56) **References Cited**

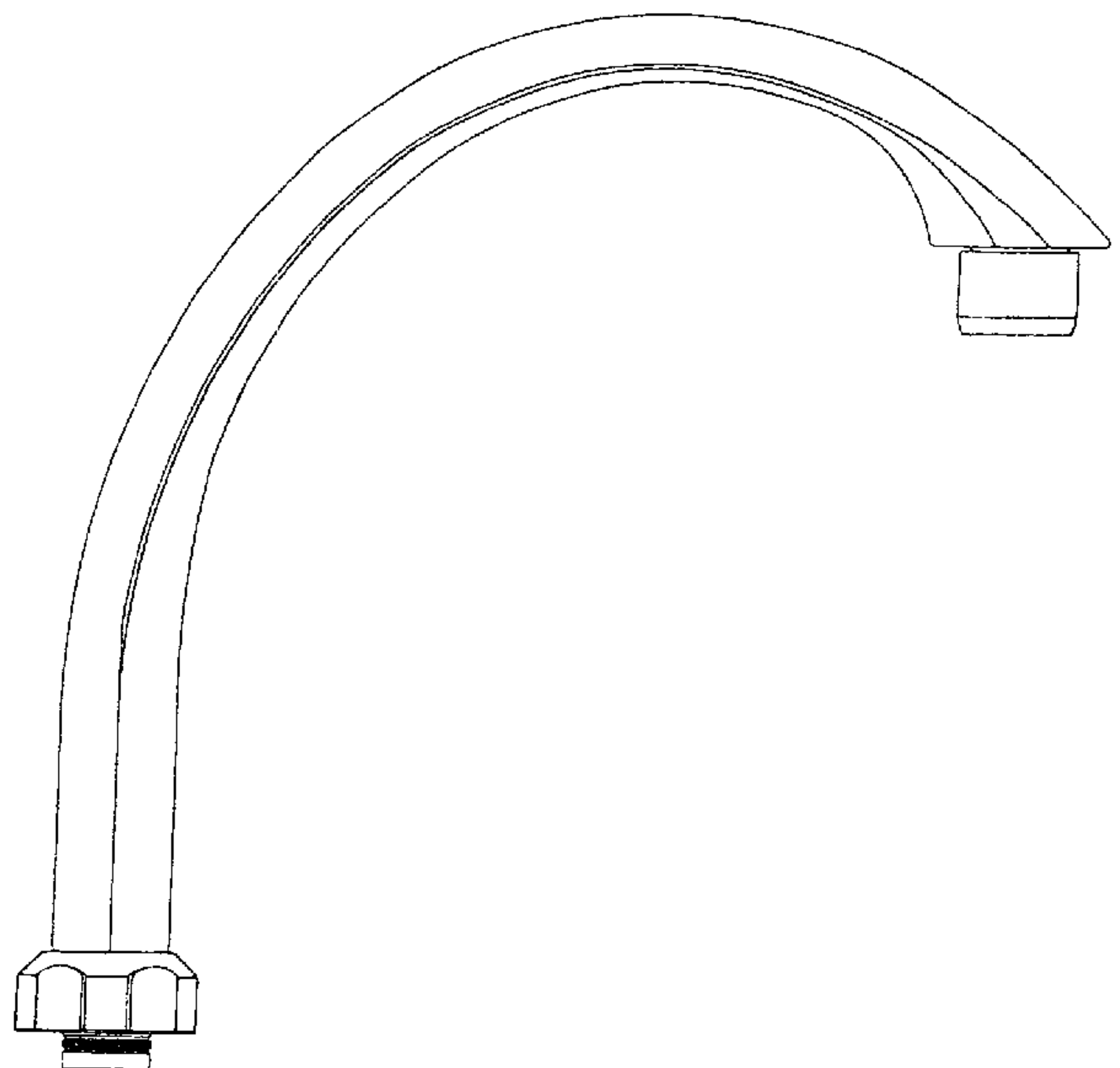
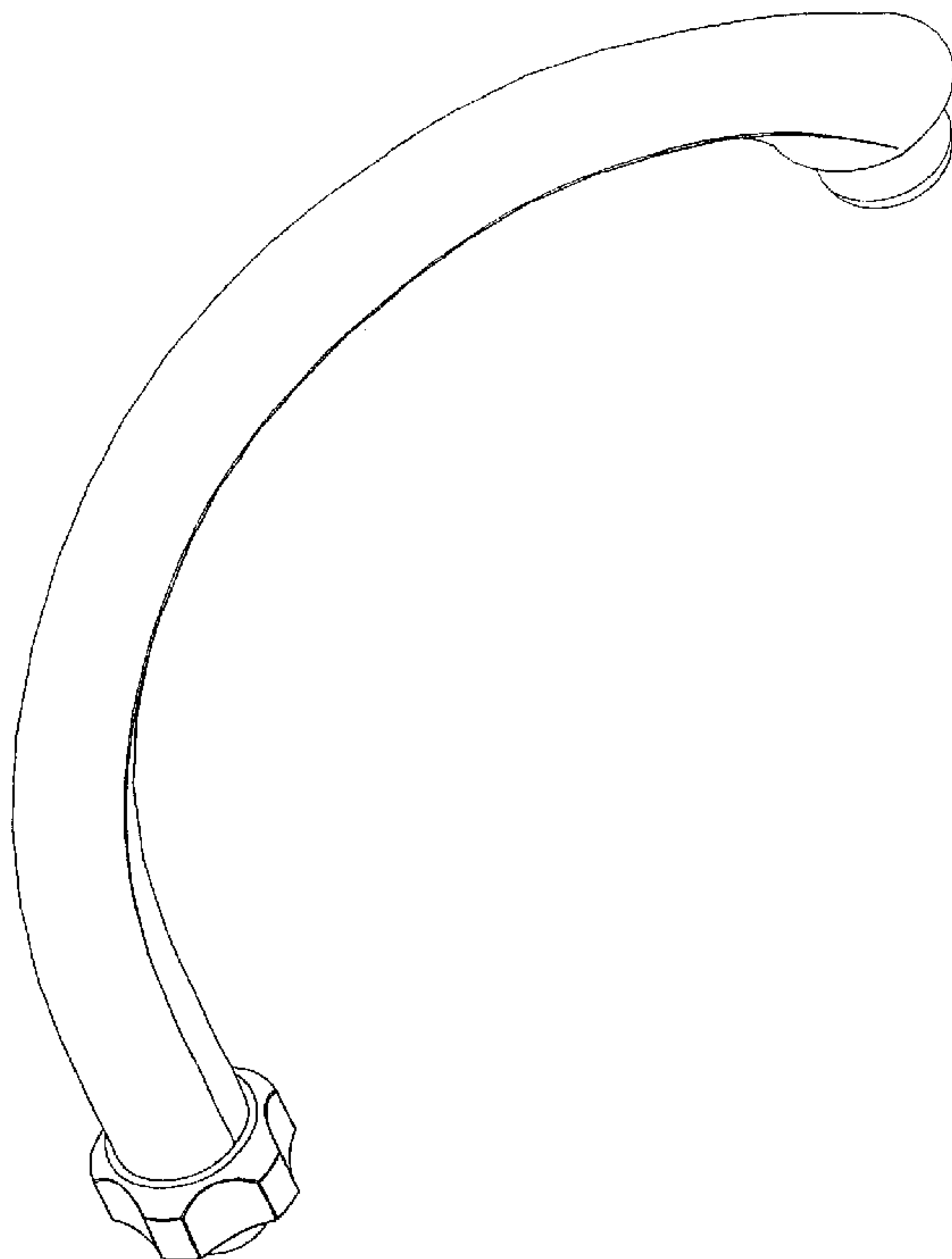
FIG. 4 is a bottom view of the water faucet shown in FIG. 1.

**U.S. PATENT DOCUMENTS**

D339,853 S \* 9/1993 Higgins et al. .... D23/255

D398,963 S \* 9/1998 Donahue et al. .... D23/255

**1 Claim, 2 Drawing Sheets**



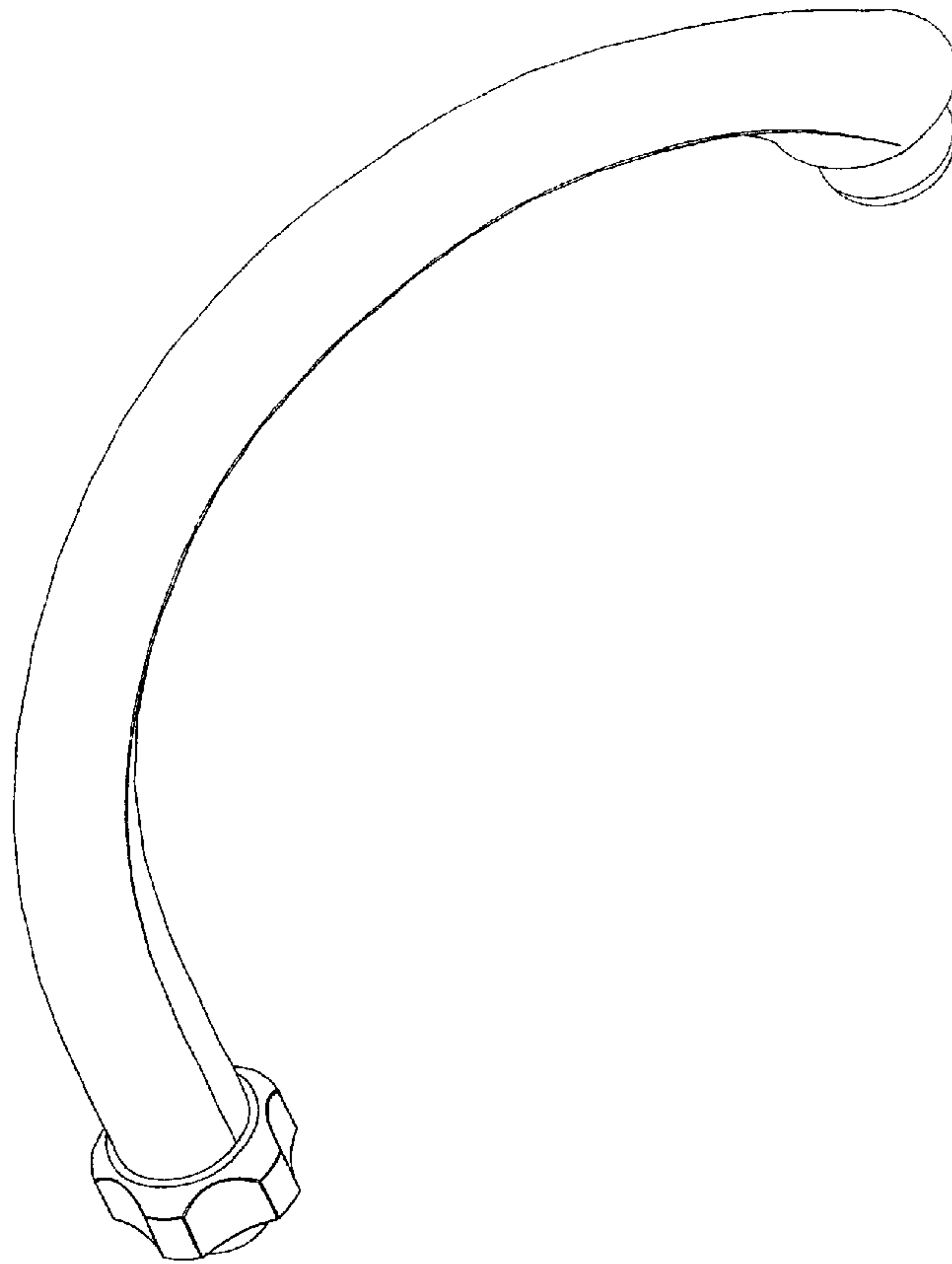


FIGURE 1

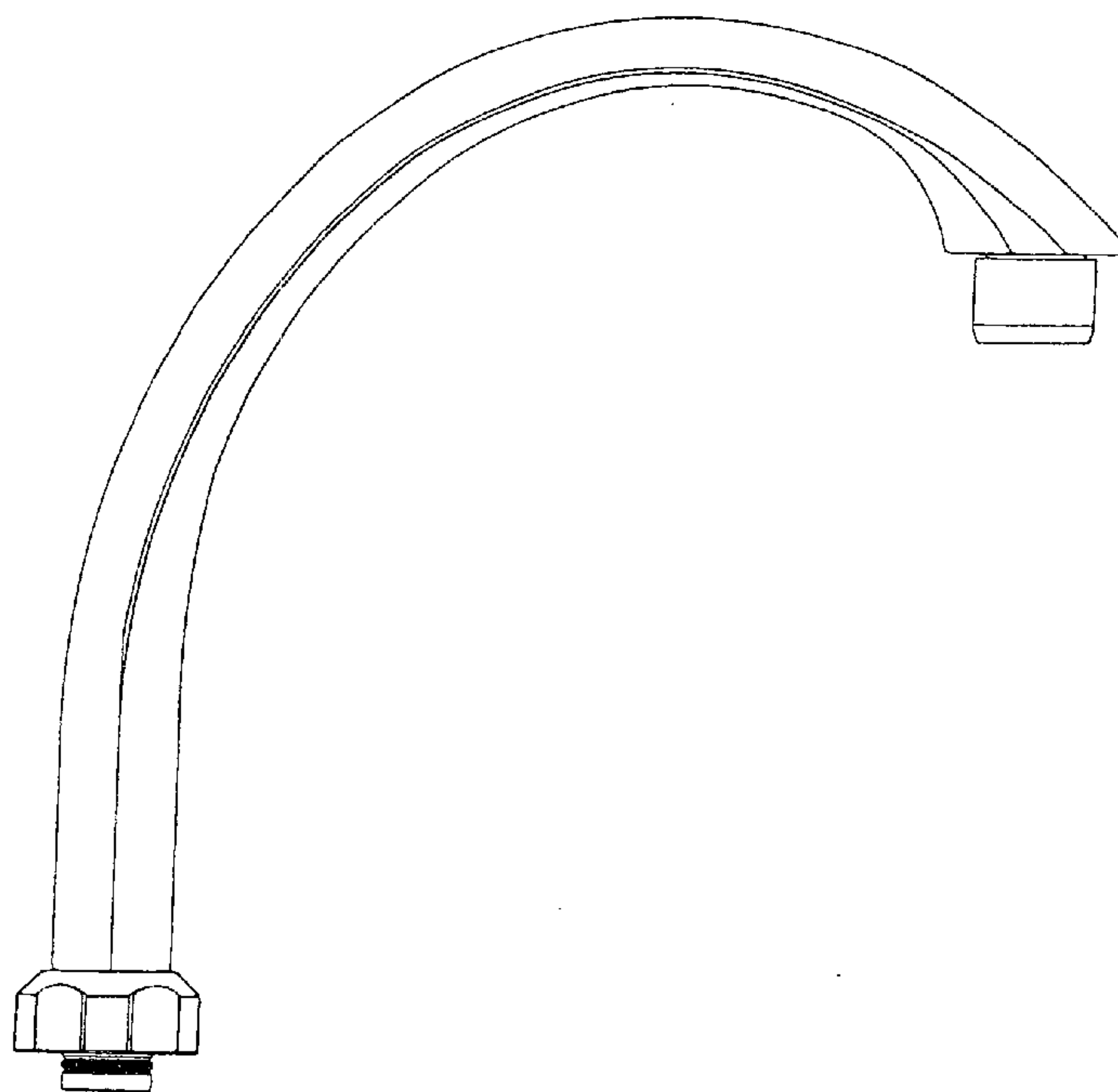


FIGURE 2

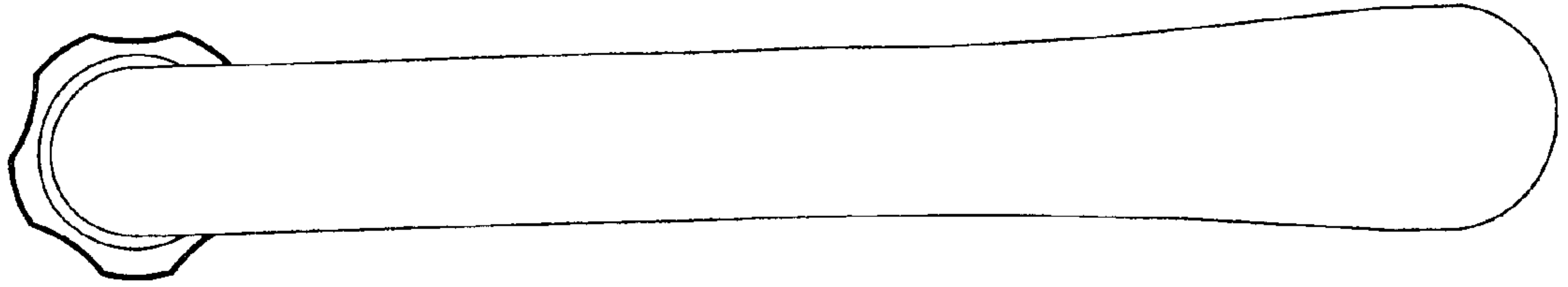


FIGURE 3

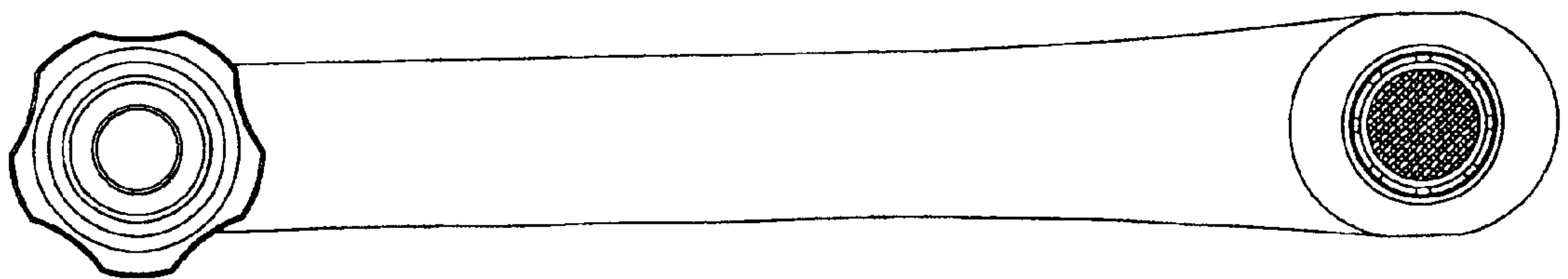


FIGURE 4