



US00D464113S

(12) **United States Design Patent**  
**Lord et al.**

(10) **Patent No.:** **US D464,113 S**

(45) **Date of Patent:** **\*\* Oct. 8, 2002**

(54) **FAUCET BODY**

D437,031 \* 1/2001 Nguyen et al. .... D23/238  
D437,032 \* 1/2001 Ko ..... D23/241

(75) Inventors: **Judd A. Lord**, Carmel, IN (US);  
**Anthony Spangler**, Greensburg, IN (US)

\* cited by examiner

(73) Assignee: **Masco Corporation of Indiana**,  
Indianapolis, ID (US)

*Primary Examiner*—Louis S. Zarfes

*Assistant Examiner*—Gregory Andoll

(\*\*) Term: **14 Years**

(74) *Attorney, Agent, or Firm*—Kwadjo Adusei-Poku;  
Lloyd D. Doigan

(21) Appl. No.: **29/140,919**

(57) **CLAIM**

The ornamental design for a faucet body, as shown and described.

(22) Filed: **Apr. 25, 2001**

**DESCRIPTION**

(51) **LOC (7) Cl.** ..... **23-01**

(52) **U.S. Cl.** ..... **D23/238**

(58) **Field of Search** ..... D23/238–257;  
4/675–678; 137/801

FIG. 1 is a top rear perspective view of a faucet body showing our new design;

FIG. 2 is a front elevational view thereof;

FIG. 3 is a rear elevational view thereof;

FIG. 4 is a right side view thereof;

FIG. 5 is a left side view thereof;

FIG. 6 is a top plan view thereof; and,

FIG. 7 is a bottom plan view thereof.

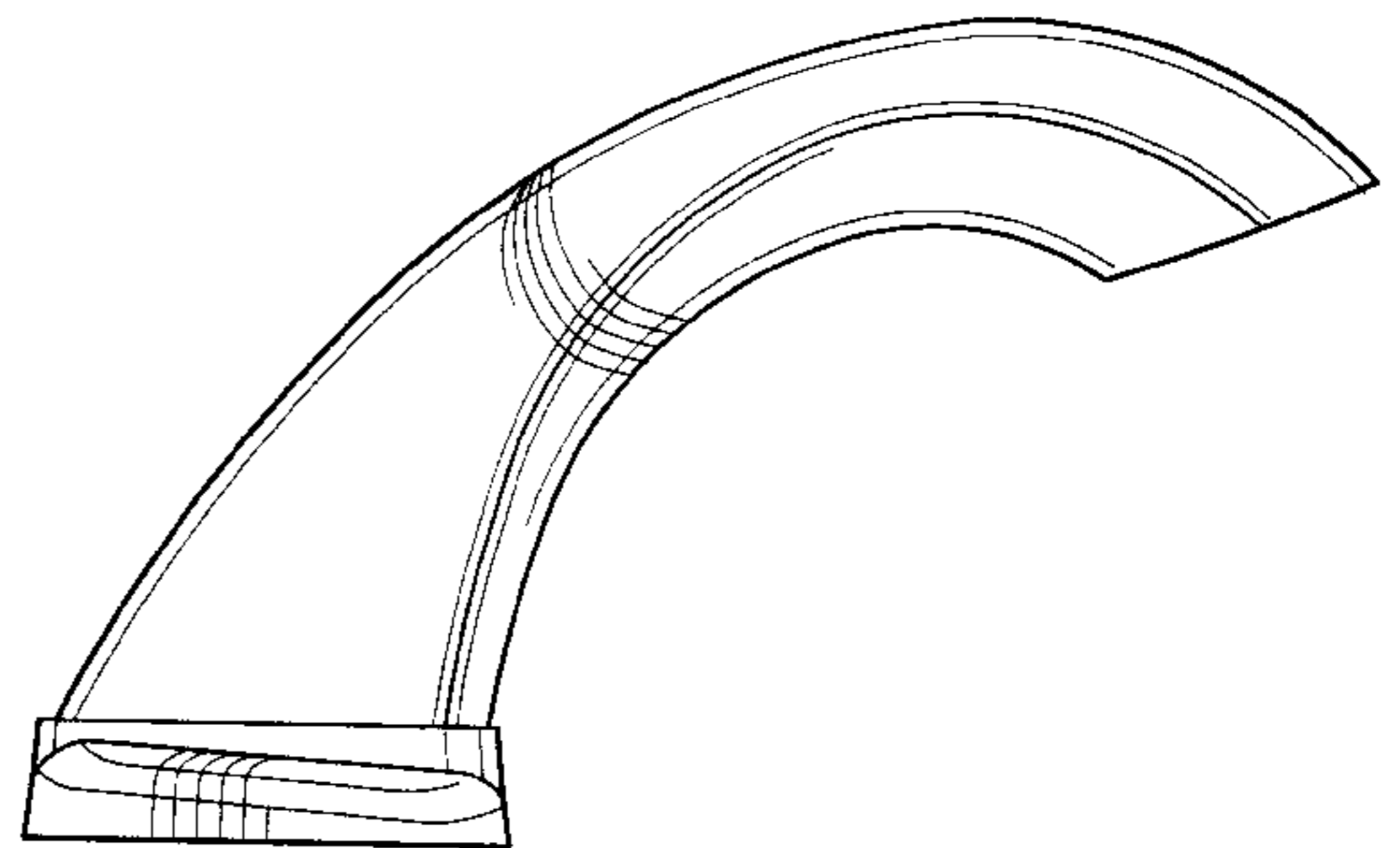
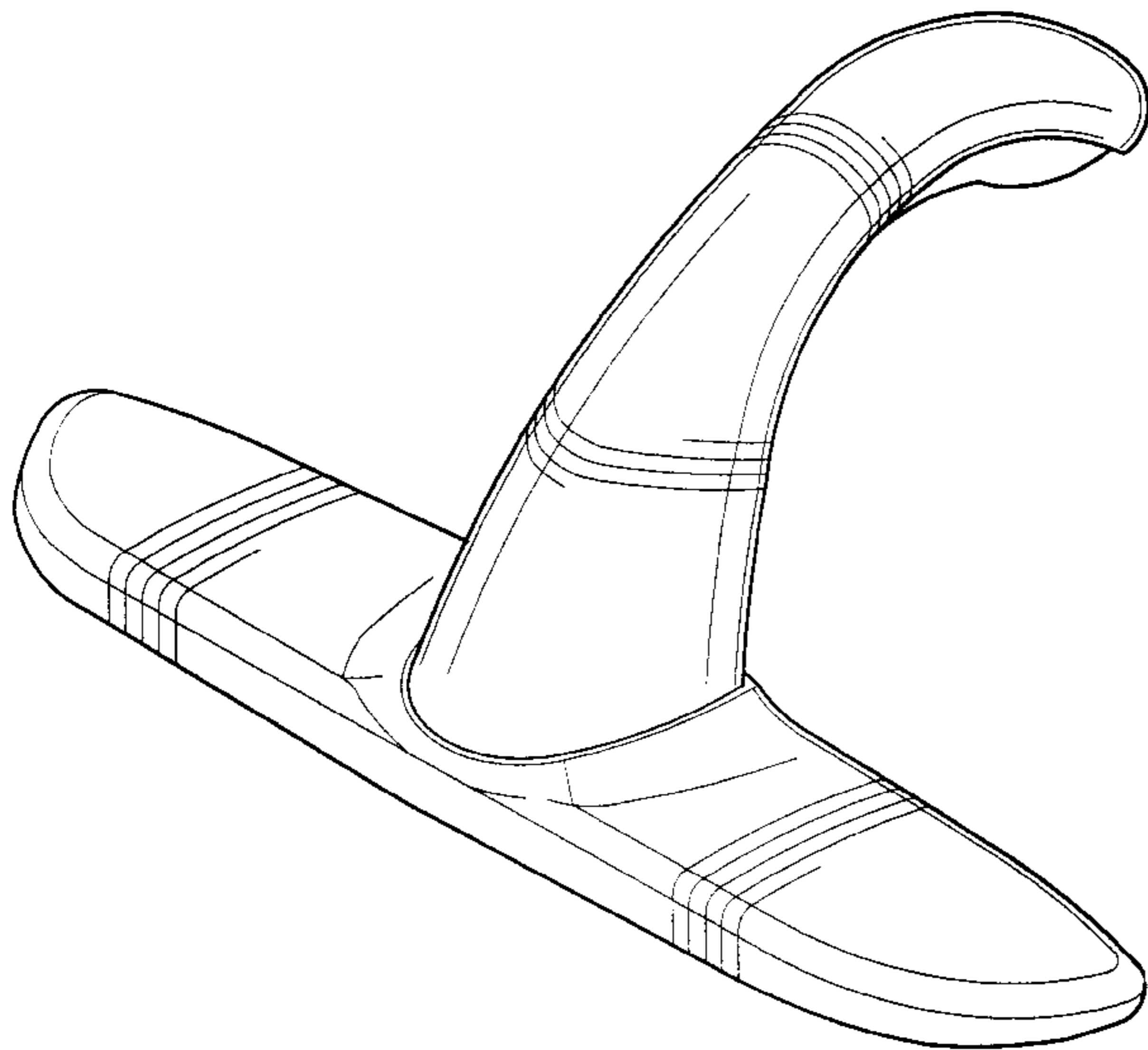
(56) **References Cited**

**U.S. PATENT DOCUMENTS**

D379,849 \* 6/1997 Hill et al. .... D23/255

D400,646 \* 11/1998 Hill et al. .... D23/241

**1 Claim, 3 Drawing Sheets**



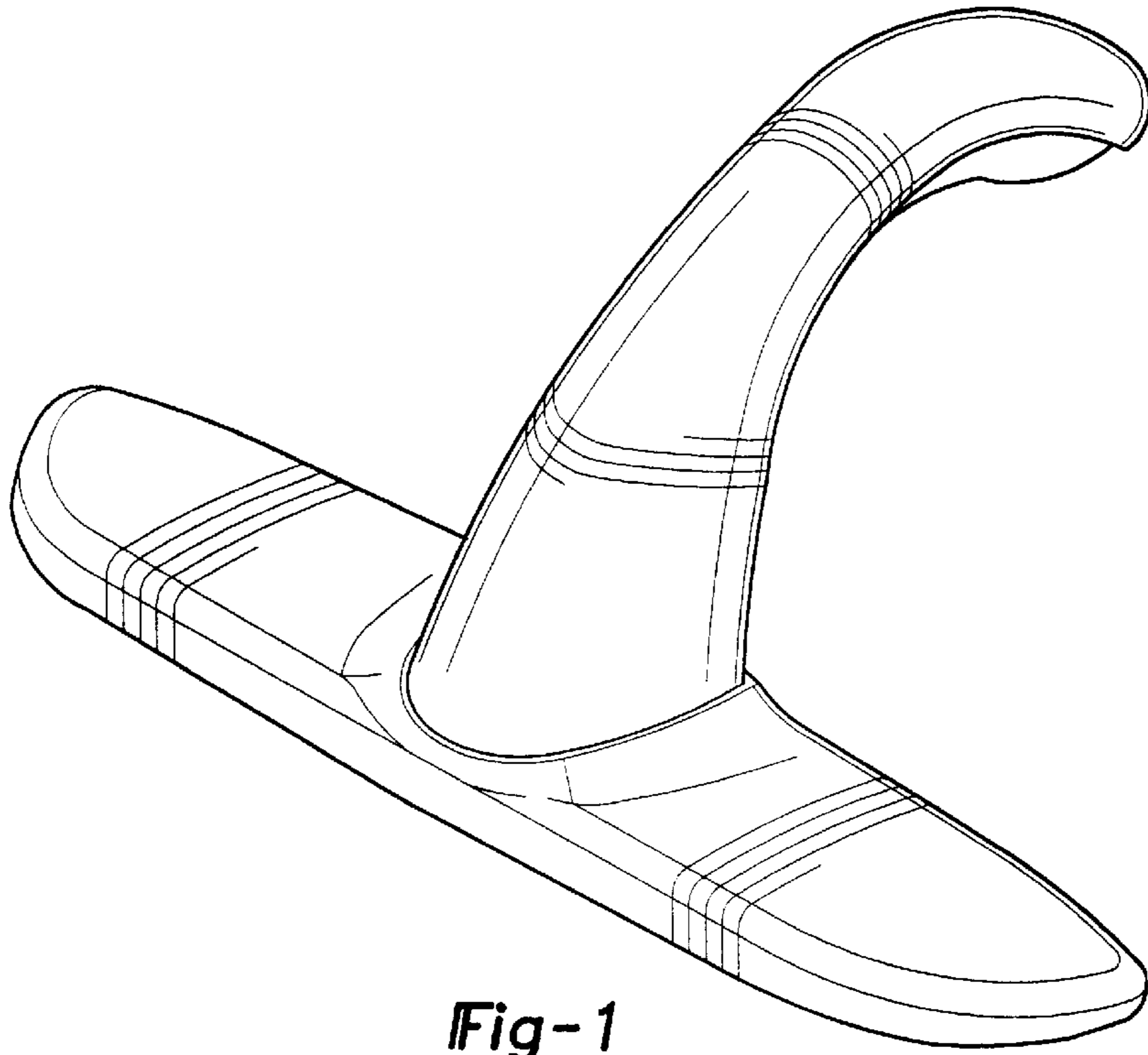


Fig-1

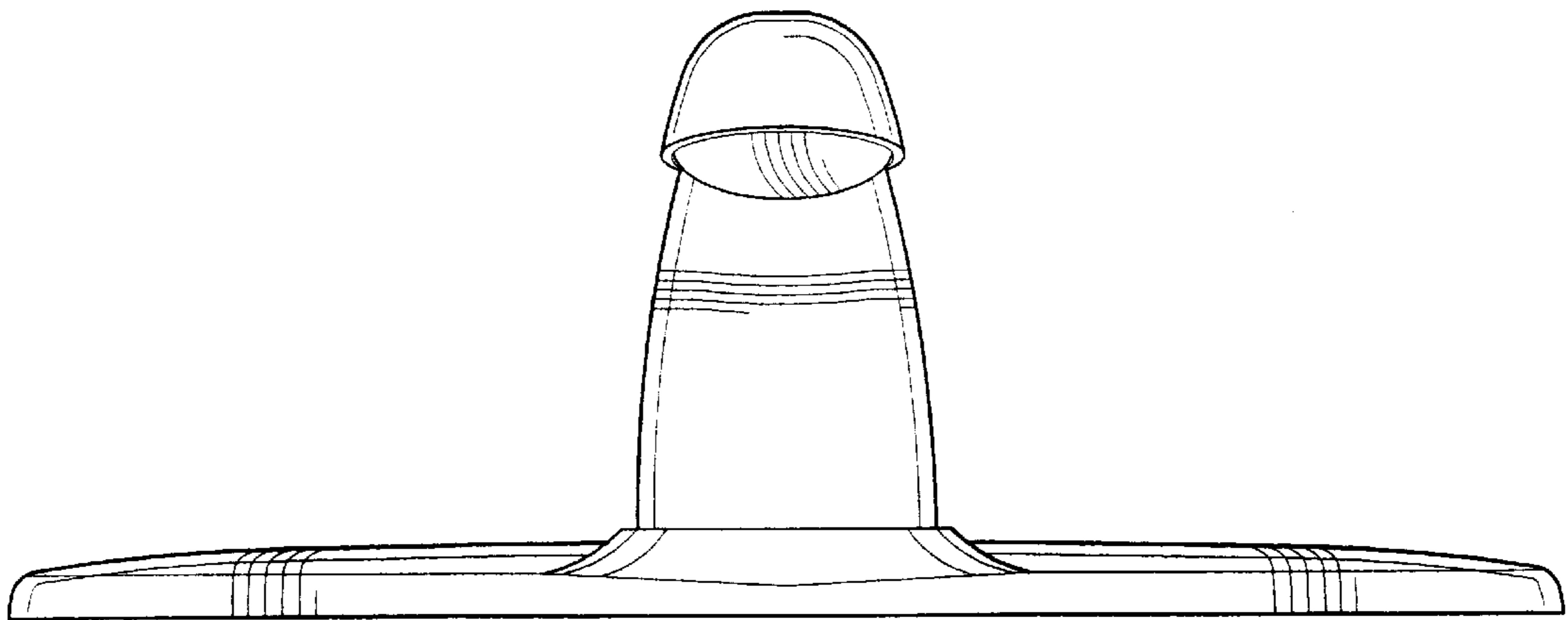


Fig-2

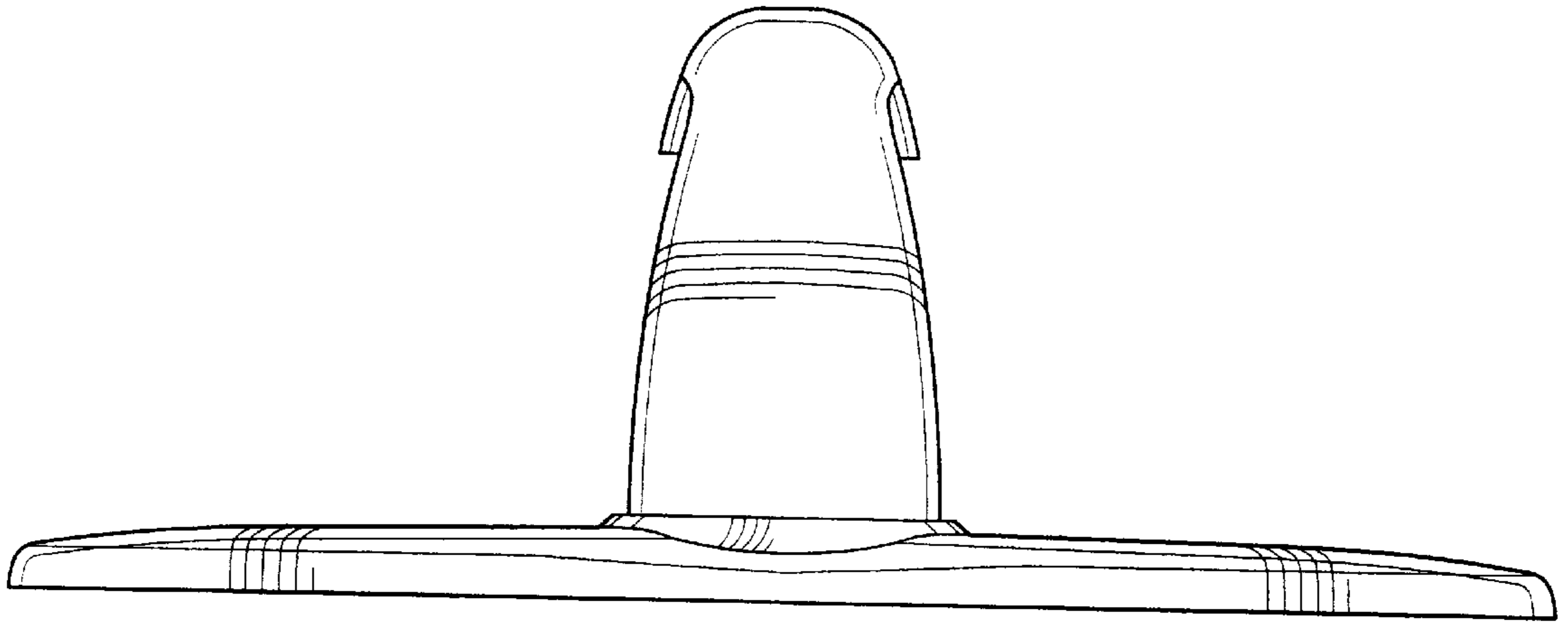


Fig-3

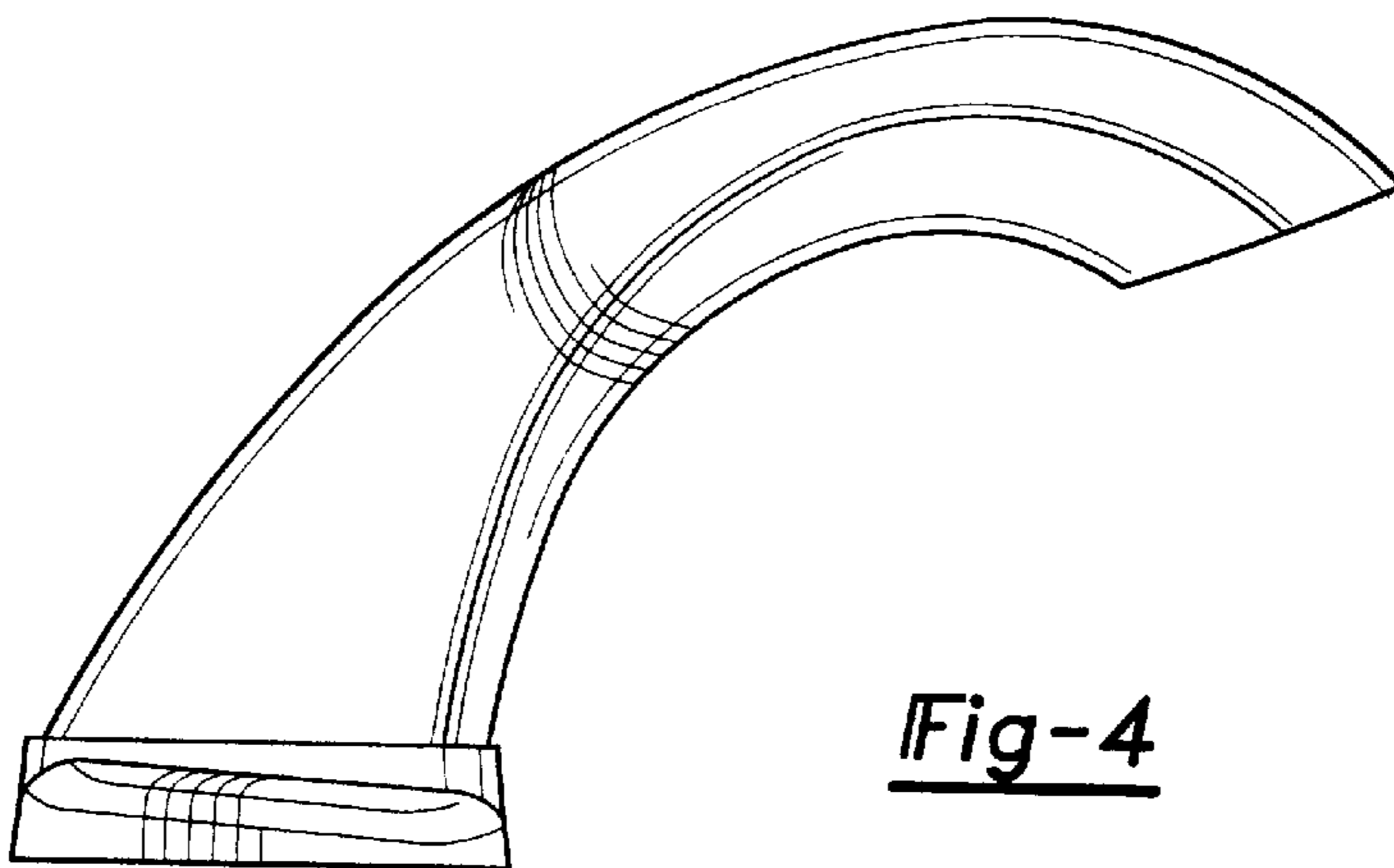


Fig-4

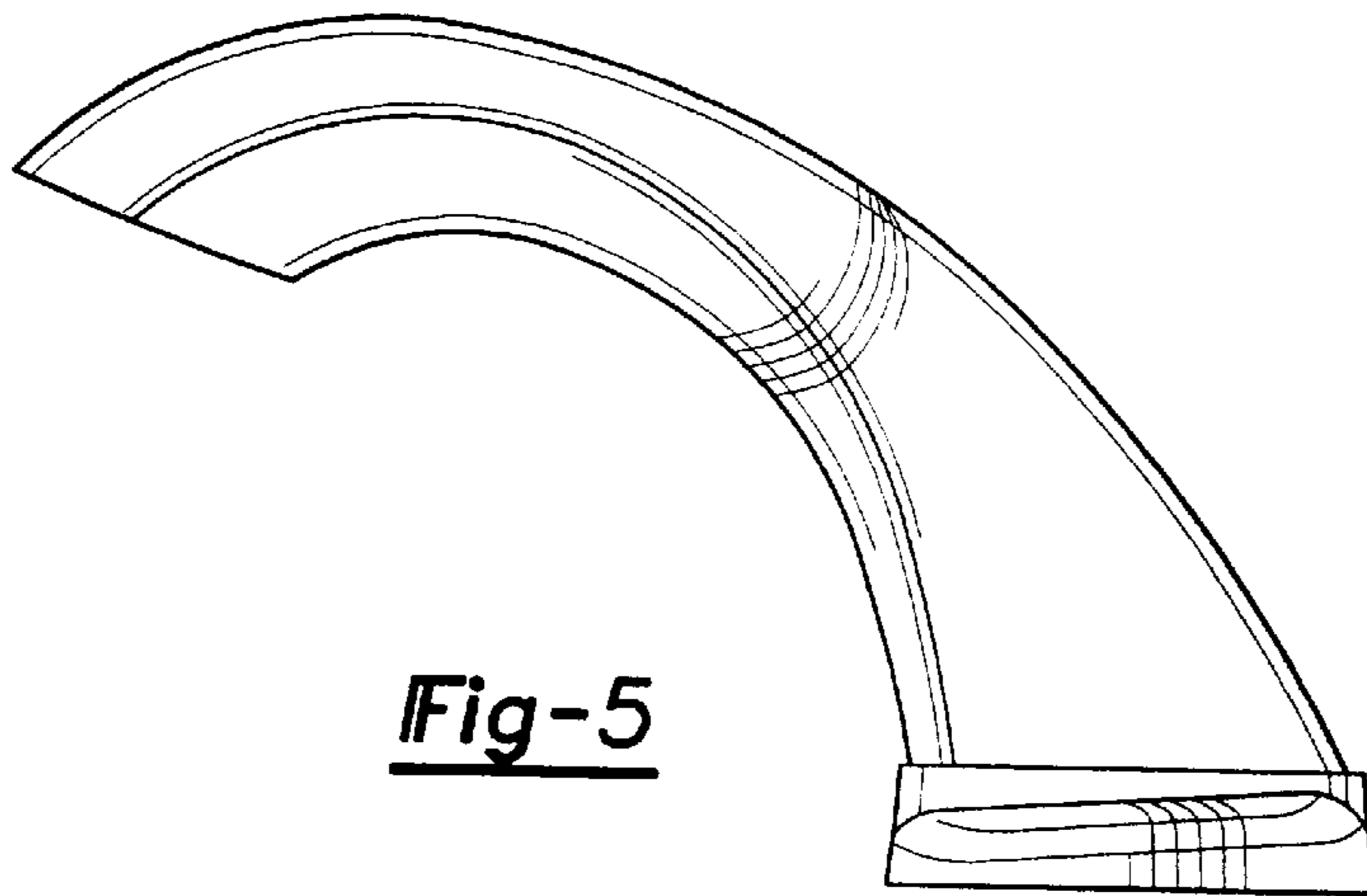


Fig-5

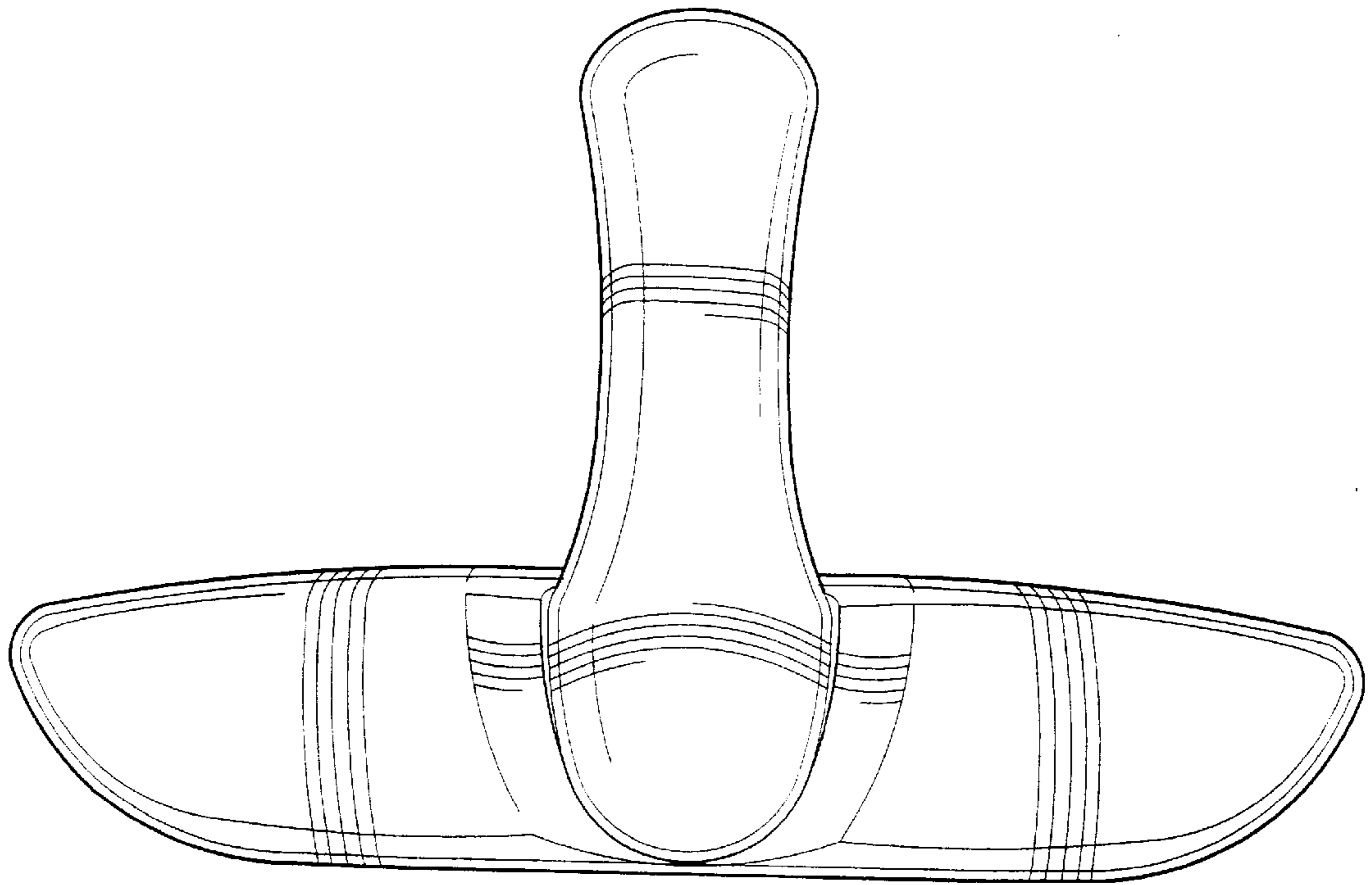


Fig-6

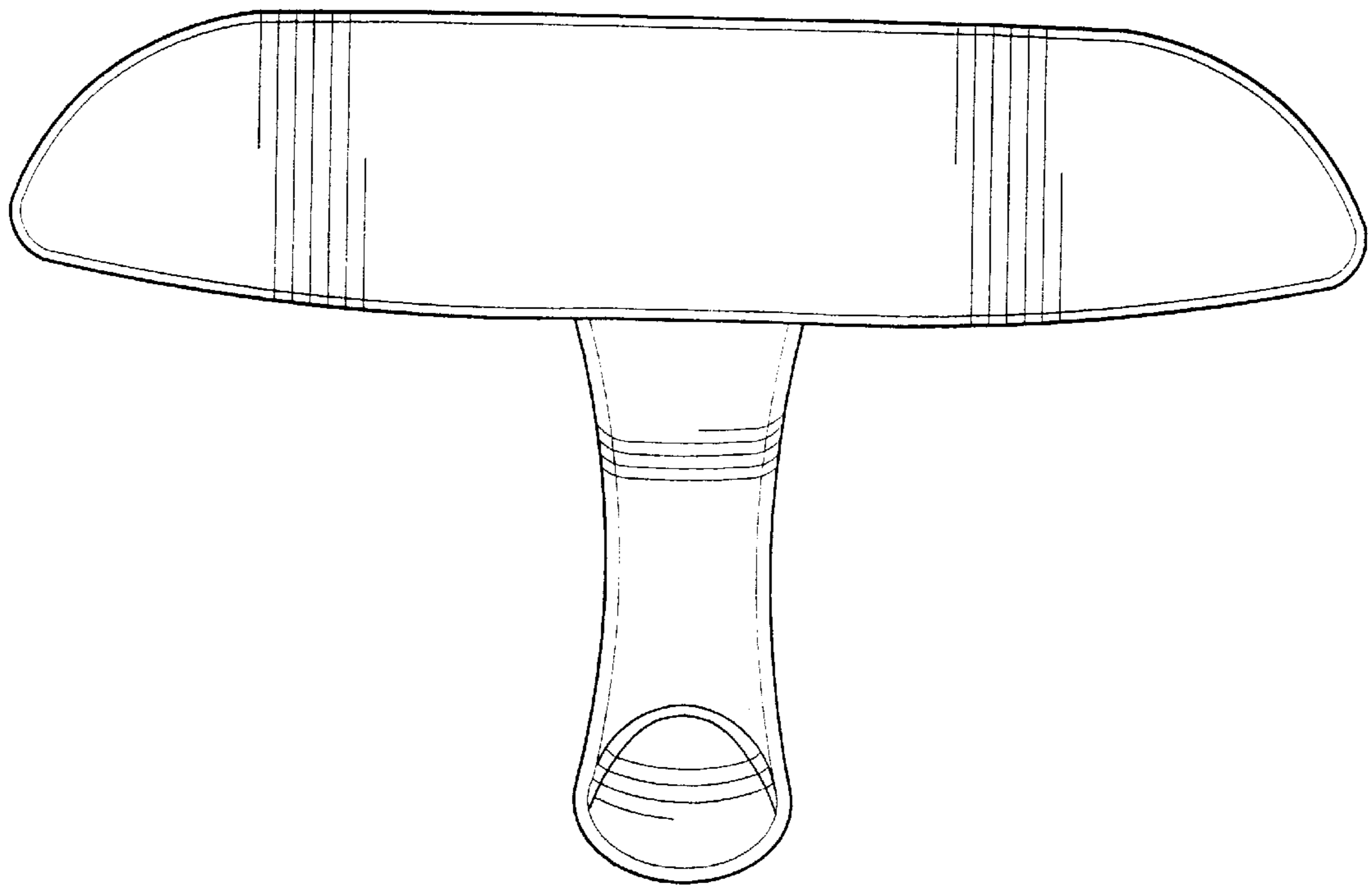


Fig-7