



US00D464110S

(12) **United States Design Patent**  
**Saraya**

(10) **Patent No.:** **US D464,110 S**

(45) **Date of Patent:** **\*\* Oct. 8, 2002**

(54) **AUTOMATIC WATER FAUCET SYSTEM**

(75) **Inventor:** **Ichiro Saraya, Osaka (JP)**

(73) **Assignee:** **Saraya Co., Ltd., Osaka (JP)**

(\*\*) **Term:** **14 Years**

(21) **Appl. No.:** **29/140,616**

(22) **Filed:** **Apr. 10, 2001**

(30) **Foreign Application Priority Data**

Oct. 13, 2000 (JP) ..... 2000-028870

(51) **LOC (7) Cl.** ..... **23-01**

(52) **U.S. Cl.** ..... **D23/238; D23/255**

(58) **Field of Search** ..... **D23/238-257,**  
**D23/260; 4/675-678; 16/110 R-121; D8/300-308**

(56) **References Cited**

**U.S. PATENT DOCUMENTS**

D31,599 S	*	10/1899	Hills	.....	D23/238
D267,189 S	*	12/1982	Thompson	.....	D23/255
D300,942 S	*	5/1989	Paul	.....	D23/242
D318,906 S	*	8/1991	Spangler	.....	D23/255
D419,643 S	*	1/2000	Gottwald et al.	.....	D23/238

\* cited by examiner

*Primary Examiner*—Louis S. Zarfes

*Assistant Examiner*—Gregory Andoll

(74) *Attorney, Agent, or Firm*—Reising, Ethington, Barnes,  
Kisselle, Learman & McCulloch, P.C.

(57) **CLAIM**

The ornamental design for an automatic water faucet system, as shown and described.

**DESCRIPTION**

FIG. 1 is a top view of an automatic water faucet system, showing my new design;

FIG. 2 is a front view thereof;

FIG. 3 is a bottom view thereof;

FIG. 4 is a side view as seen from the right side of FIG. 2;

FIG. 5 is a side view as seen from the left side of FIG. 2;

FIG. 6 is a rear view thereof;

FIG. 7 is a sectional view taken on the line 7—7 FIG. 2, with internal configuration omitted;

FIG. 8 is a sectional view taken on the line 8—8 FIG. 2, with internal configuration omitted;

FIG. 9 is a sectional view taken on the line 9—9 FIG. 1, with internal configuration omitted;

FIG. 10 is a sectional view taken on the line 10—10 FIG. 1, with internal configuration omitted;

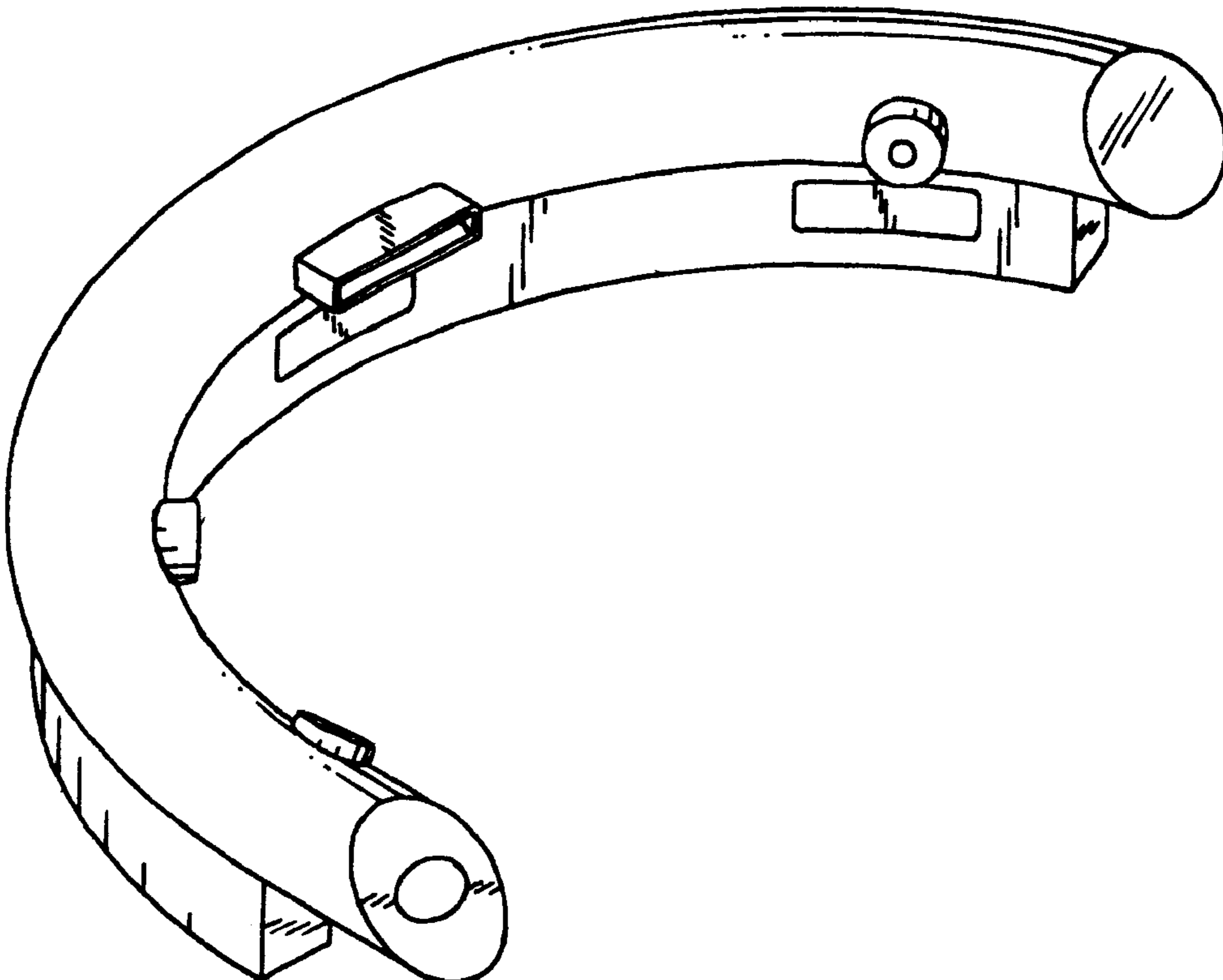
FIG. 11 is a sectional view taken on the line 11—11 FIG. 1, with internal configuration omitted;

FIG. 12 is a perspective view thereof; and,

FIG. 13 is a perspective view thereof, shown mounted on a washstand.

The broken line showing of the washstand in FIG. 13 is for illustrative purposes only and forms no part of the claimed design.

**1 Claim, 3 Drawing Sheets**



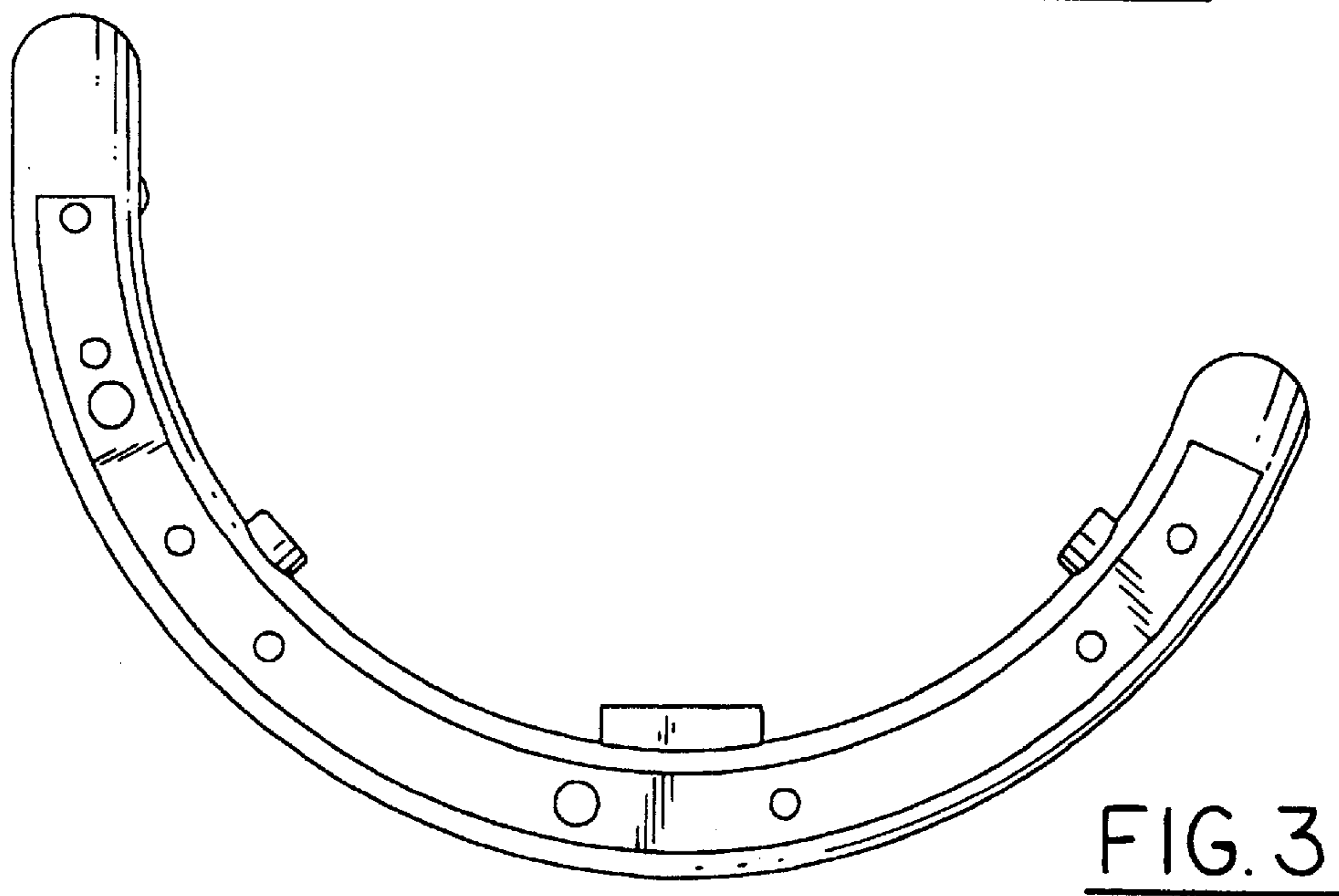
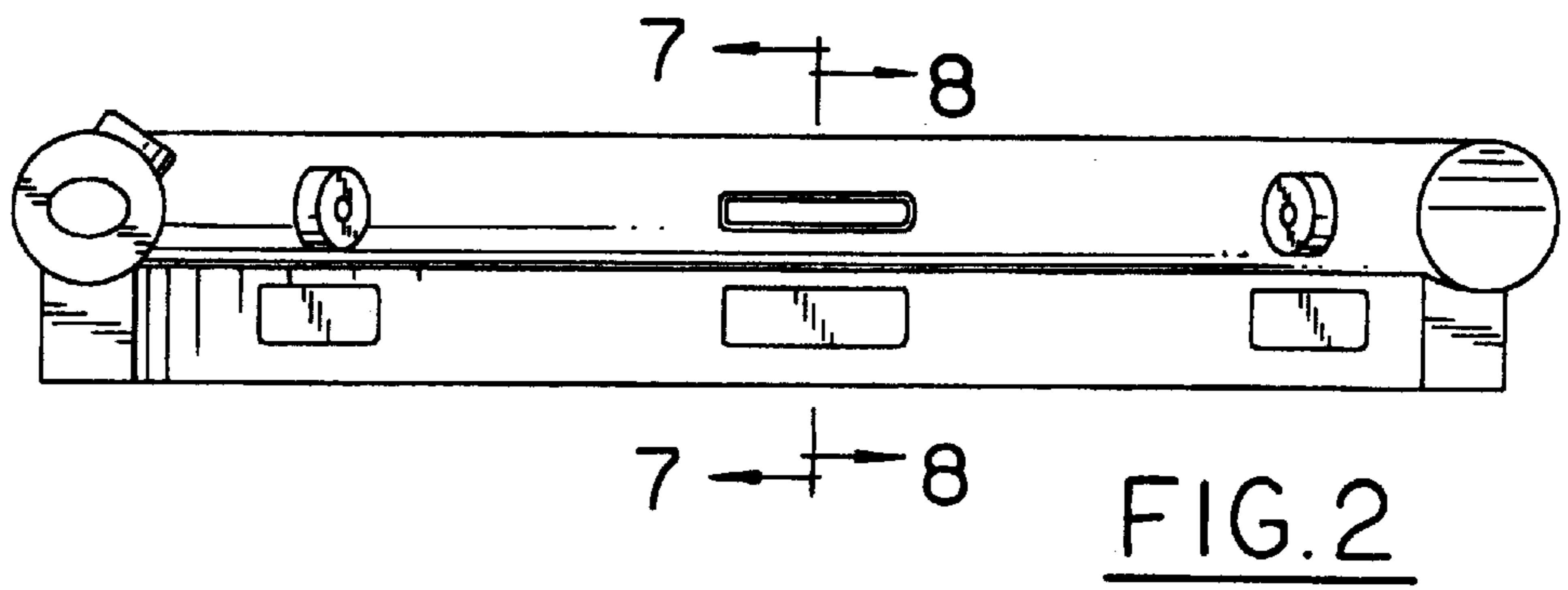
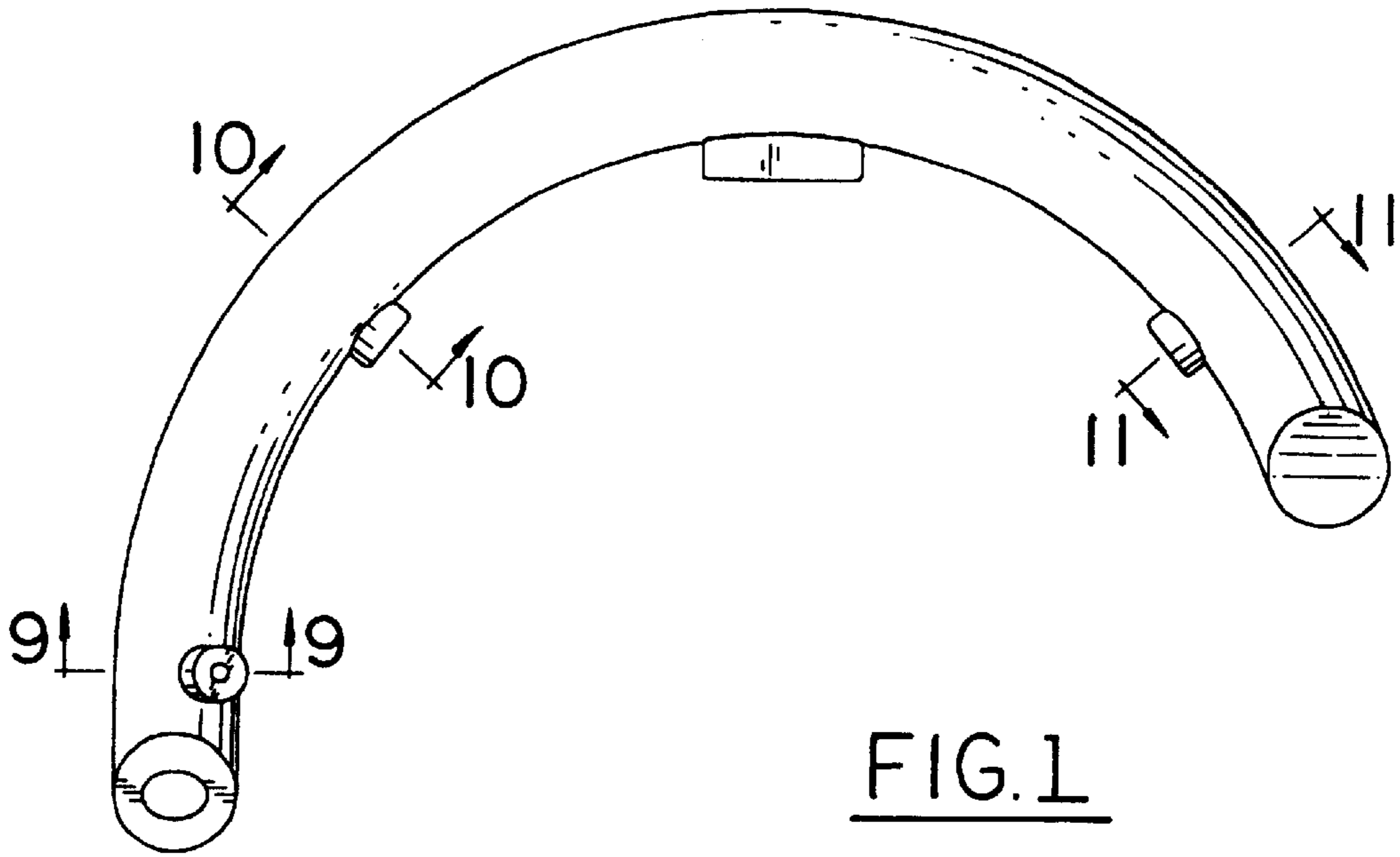


FIG. 4

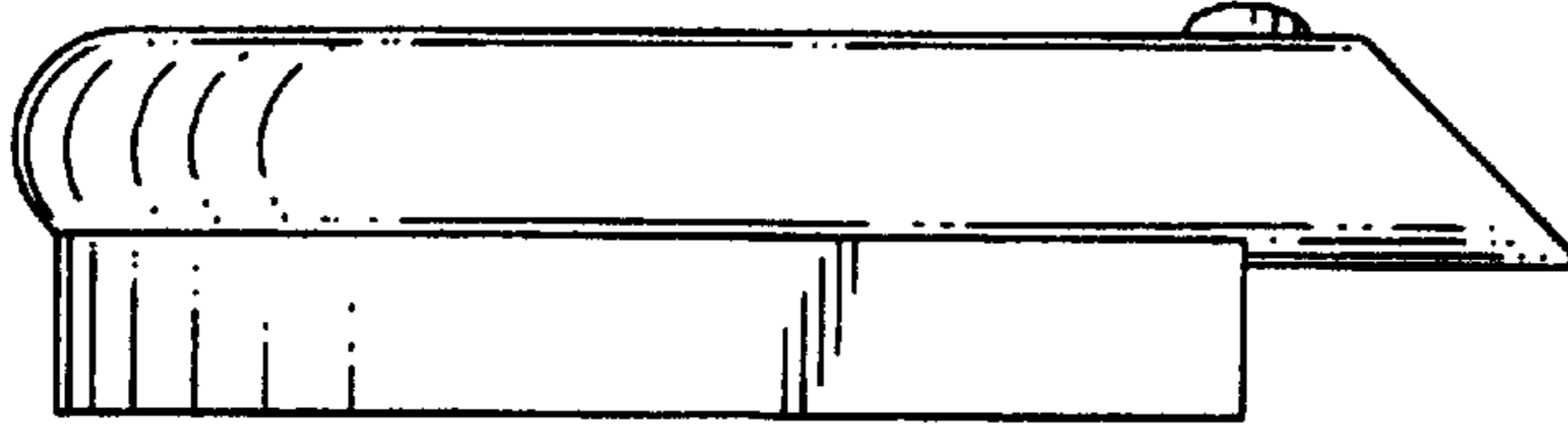
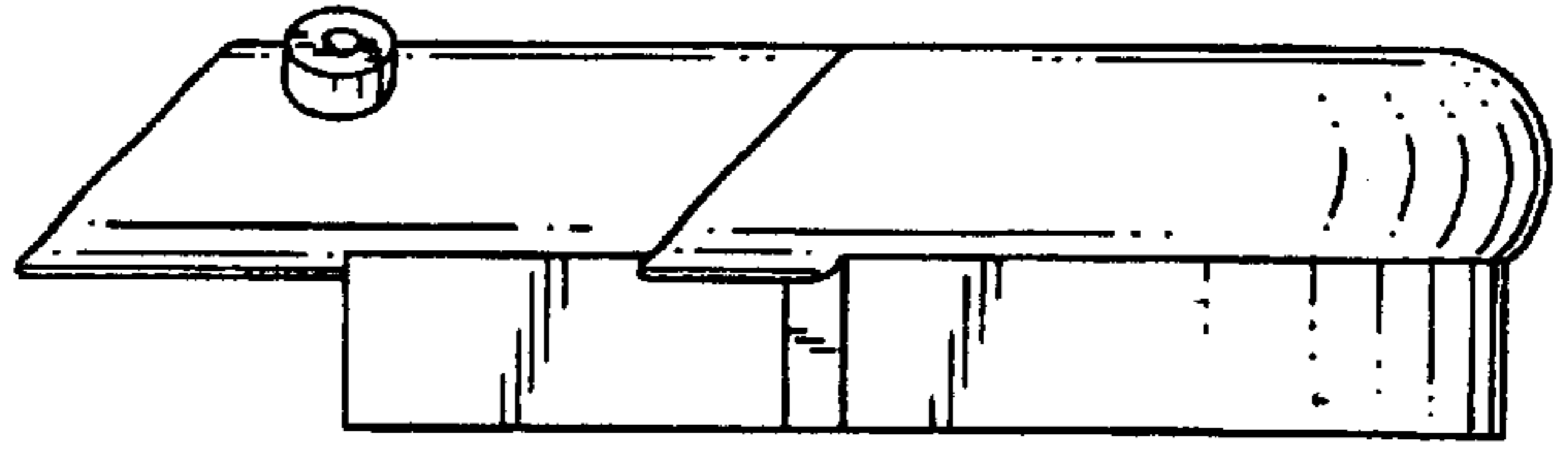


FIG. 5

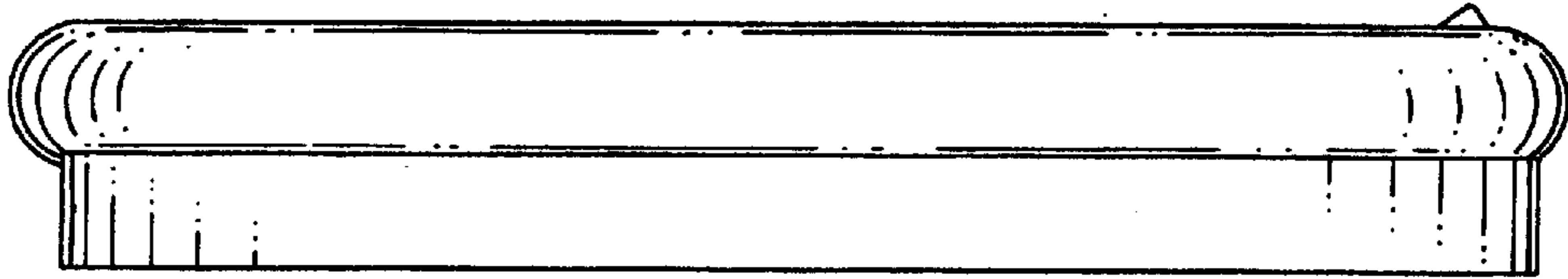


FIG. 6

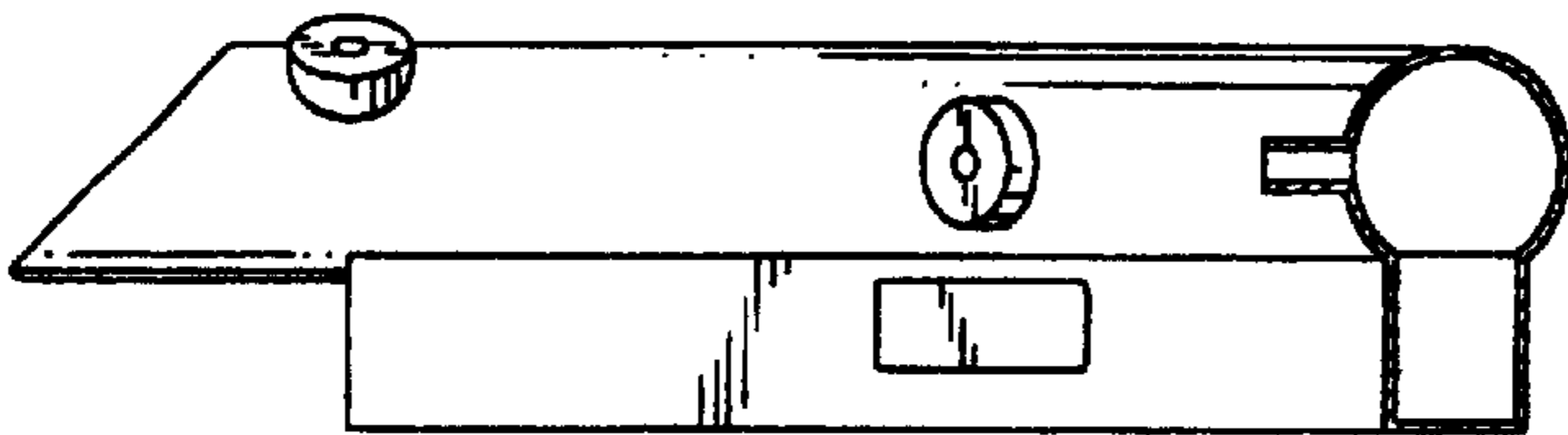


FIG. 7

FIG. 8

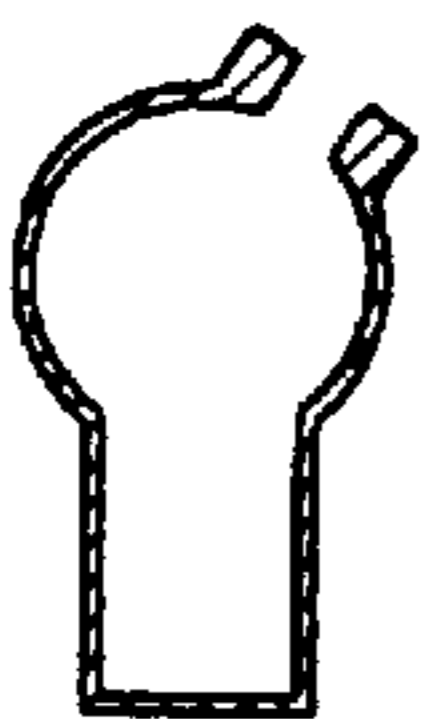
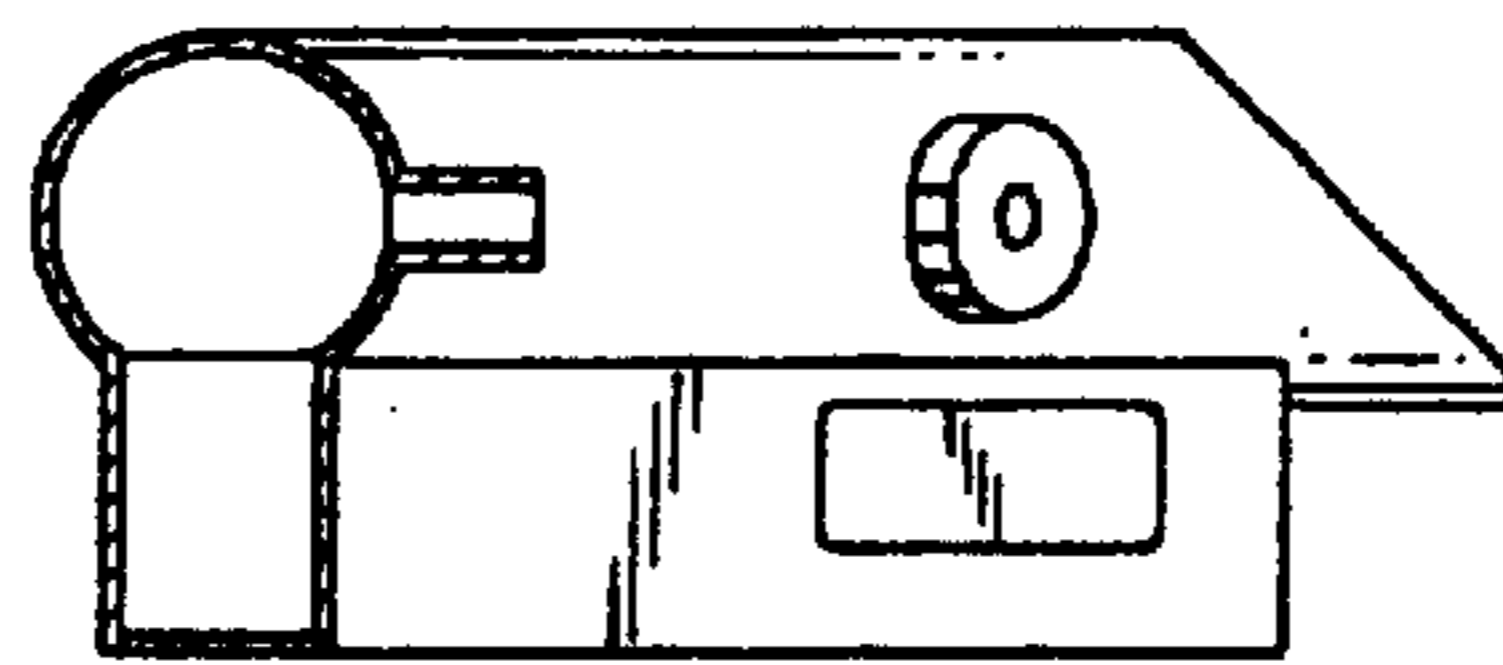


FIG. 9

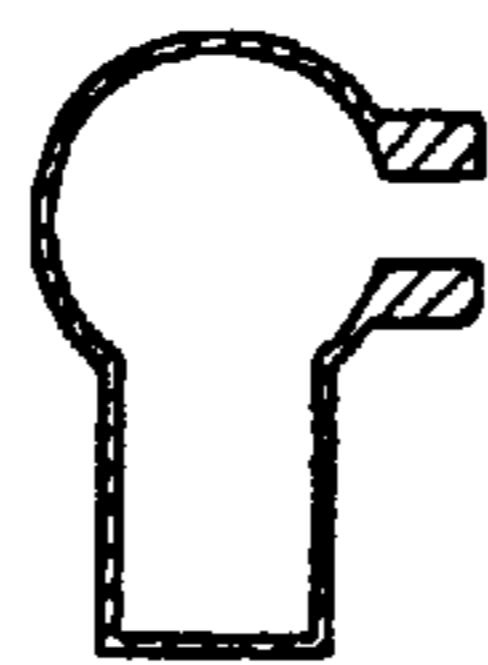


FIG. 10

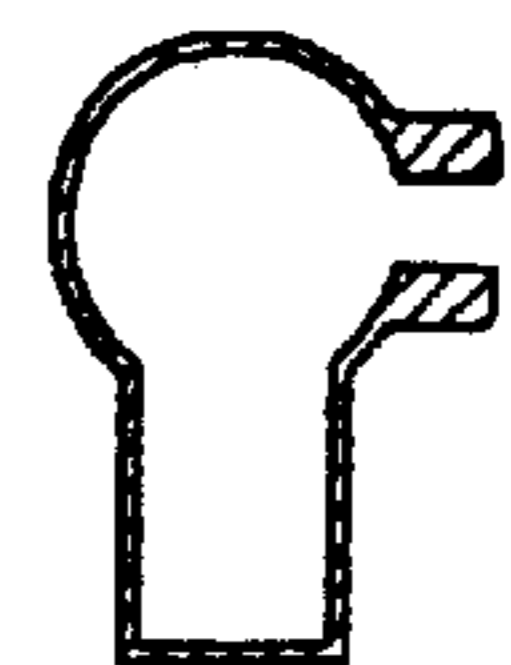


FIG. 11

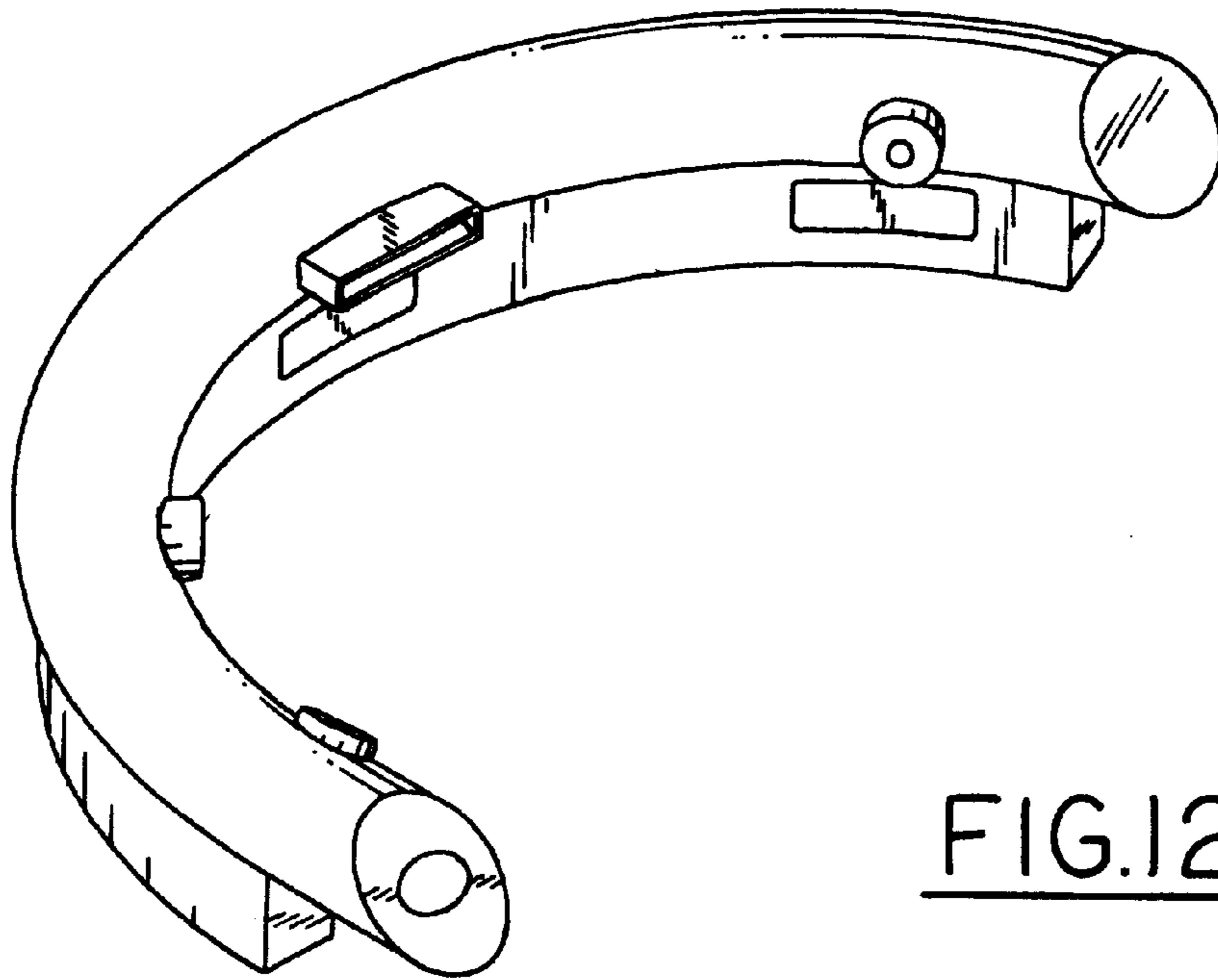


FIG. 12

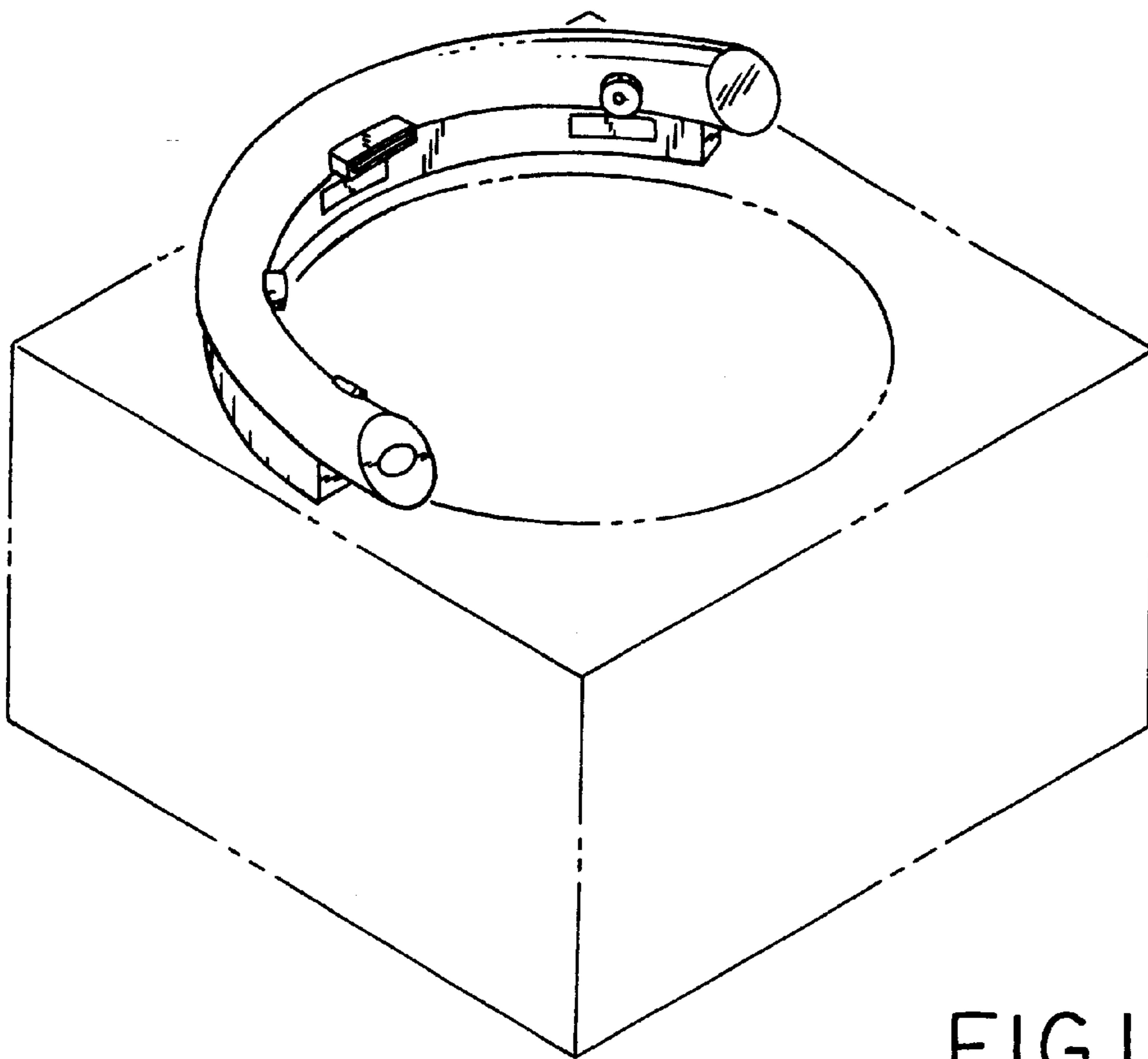


FIG. 13