



US00D464107S

(12) **United States Design Patent**  
**Holmes et al.**

(10) **Patent No.:** **US D464,107 S**  
(45) **Date of Patent:** **\*\* Oct. 8, 2002**

(54) **DISPENSER HOUSING**

FOREIGN PATENT DOCUMENTS

(75) Inventors: **Justin B. Holmes**, Milwaukee, WI  
(US); **Peter M. Neumann**, Racine, WI  
(US)

DE 3817373 A1 11/1989  
EP 0 465 975 A1 1/1992  
FR 2200414 4/1974  
WO WO99/24679 A1 5/1999

(73) Assignee: **S. C. Johnson & Son, Inc.**, Racine, WI  
(US)

\* cited by examiner

(\*\*) Term: **14 Years**

*Primary Examiner*—Robin V. Taylor

(21) Appl. No.: **29/154,158**

(22) Filed: **Jan. 17, 2002**

(51) **LOC (7) Cl.** ..... **23-01**

(52) **U.S. Cl.** ..... **D23/208**

(58) **Field of Search** ..... D23/208, 366,  
D23/368; 4/231, 232, 227.1

(57) **CLAIM**

The ornamental design for a dispenser housing, as shown and described.

**DESCRIPTION**

In a preferred embodiment, the nature of this product is as an under the toilet rim dispensing device for dispensing materials dissolved from a solid block by toilet flush water into a toilet.

FIG. 1 is a bottom, left, frontal perspective view of a dispenser housing embodying our new design;

FIG. 2 is a front view thereof;

FIG. 3 is a left side elevational view thereof, the right side being the mirror image thereof;

FIG. 4 is a rear view thereof;

FIG. 5 is a top plan view thereof; and,

FIG. 6 is a bottom view thereof.

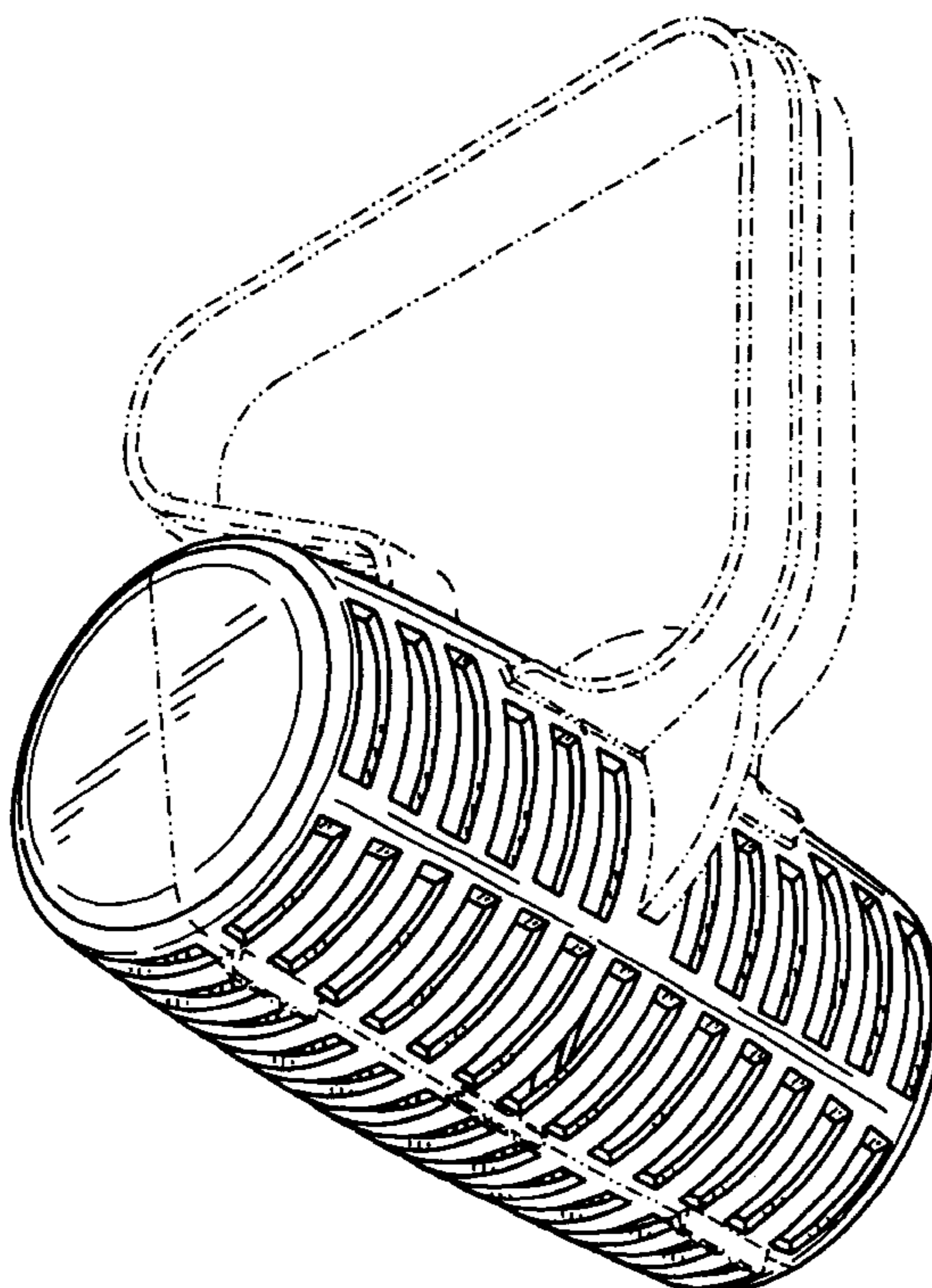
The dotted line representations of a hanger structure in FIGS. 1, 2, 3, 4 and 6, and of an attachment hole in FIG. 2, are for illustrative purposes only and form no part of the claimed design.

(56) **References Cited**

U.S. PATENT DOCUMENTS

457,659 A *	8/1891	McCartney	.....	4/231
D191,106 S *	8/1961	Pannutti	.....	D23/208
D243,850 S	3/1977	Davenport		
4,143,431 A	3/1979	Goncalves		
D253,123 S	10/1979	Jones		
D257,738 S	12/1980	Manthei		
4,254,513 A	3/1981	Cretin et al.		
4,301,556 A *	11/1981	Schimanski	.....	4/231
D263,414 S	3/1982	Dolan		
D273,607 S	4/1984	Joyaux et al.		
RE32,017 E	11/1985	Hautmann et al.		
4,615,054 A	10/1986	Buecheler et al.		
D307,934 S *	5/1990	Verebelyi	.....	D23/208

**1 Claim, 3 Drawing Sheets**



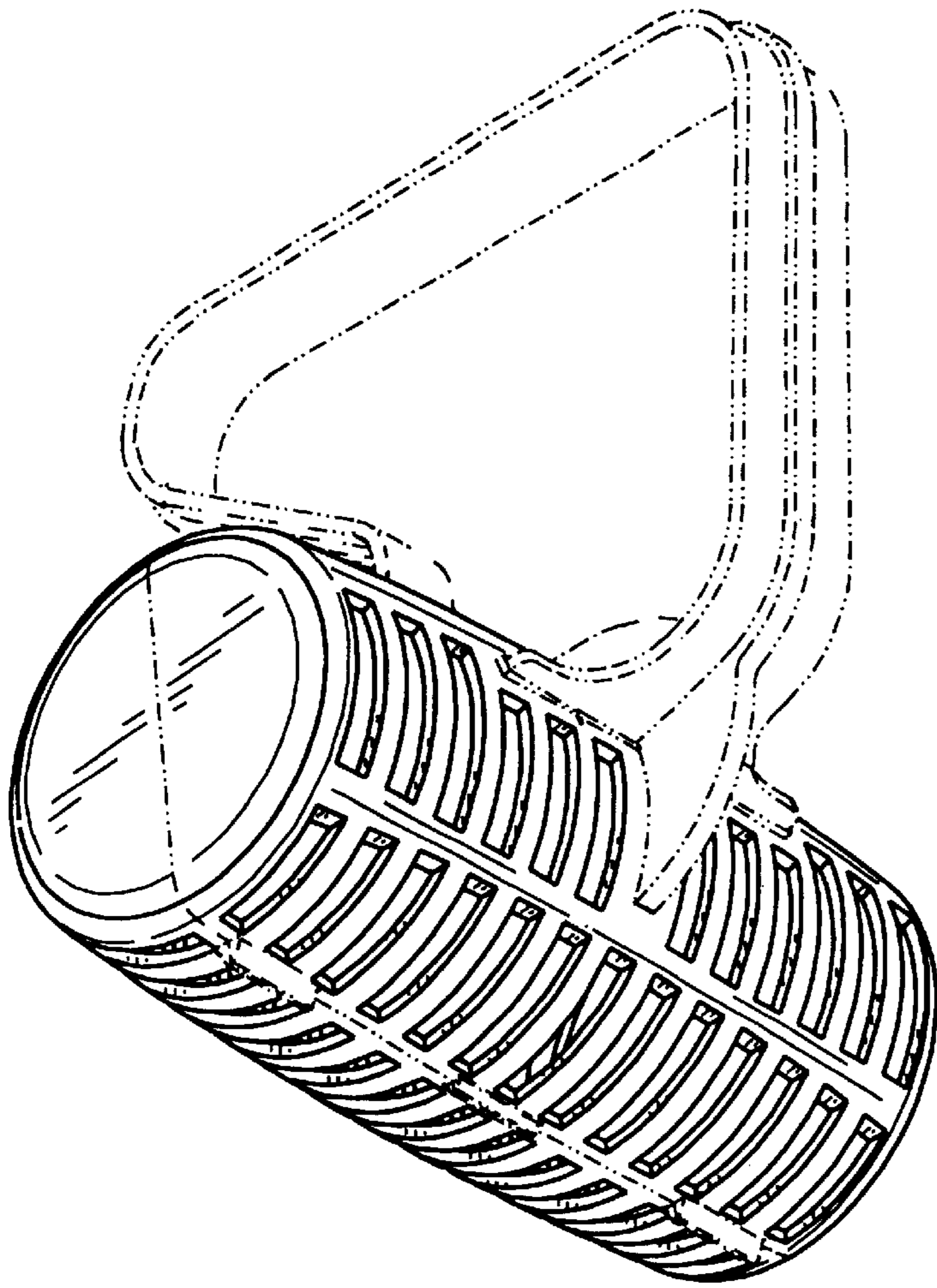


FIG. 1

FIG. 2

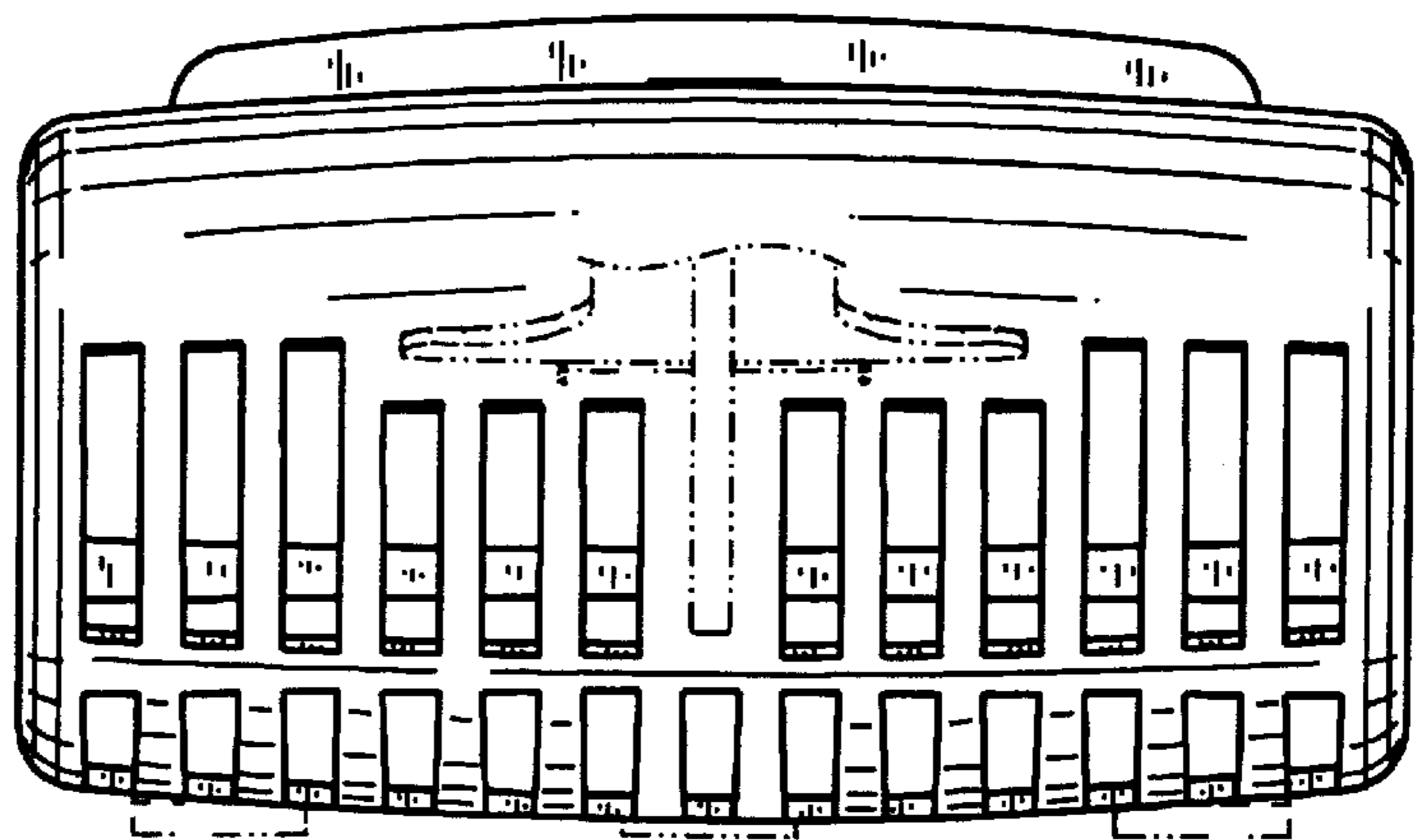


FIG. 3

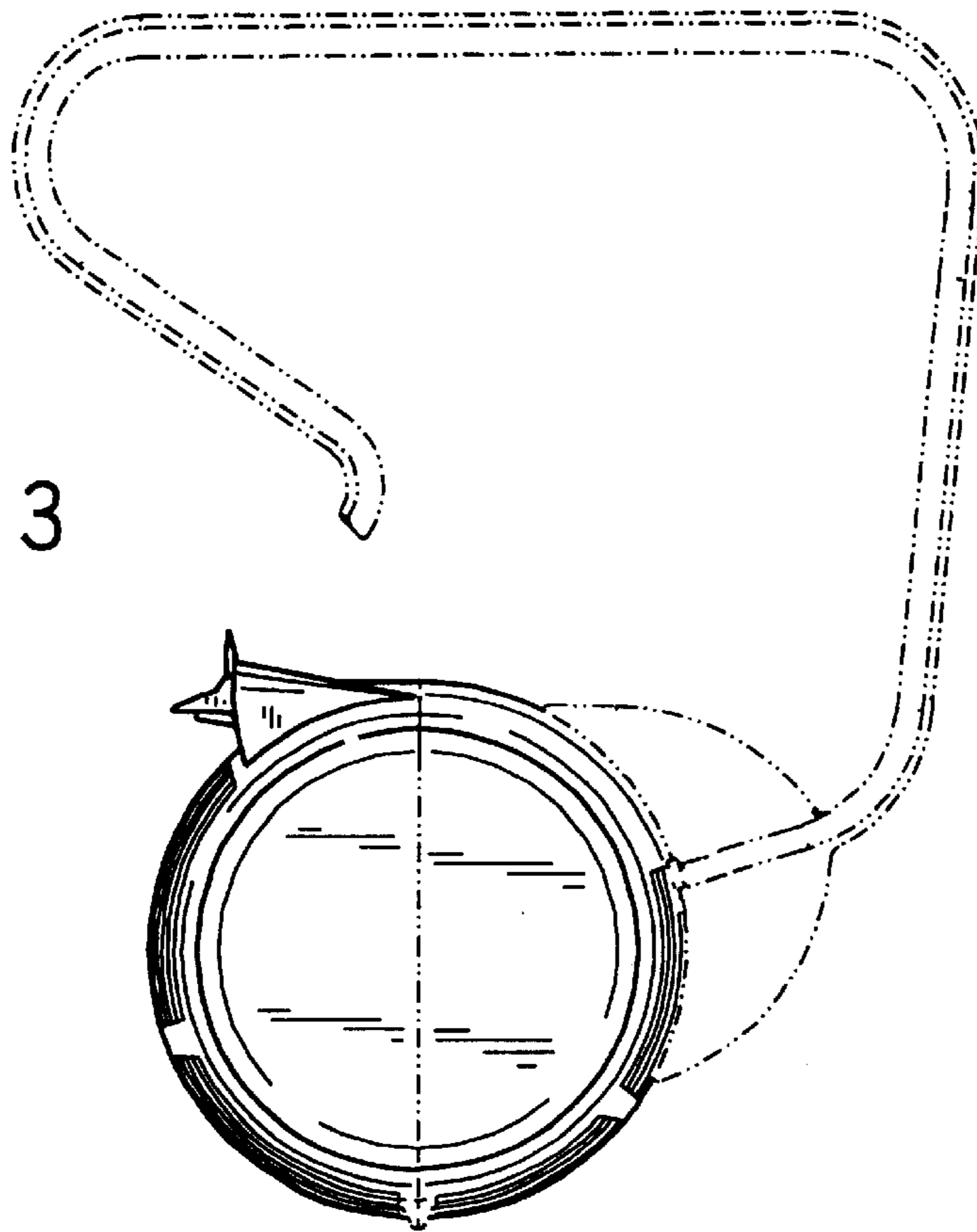


FIG. 4

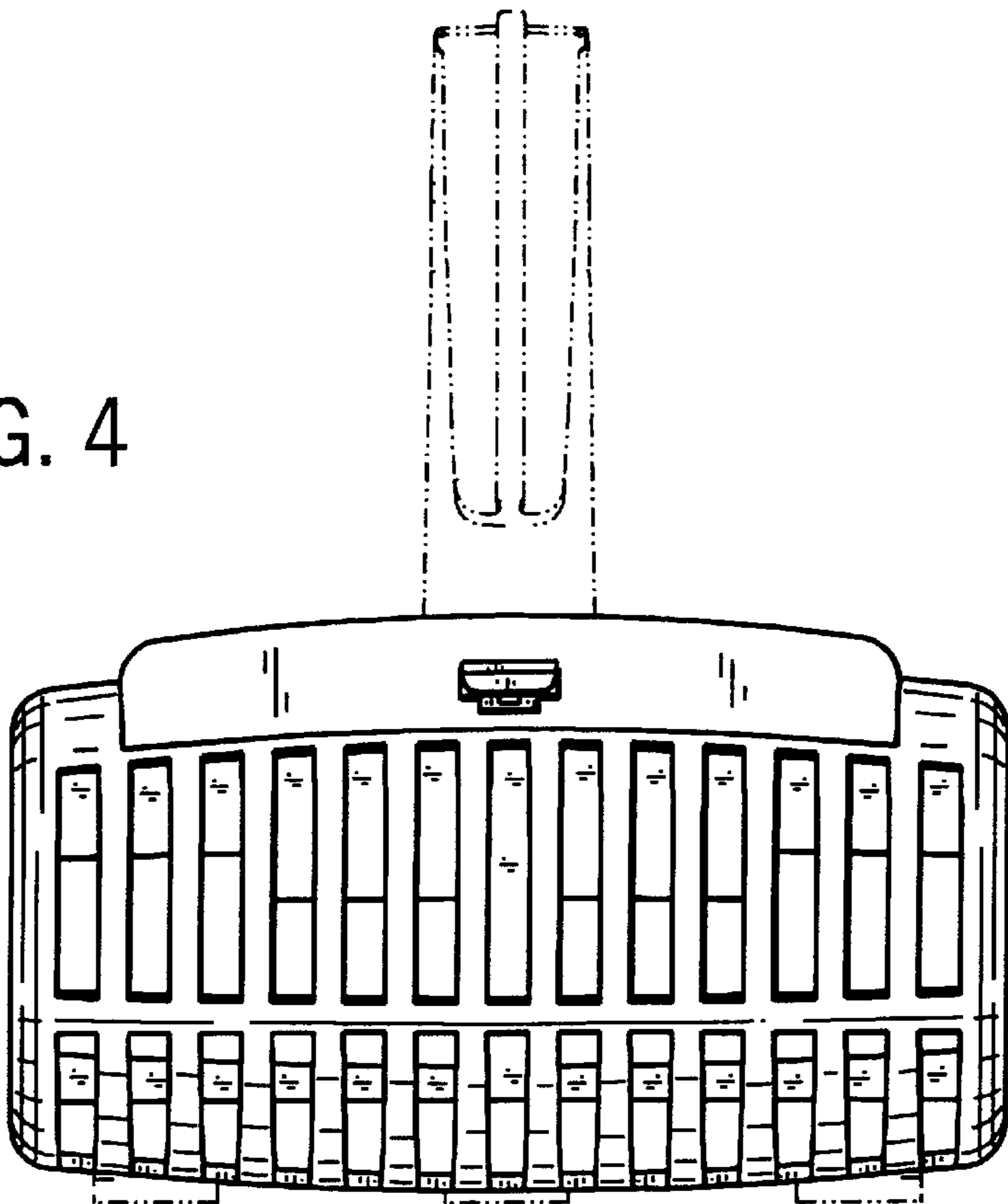


FIG. 5

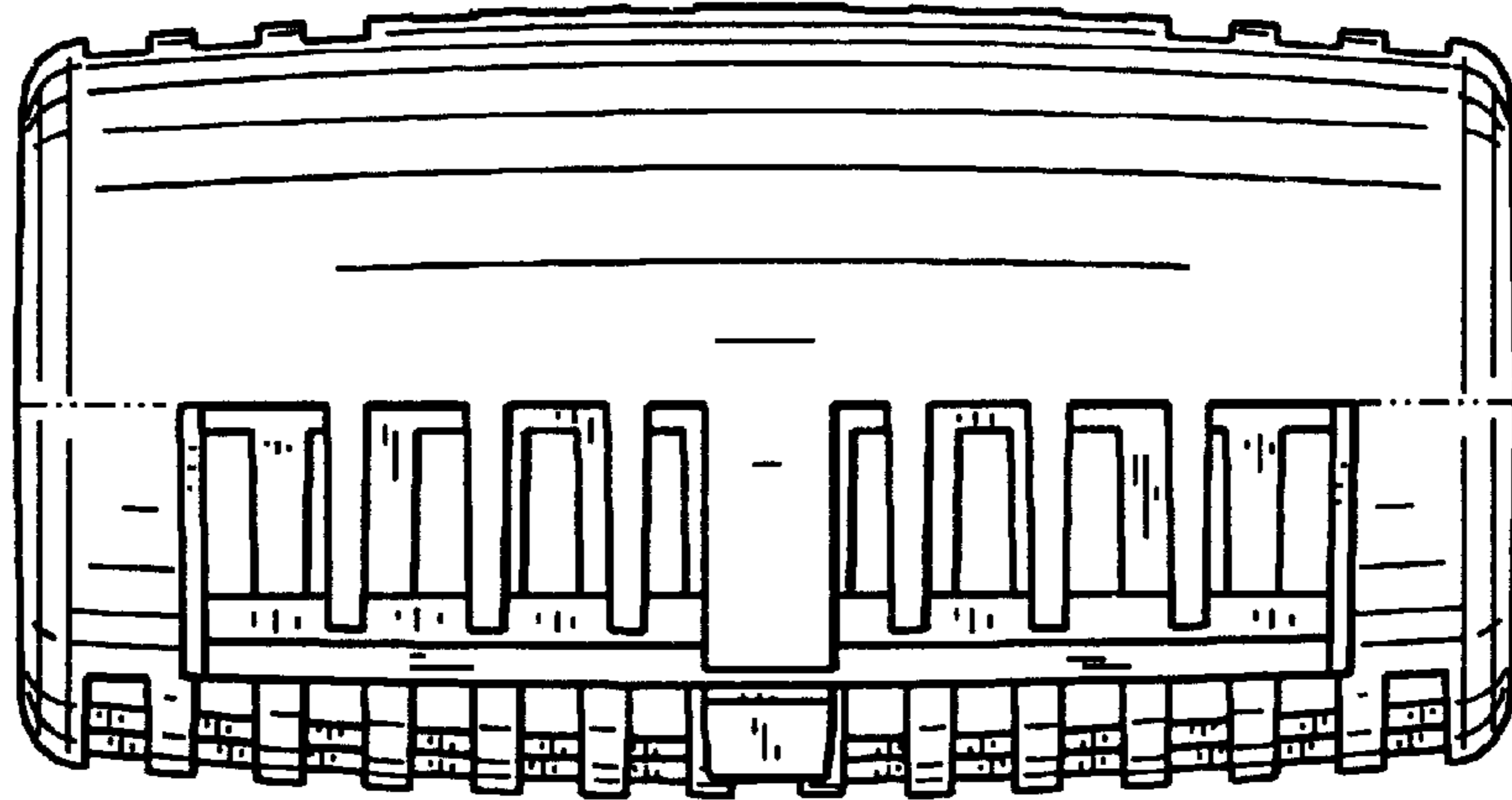


FIG. 6

