



US00D464096S

(12) **United States Design Patent**  
**Lee**

(10) **Patent No.:** **US D464,096 S**  
(45) **Date of Patent:** **\*\* Oct. 8, 2002**

(54) **HOUSING COVER FOR EXERCISE APPARATUS**

(76) **Inventor:** **Chin-Tsun Lee**, No. 32, Lane 6, Kuo Kuang 7th St., Yung Kang City, Tainan Hsien (TW)

(\*\*) **Term:** **14 Years**

(21) **Appl. No.:** **29/149,869**

(22) **Filed:** **Oct. 19, 2001**

(51) **LOC (7) Cl.** ..... **21-02**

(52) **U.S. Cl.** ..... **D21/694; D21/697**

(58) **Field of Search** ..... D21/694, 697, D21/662, 663, 668, 670; 482/51, 57, 66, 148, 132, 127

(56) **References Cited**

**U.S. PATENT DOCUMENTS**

D335,511 S	*	5/1993	Engel et al.	.....	D21/694
6,017,296 A	*	1/2000	Tang et al.	.....	482/132
D438,268 S	*	2/2001	Chen	.....	D21/694
D435,581 S	*	3/2001	Shaw	.....	D21/697

D438,580 S	*	3/2001	Shaw	.....	D21/697
D438,919 S	*	3/2001	Shaw	.....	D21/697
6,264,587 B1	*	7/2001	Lee	.....	482/132
D450,101 S	*	11/2001	Hsu	.....	D21/694
D452,285 S	*	12/2001	Easley	.....	D21/694

\* cited by examiner

*Primary Examiner*—Philip S. Hyder  
(74) *Attorney, Agent, or Firm*—Charles E. Baxley

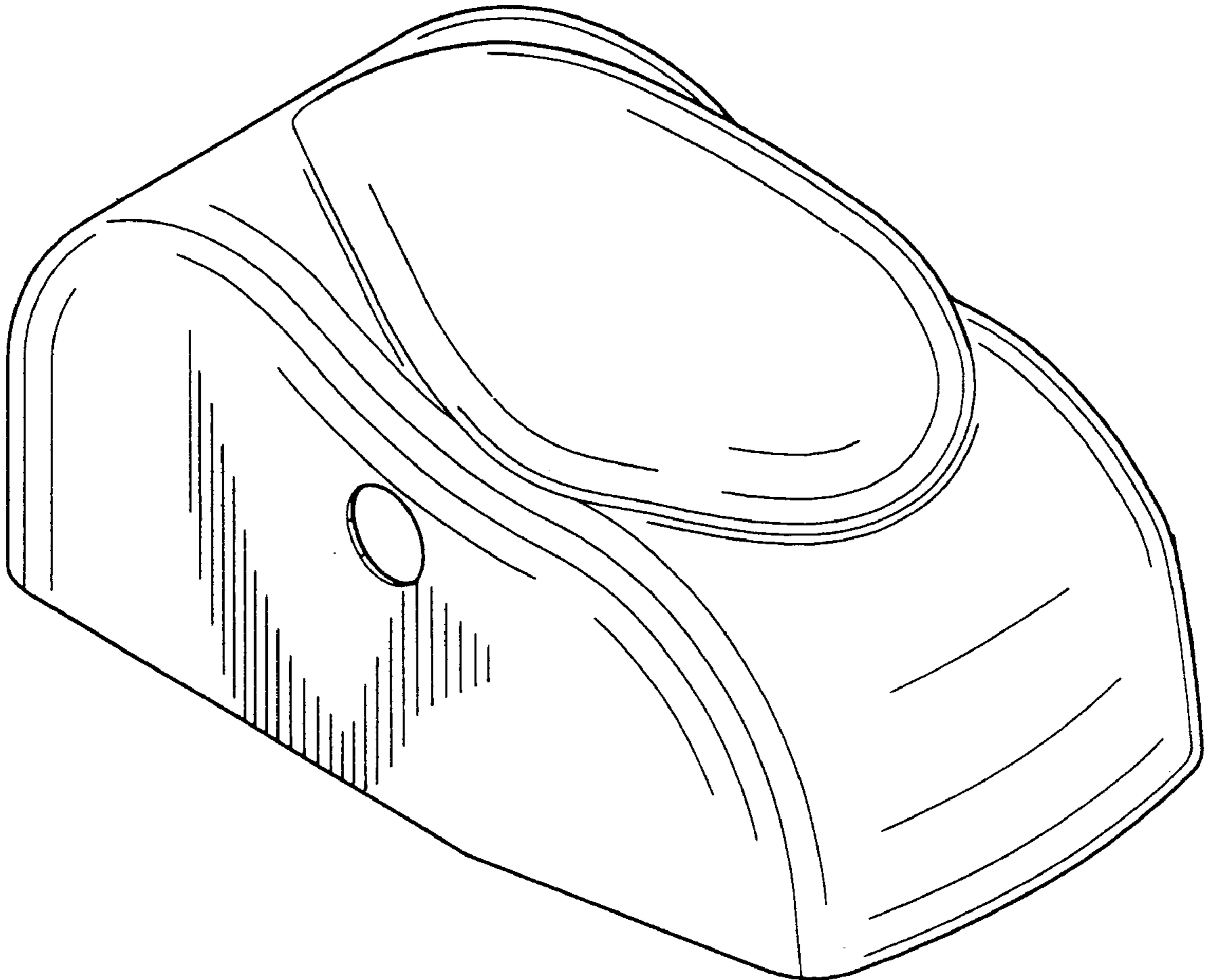
(57) **CLAIM**

The ornamental design for a housing cover for exercise apparatus, as shown.

**DESCRIPTION**

FIG. 1 is a perspective view of a housing cover for exercise apparatus showing my new design;  
FIG. 2 is a front elevation view thereof;  
FIG. 3 is a rear elevation view thereof;  
FIG. 4 is a left side elevation view thereof;  
FIG. 5 is a right side elevation view thereof;  
FIG. 6 is a top plan view thereof; and,  
FIG. 7 is a bottom plan view thereof.

**1 Claim, 4 Drawing Sheets**



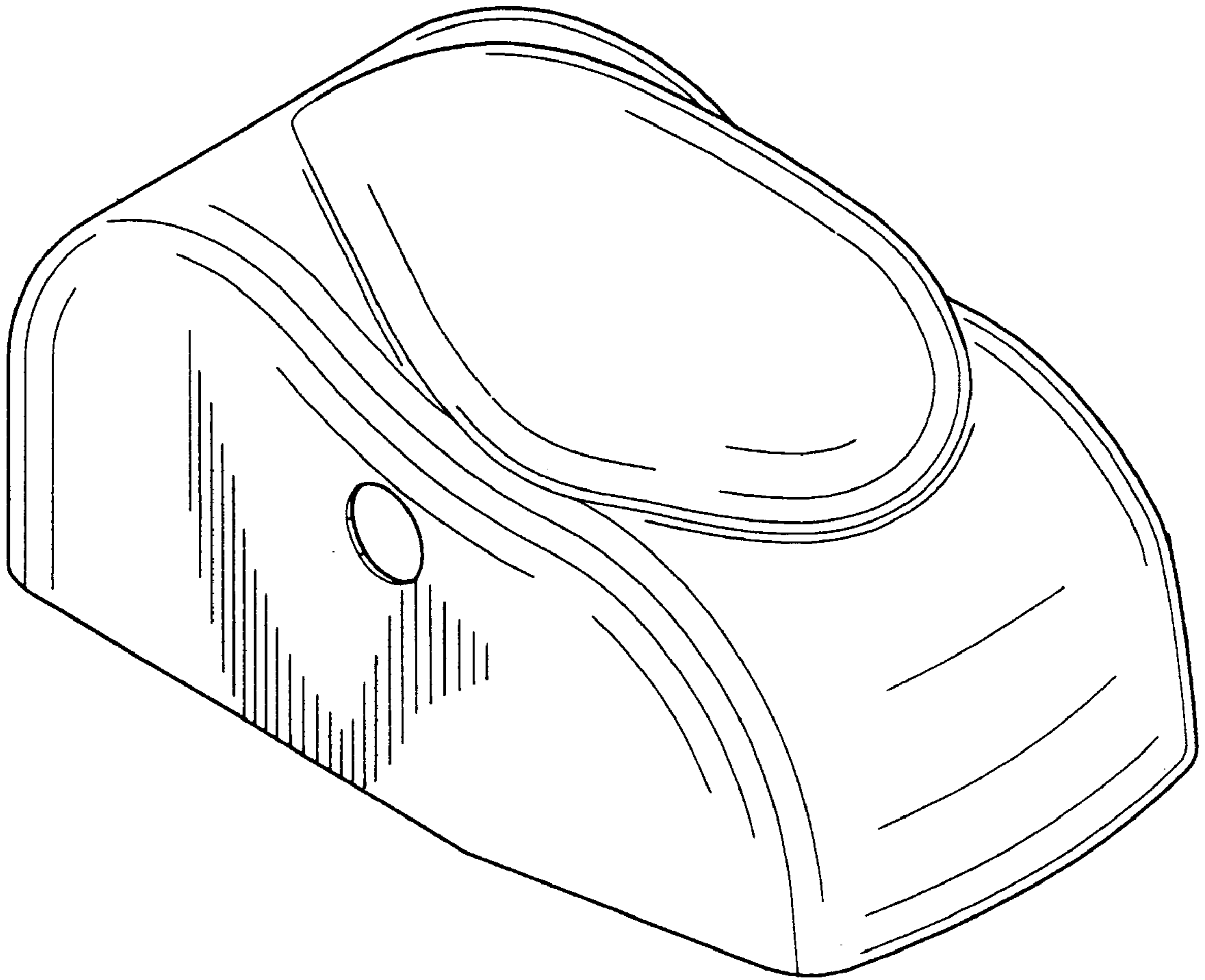


FIG. 1

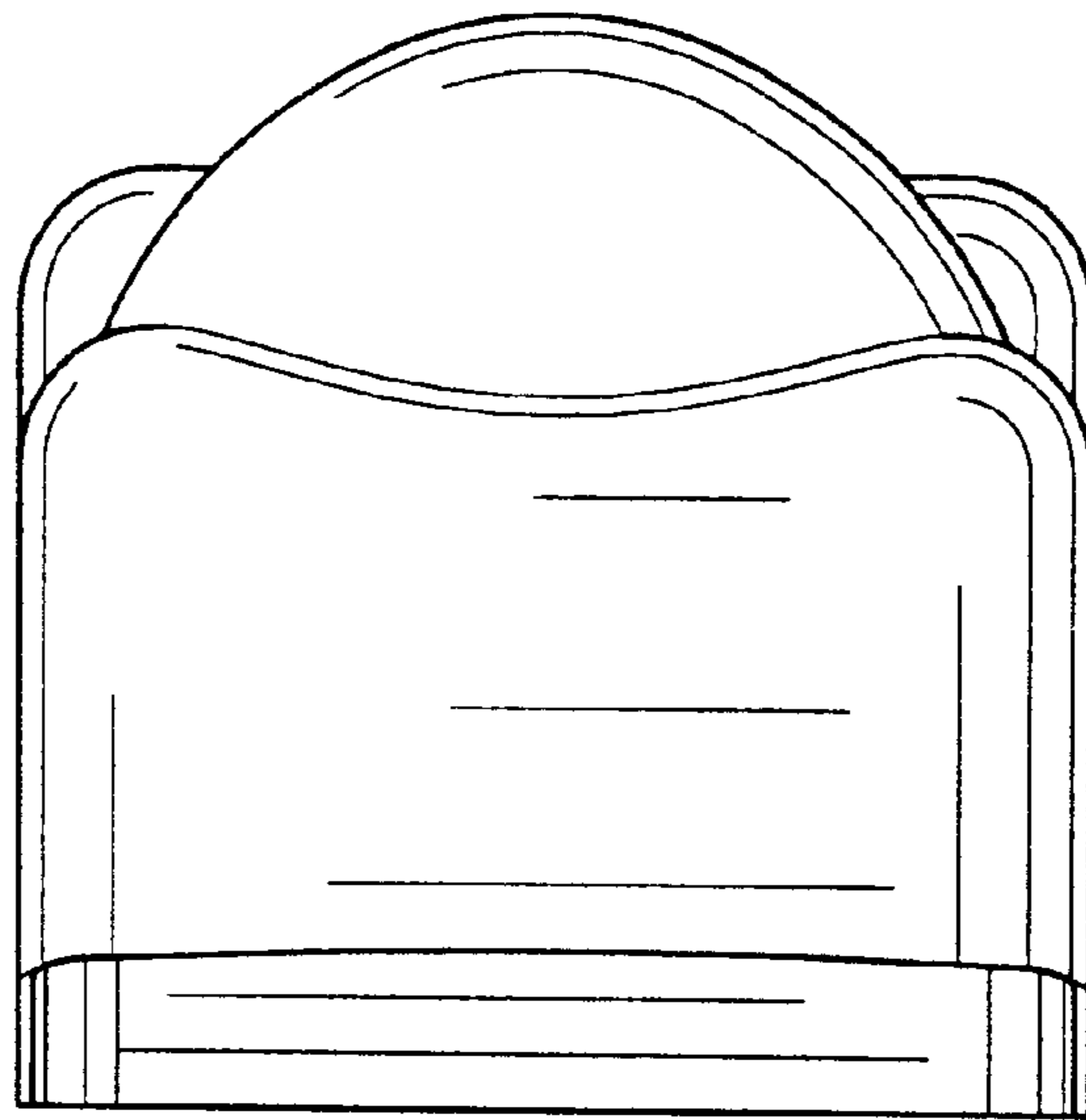


FIG. 2

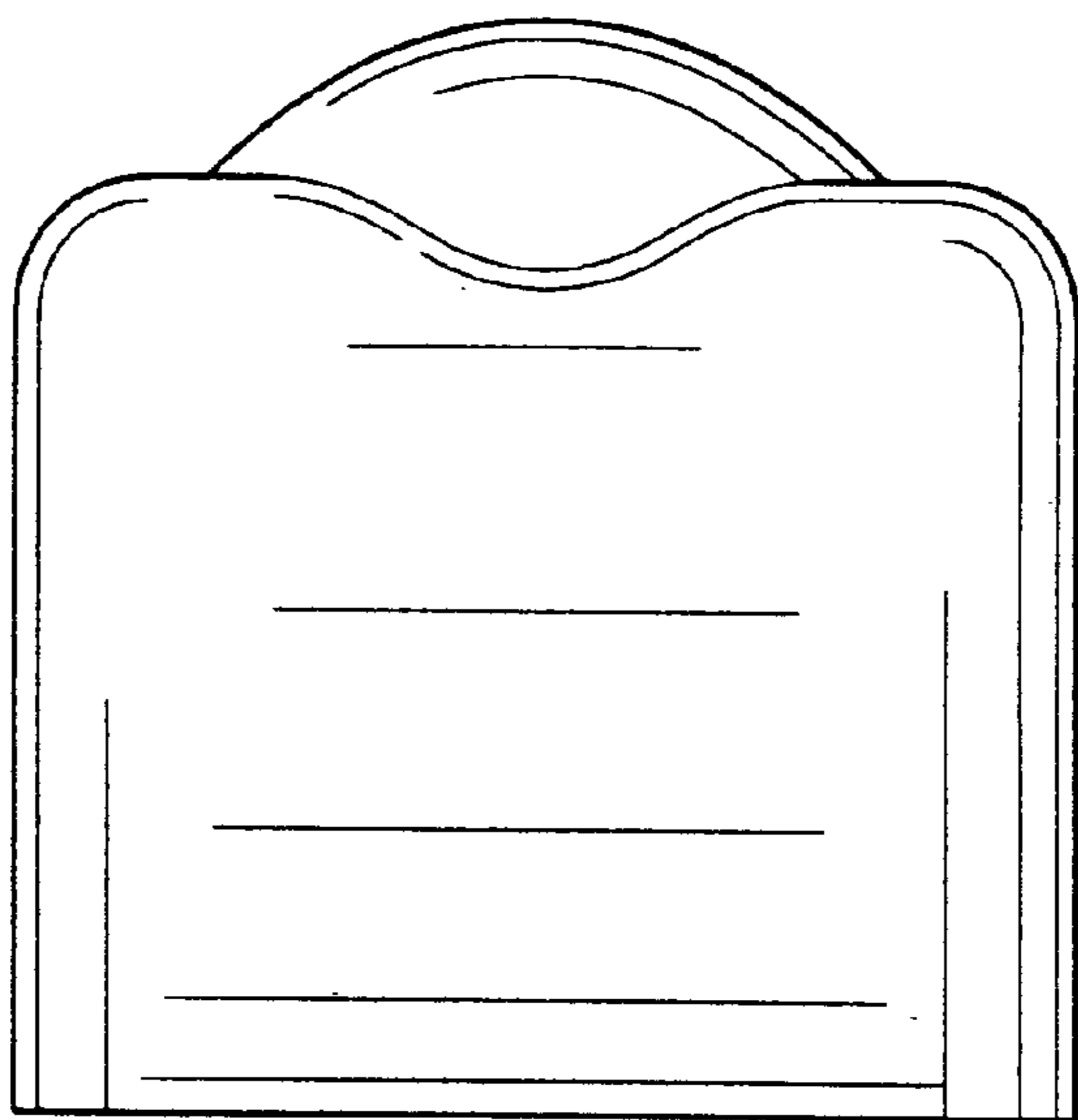


FIG. 3

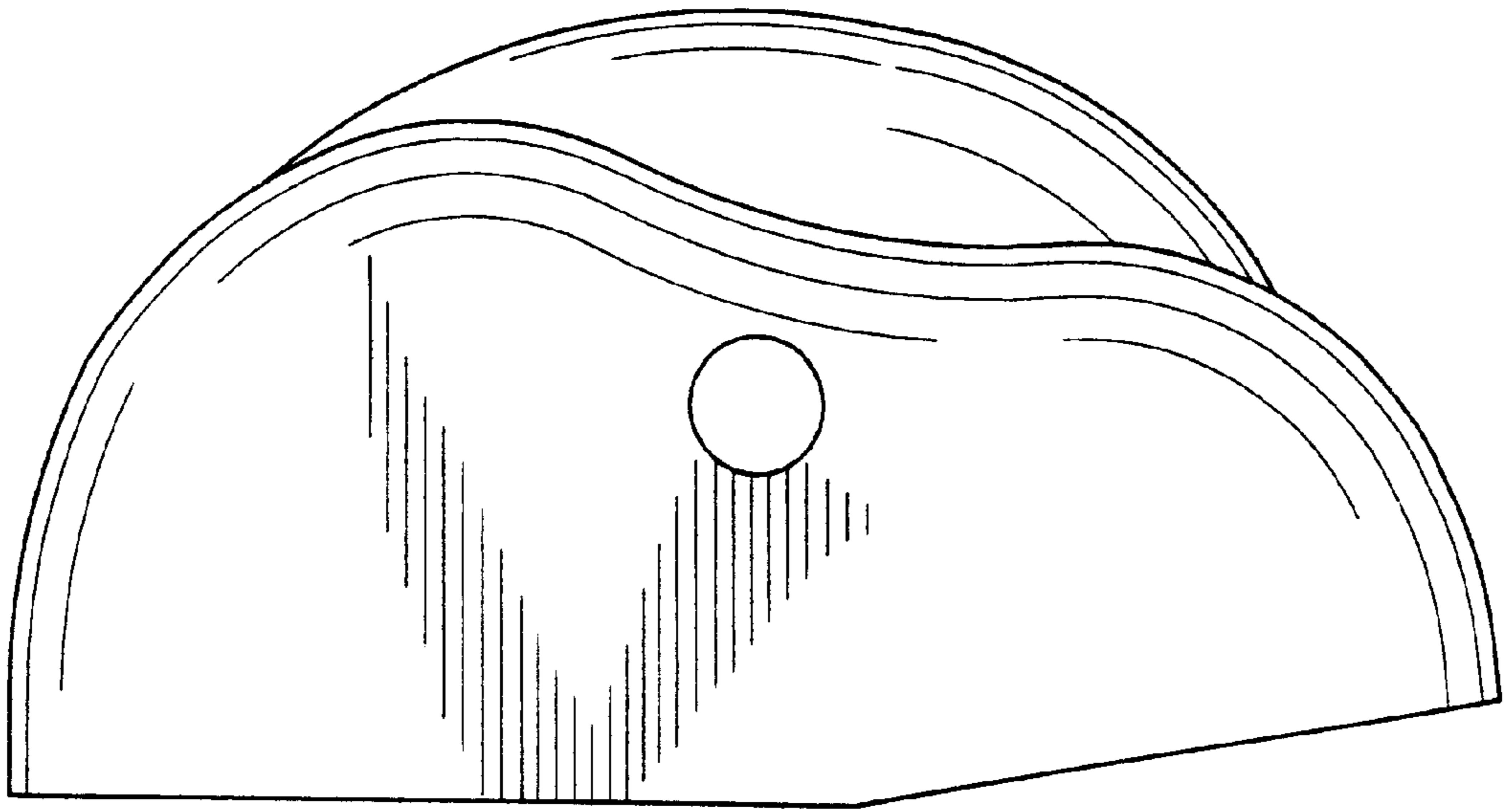


FIG. 4

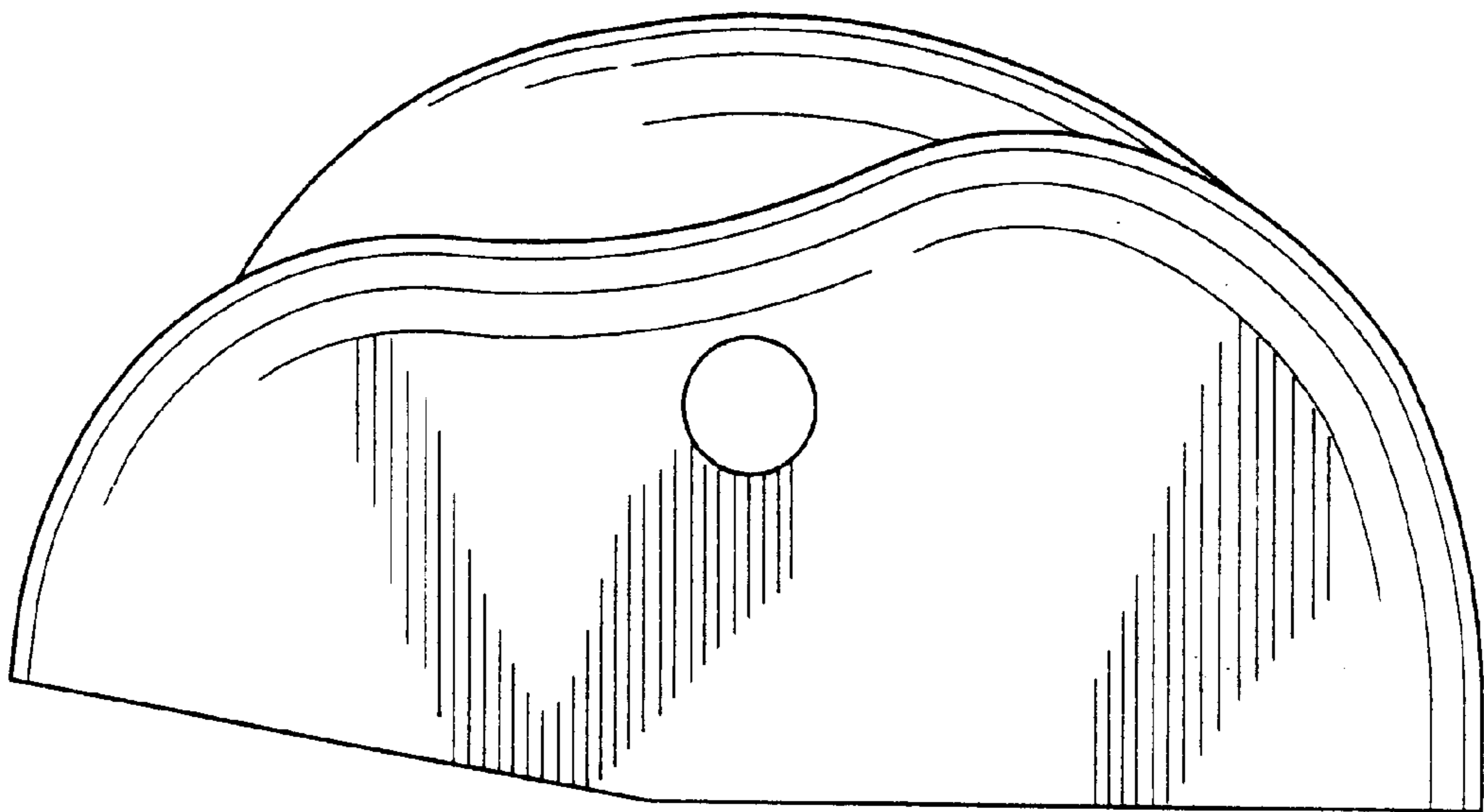


FIG. 5

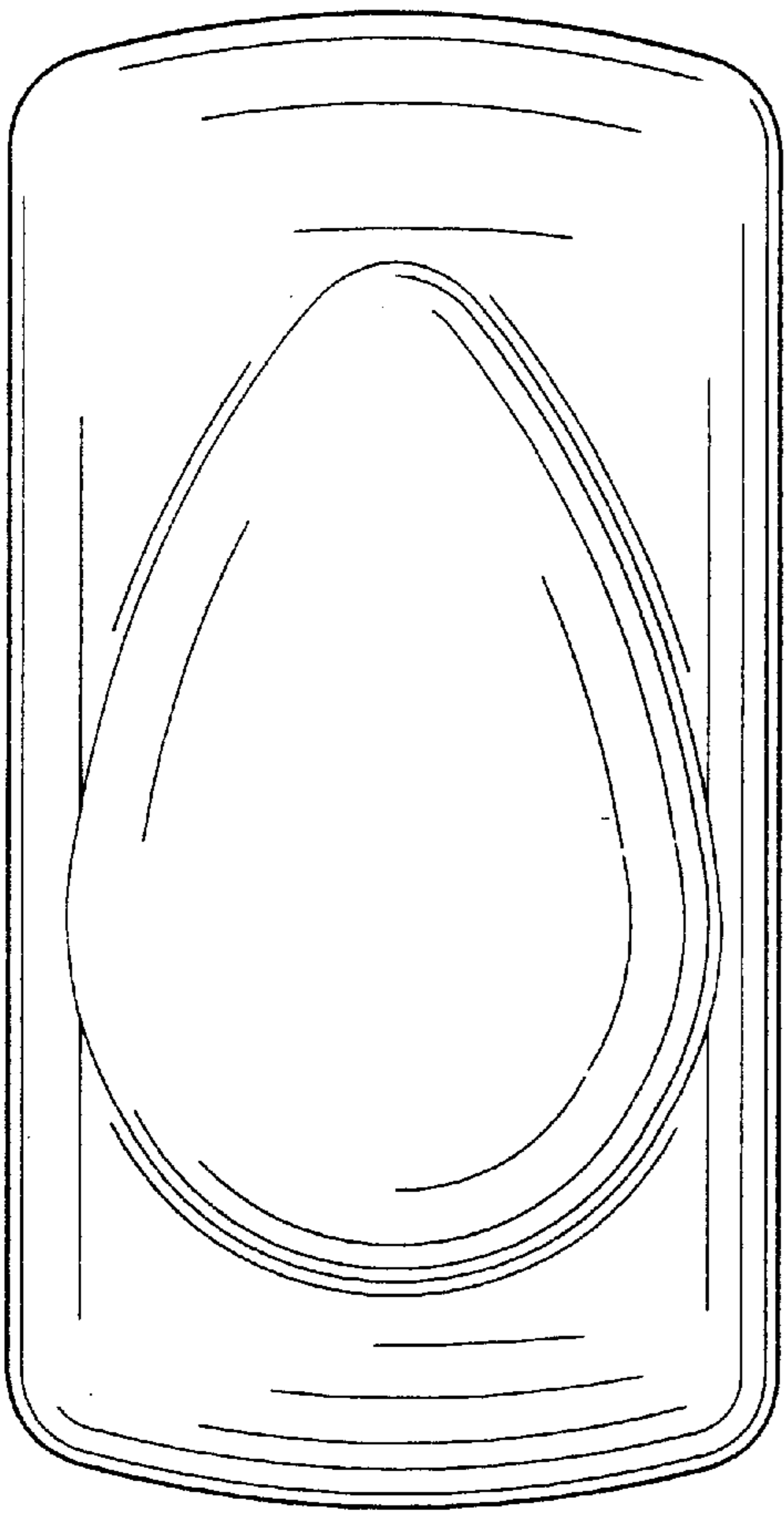


FIG. 6

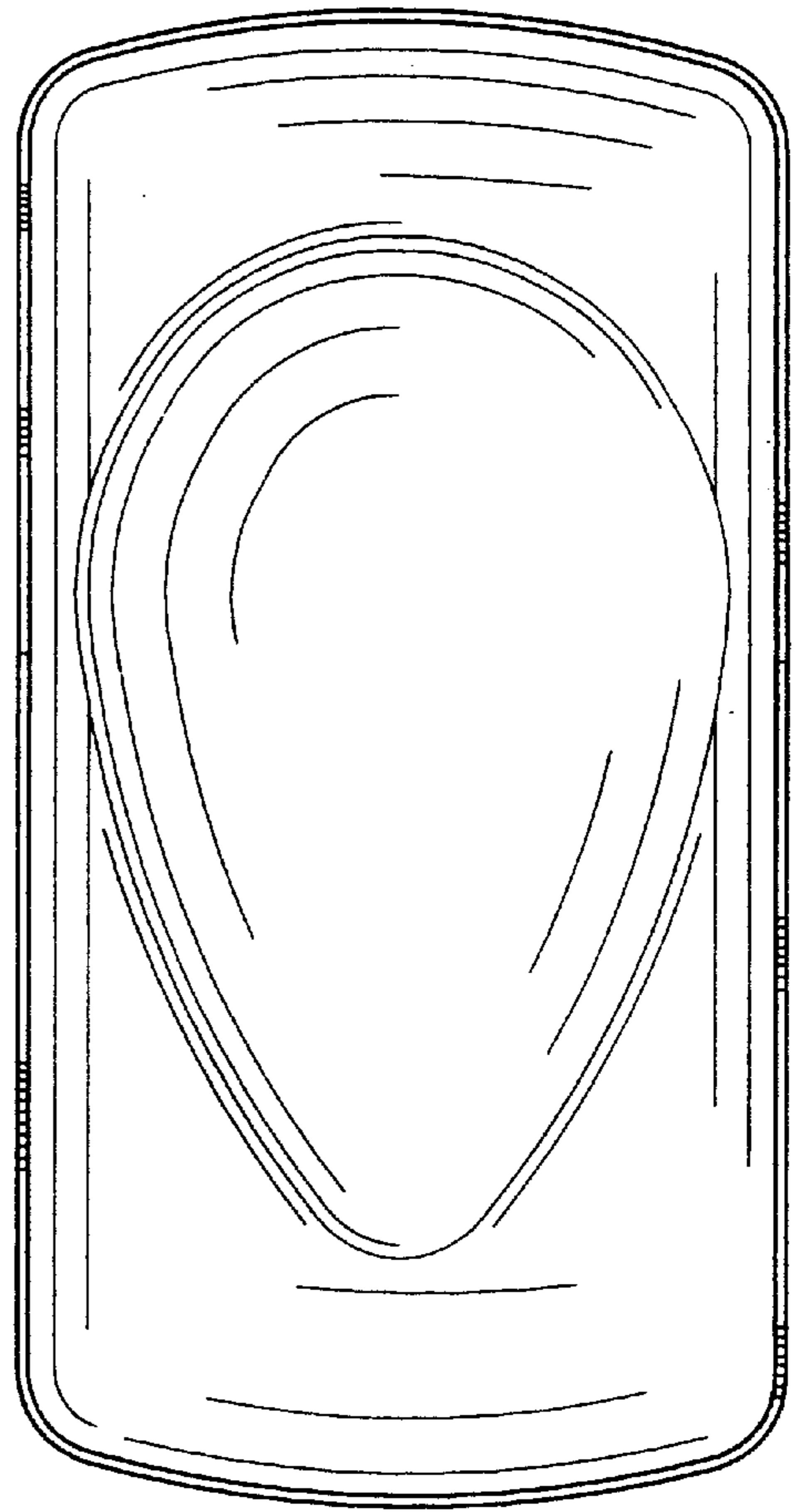


FIG. 7