



US00D464095S

(12) **United States Design Patent**  
**Yu**

(10) **Patent No.:** **US D464,095 S**

(45) **Date of Patent:** **\*\* Oct. 8, 2002**

(54) **HAND-SHAKING EXERCISER**

(75) **Inventor:** **Hui-Nan Yu, Taoyuan (TW)**

(73) **Assignee:** **Jao-Hsing Tsai (TW)**

(\*\*) **Term:** **14 Years**

(21) **Appl. No.:** **29/152,621**

(22) **Filed:** **Dec. 28, 2001**

(51) **LOC (7) Cl.** ..... **21-02**

(52) **U.S. Cl.** ..... **D21/684; D21/662**

(58) **Field of Search** ..... **D21/662, 684,**  
**D21/680, 682, 398; 482/44, 45, 49, 131,**  
**126**

(56) **References Cited**

**U.S. PATENT DOCUMENTS**

D350,796 S \* 9/1994 Pravitz ..... D21/684  
D370,951 S \* 6/1996 Lazar ..... D21/692  
5,681,243 A \* 10/1997 Criss ..... 482/49

6,053,846 A \* 4/2000 Lin ..... 482/110

D431,608 S \* 10/2000 Lin ..... D21/398

6,228,001 B1 \* 5/2001 Johnson et al. .... 482/44

\* cited by examiner

*Primary Examiner*—Philip S. Hyder

(74) *Attorney, Agent, or Firm*—Troxell Law Office PLLC

(57) **CLAIM**

The ornamental design for a hand-shaking exerciser, as shown.

**DESCRIPTION**

FIG. 1 is a front perspective view of a hand-shaking exerciser showing my new design;

FIG. 2 is a front elevational view thereof;

FIG. 3 is a rear elevational view thereof;

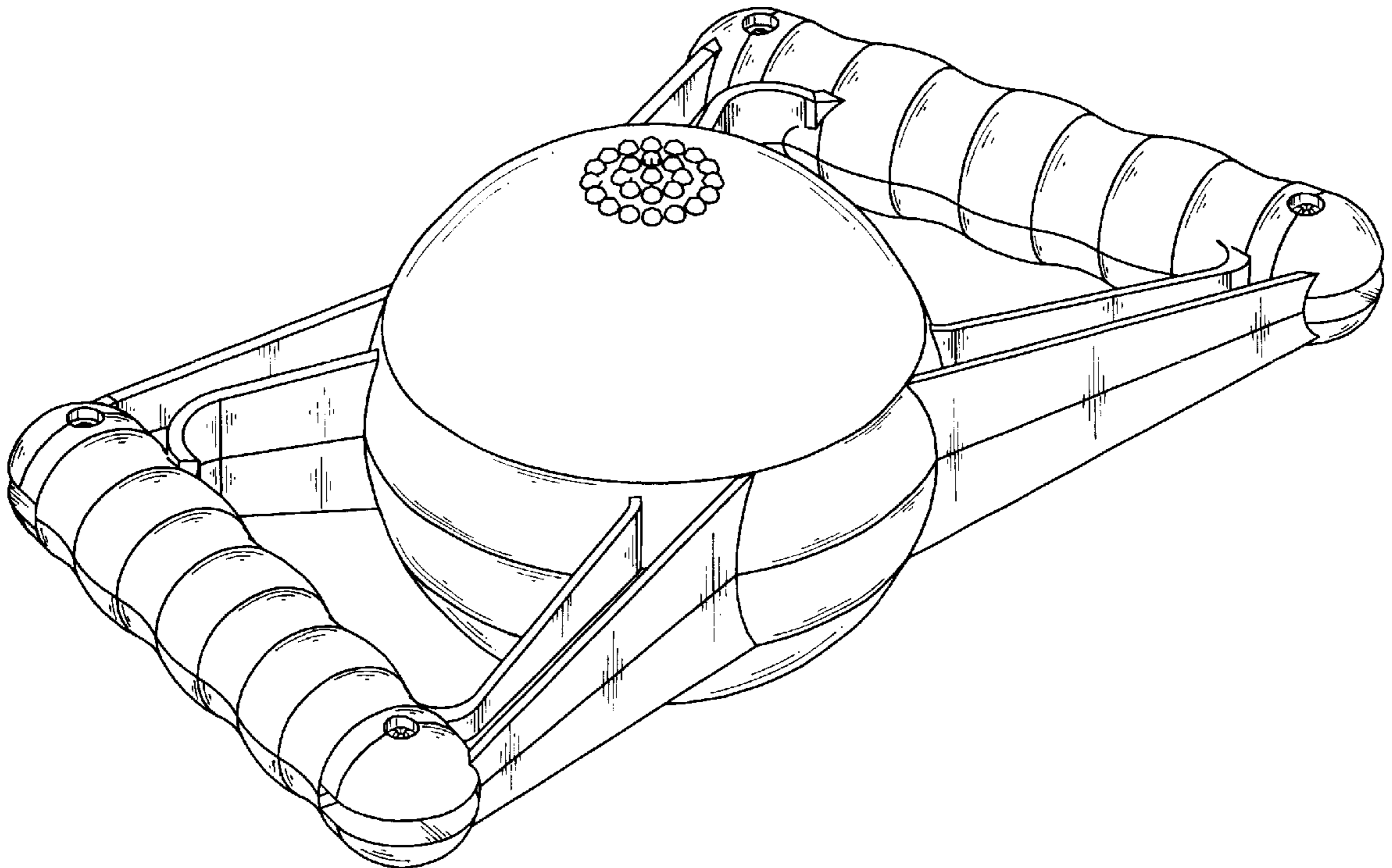
FIG. 4 is a left side elevational view thereof;

FIG. 5 is a right side elevational view thereof;

FIG. 6 is a top plan view thereof; and,

FIG. 7 is a bottom plan view thereof.

**1 Claim, 7 Drawing Sheets**



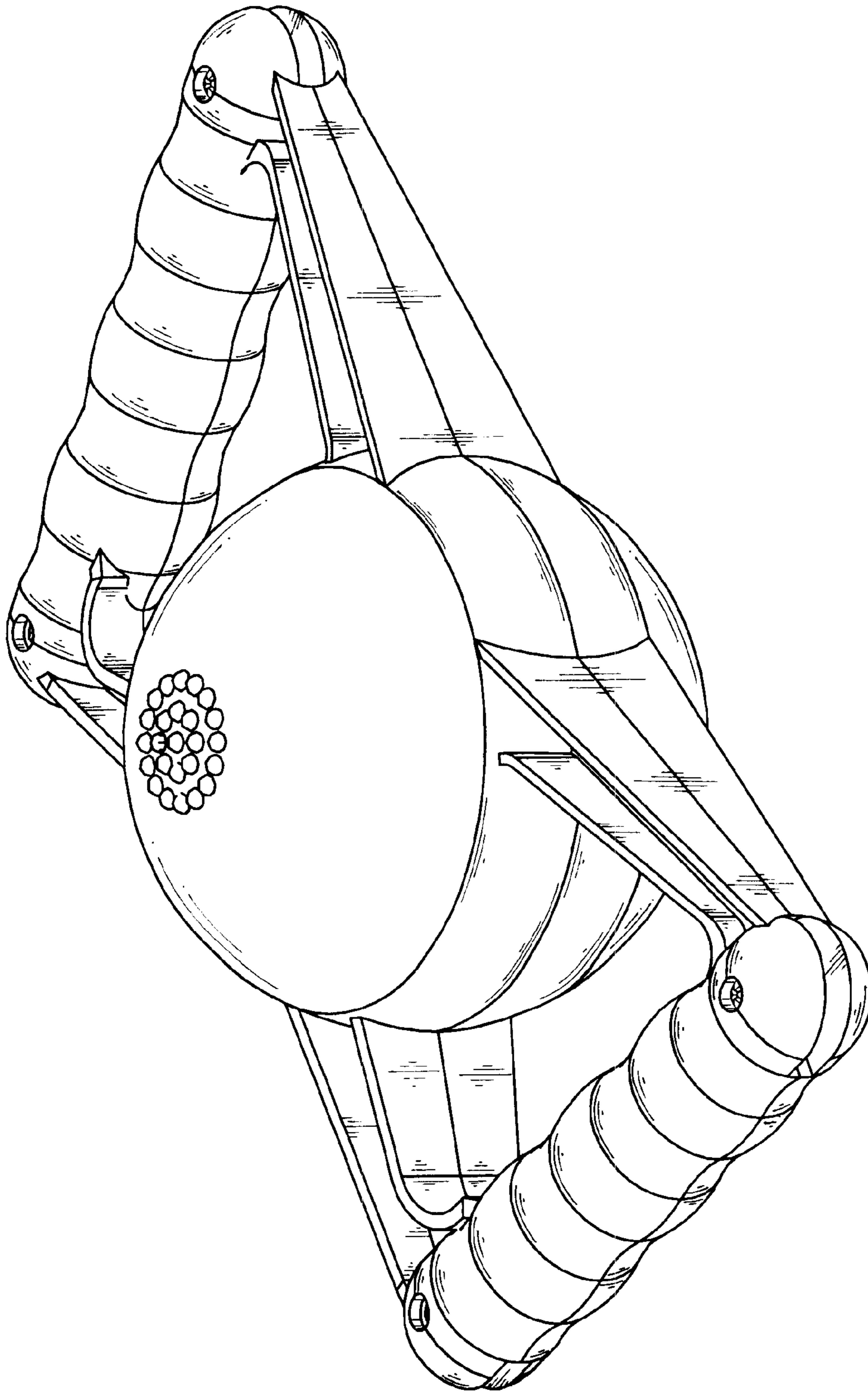


FIG. 1

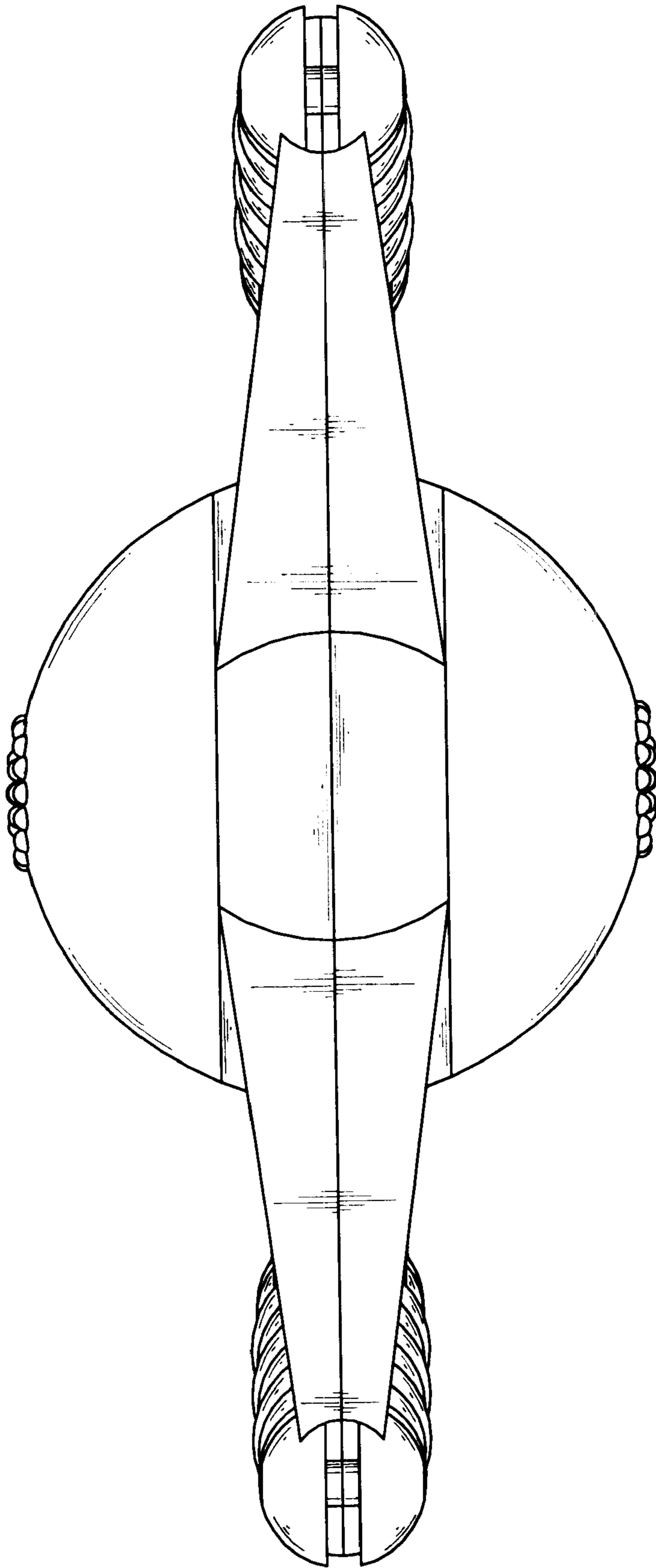


FIG. 2

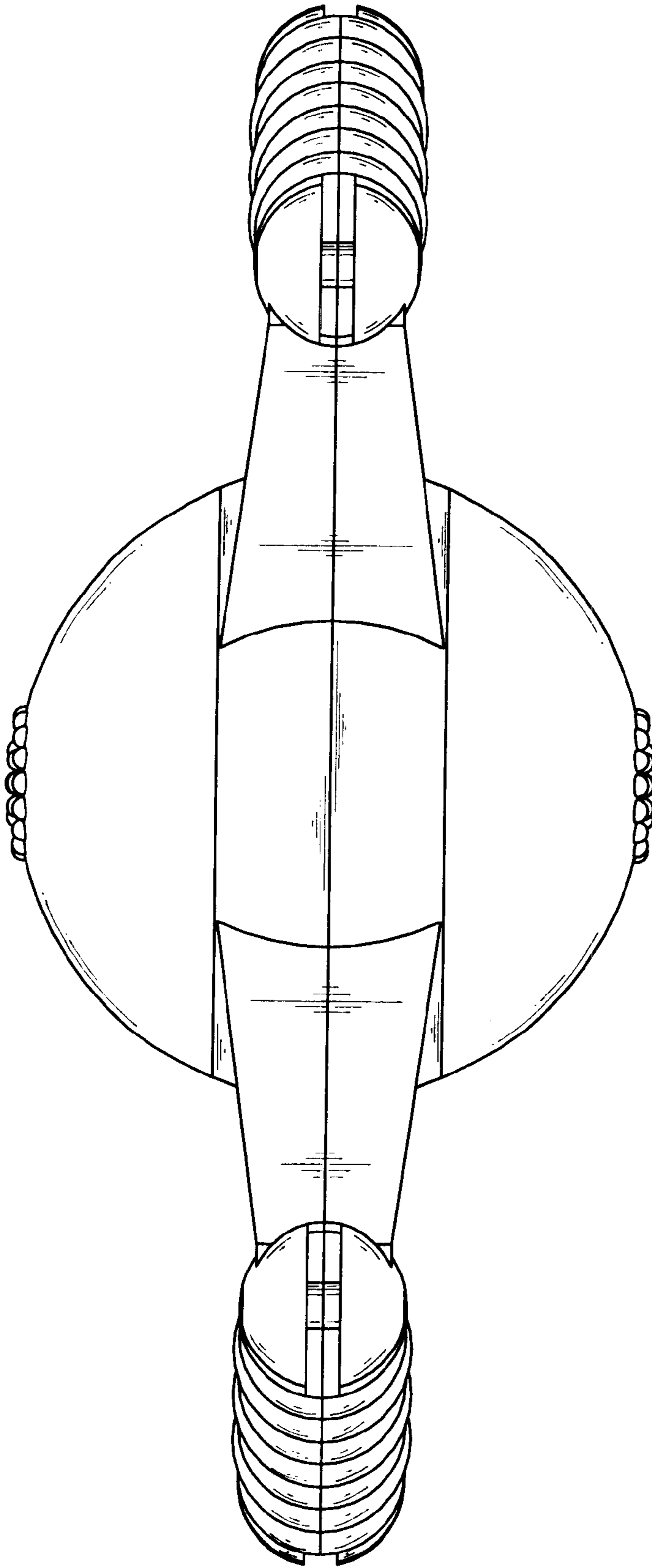


FIG. 3

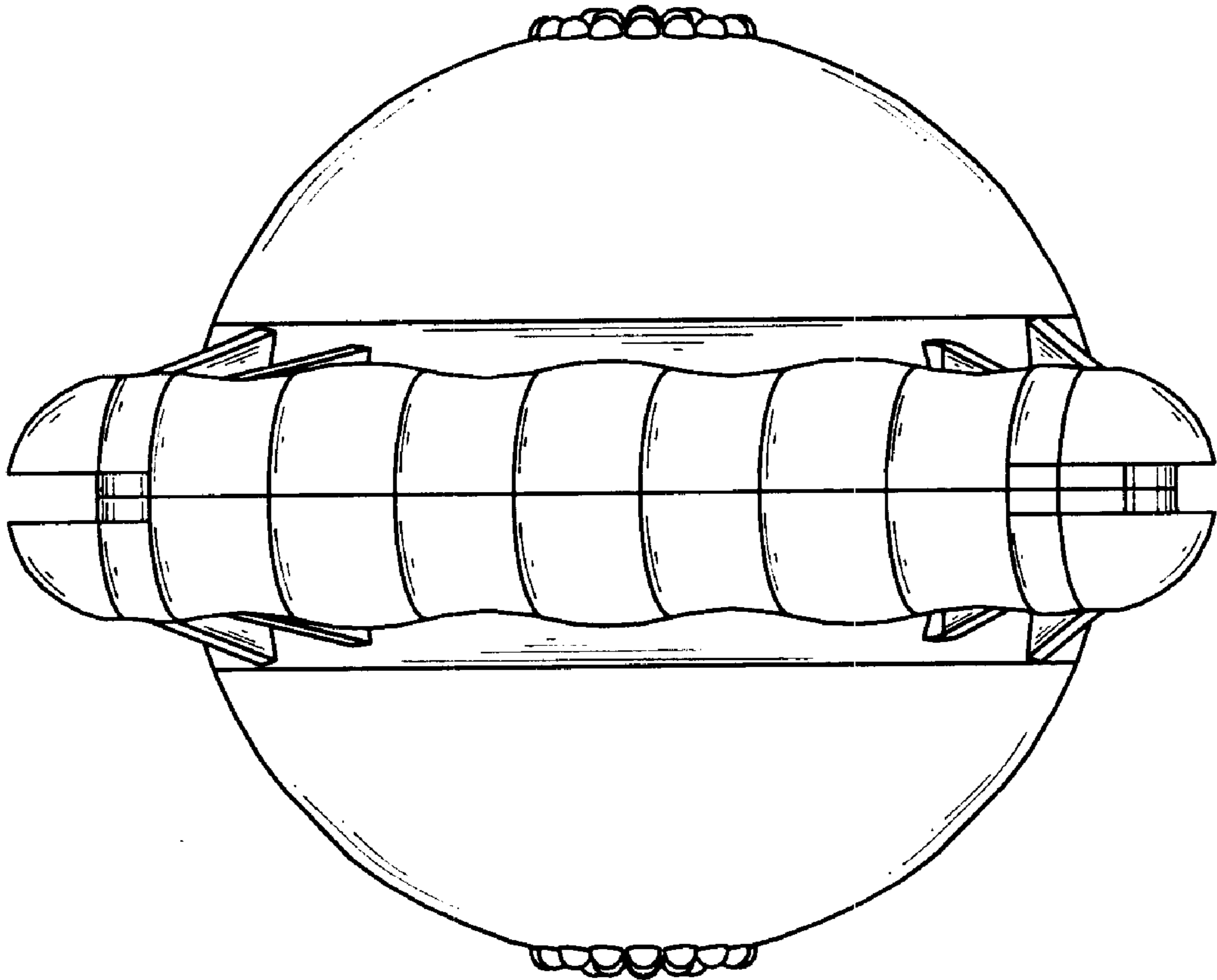


FIG. 4



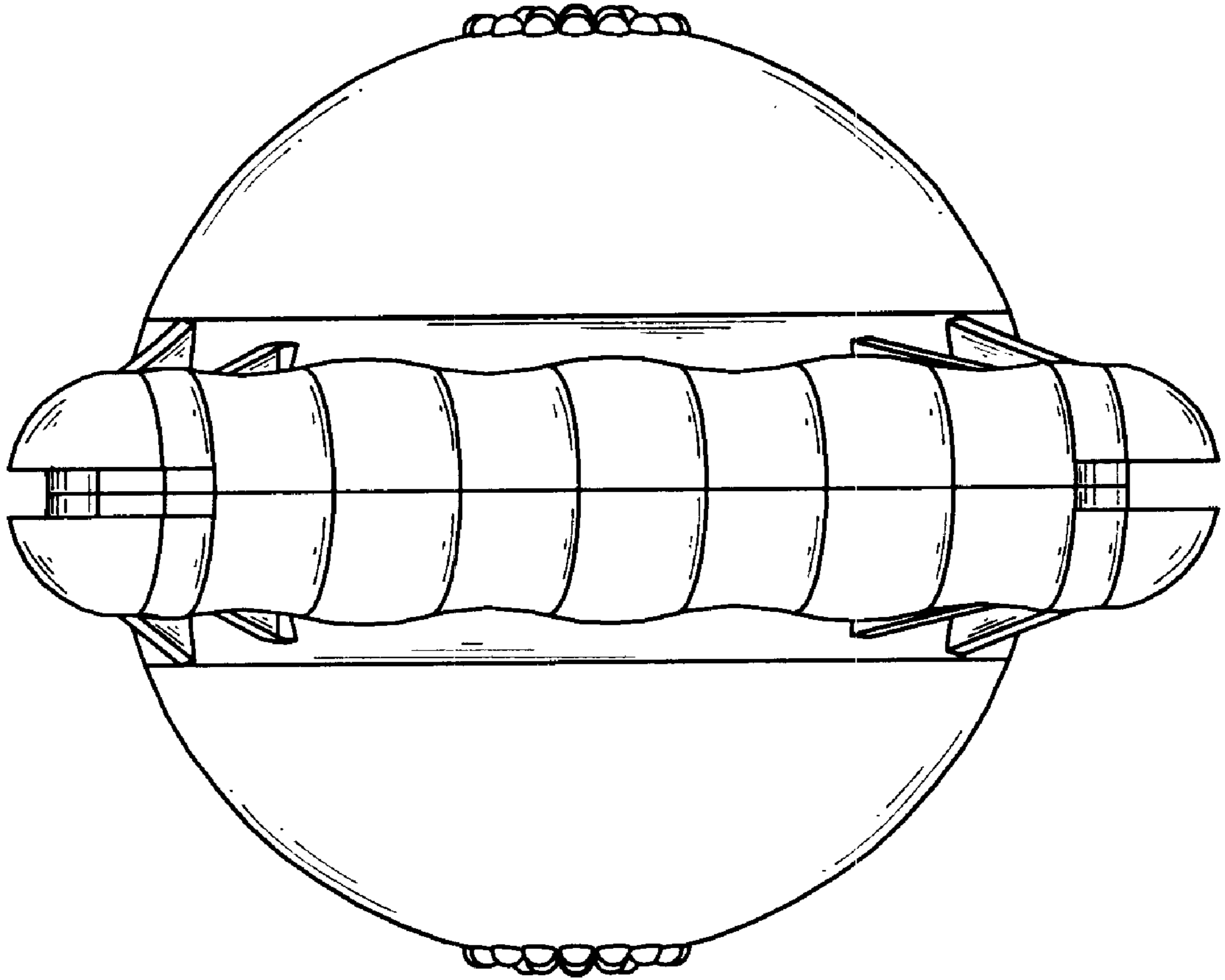


FIG. 5

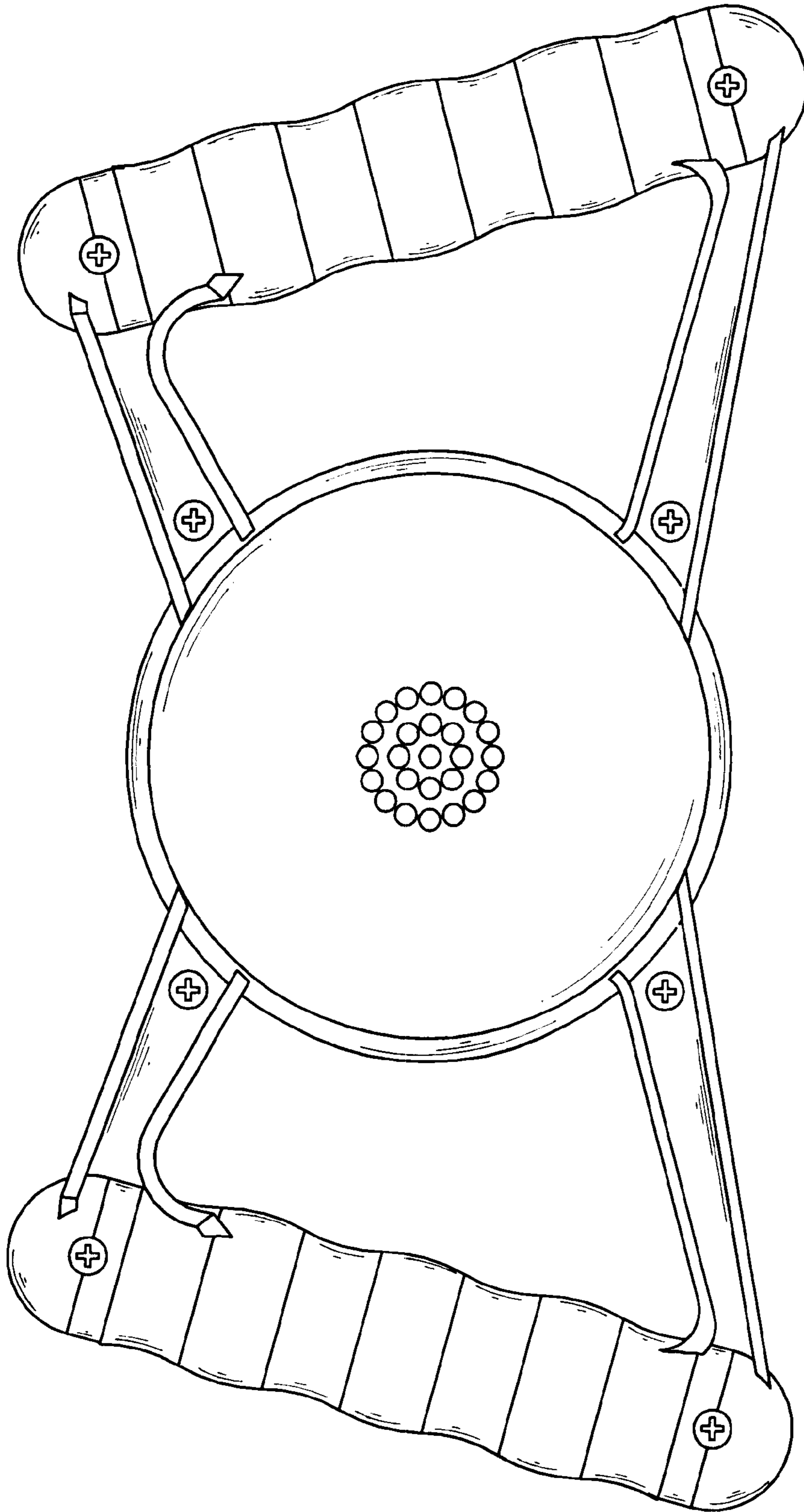


FIG. 6

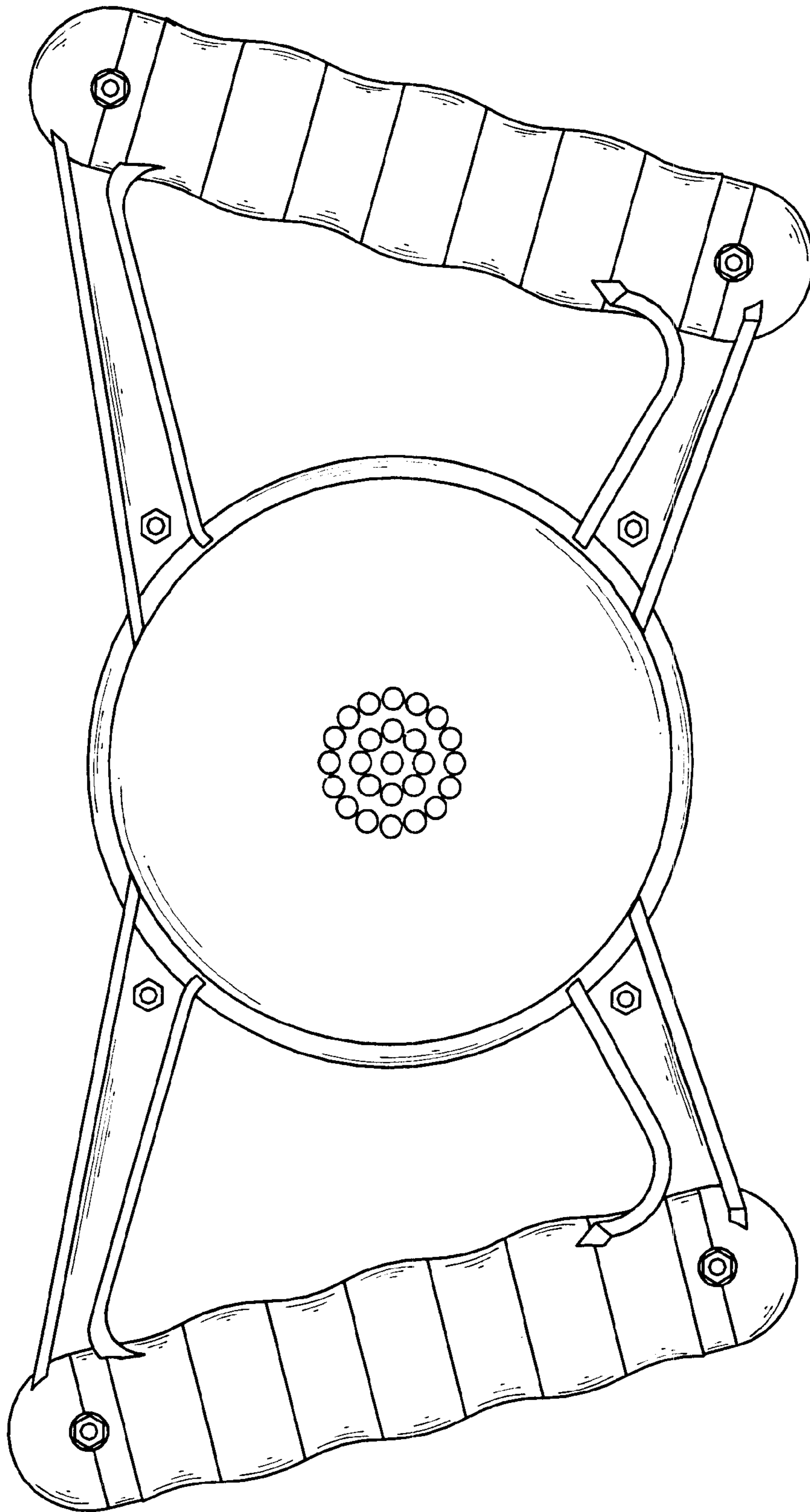


FIG. 7