

US00D464094S

(12) **United States Design Patent**  
**Fond**

(10) **Patent No.:** **US D464,094 S**

(45) **Date of Patent:** **\*\* Oct. 8, 2002**

(54) **BARBELL EXERCISE WEIGHT**

D432,602 S \* 10/2000 Savage ..... D21/680  
6,319,176 B1 \* 11/2001 Landfair ..... 482/106

(75) Inventor: **Loren S. Fond**, Beverly Hills, CA (US)

\* cited by examiner

(73) Assignee: **Pro Lift**, Beverly Hills, CA (US)

*Primary Examiner*—Philip S. Hyder

(\*\*) Term: **14 Years**

(74) *Attorney, Agent, or Firm*—Frederick Gotha

(21) Appl. No.: **29/142,429**

(57) **CLAIM**

(22) Filed: **May 25, 2001**

The ornamental design for a barbell exercise weight, as shown and described.

(51) **LOC (7) Cl.** ..... **21-02**

**DESCRIPTION**

(52) **U.S. Cl.** ..... **D21/681; D21/680**

(58) **Field of Search** ..... D21/680, 681,  
D21/682, 683; 482/105, 106, 107, 108

FIG. 1 is a perspective view of a barbell exercise weight showing my new designs;

(56) **References Cited**

FIG. 2 is a top plan view thereof, and is a mirror image of the bottom plan view;

**U.S. PATENT DOCUMENTS**

FIG. 3 is a front elevational plan view thereof;

D230,752 S	*	3/1974	Speyer	.....	D21/681
4,639,979 A	*	2/1987	Polson	.....	24/273
4,971,318 A	*	11/1990	Tracy	.....	482/107
5,295,933 A	*	3/1994	Ciminski et al.	.....	24/270
D354,322 S	*	1/1995	Vodhanel, Jr.	.....	D21/681
5,391,133 A	*	2/1995	Ruffa	.....	482/107
5,749,814 A	*	5/1998	Chen	.....	473/437

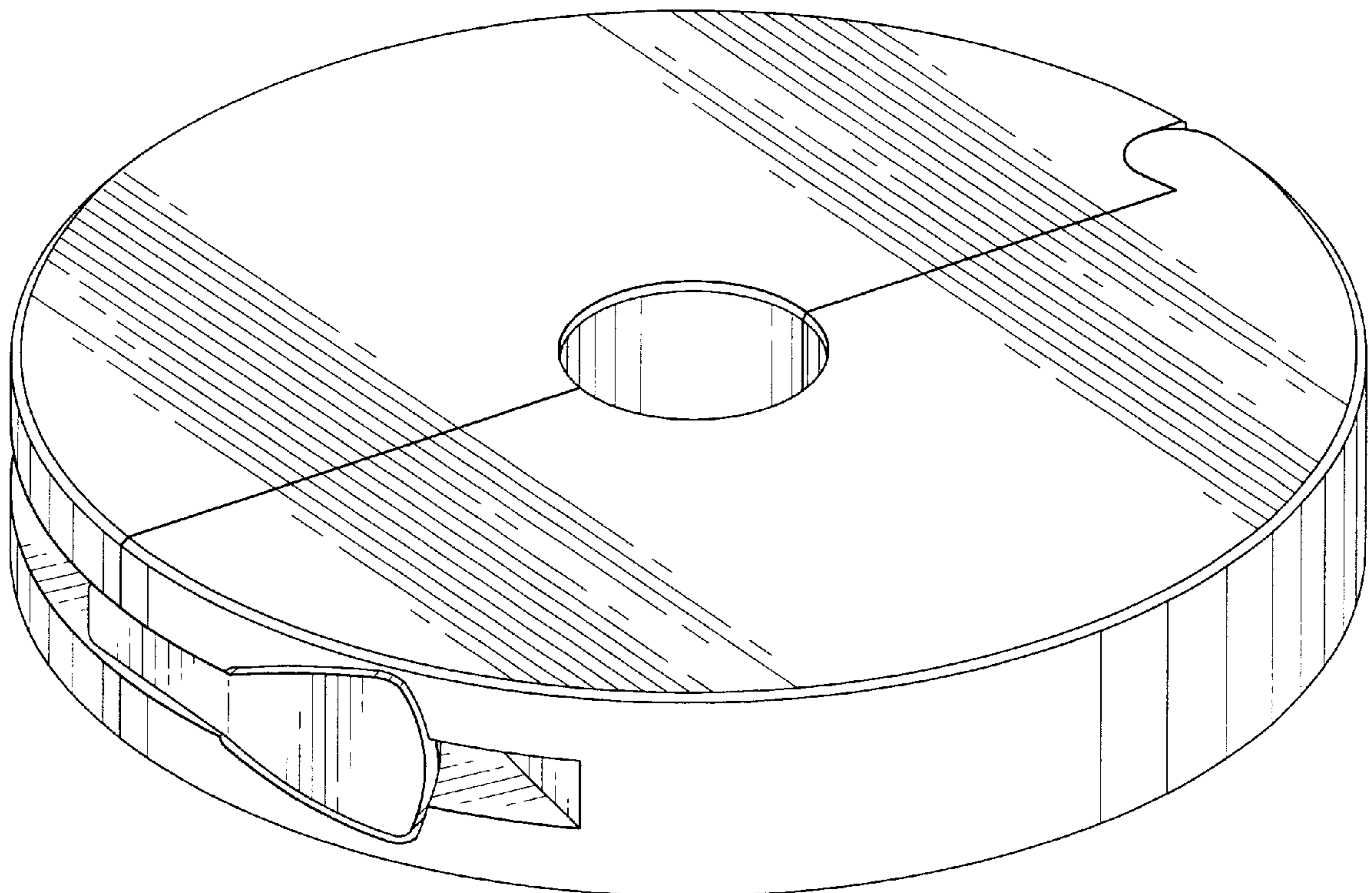
FIG. 4 is a left side elevational view thereof;

FIG. 5 is a right side elevational view thereof;

FIG. 6 is a rear elevational plan view thereof; and,

FIG. 7 is a perspective view showing my new design in an open view.

**1 Claim, 3 Drawing Sheets**



*FIG. 1*

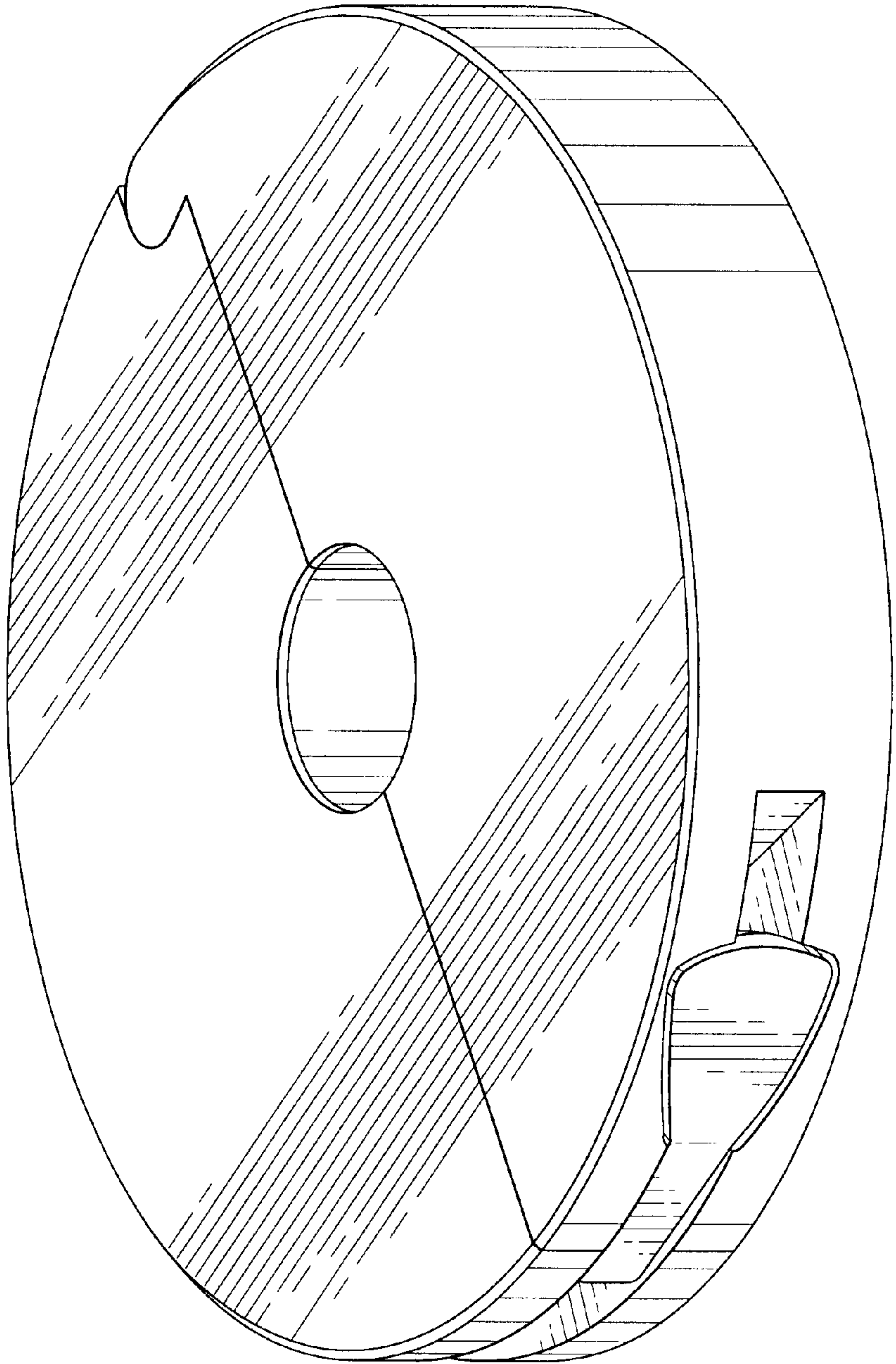


FIG. 6

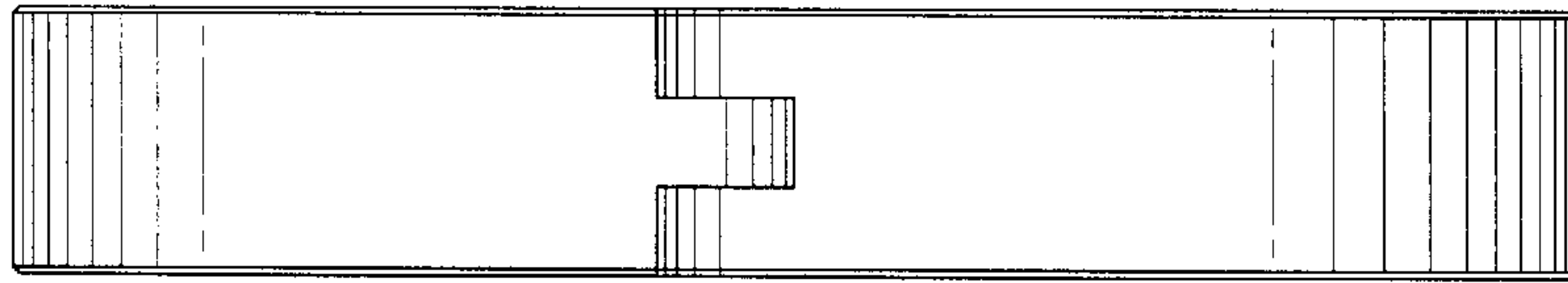


FIG. 4

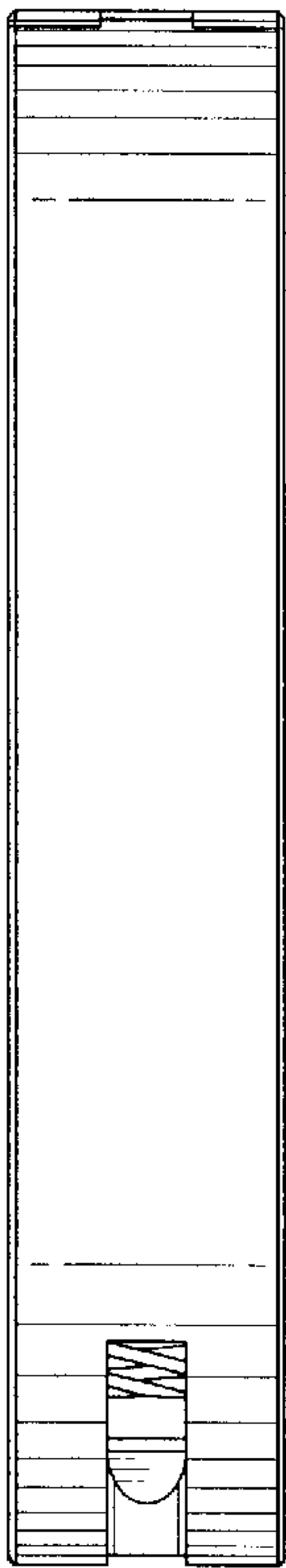


FIG. 2

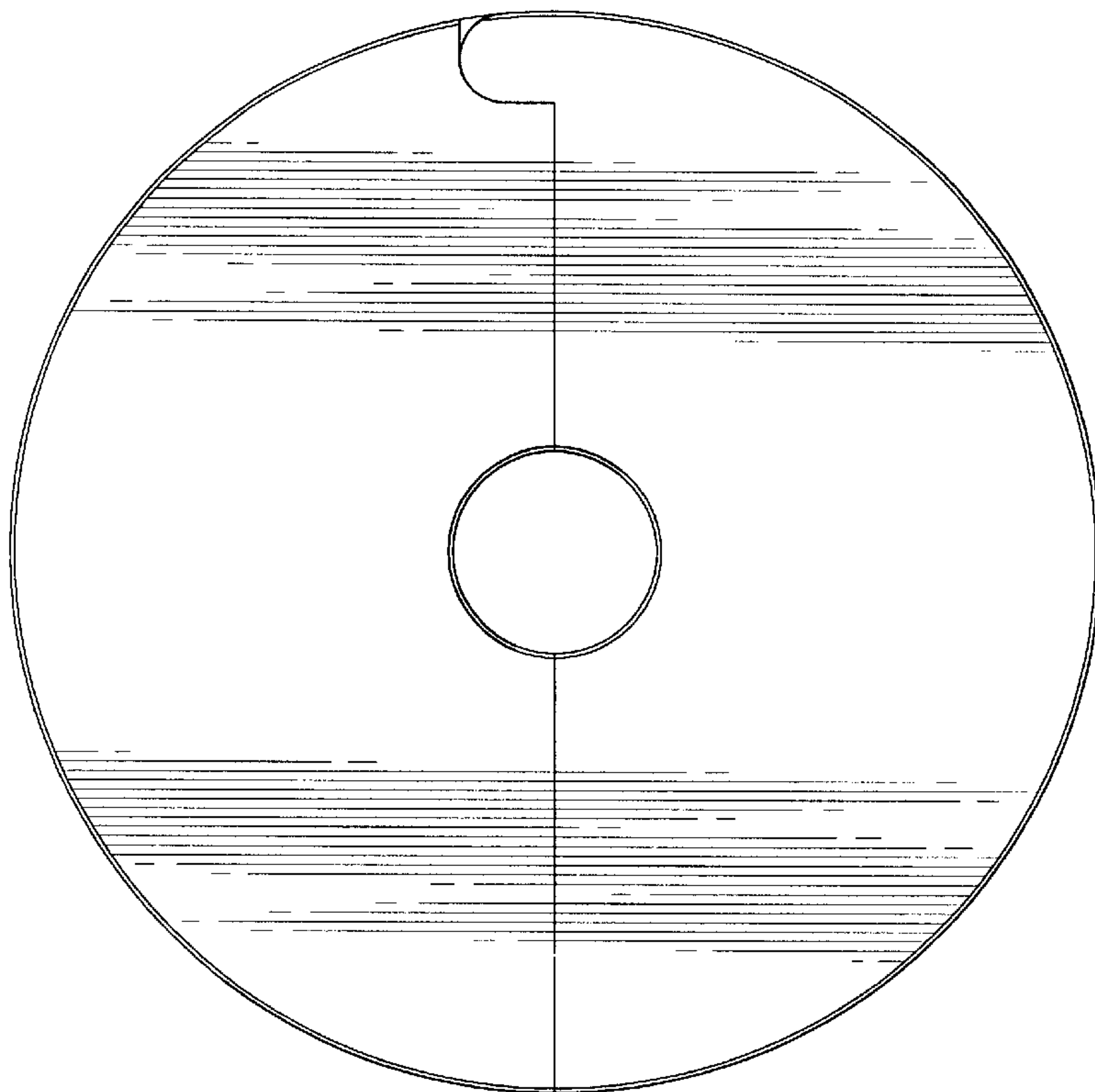


FIG. 5

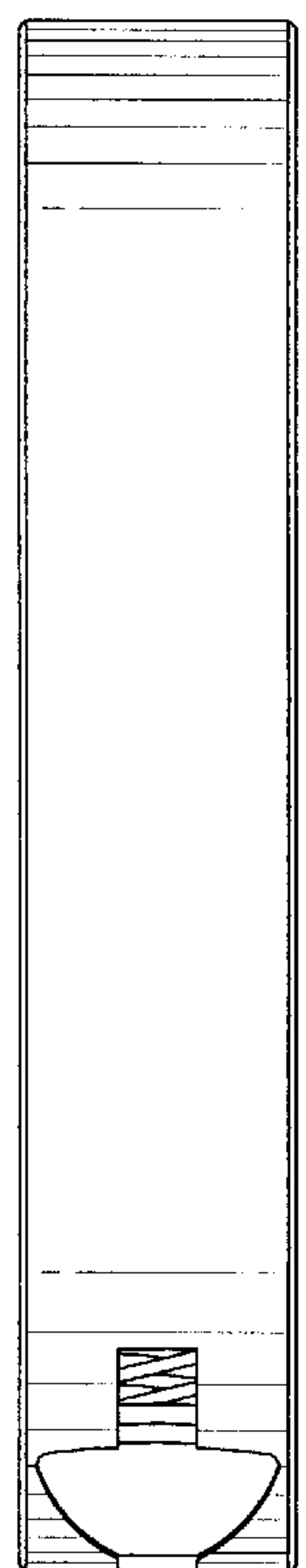
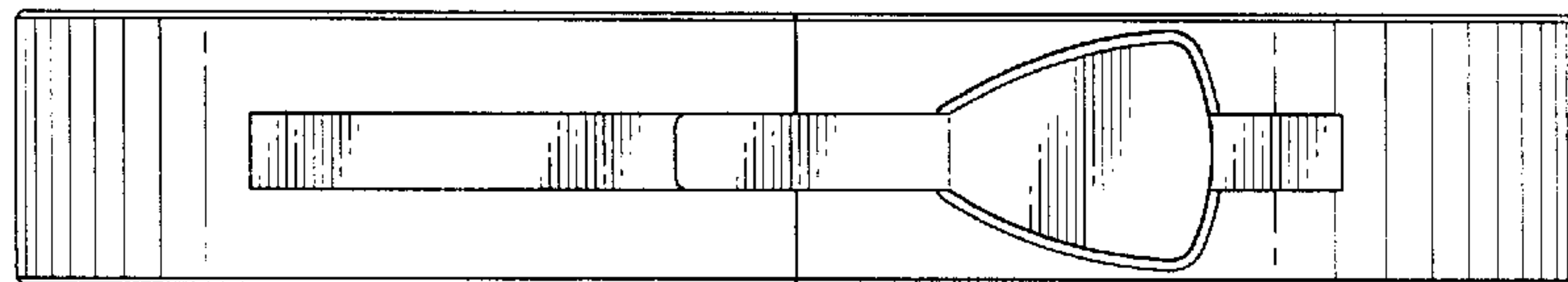


FIG. 3



*FIG. 7*

