



US00D464090S

(12) **United States Design Patent**  
**Hornsby et al.**

(10) **Patent No.:** **US D464,090 S**

(45) **Date of Patent:** **\*\* Oct. 8, 2002**

(54) **TOY**

(75) **Inventors:** **James Russell Hornsby**, St. Louis;  
**Joseph Lee McGowan**, St. Peters;  
**Christopher Neal Hall**, St. Louis;  
**David Michael Niehaus**, St. Louis, all  
of MO (US)

(73) **Assignee:** **Trendmasters, Inc.**, St. Louis, MO  
(US)

(\*\*) **Term:** **14 Years**

(21) **Appl. No.:** **29/130,183**

(22) **Filed:** **Sep. 28, 2000**

(51) **LOC (7) Cl.** ..... **21-01**

(52) **U.S. Cl.** ..... **D21/578; D21/593**

(58) **Field of Search** ..... **D21/578-585,**  
**D21/592, 593, 594, 630, 621, 622, 627;**  
**D15/199; 446/279, 280, 290, 268-274,**  
**289-292, 297-303, 352-355, 376, 383,**  
**384**

(56) **References Cited**

**U.S. PATENT DOCUMENTS**

3,579,901 A \* 5/1971 Perhacs, Jr. .... 446/271

3,648,408 A \* 3/1972 Terzian et al.  
4,217,724 A \* 8/1980 Schoenfield et al.  
4,282,677 A \* 8/1981 Abe  
D273,215 S \* 3/1984 Sahler ..... D21/592  
4,572,530 A \* 2/1986 Marino  
D290,146 S \* 6/1987 Horiuchi ..... D21/578  
4,673,371 A \* 6/1987 Furukawa ..... 446/290  
D293,345 S \* 12/1987 Takizawa ..... D21/578  
4,717,364 A \* 1/1988 Furukawa ..... 446/280

\* cited by examiner

*Primary Examiner*—Lucy Lieberman

(74) *Attorney, Agent, or Firm*—Dorsey & Whitney LLP

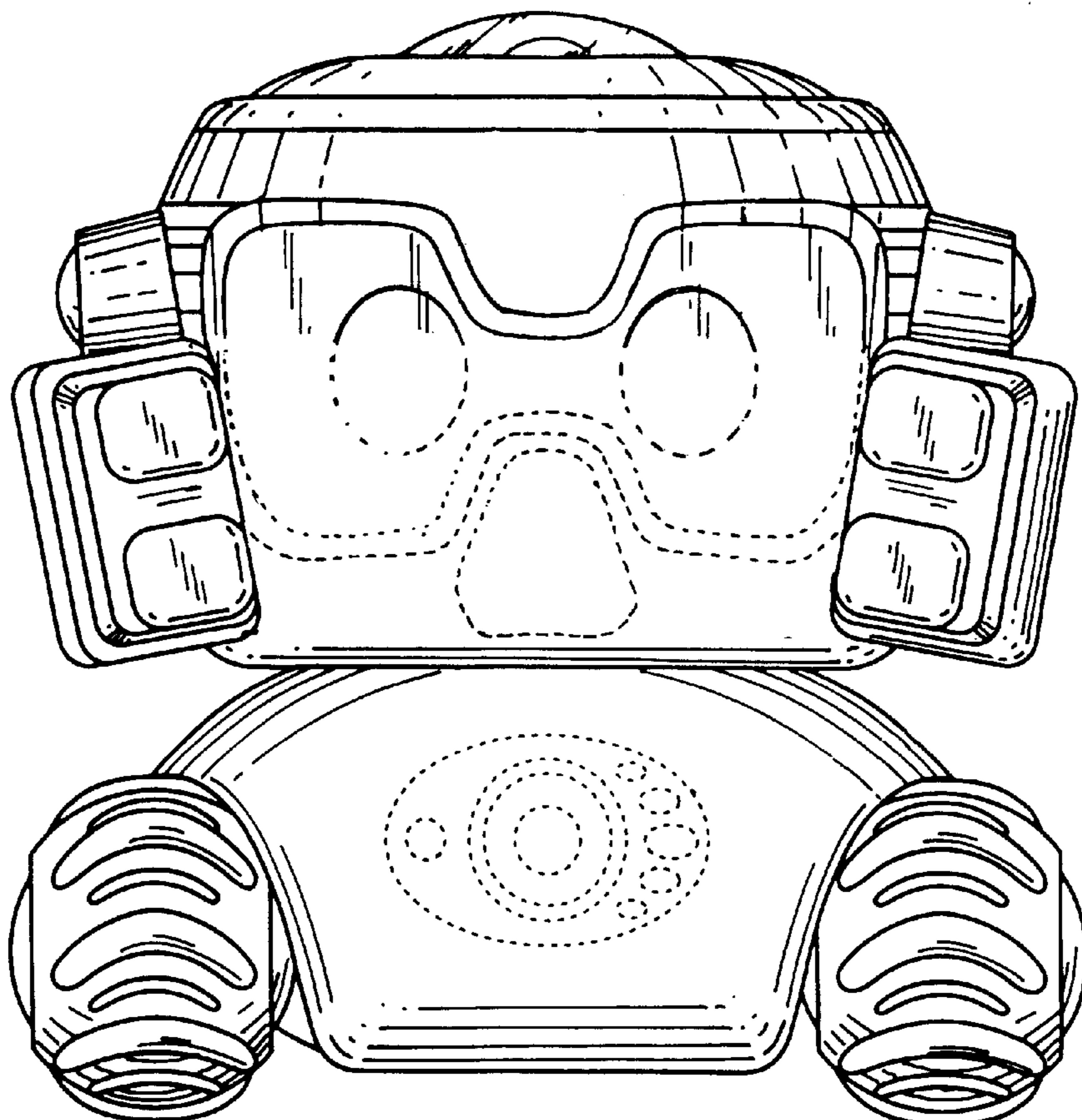
(57) **CLAIM**

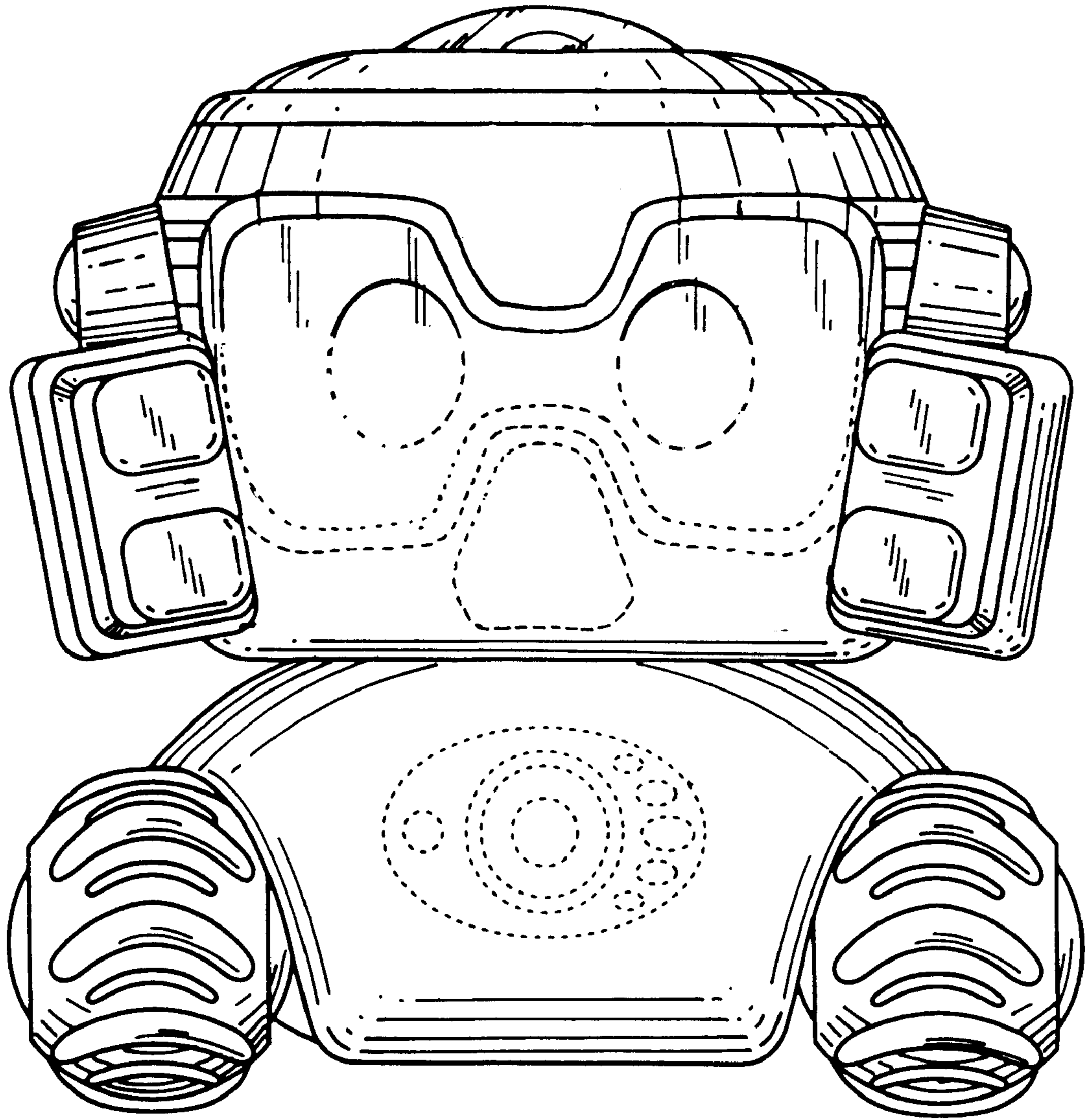
The ornamental design for a toy, as shown and described.

**DESCRIPTION**

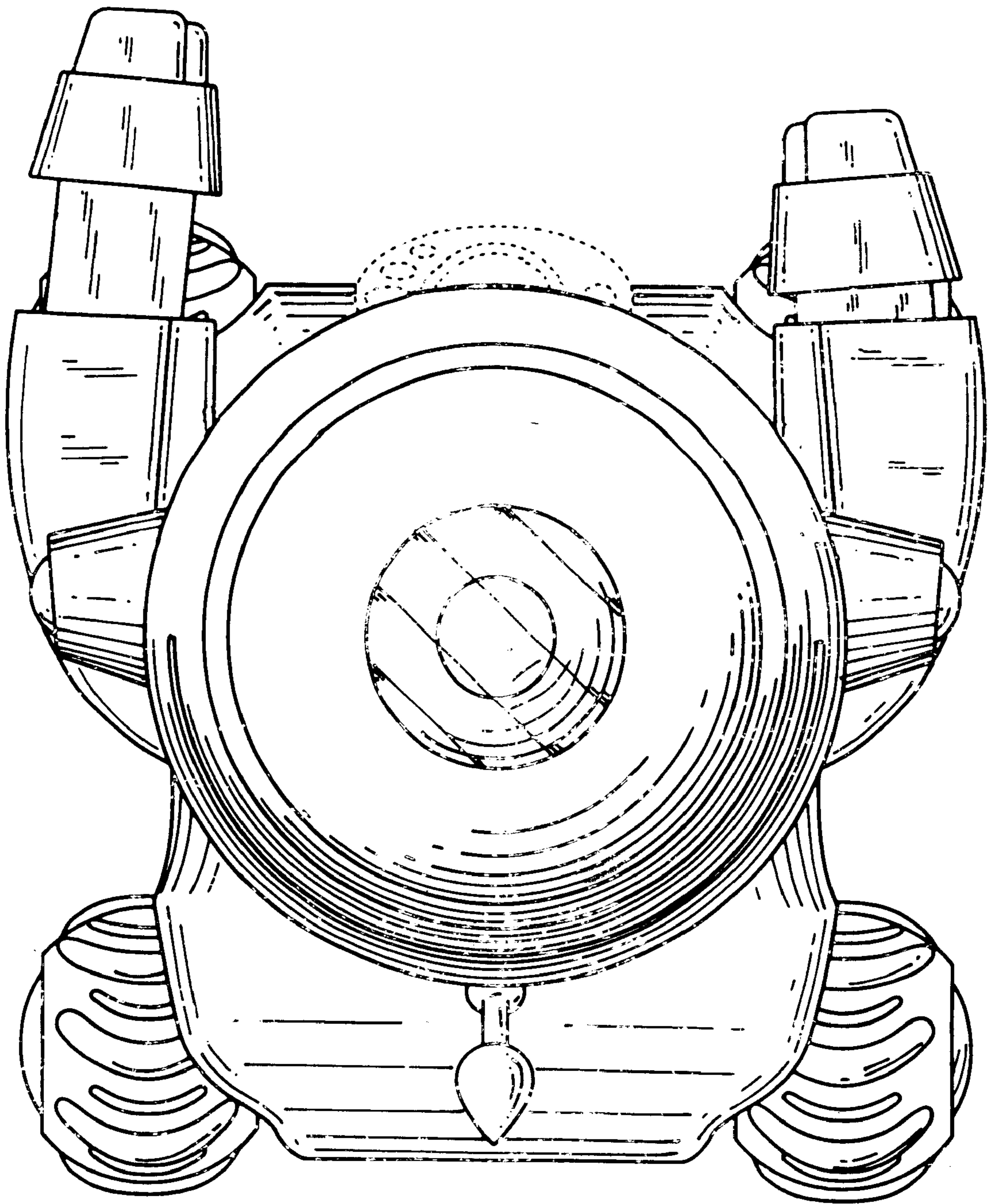
FIG. 1 is a front elevation of a toy showing our new design;  
FIG. 2 is a top plan view of FIG. 1;  
FIG. 3 is a bottom plan view of FIG. 1;  
FIG. 4 is a side elevation of FIG. 1; and,  
FIG. 5 is a rear elevation of FIG. 1.  
The broken lines shown in FIGS. 1 through 4 are for  
illustrative purposes only and do not form part of the  
claimed design.

**1 Claim, 5 Drawing Sheets**



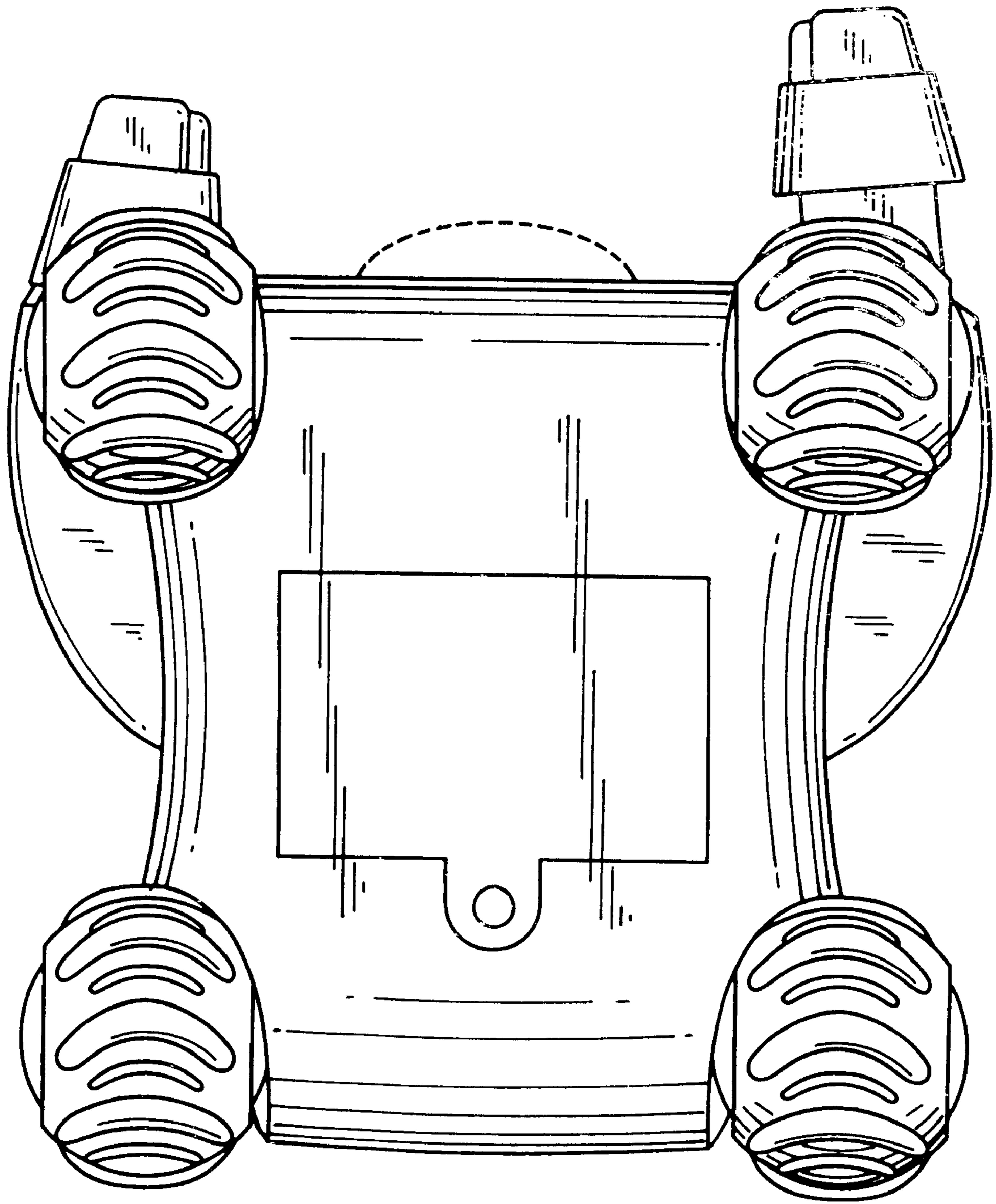


*FIG. 1*



*FIG. 2*





*FIG. 3*

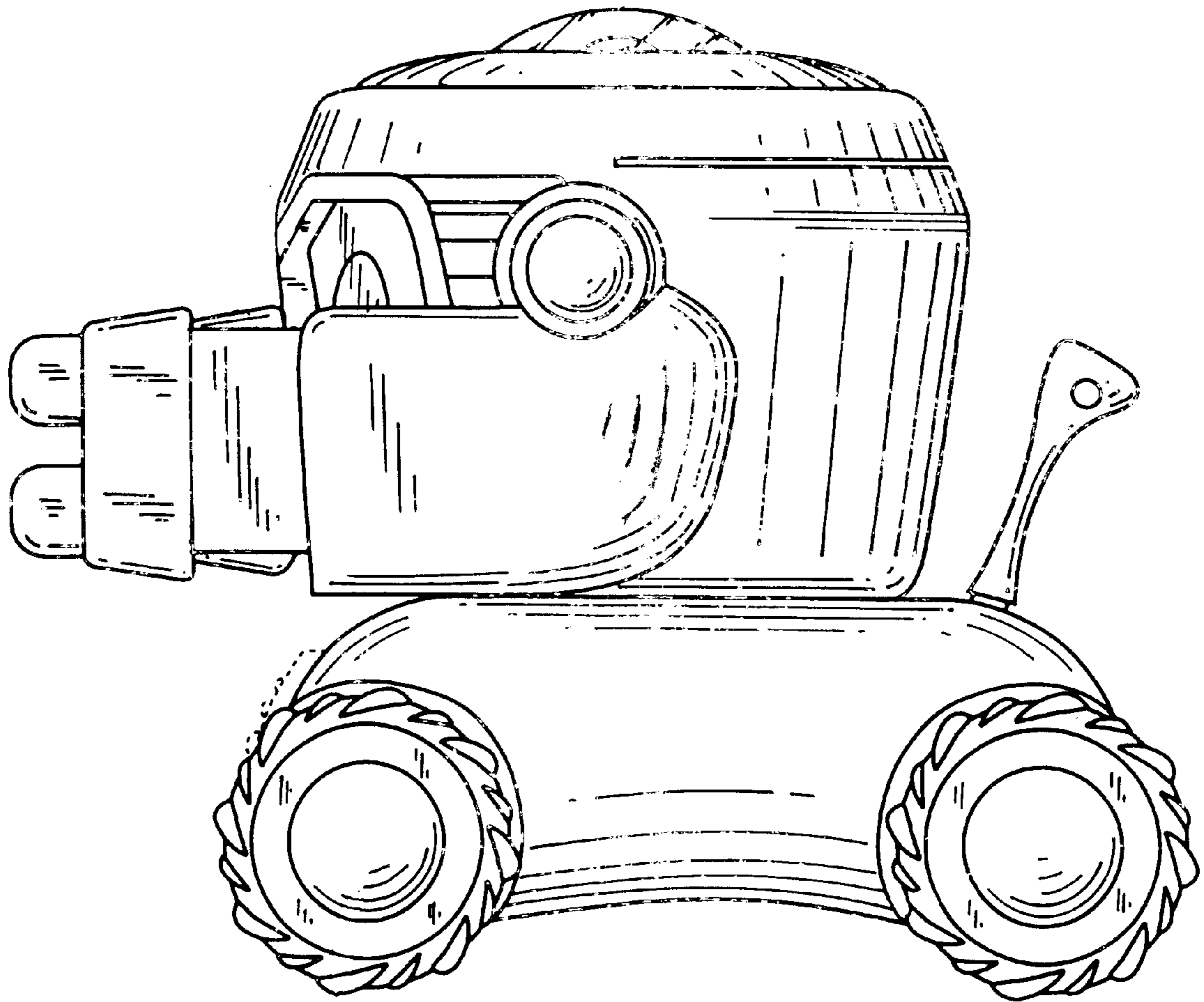
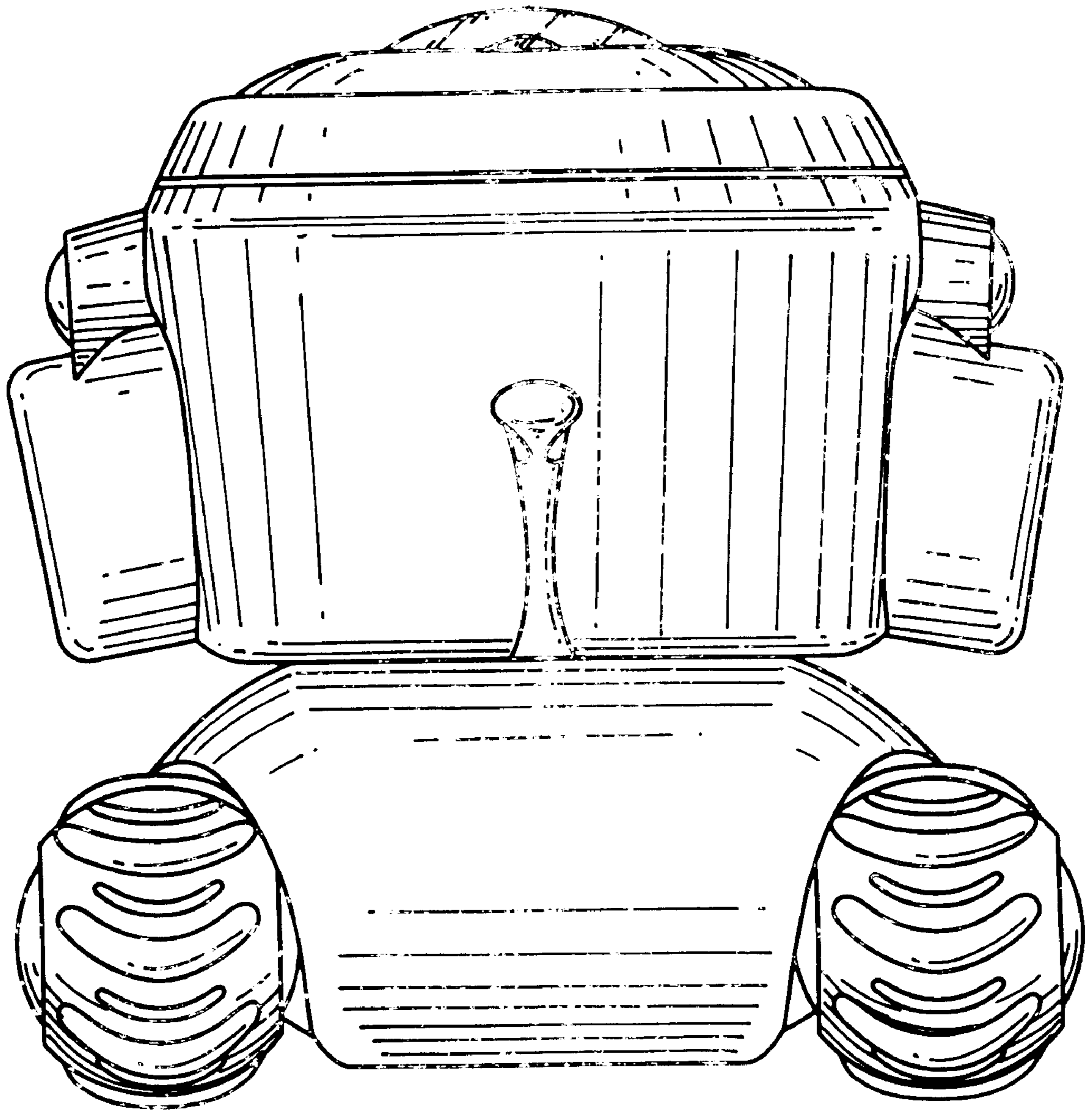


FIG. 4



*FIG. 5*