



US00D464089S

(12) **United States Design Patent**
Studebaker

(10) **Patent No.:** **US D464,089 S**

(45) **Date of Patent:** **** Oct. 8, 2002**

(54) **TOY TABLE**

OTHER PUBLICATIONS

(76) Inventor: **Alan Studebaker**, 465 Veronica Ct.,
Sparks, NV (US) 89436

“Toy Tables” Catalog, p. 3, 1995.*
Roman Off Catalog, Feb. 21, 1995.*

(**) Term: **14 Years**

* cited by examiner

(21) Appl. No.: **29/129,663**

Primary Examiner—Raphael Barkai
(74) *Attorney, Agent, or Firm*—Brian C. Kelly

(22) Filed: **Sep. 19, 2000**

(57) **CLAIM**

(51) **LOC (7) Cl.** **21-01**

The ornamental design for a toy table, as shown and described.

(52) **U.S. Cl.** **D21/522**

(58) **Field of Search** D21/519, 522;
D6/397, 480, 484; 446/71, 75, 76, 482,
128; 108/13, 14, 161

DESCRIPTION

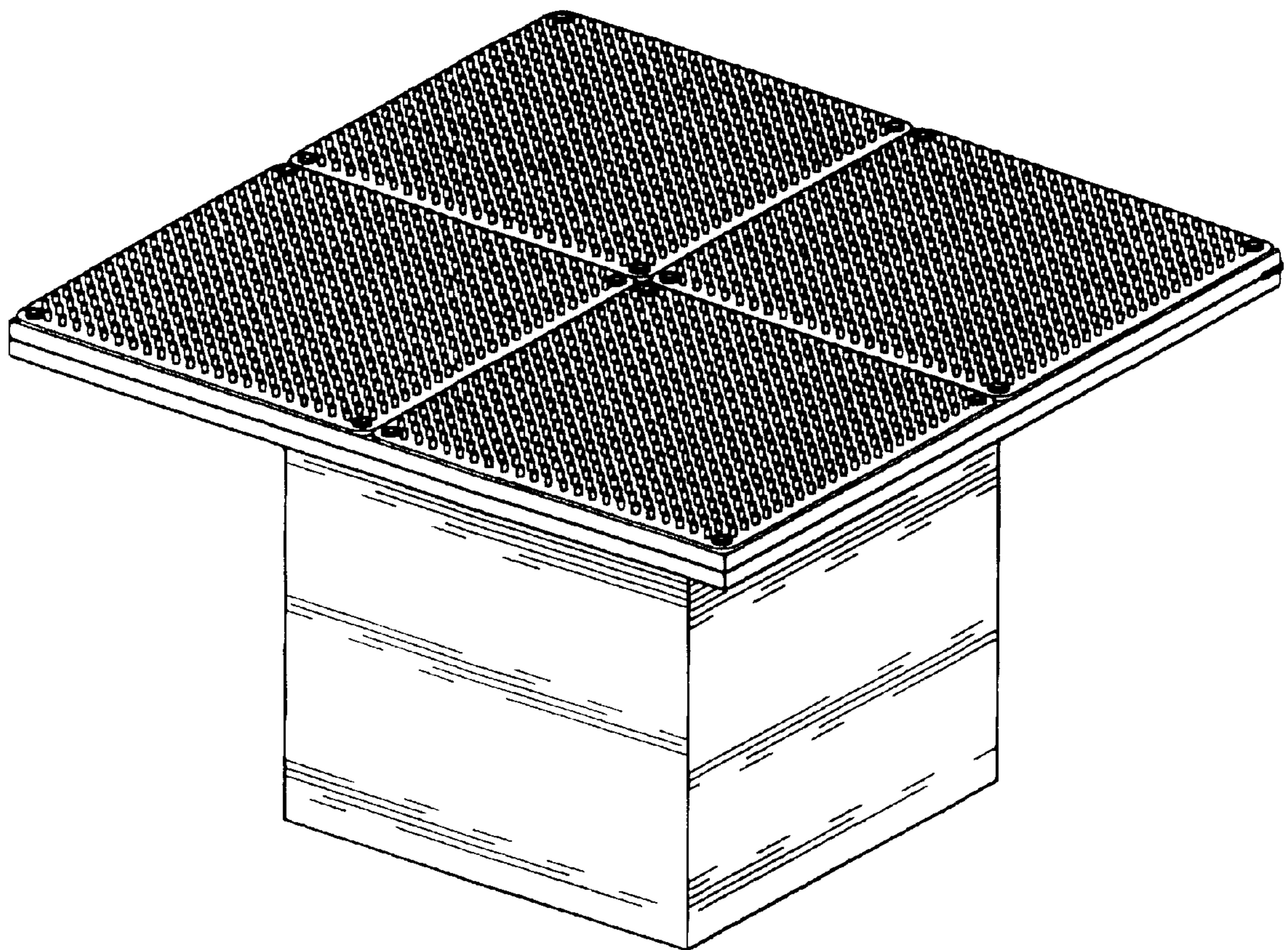
(56) **References Cited**

U.S. PATENT DOCUMENTS

4,872,410	A	*	10/1989	Lilly	108/13
5,055,081	A	*	10/1991	Nayak	446/75
5,218,912	A	*	6/1993	Boske	108/14
D359,085	S	*	6/1995	Gierahn et al.	D21/522
D362,142	S	*	9/1995	Yu-Chin	D6/397
5,474,483	A	*	12/1995	Sun	446/128
D368,189	S	*	3/1996	Bro et al.	D6/480
D382,144	S	*	8/1997	Lo	D6/484

FIG. 1: A perspective view.
FIG. 2: A top view.
FIG. 3: A front view.
FIG. 4: A right side (left mirror) view.
FIG. 5: A rear view.
FIG. 6: A bottom view.
FIG. 7: A perspective view with lid open.
FIG. 8 is a perspective view of a modified embodiment of the design shown in FIGS. 1-7; and,
FIG. 9 is a front view thereof.

1 Claim, 3 Drawing Sheets



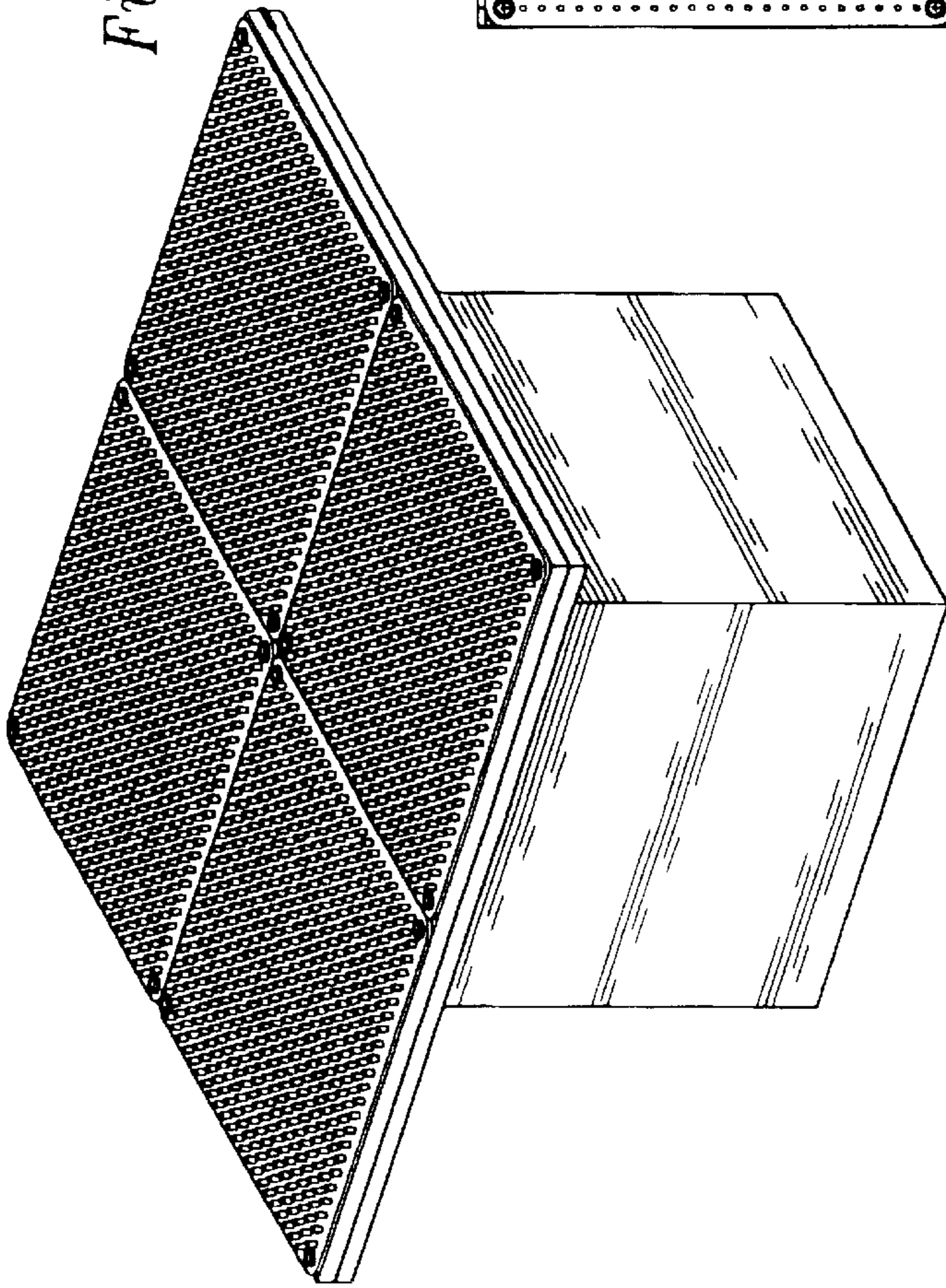


Fig. 1

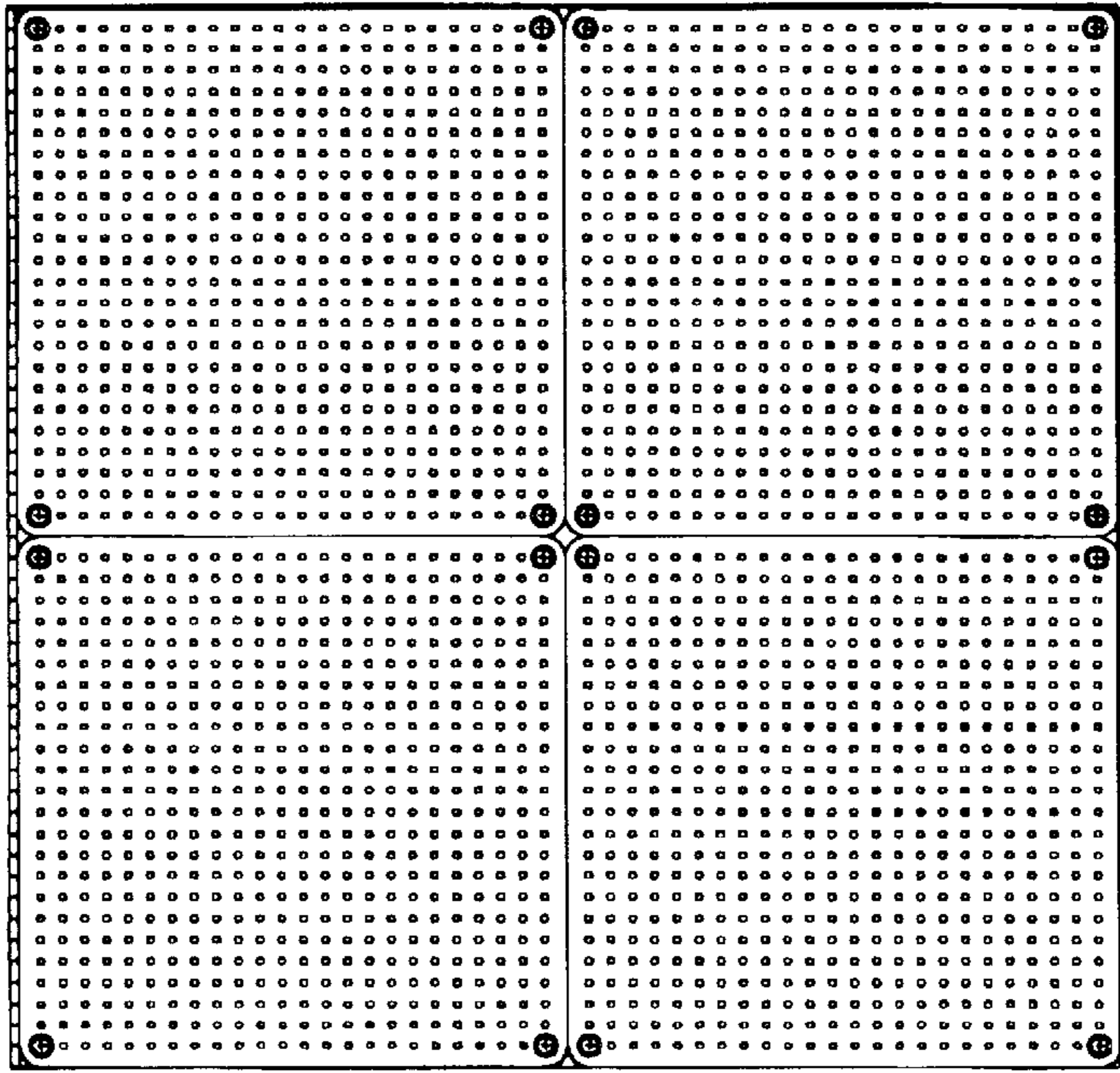


Fig. 2

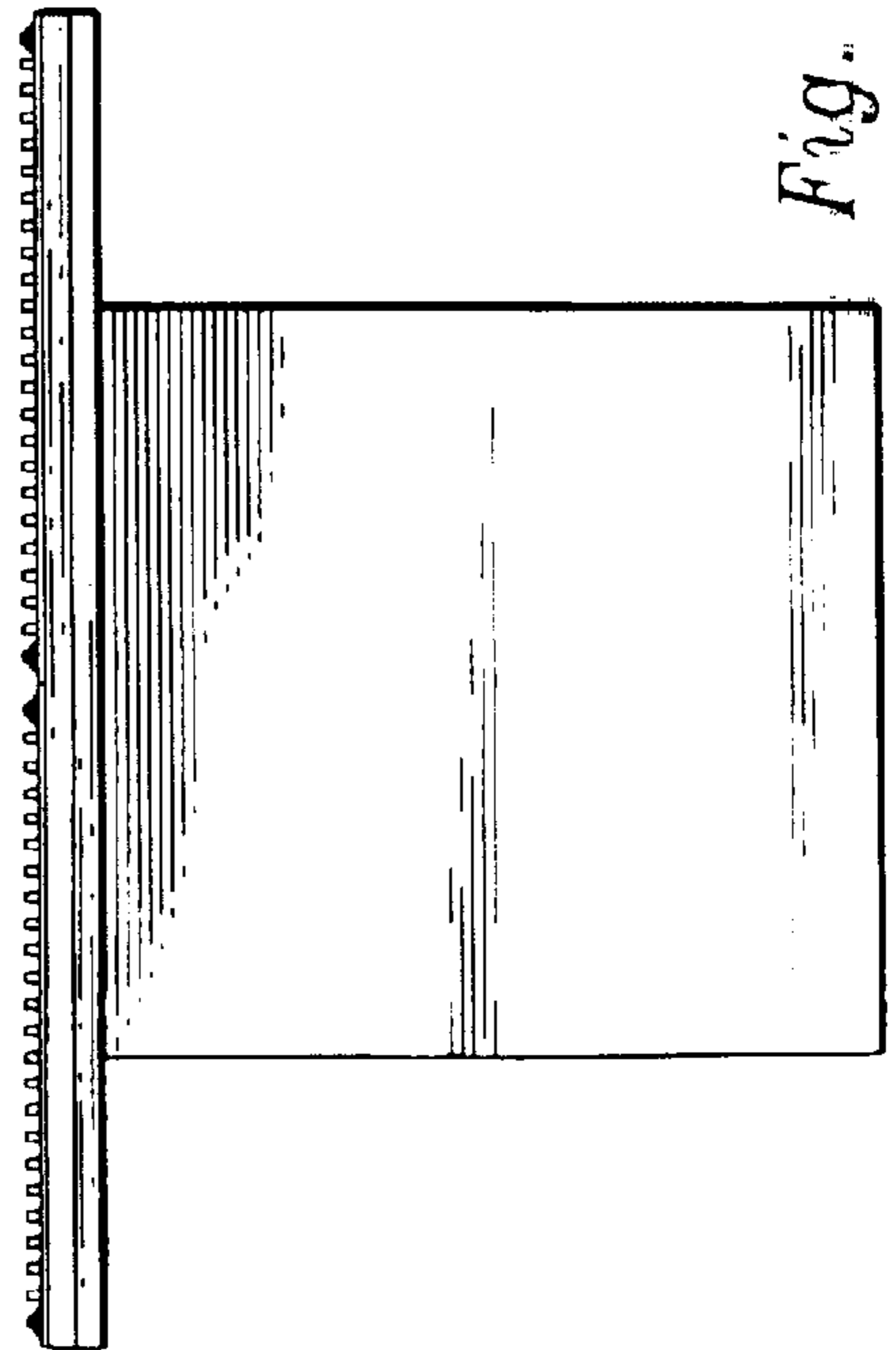


Fig. 3

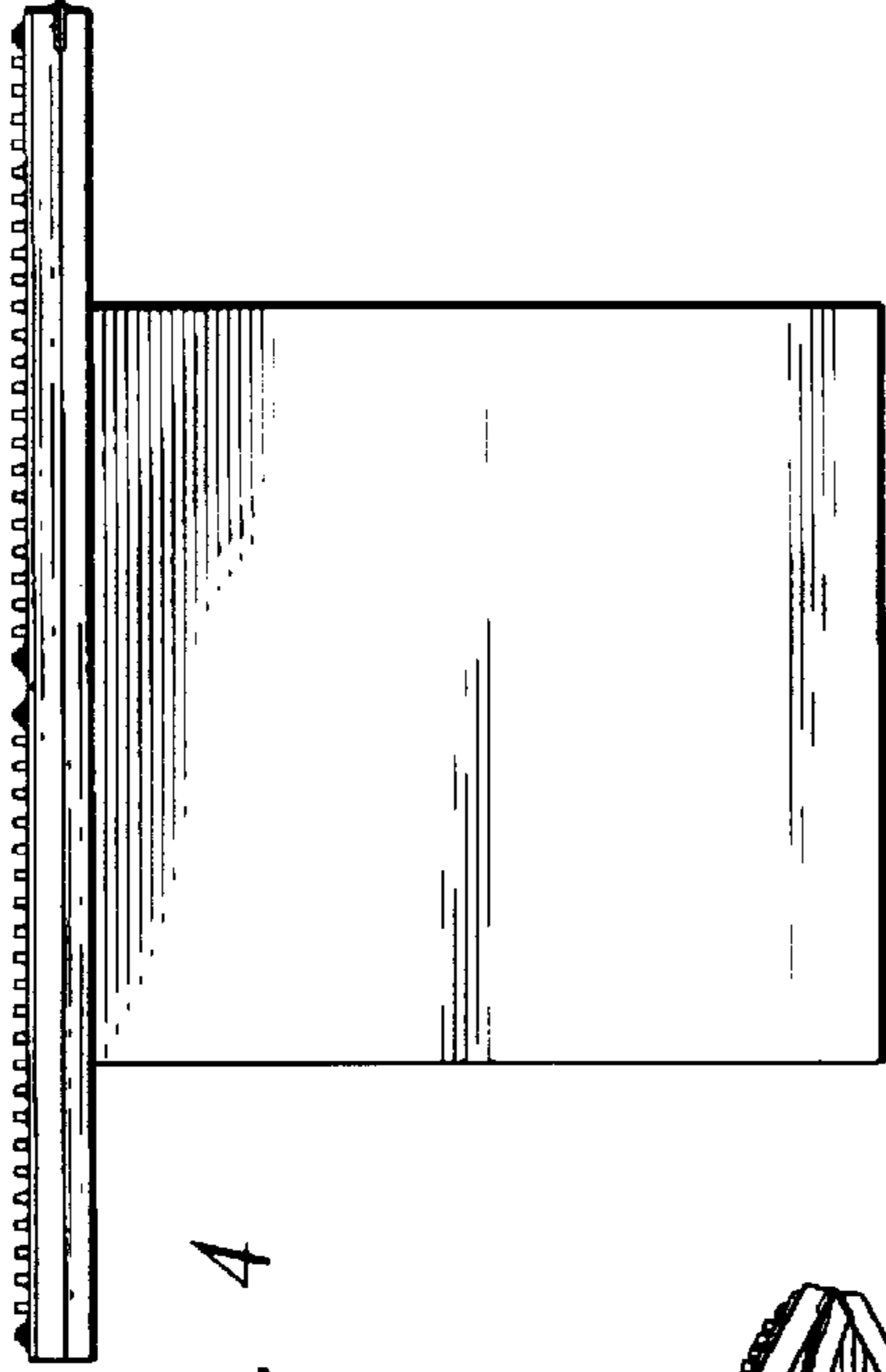


Fig. 4

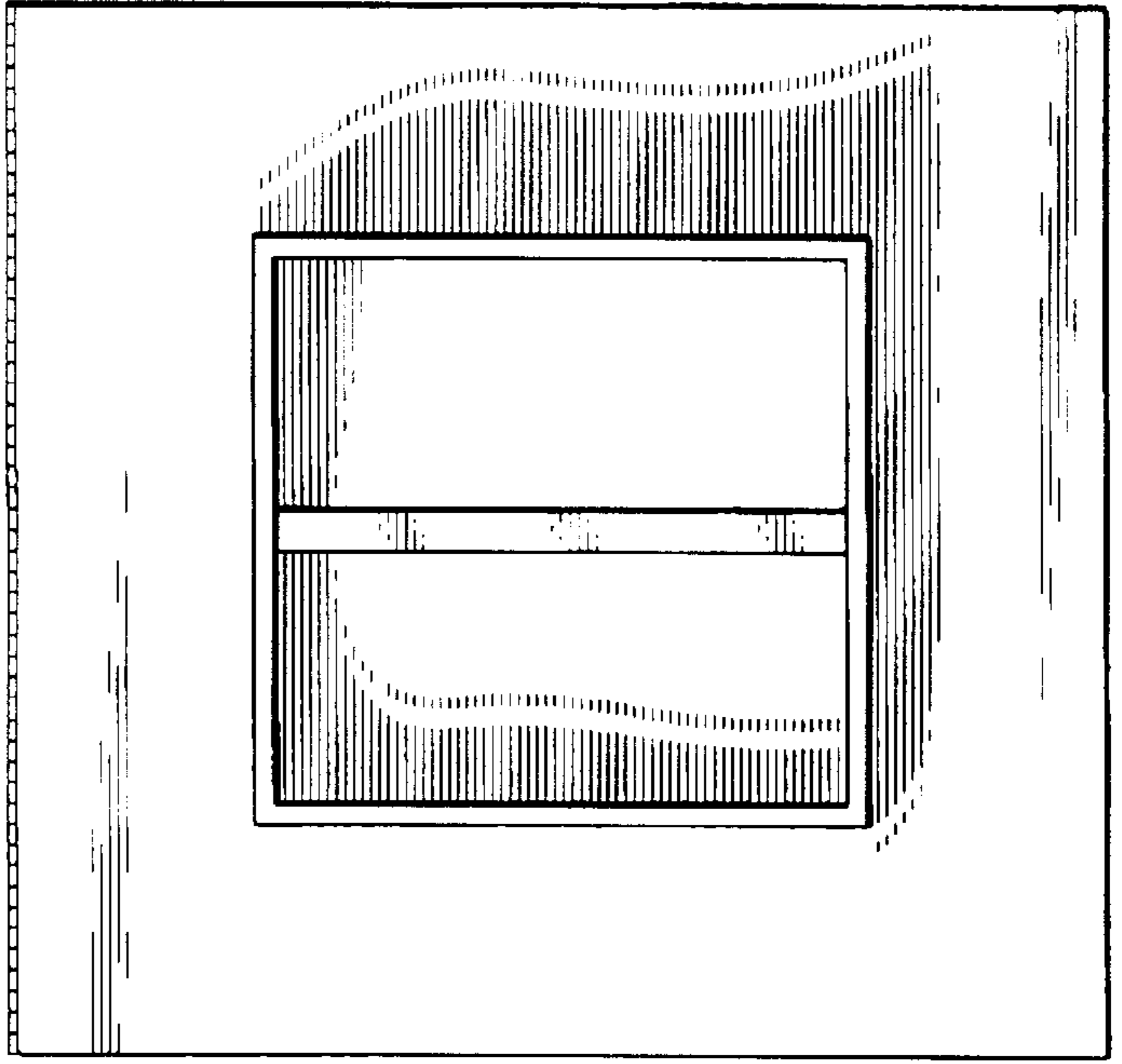


Fig. 6

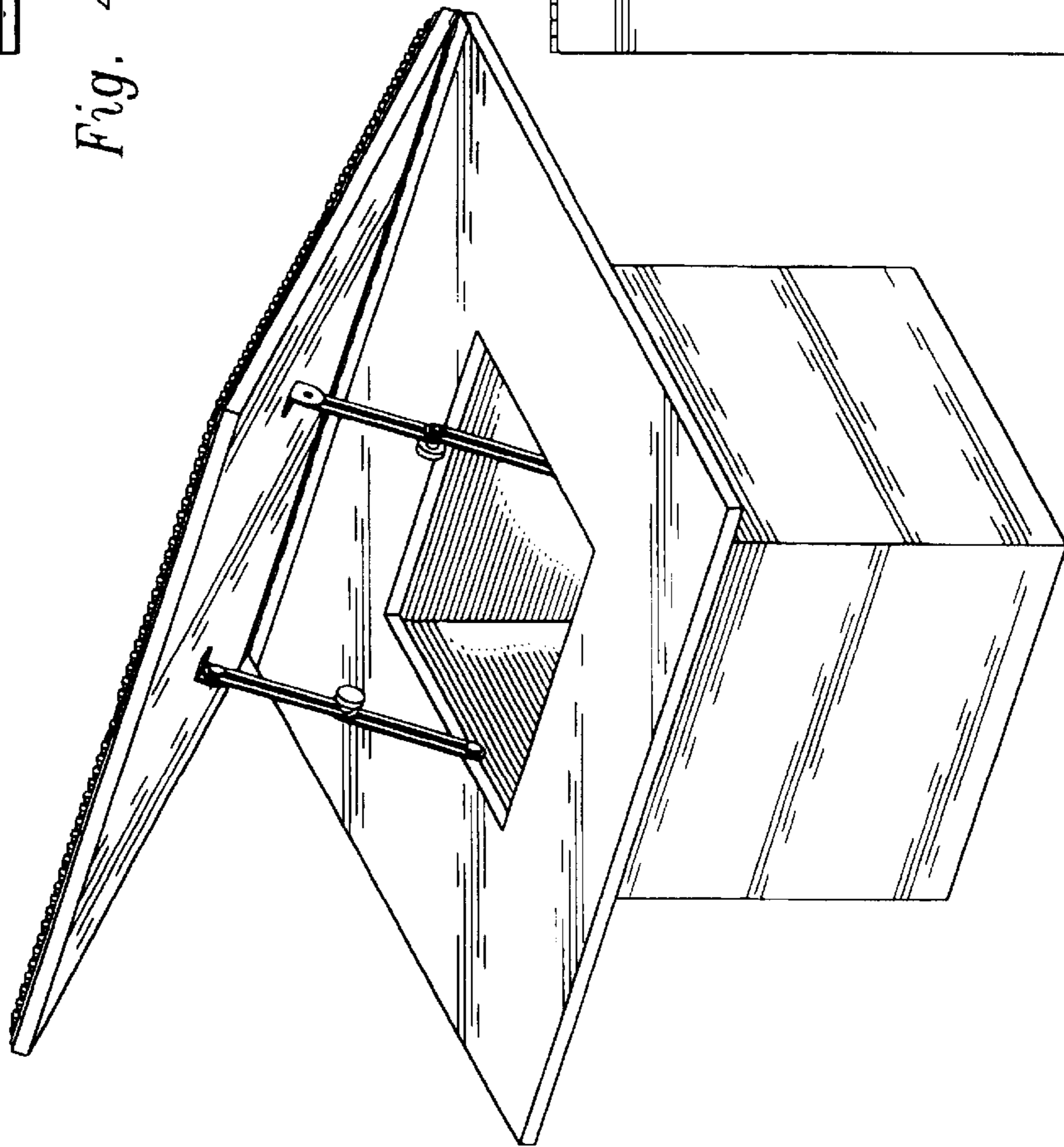


Fig. 7

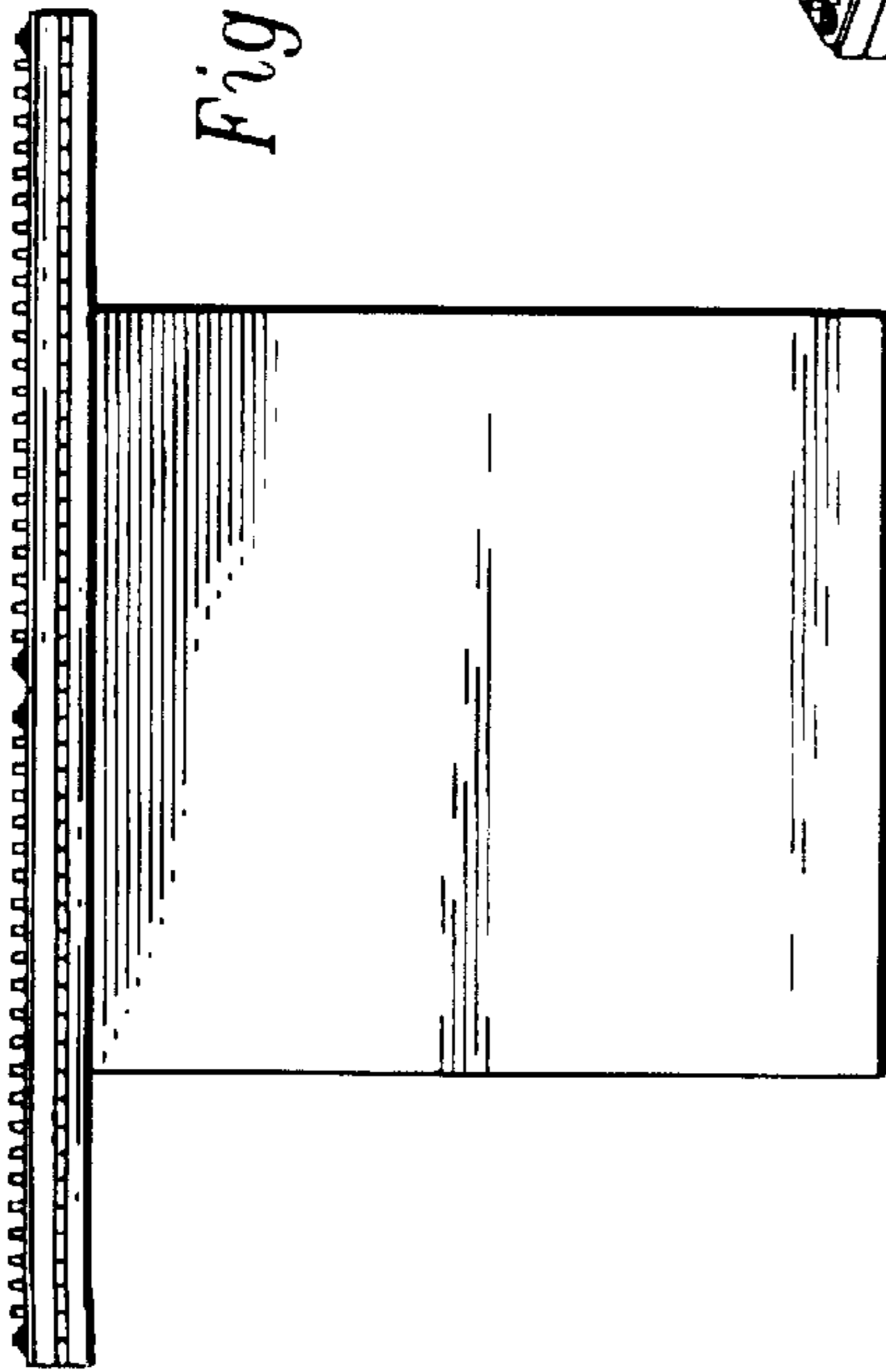


Fig. 5

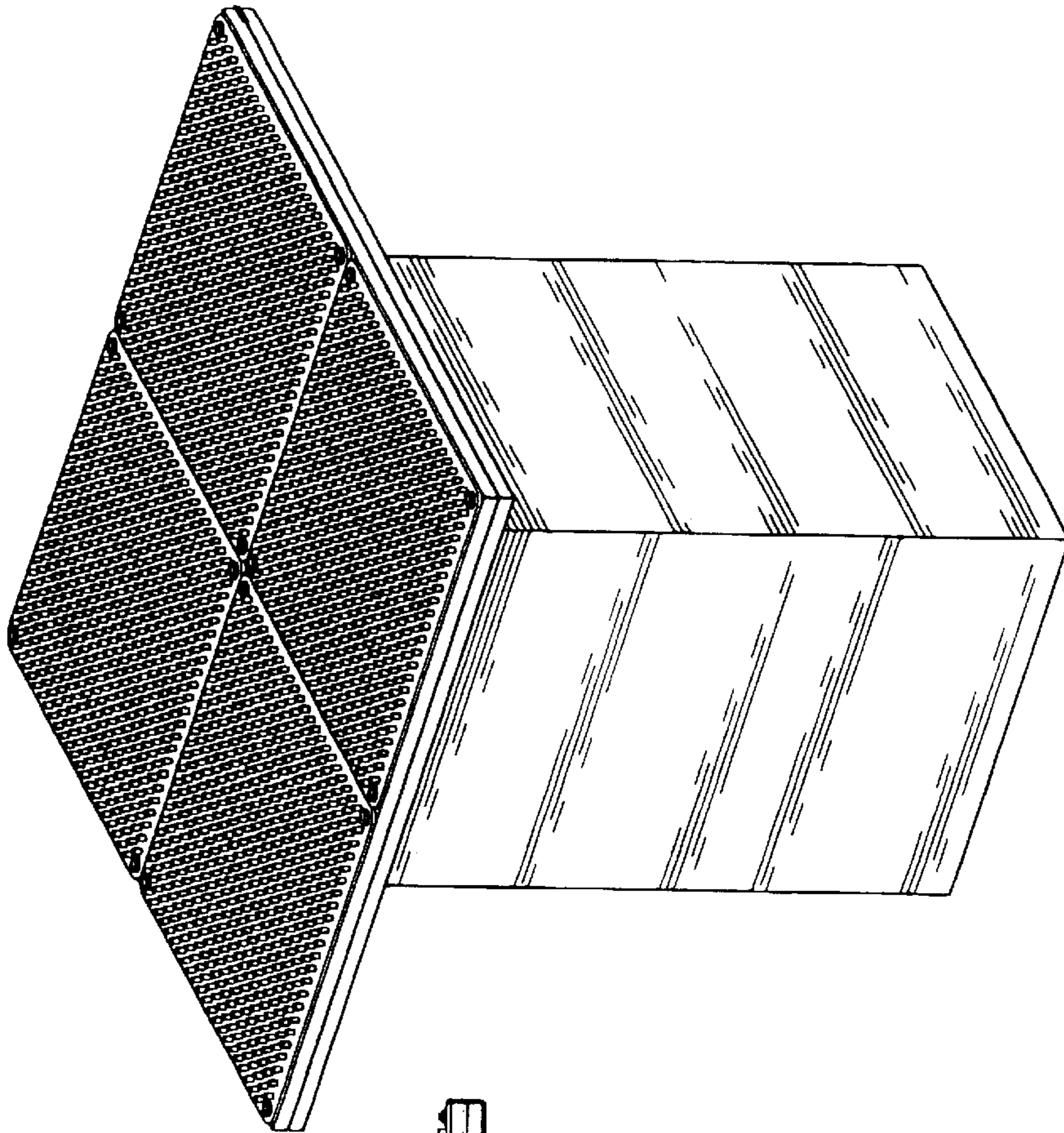


Fig. 8

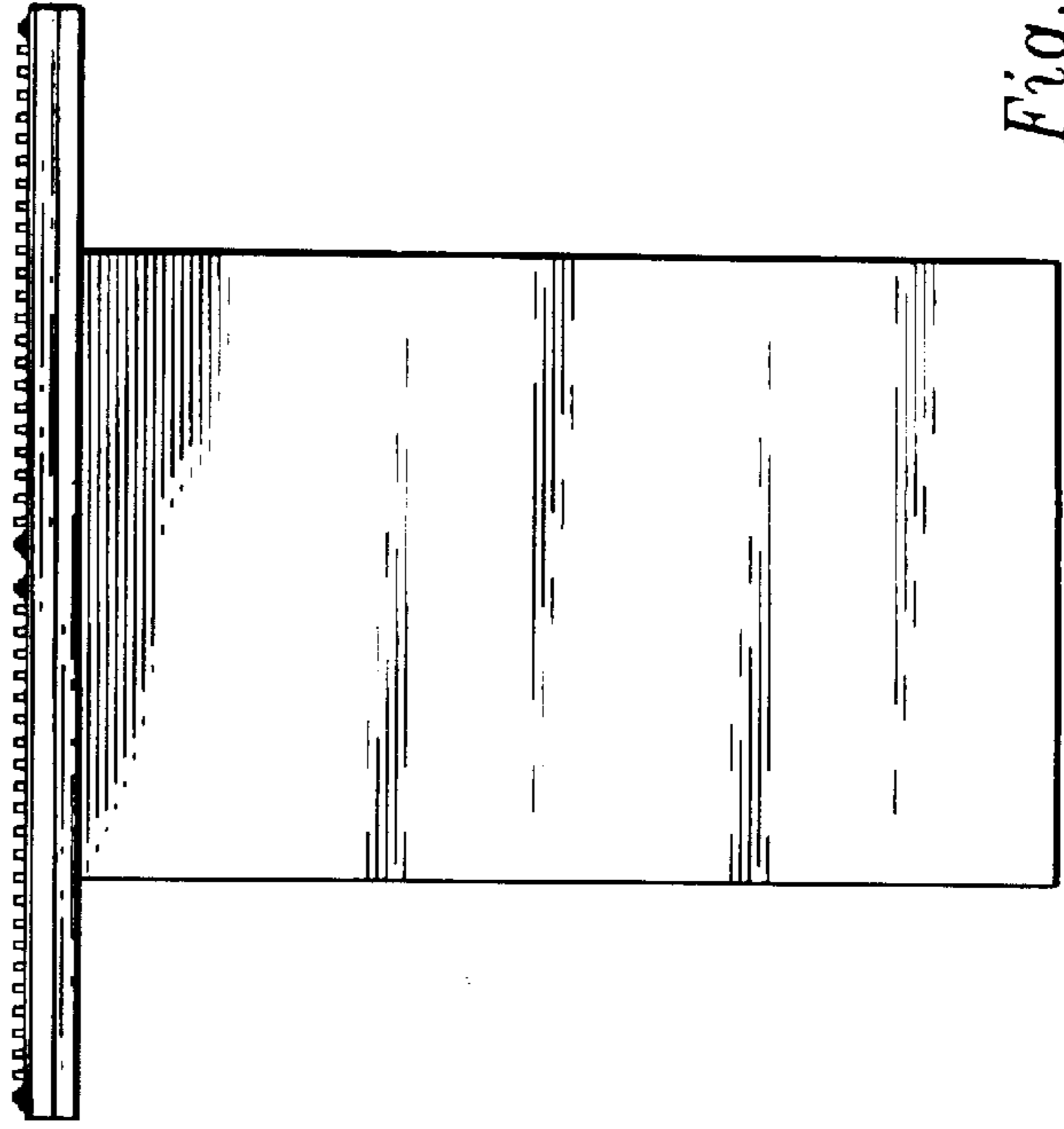


Fig. 9