



US00D464087S

(12) **United States Design Patent**
Wu

(10) **Patent No.:** **US D464,087 S**

(45) **Date of Patent:** **** Oct. 8, 2002**

(54) **FRONT BUMPER FOR A JEEP FOR CHILDREN**

(76) **Inventor:** **Jung-Jyh Wu**, No.20, Da Yeou 1st Street, Da Lian Shiang, Kaohsiung Hsien (TW)

(**) **Term:** **14 Years**

(21) **Appl. No.:** **29/150,098**

(22) **Filed:** **Nov. 6, 2001**

(51) **LOC (7) Cl.** **21-01**

(52) **U.S. Cl.** **D21/433; D21/561**

(58) **Field of Search** D21/424-435, D21/533, 548-562; D12/16, 163, 169, 170, 87; 446/424, 425, 427, 433, 454, 456, 457, 462, 465, 470, 471; 280/87.01, 87.021, 828; 293/13, 15, 17, 20; 296/185, 186, 190

(56) **References Cited**

U.S. PATENT DOCUMENTS

- D300,011 S * 2/1989 Oba D12/87
- D395,023 S * 6/1998 Hikida D12/16
- D410,502 S * 6/1999 Harrod D21/433
- D417,244 S * 11/1999 Yeh D21/433

- D417,245 S * 11/1999 Wang D21/433
- D419,932 S * 2/2000 Horbury D12/169
- D424,630 S * 5/2000 Tasy D21/433
- D426,270 S * 6/2000 Rubau D21/433
- D432,062 S * 10/2000 Larson D12/169
- D436,386 S * 1/2001 Huntsberger D21/424
- D438,150 S * 2/2001 Yokomaku D12/169
- D447,452 S * 9/2001 Im D12/169

* cited by examiner

Primary Examiner—Raphael Barkai

(74) *Attorney, Agent, or Firm*—Rosenberg, Klein & Lee

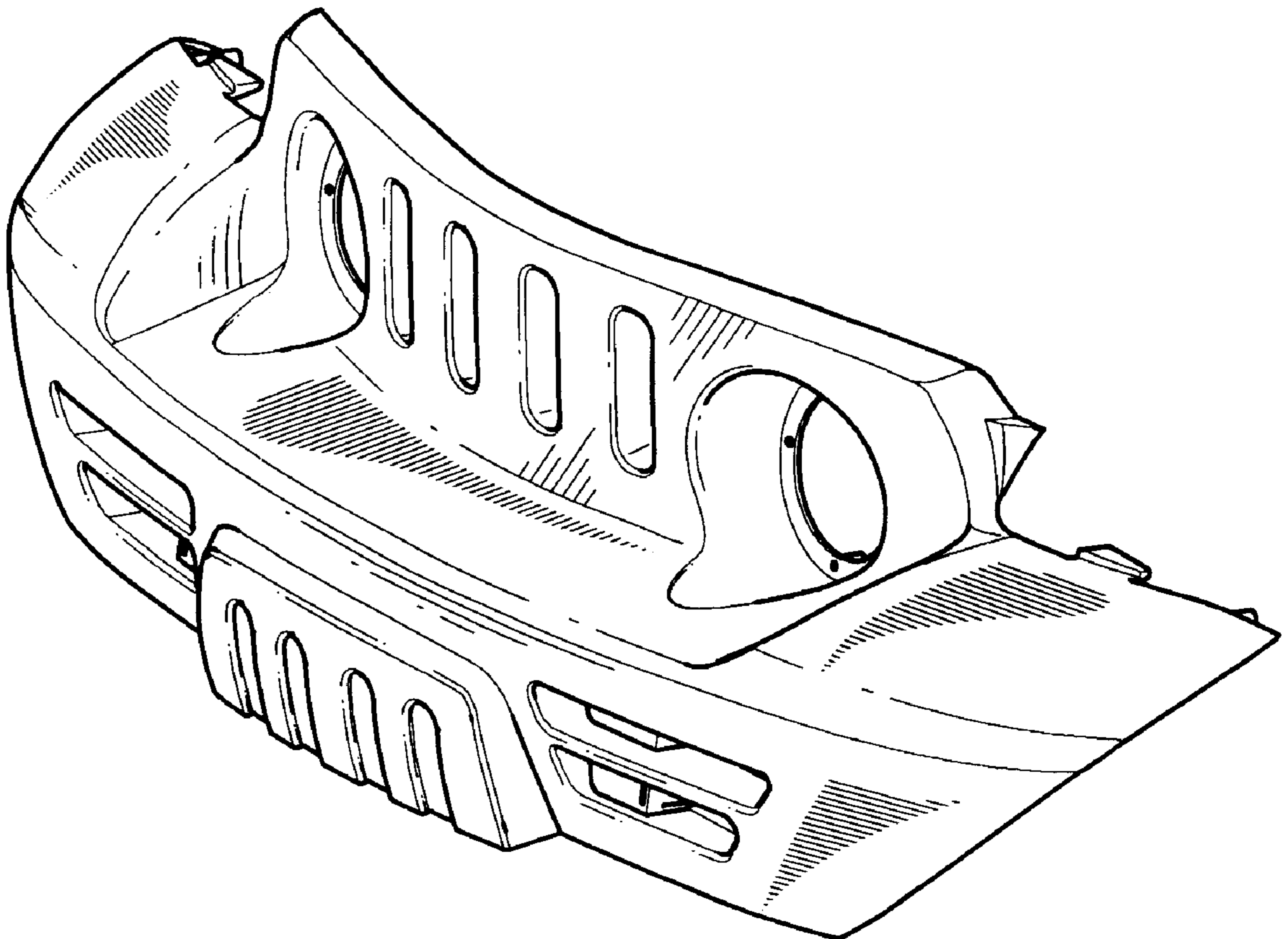
(57) **CLAIM**

The ornamental design for a front bumper for a jeep for children, as shown and described.

DESCRIPTION

FIG. 1 is a perspective view of a front bumper for a jeep for children showing my design;
 FIG. 2 is a front elevational view thereof;
 FIG. 3 is a rear elevational view thereof;
 FIG. 4 is a left elevational view thereof;
 FIG. 5 is a right elevational view thereof;
 FIG. 6 is a top plan view thereof; and,
 FIG. 7 is a bottom plan view thereof.

1 Claim, 4 Drawing Sheets



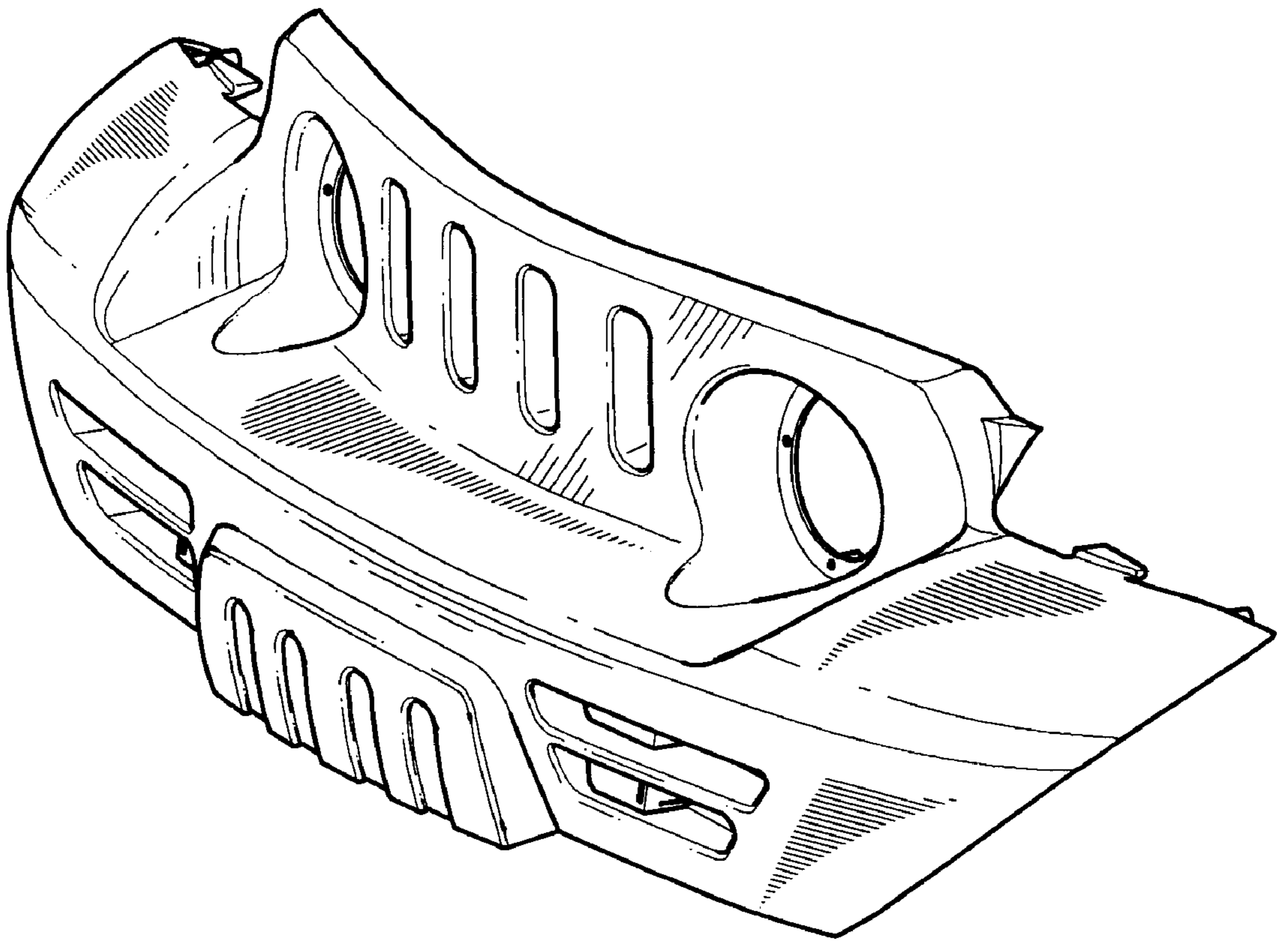


Fig. 1

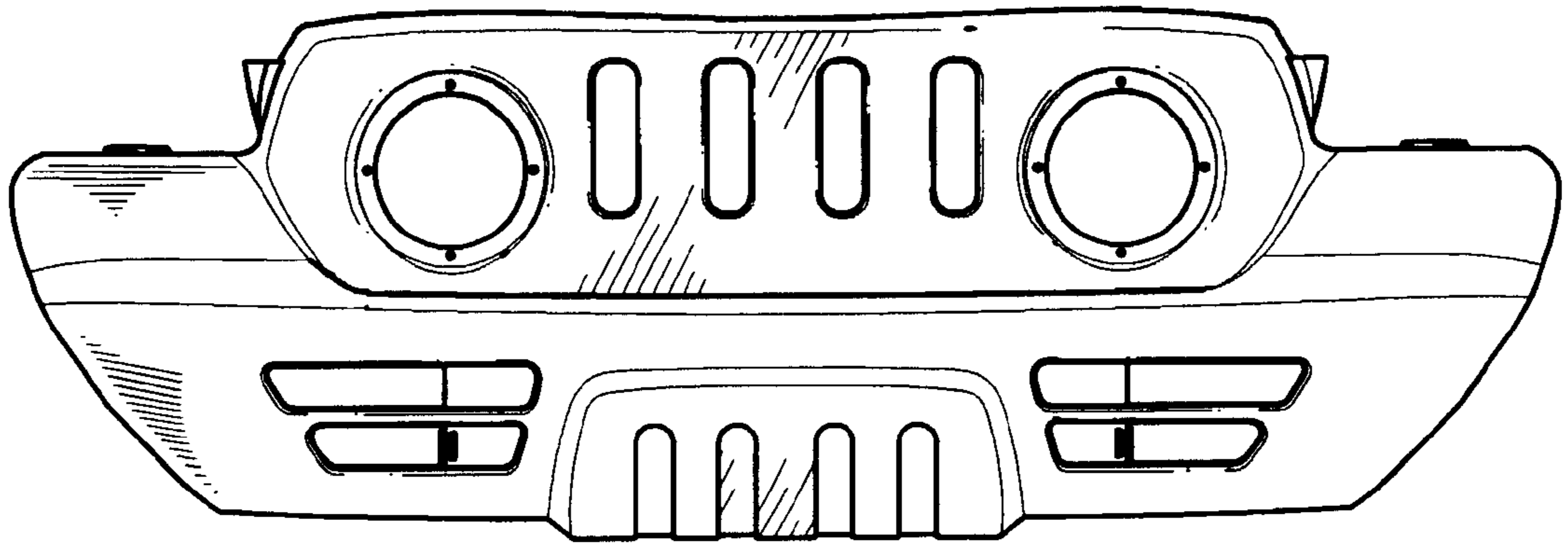


Fig. 2

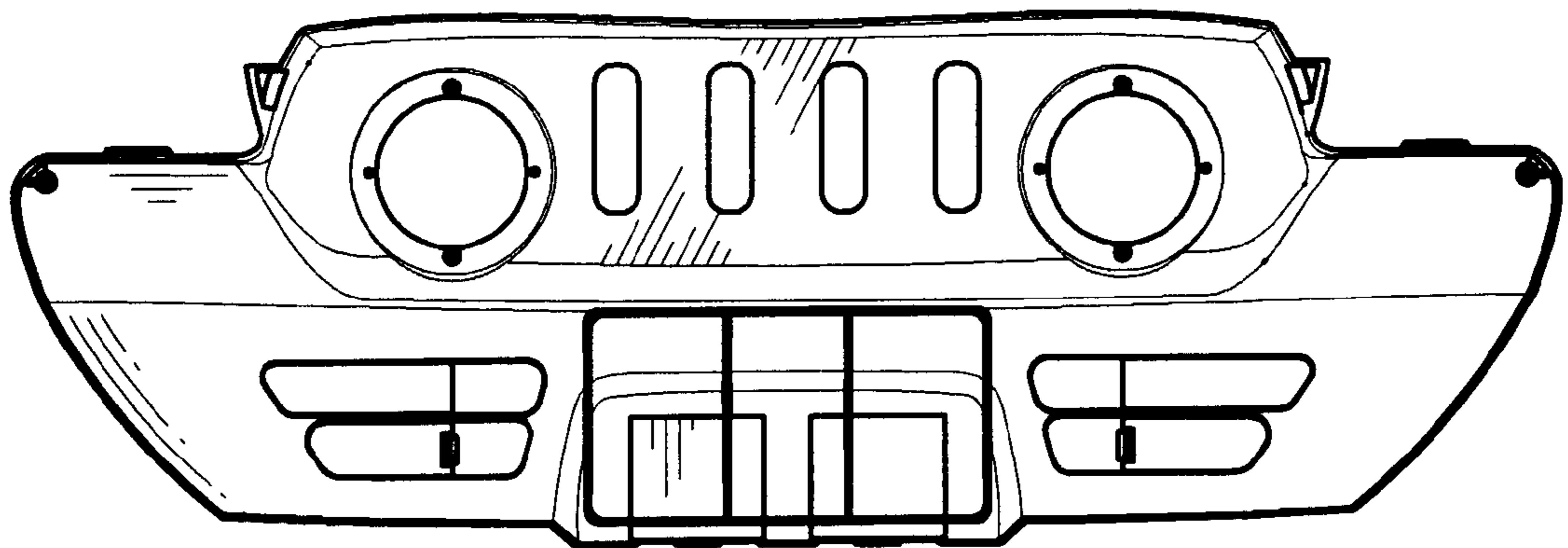


Fig. 3

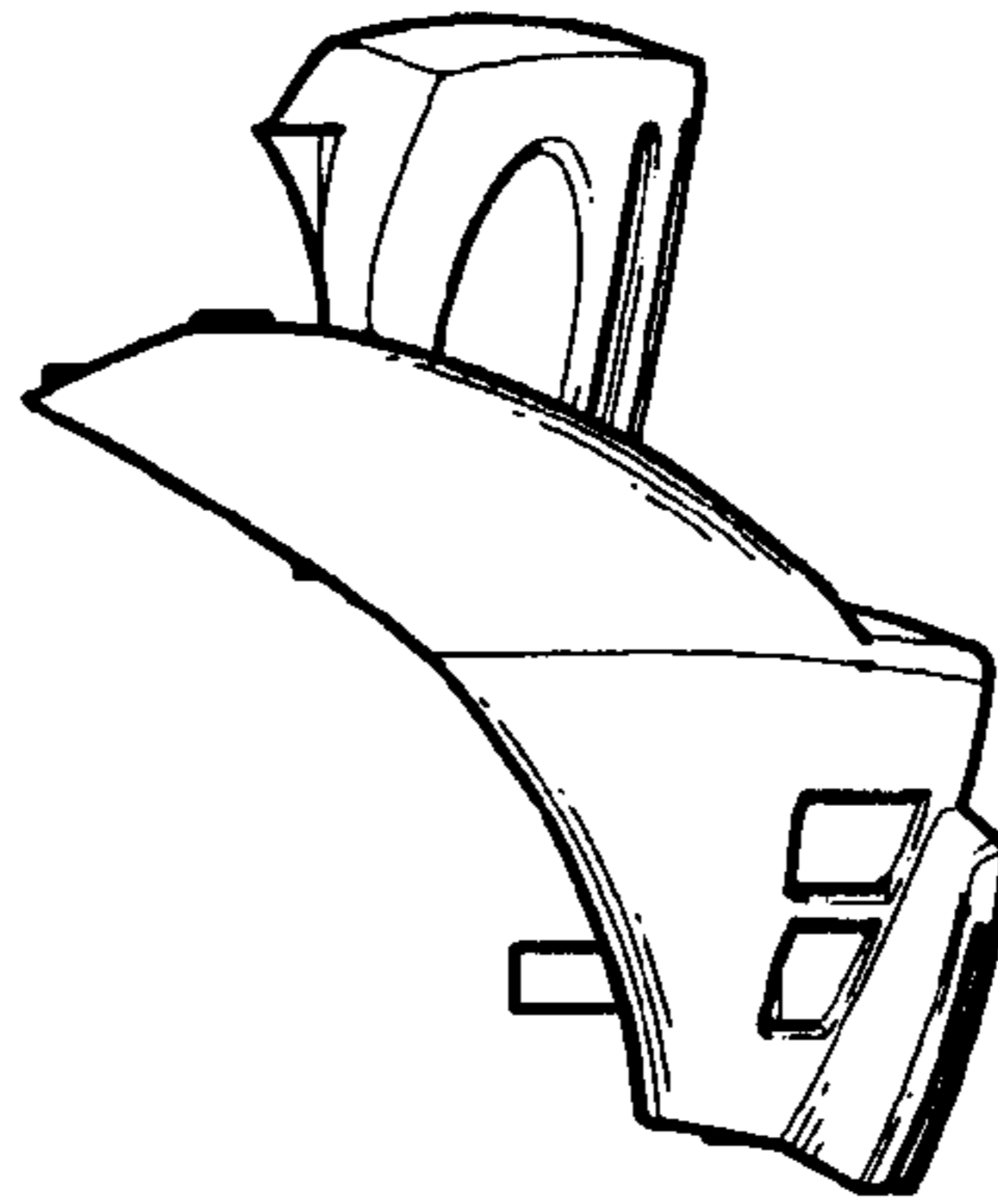


Fig. 4

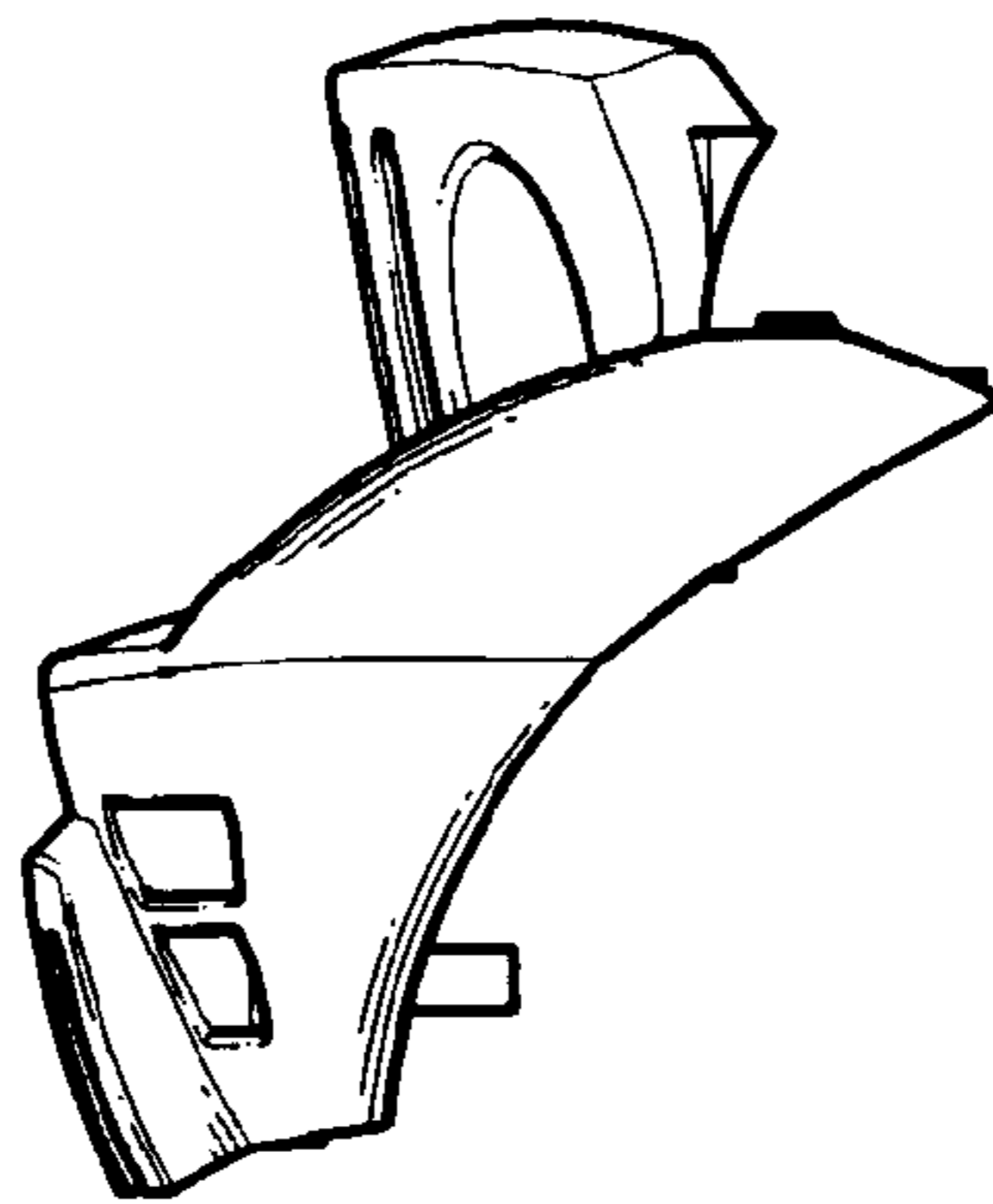


Fig. 5

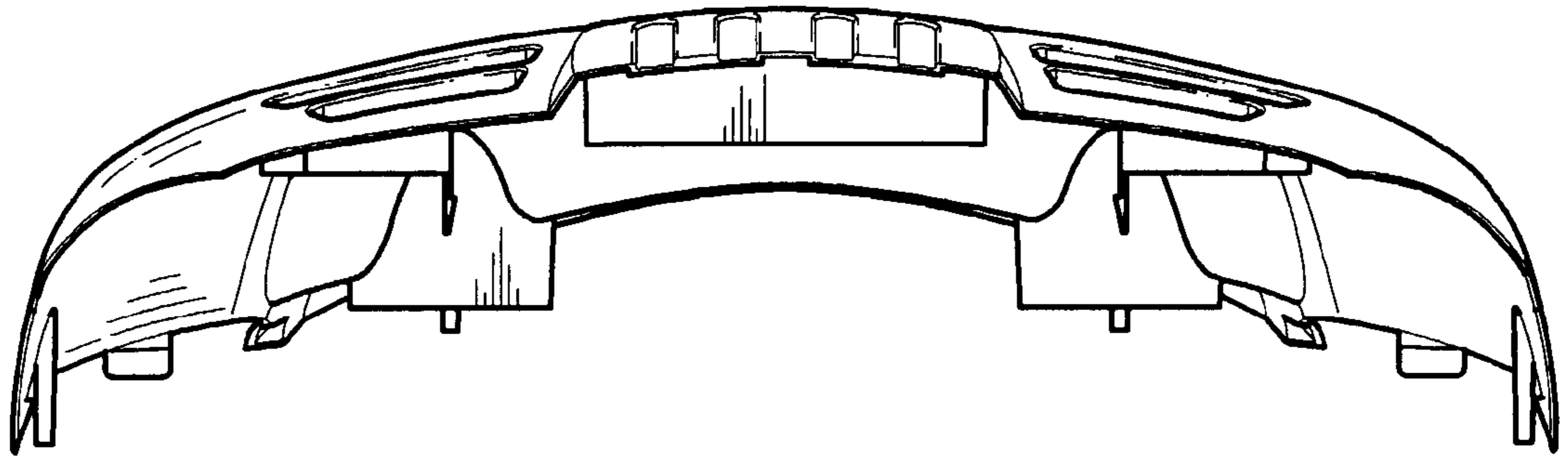


Fig. 6

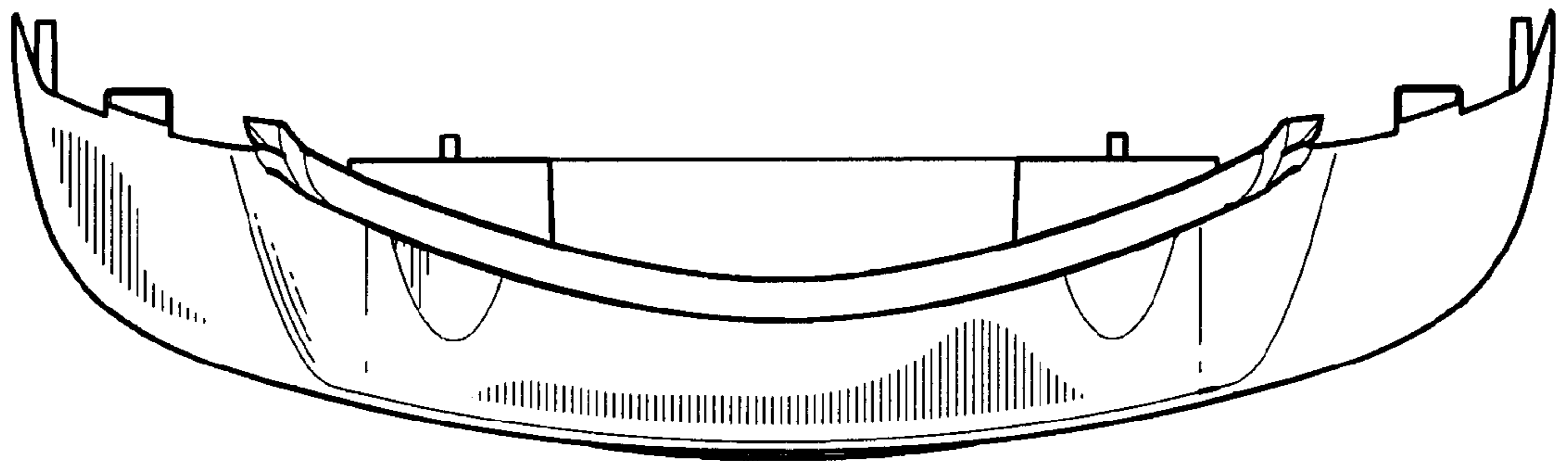


Fig. 7