



US00D464086S

(12) **United States Design Patent**
Wu

(10) **Patent No.:** **US D464,086 S**

(45) **Date of Patent:** **** Oct. 8, 2002**

(54) **JEEP FOR CHILDREN**

(76) **Inventor:** **Jung-Jyh Wu**, No. 20, Da Yeou 1st Street, Da Lian Shiang, Kaohsiung Hsien (TW)

(**) **Term:** **14 Years**

D419,932	*	2/2000	Horbury	D12/169
D424,630	*	5/2000	Tasy	D21/433
D426,270	*	6/2000	Rubau	D21/433
D432,062	*	10/2000	Larson	D12/169
D436,386	*	1/2001	Huntsberger	D21/424
D438,150	*	2/2001	Yokomaku	D12/169
D447,452	*	9/2001	Im	D12/169

* cited by examiner

(21) **Appl. No.:** **29/150,097**

(22) **Filed:** **Nov. 6, 2001**

(51) **LOC (7) Cl.** **21-01**

(52) **U.S. Cl.** **D21/433**

(58) **Field of Search** D21/424-435, D21/533, 548-562; D12/16, 163, 169, 170, 87; 446/424, 425, 427, 433, 454, 456, 457, 462, 465, 470, 471; 280/87.01, 87.021, 828; 293/13, 15, 17, 20; 296/185, 186, 190

Primary Examiner—Raphael Barkai

(74) *Attorney, Agent, or Firm*—Rosenberg, Klein & Lee

(57) **CLAIM**

The ornamental design for a jeep for children, as shown and described.

DESCRIPTION

FIG. 1 is a perspective view of a jeep for children showing my design;

FIG. 2 is a front elevational view thereof;

FIG. 3 is rear elevational view thereof;

FIG. 4 is a left elevational view thereof;

FIG. 5 is a right elevational view thereof;

FIG. 6 is a top plan view thereof; and,

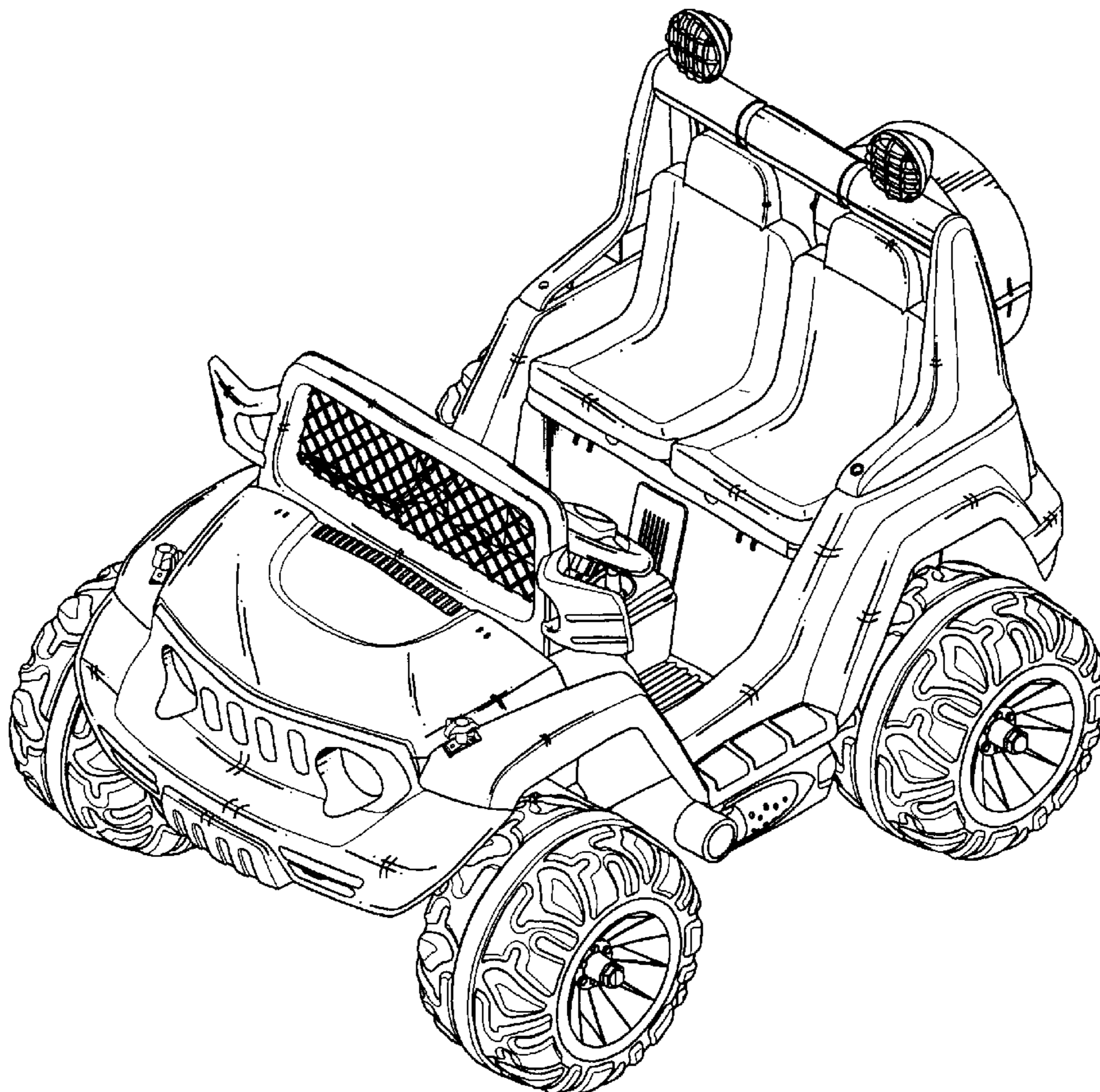
FIG. 7 is a bottom plan view thereof.

(56) **References Cited**

U.S. PATENT DOCUMENTS

D300,011	*	2/1989	Oba	D12/87
D395,023	*	6/1998	Hikida	D12/16
D410,502	*	6/1999	Harrod	D21/433
D417,244	*	11/1999	Yeh	D21/433
D417,245	*	11/1999	Wang	D21/433

1 Claim, 7 Drawing Sheets



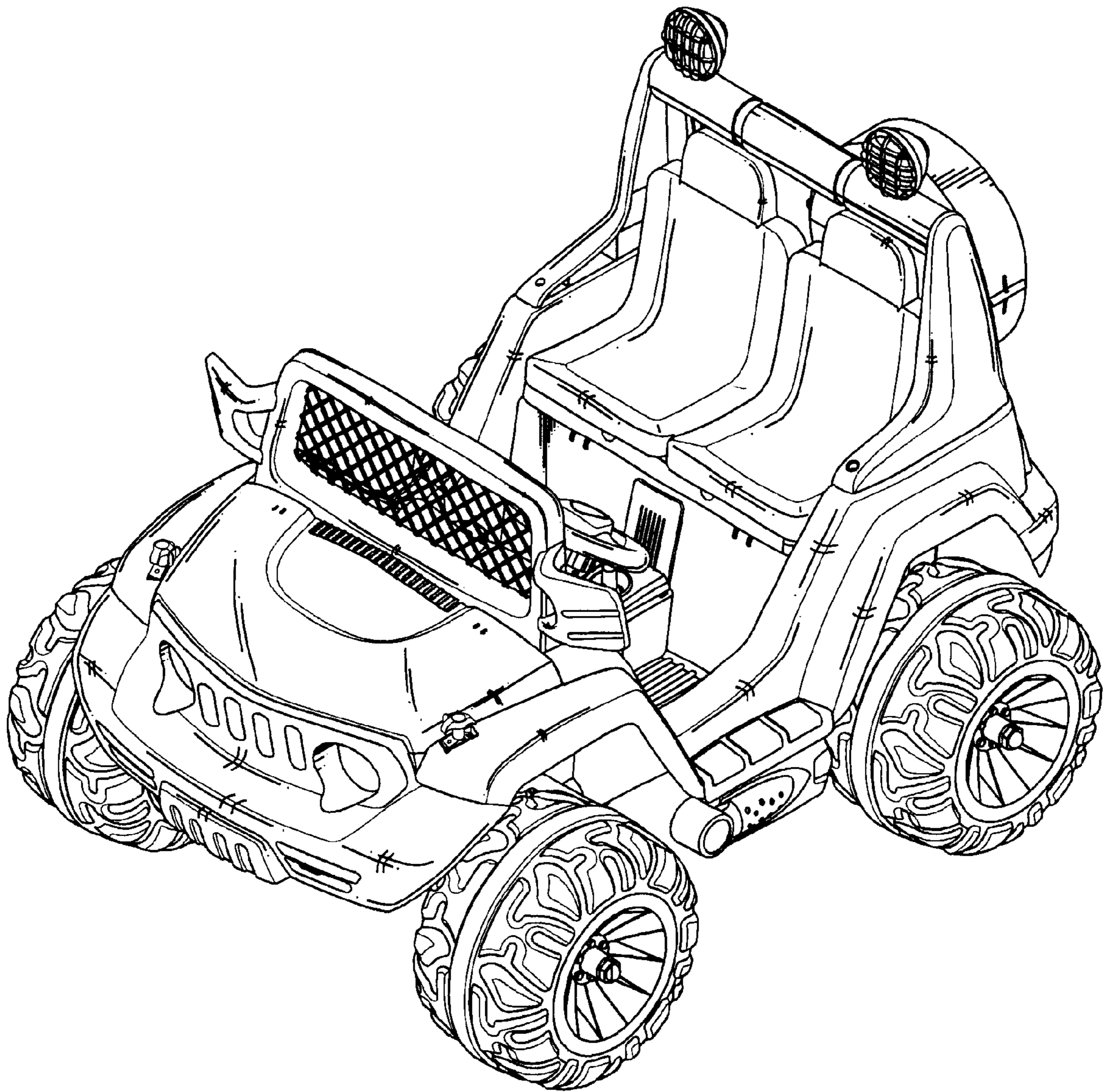


Fig. 1

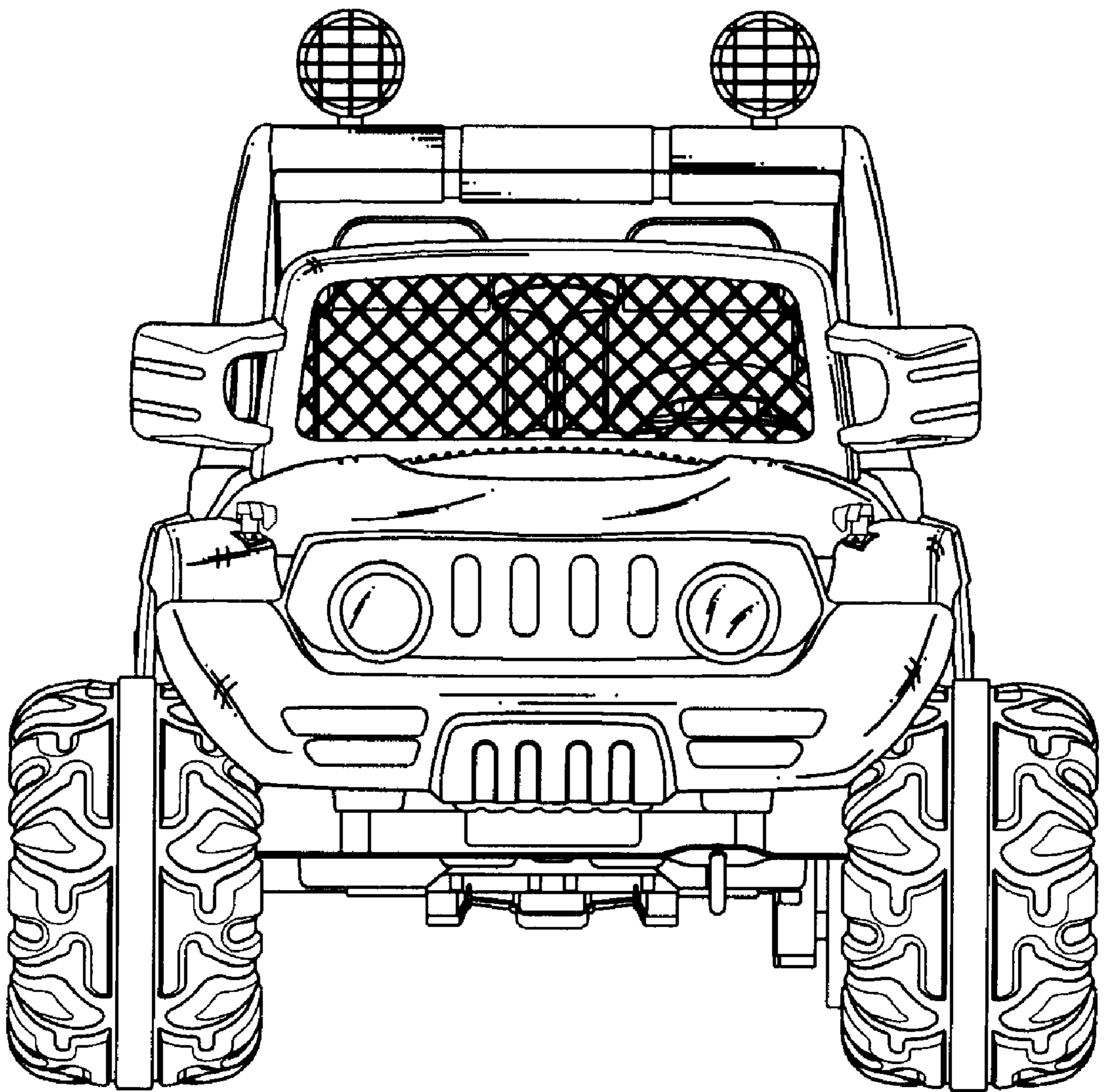


Fig. 2

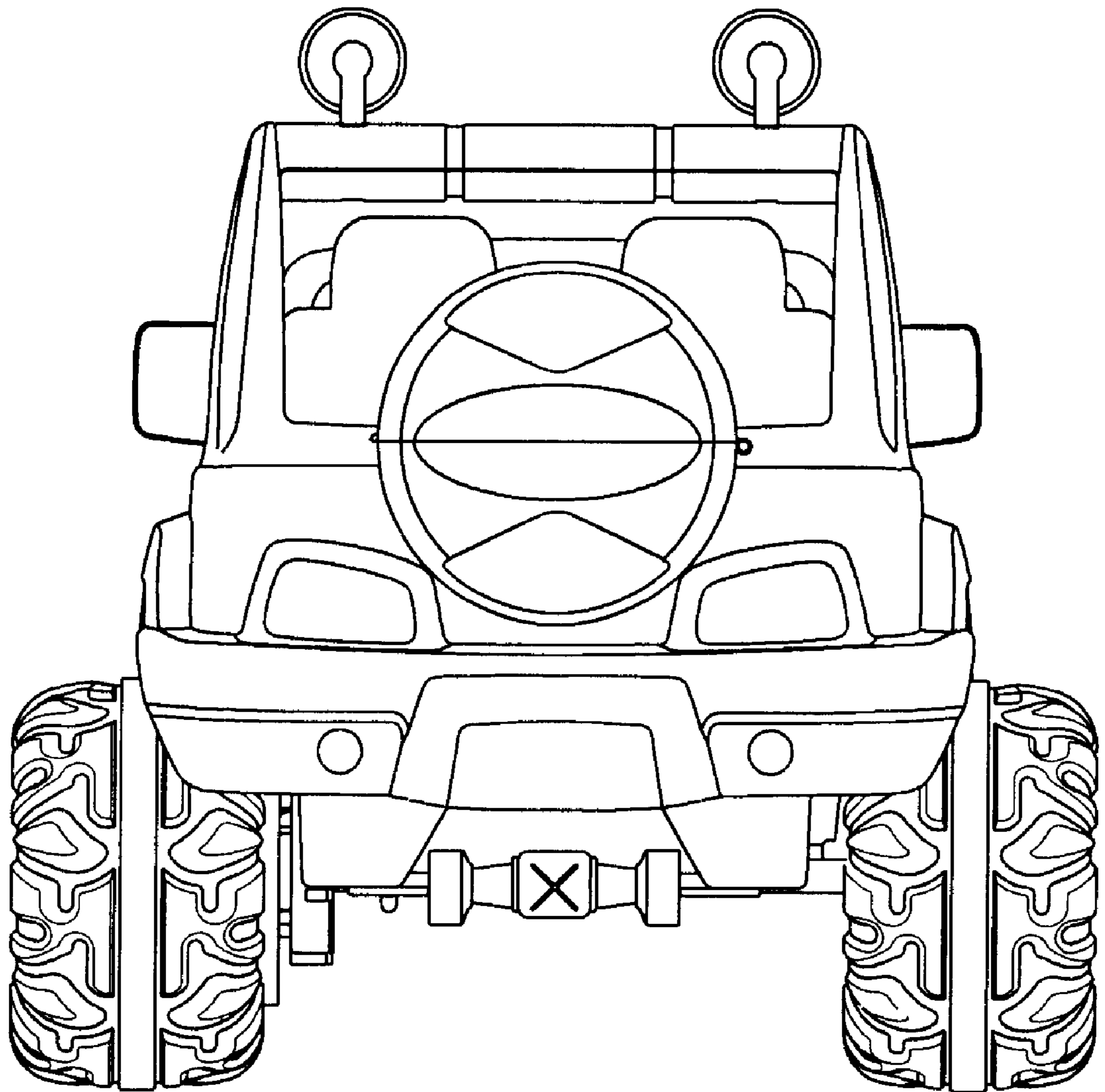


Fig. 3

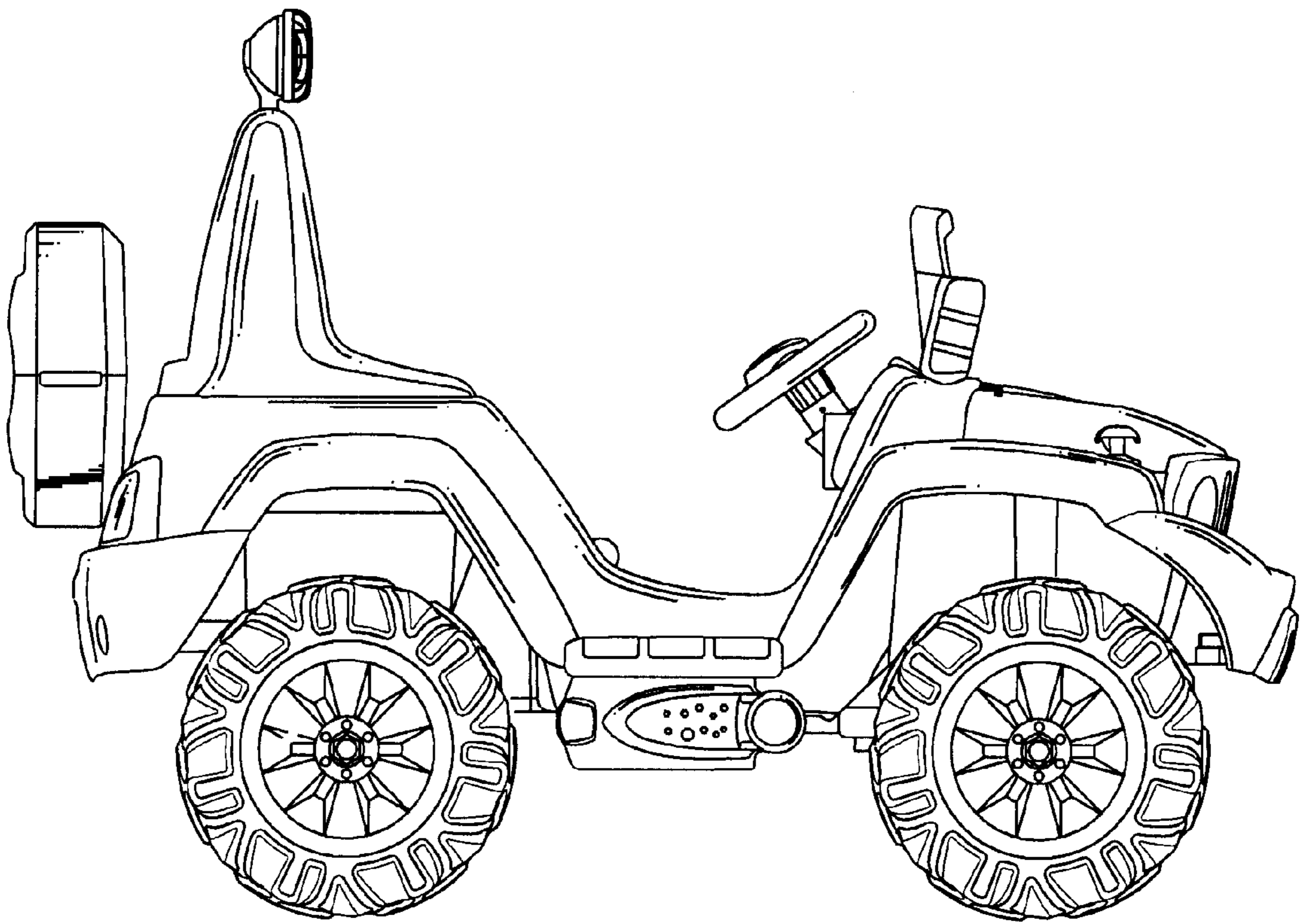


Fig. 4

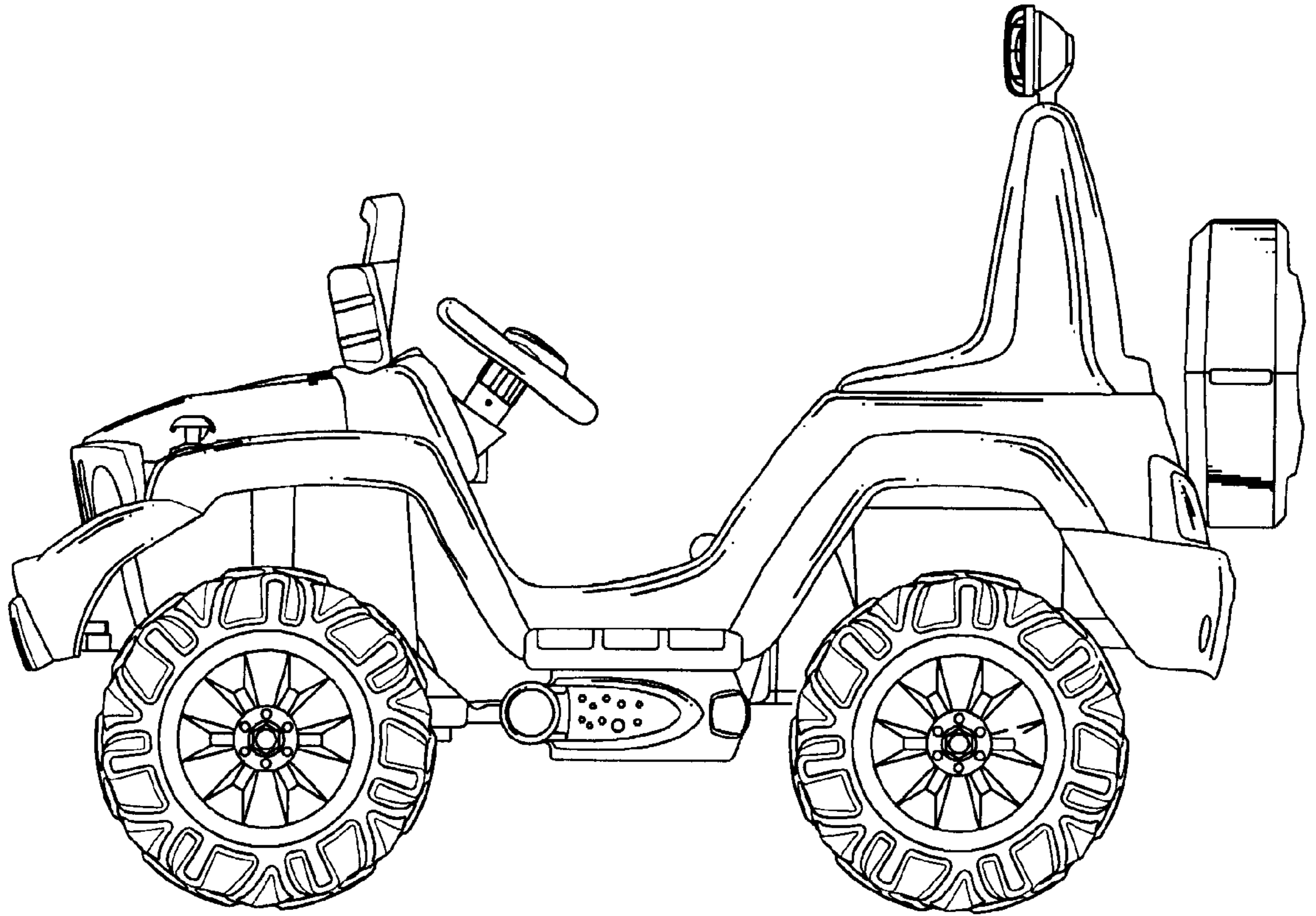


Fig. 5

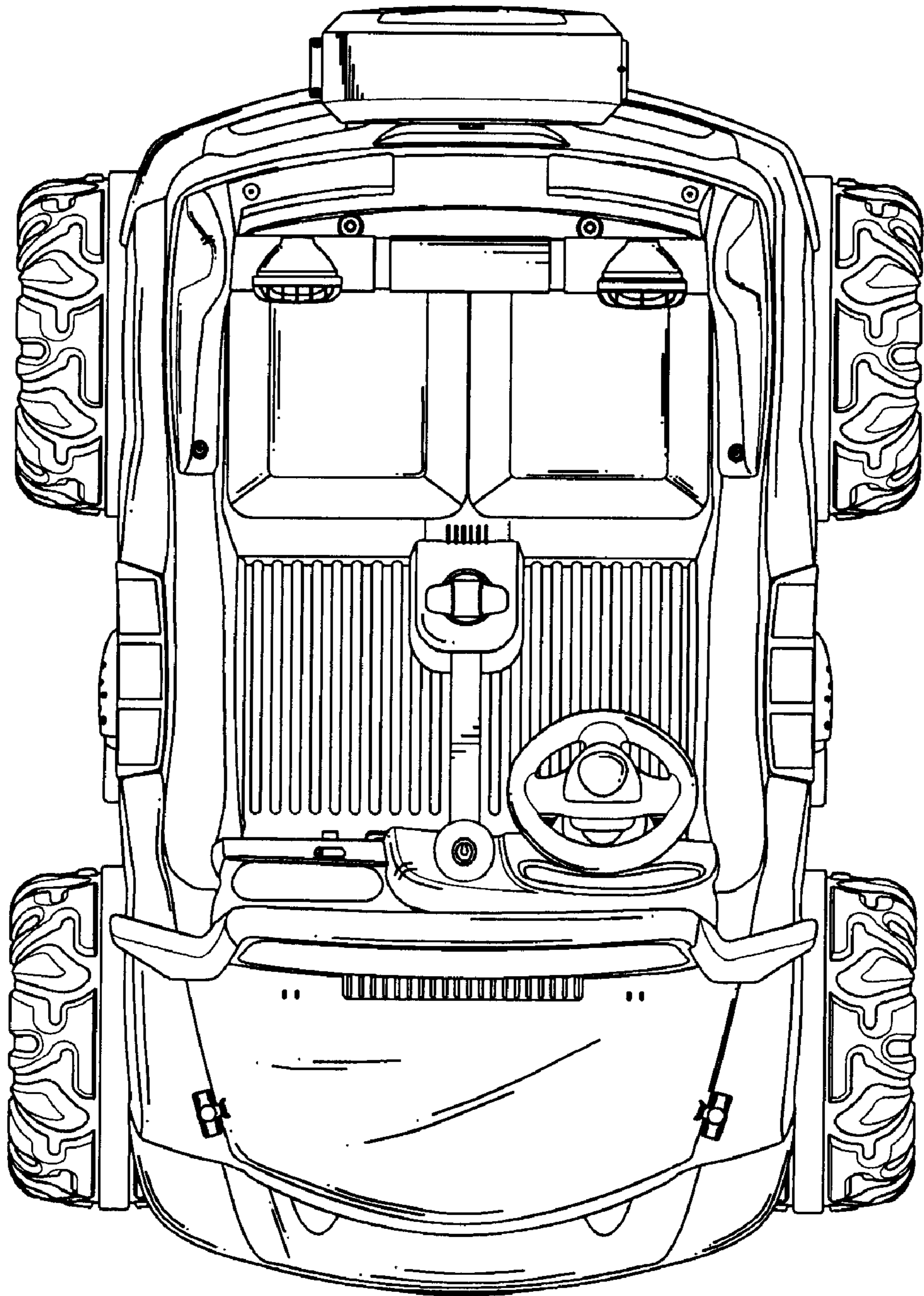


Fig. 6

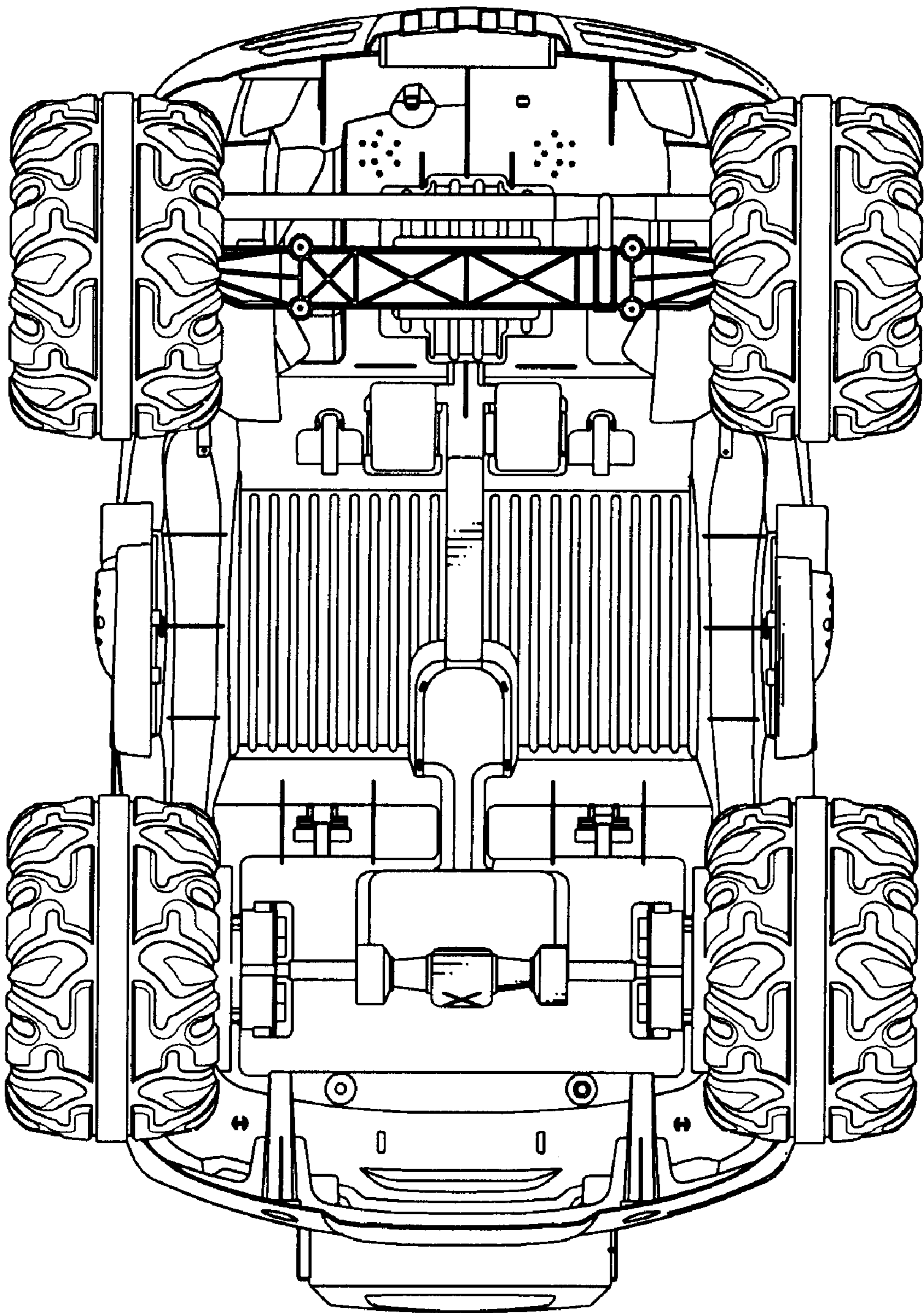


Fig. 7