



US00D464085S

(12) **United States Design Patent**
Fisher

(10) **Patent No.:** **US D464,085 S**

(45) **Date of Patent:** **** Oct. 8, 2002**

(54) **IDENTIFICATION TAG FOR TUBULAR AND ROLLED MATERIALS**

D362,464 S * 9/1995 Butts D20/28
D386,211 S * 11/1997 Taparauskas, Jr. D20/22

(76) **Inventor:** **Frederick D. Fisher**, 2475 Interstate Cir., Pensacola, FL (US) 32526

* cited by examiner

(**) **Term:** **14 Years**

Primary Examiner—Susan J. Lucas

Assistant Examiner—Jennifer Rivard

(21) **Appl. No.:** **29/089,590**

(74) *Attorney, Agent, or Firm*—George A. Bode; Bode & Associates

(22) **Filed:** **Jun. 18, 1998**

(57) **CLAIM**

(51) **LOC (7) Cl.** **19-08**

The ornamental design for an identification tag for tubular and rolled materials, as shown and described.

(52) **U.S. Cl.** **D20/22; D20/28**

(58) **Field of Search** 40/299.01, 309, 40/315, 332, 642.02, 651, 660, 669; D20/10, 22-28, 43

DESCRIPTION

(56) **References Cited**

FIG. 1 is a top, front and right side perspective view of an identification tag for tubular and rolled materials showing my new design;

FIG. 2 is a front elevational view thereof;

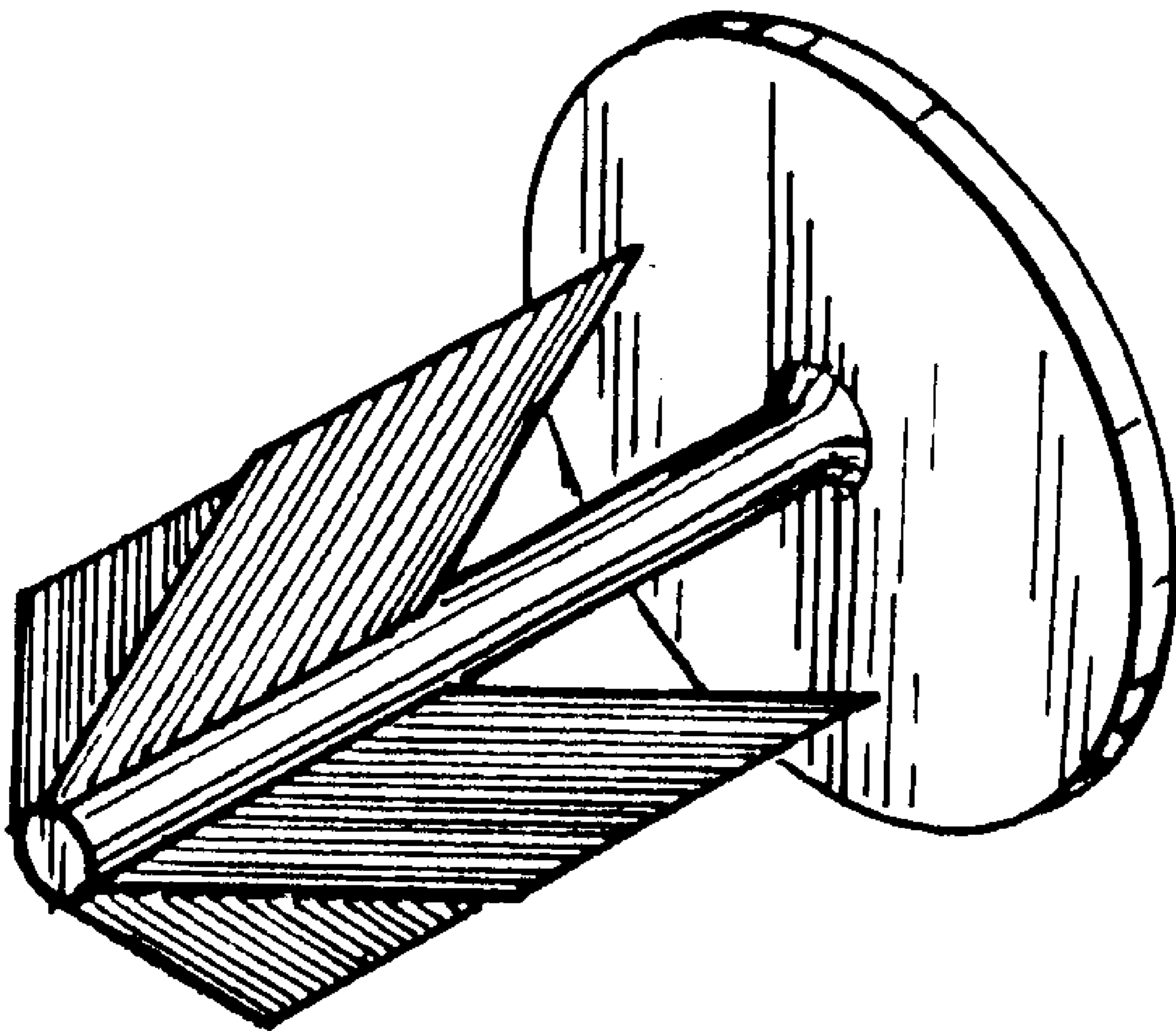
FIG. 3 is a right side elevational view thereof, the left side elevational, top plan and bottom plan views all being a mirror of that shown; and,

FIG. 4 is a rear elevational view thereof.

U.S. PATENT DOCUMENTS

279,192	A	*	6/1883	Sheperd et al.	40/309
3,718,999	A	*	3/1973	Voyce	40/309
4,471,547	A	*	9/1984	Koslow	40/309
4,745,696	A	*	5/1988	Scouten	40/309
D358,848	S	*	5/1995	Shapiro	D20/28

1 Claim, 1 Drawing Sheet



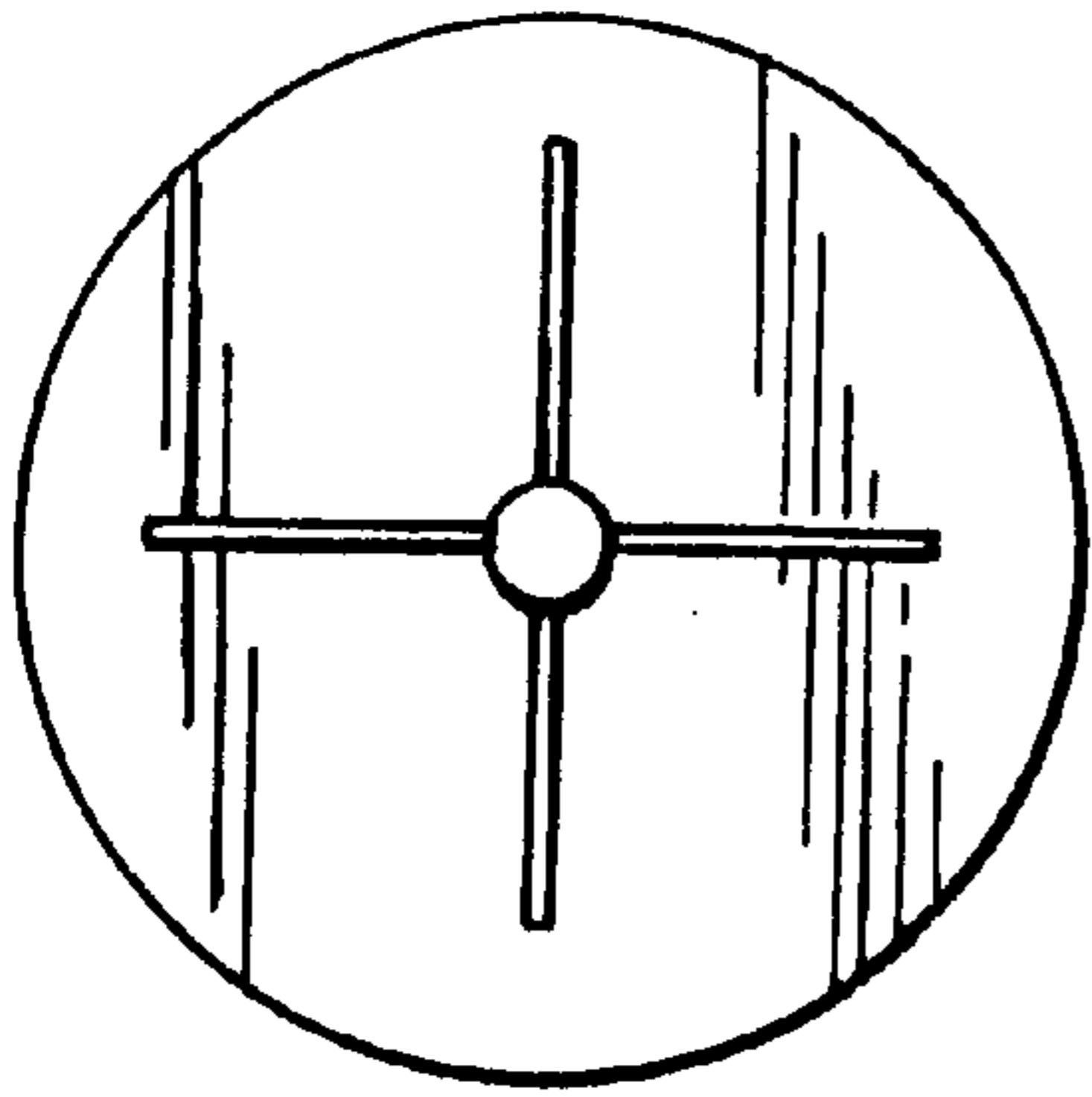


FIG. 2

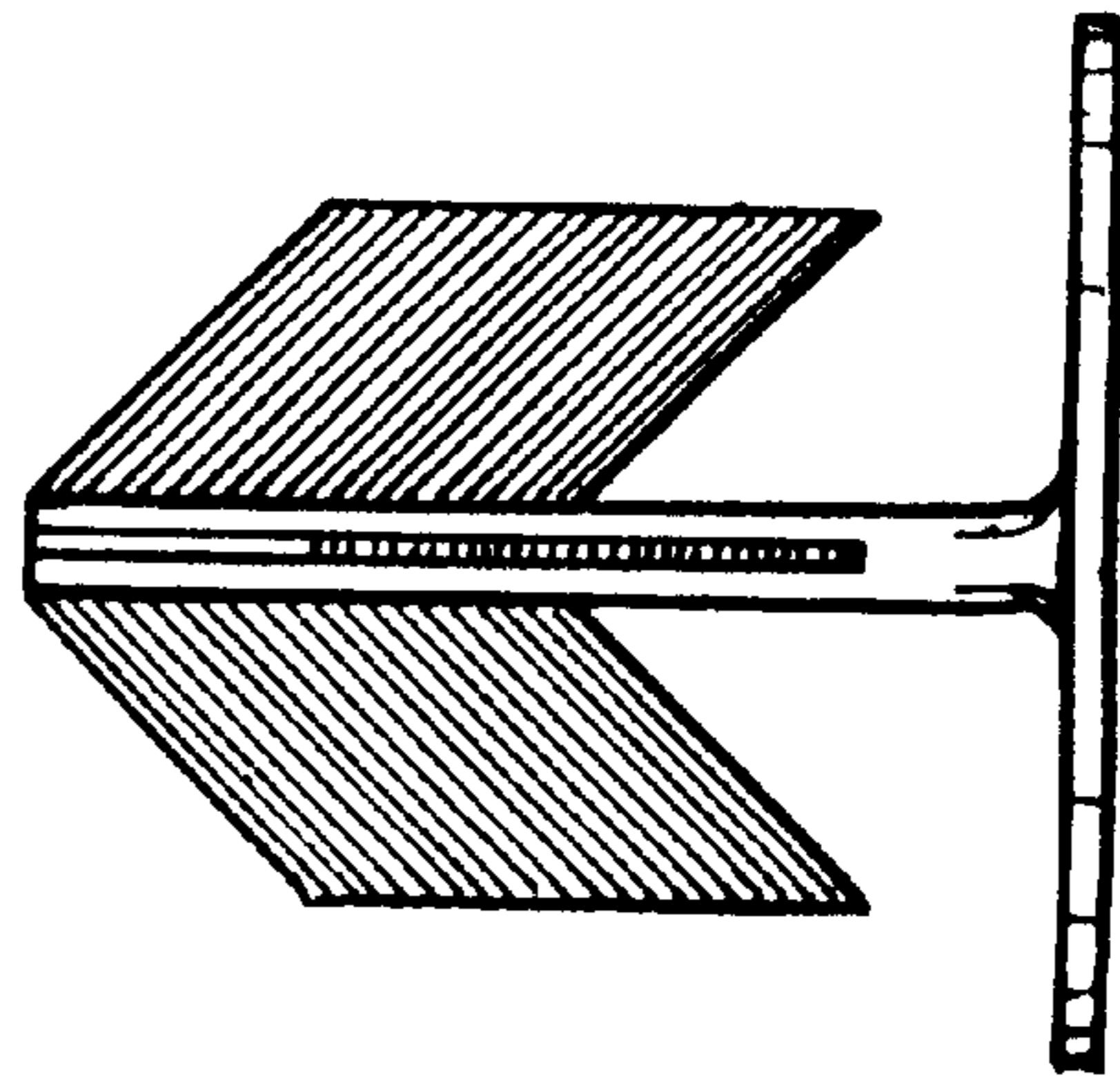


FIG. 3

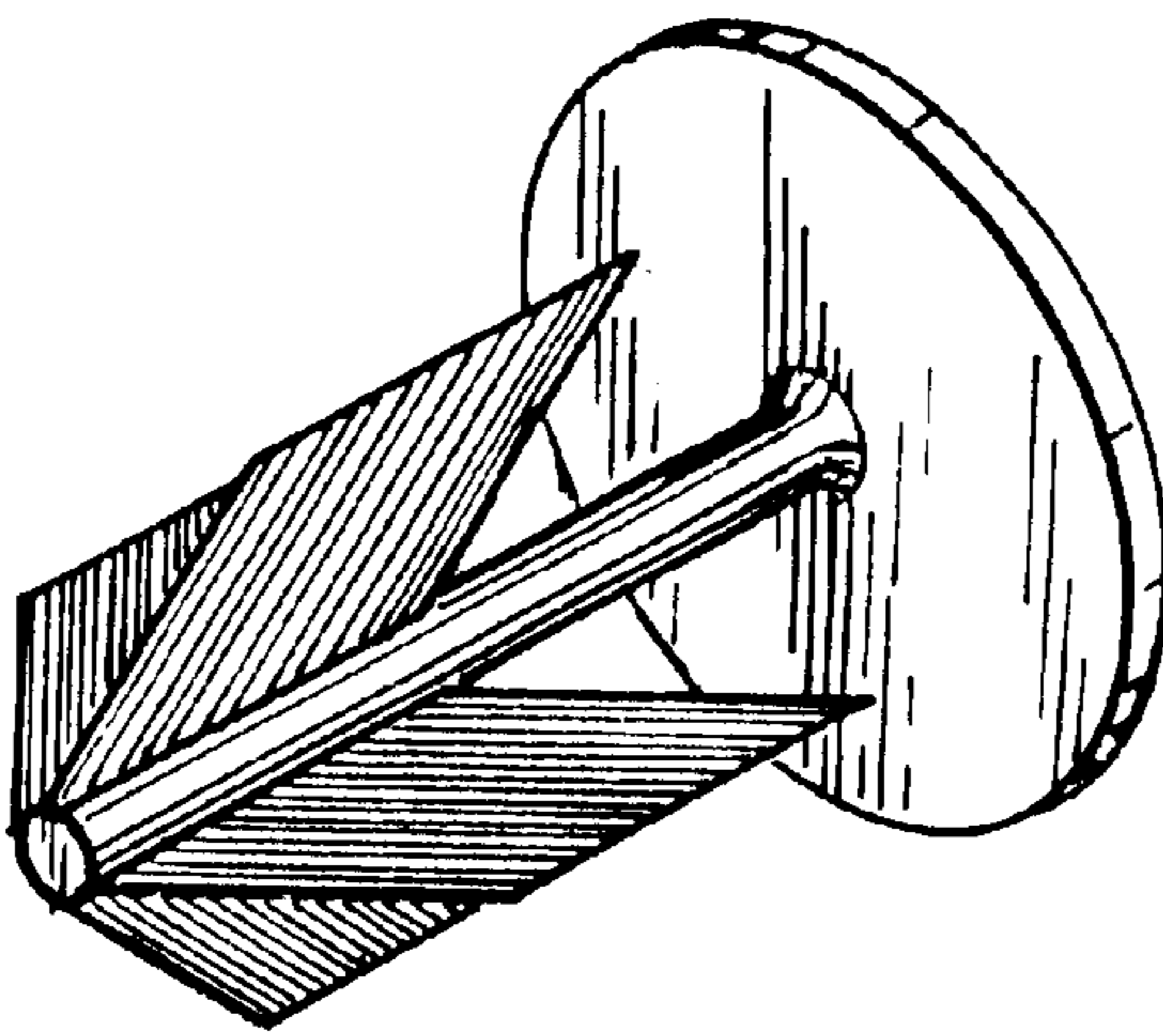


FIG. 1

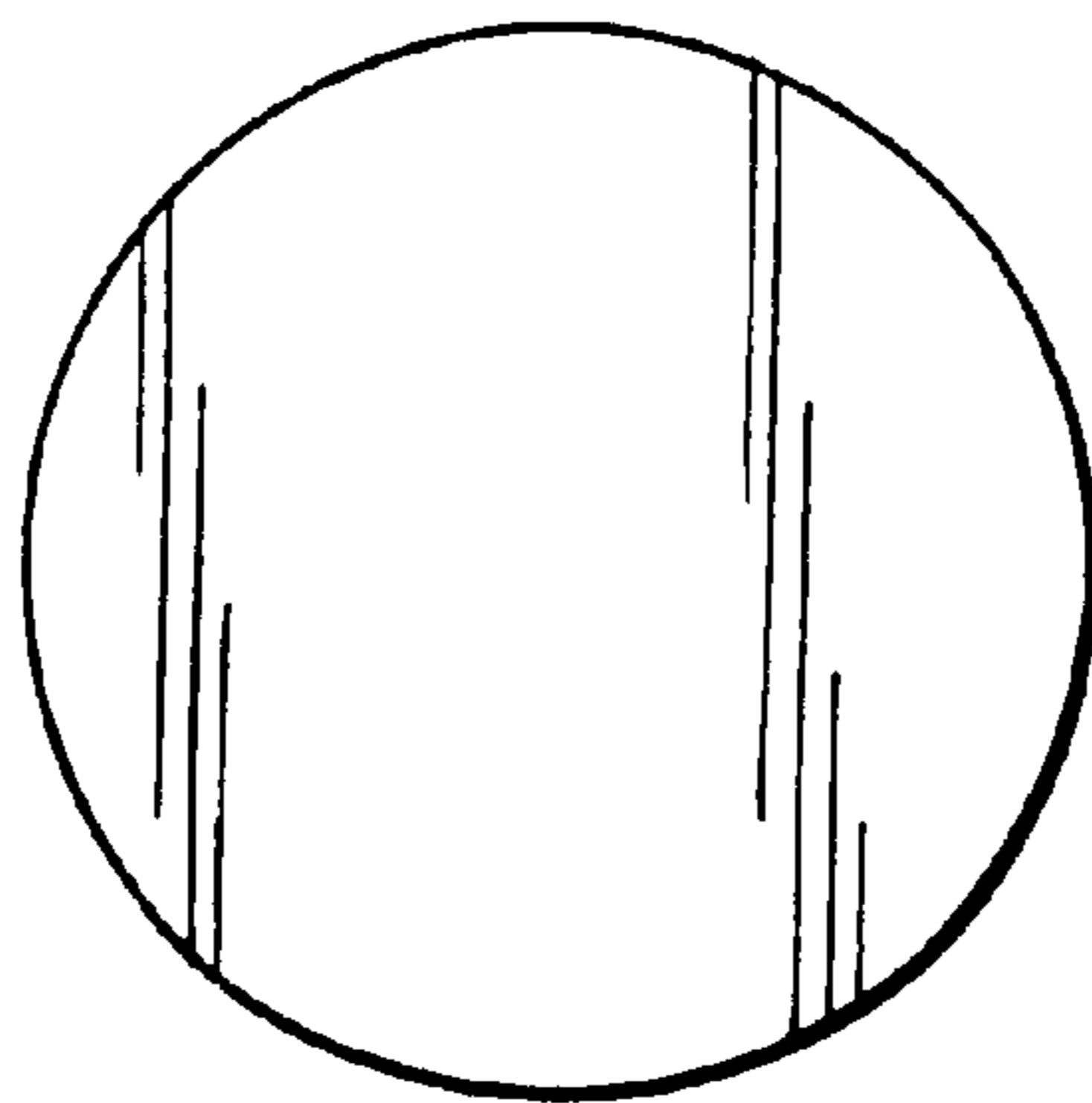


FIG. 4