



US00D464080S

(12) **United States Design Patent**
Yamano et al.

(10) **Patent No.:** **US D464,080 S**

(45) **Date of Patent:** **** Oct. 8, 2002**

(54) **PRINTER**

(75) Inventors: **Hirokazu Yamano**, Nagano-ken (JP);
Ikuo Masujima, Nagano-ken (JP);
Satoshi Fujioka, Nagano-ken (JP)

(73) Assignee: **Seiko Epson Corporation**, Tokyo (JP)

(**) Term: **14 Years**

(21) Appl. No.: **29/144,598**

(22) Filed: **Jul. 9, 2001**

(30) **Foreign Application Priority Data**

Feb. 20, 2001 (JP) 2001-003785

(51) **LOC (7) Cl.** **18-02**

(52) **U.S. Cl.** **D18/53**

(58) **Field of Search** D18/36-41, 45,
D18/50, 52, 53, 54, 56, 59, 99; 346/24,
29, 139 R, 136, 140.1, 141, 46, 49; 271/228;
358/1.3, 1.6; D10/46; 347/30, 37, 41; 400/625,
691

(56) **References Cited**

U.S. PATENT DOCUMENTS

D234,409 S * 2/1975 Schmeck D19/53

4,734,716 A * 3/1988 Silverberg et al. 346/136

4,996,651 A * 2/1991 Wells 358/1.3

D400,917 S * 11/1998 Kajikawa et al. D18/53

D408,848 S * 4/1999 Flores et al. D18/53

D443,889 S * 6/2001 Yamano et al. D18/50

D450,755 S * 11/2001 Gimenez et al. D18/53

OTHER PUBLICATIONS

Epson Maxart μ —Crysta Mac—7000, Domestic Magazine,
Game Communication (No. 1251) issued Sep., 2000, p. 86.

* cited by examiner

Primary Examiner—Martie K. Holtje

(74) *Attorney, Agent, or Firm*—Sughrue Mion, PLLC

(57) **CLAIM**

The ornamental design for a printer, as shown.

DESCRIPTION

FIG. 1 is a perspective view of the front, top and right side
of a printer showing our new design;

FIG. 2 is a front elevational view thereof;

FIG. 3 is a top plan view thereof;

FIG. 4 is a left side elevational view thereof;

FIG. 5 is a right side elevational view thereof;

FIG. 6 is a rear elevational view thereof; and,

FIG. 7 is a bottom plan view thereof.

1 Claim, 3 Drawing Sheets

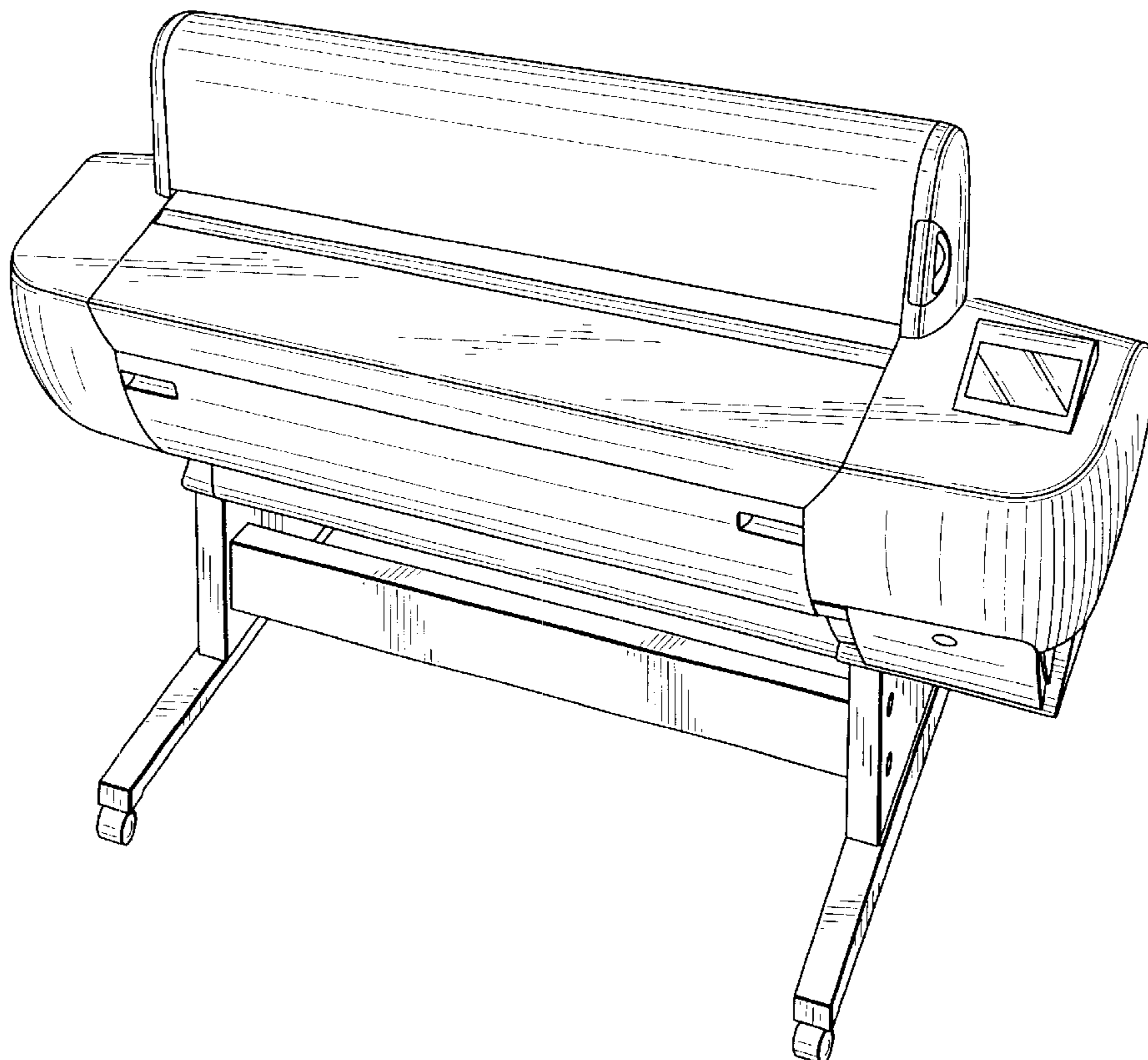


FIG. 1

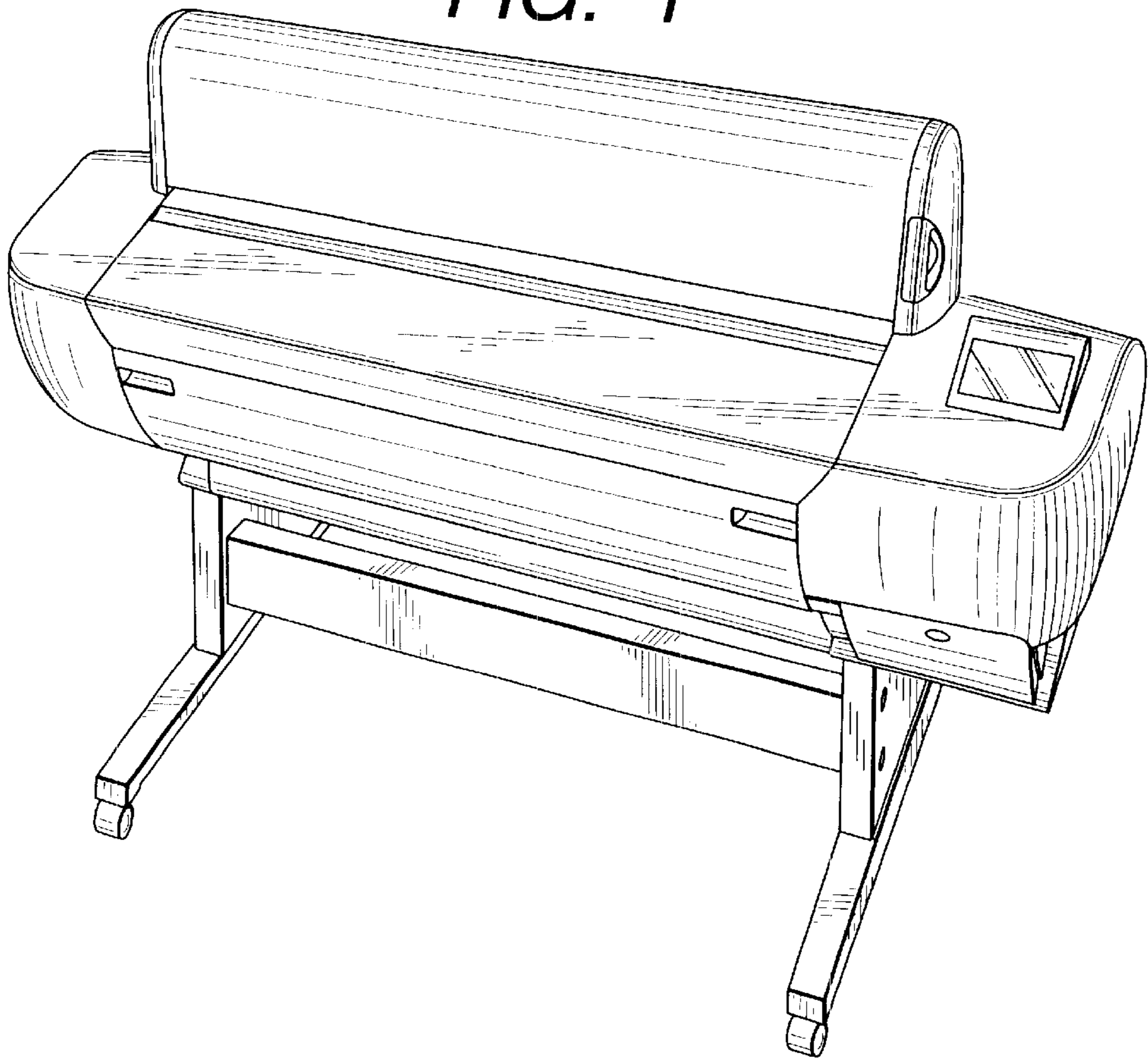


FIG. 2

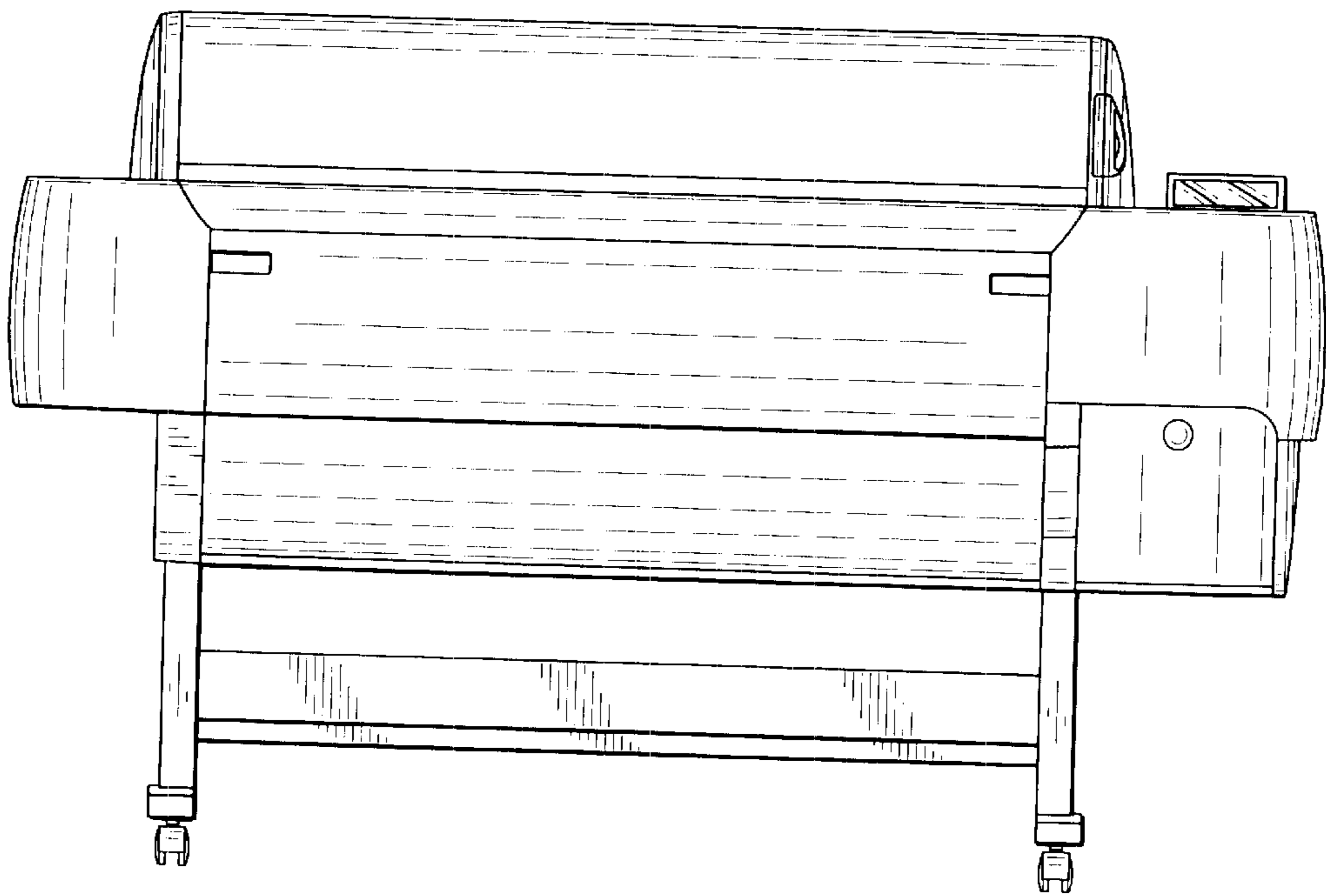


FIG. 3

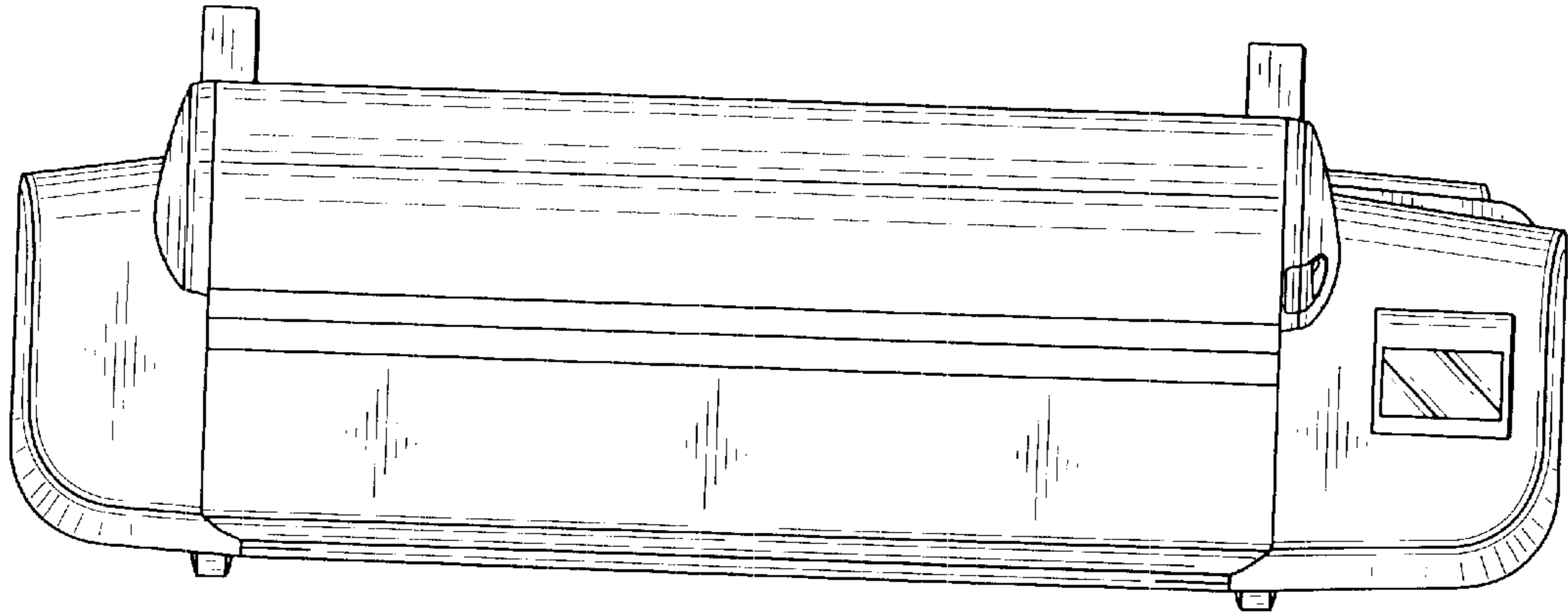


FIG. 4

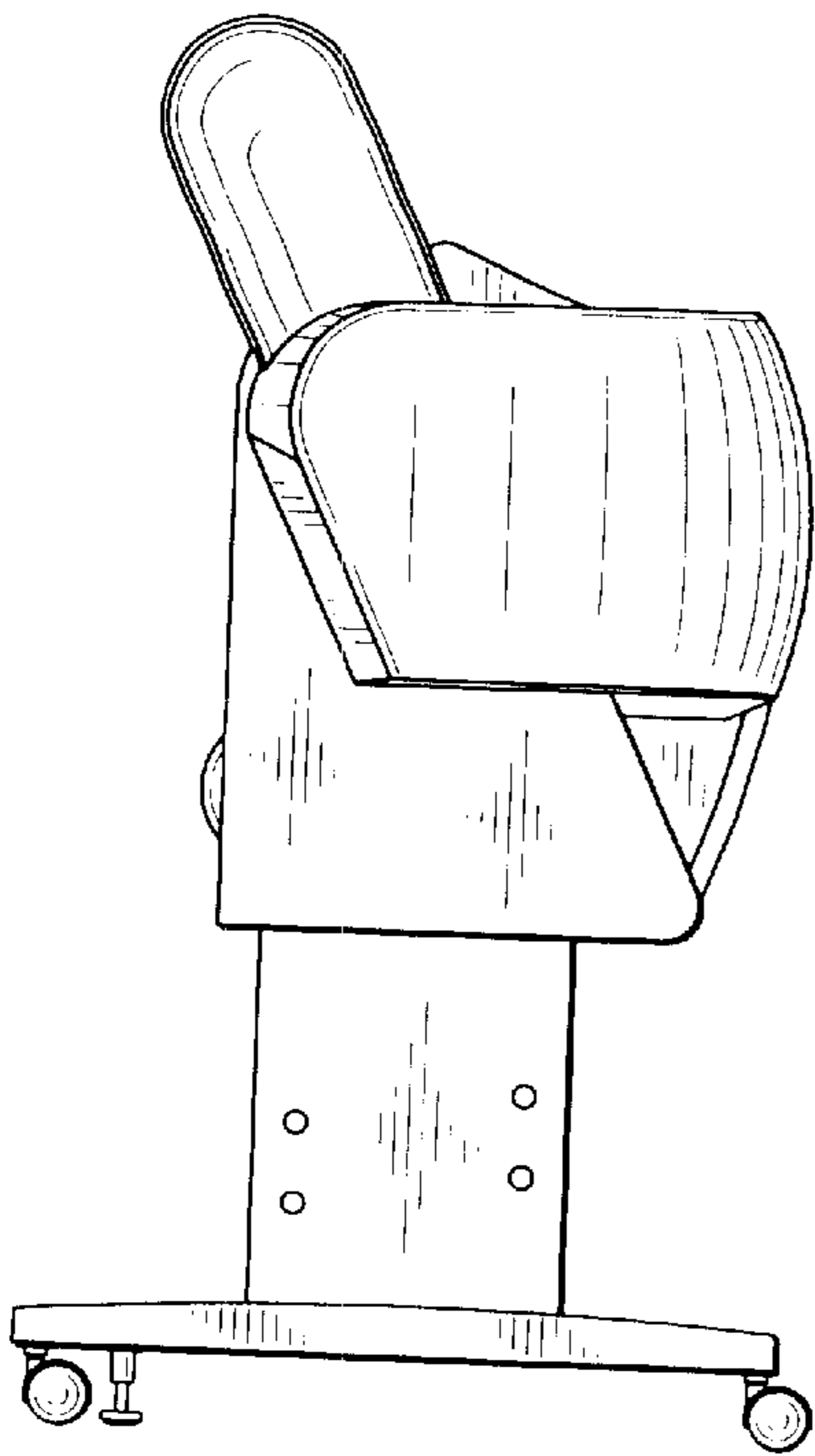


FIG. 5

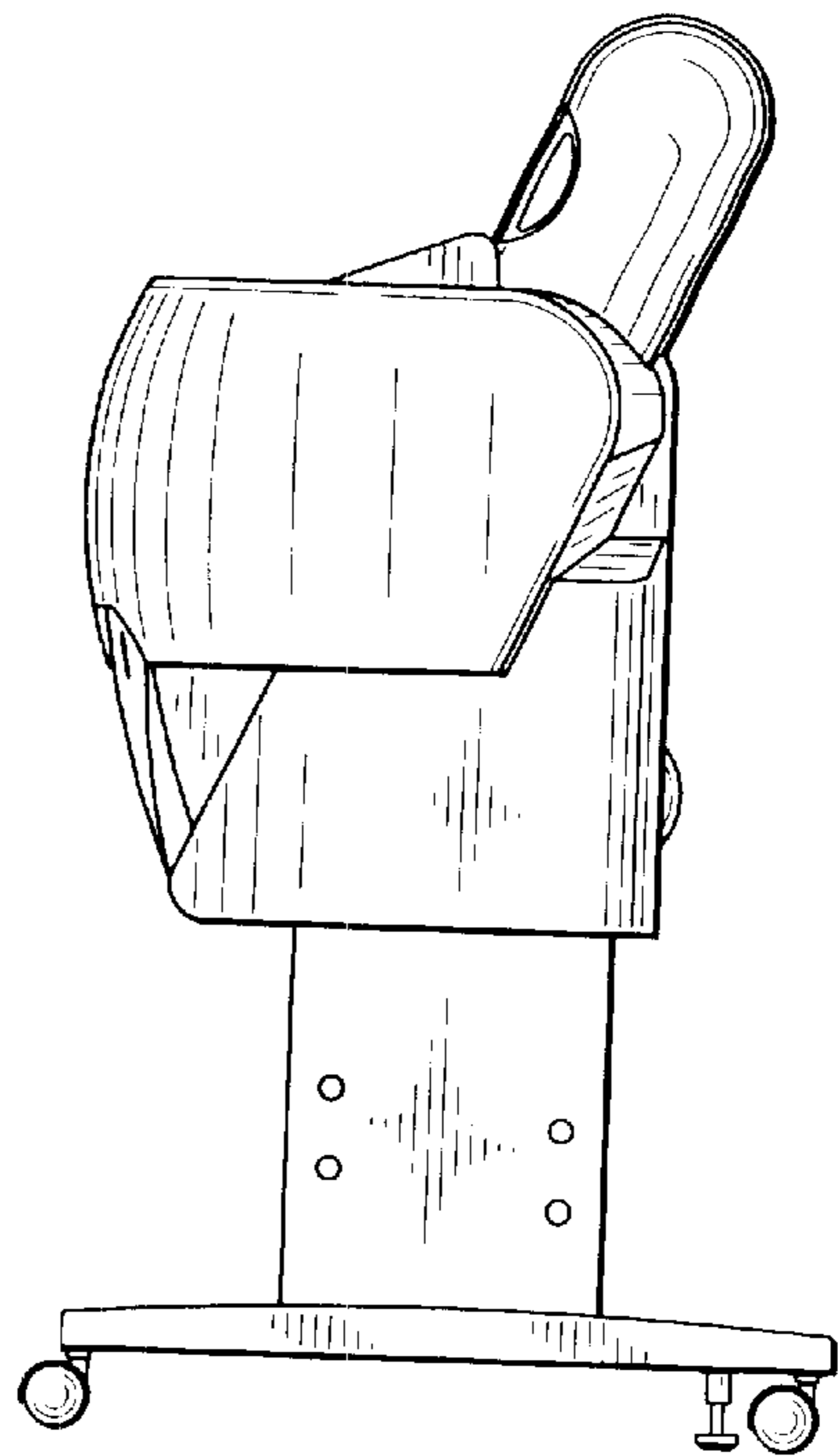


FIG. 6

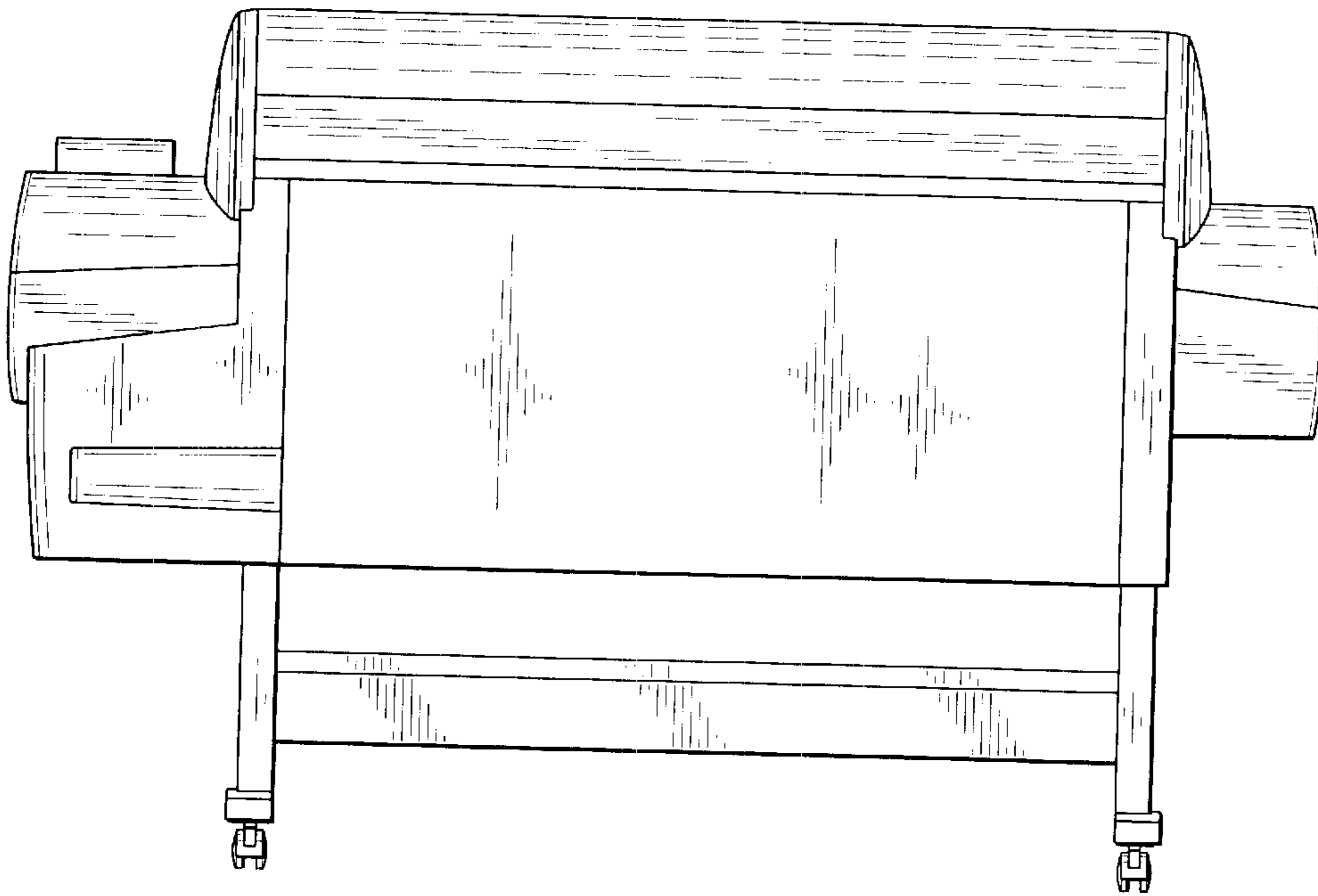


FIG. 7

