



US00D464078S

(12) **United States Design Patent**
Lau

(10) **Patent No.:** **US D464,078 S**

(45) **Date of Patent:** **** Oct. 8, 2002**

(54) **DRUM**

(75) **Inventor:** **Yuk Fai Lau, Kowloon (HK)**

(73) **Assignee:** **Tai Way (Shing Kee) Toys Co. Ltd.,
Kowloon (HK)**

(**) **Term:** **14 Years**

(21) **Appl. No.:** **29/147,877**

(22) **Filed:** **Sep. 10, 2001**

(51) **LOC (7) Cl.** **17-04**

(52) **U.S. Cl.** **D17/22**

(58) **Field of Search** **D17/22, 99; D21/405;
84/413, 415, 411 R, DIG. 12, 723-733**

(56) **References Cited**

U.S. PATENT DOCUMENTS

373,873 A * 11/1887 Wurlitzer 84/421

3,113,481 A * 12/1963 Thompson 84/415

4,850,258 A * 7/1989 Hoshino et al. 84/413

D322,622 S * 12/1991 Gabriel et al. D17/22

D340,254 S * 10/1993 Yamashita D17/22

* cited by examiner

Primary Examiner—Adir Aronovich

(74) *Attorney, Agent, or Firm*—Rabin & Berdo, P.C.

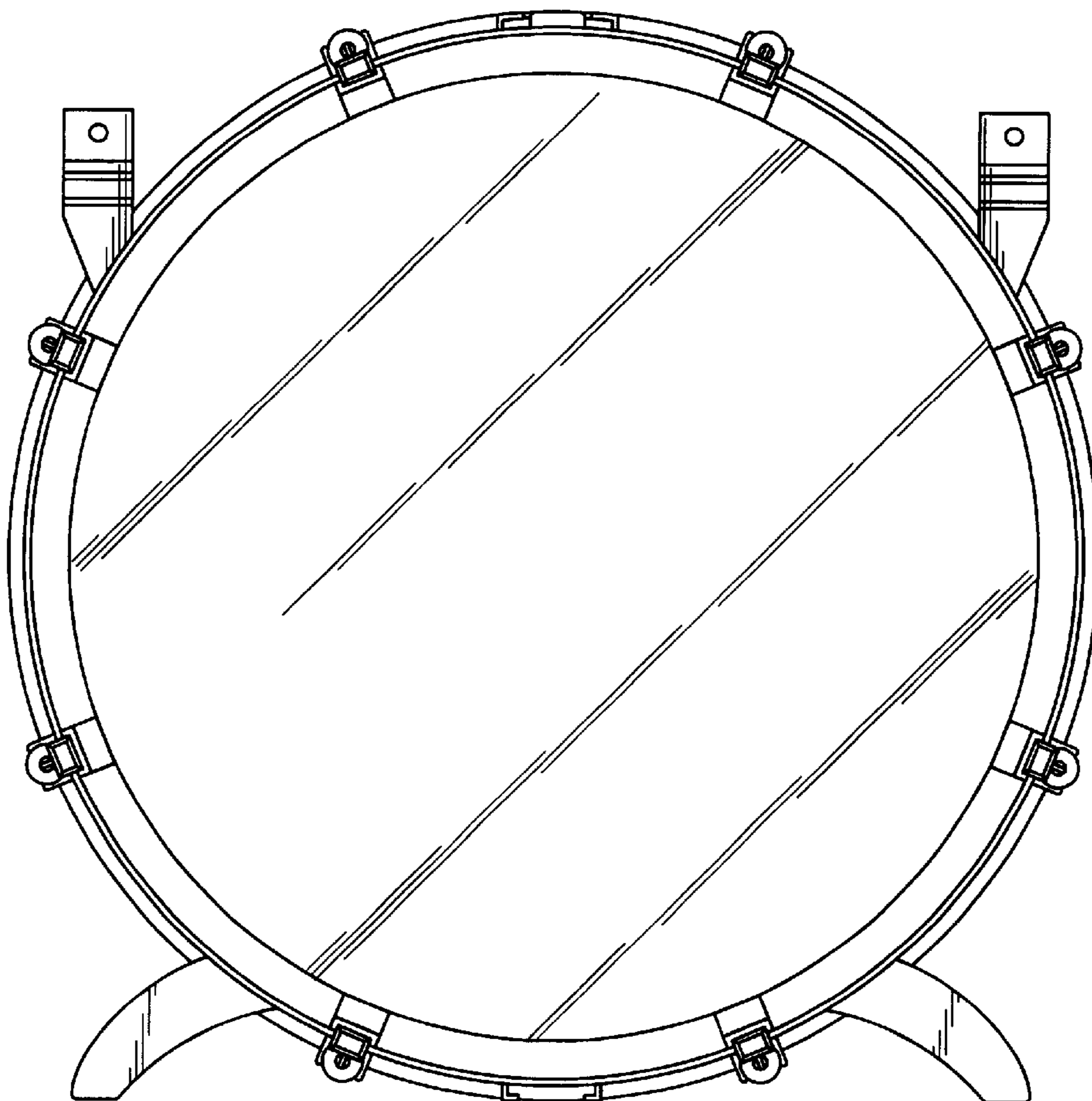
(57) **CLAIM**

The ornamental design for a drum, as shown and described.

DESCRIPTION

FIG. 1 is a front view thereof;
FIG. 2 is a rear view thereof;
FIG. 3 is a left side view thereof;
FIG. 4 is a right view thereof;
FIG. 5 is a top view thereof; and,
FIG. 6 is a bottom view thereof.

1 Claim, 5 Drawing Sheets



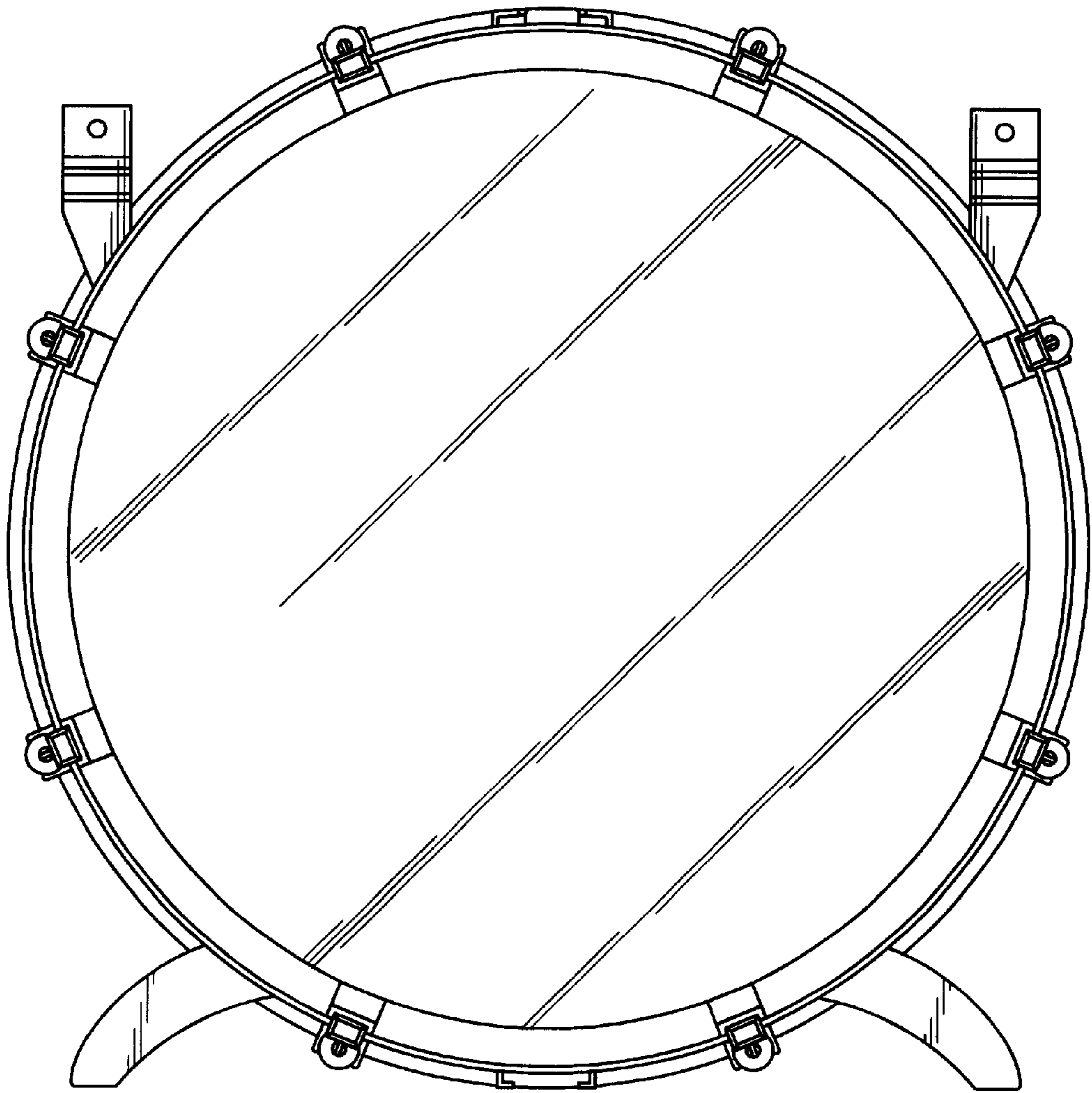


FIG. 1

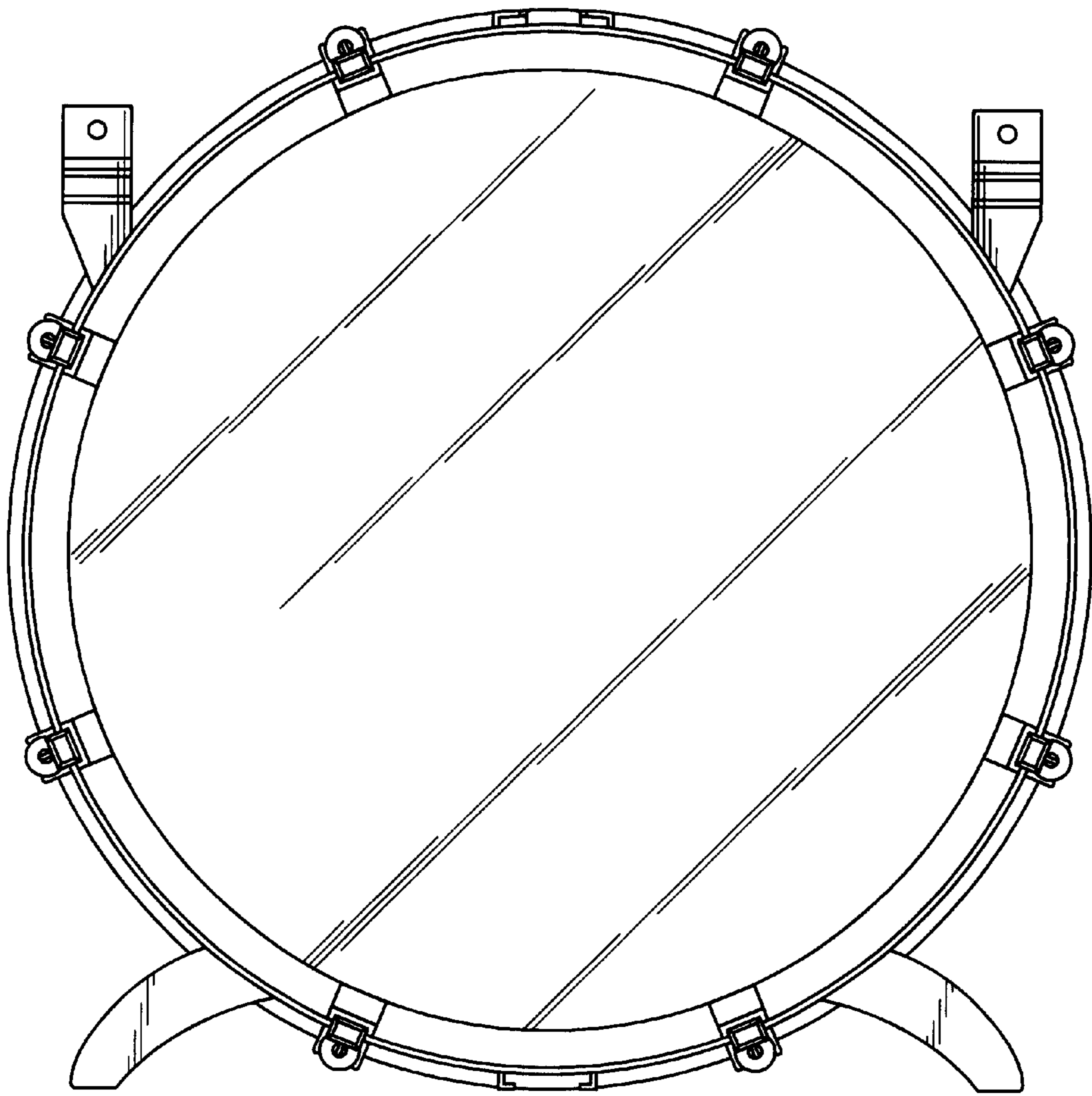


FIG. 2

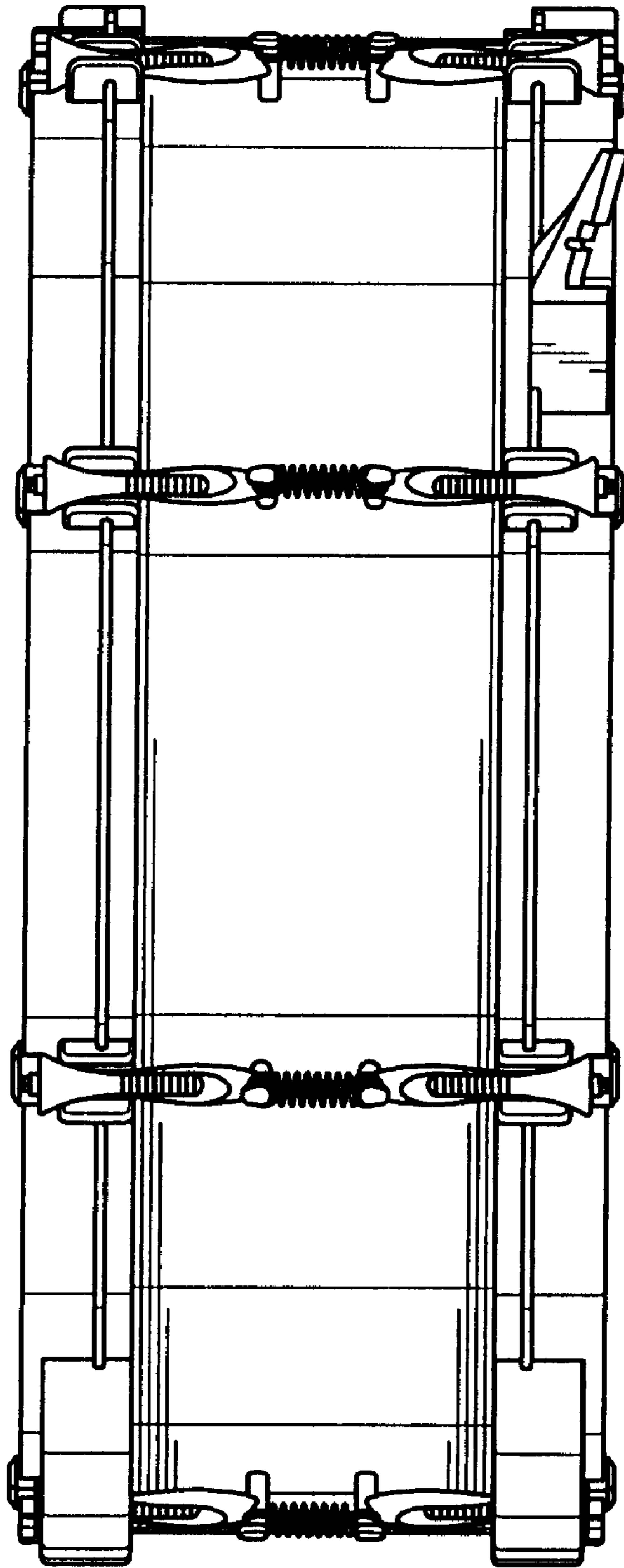


FIG. 3

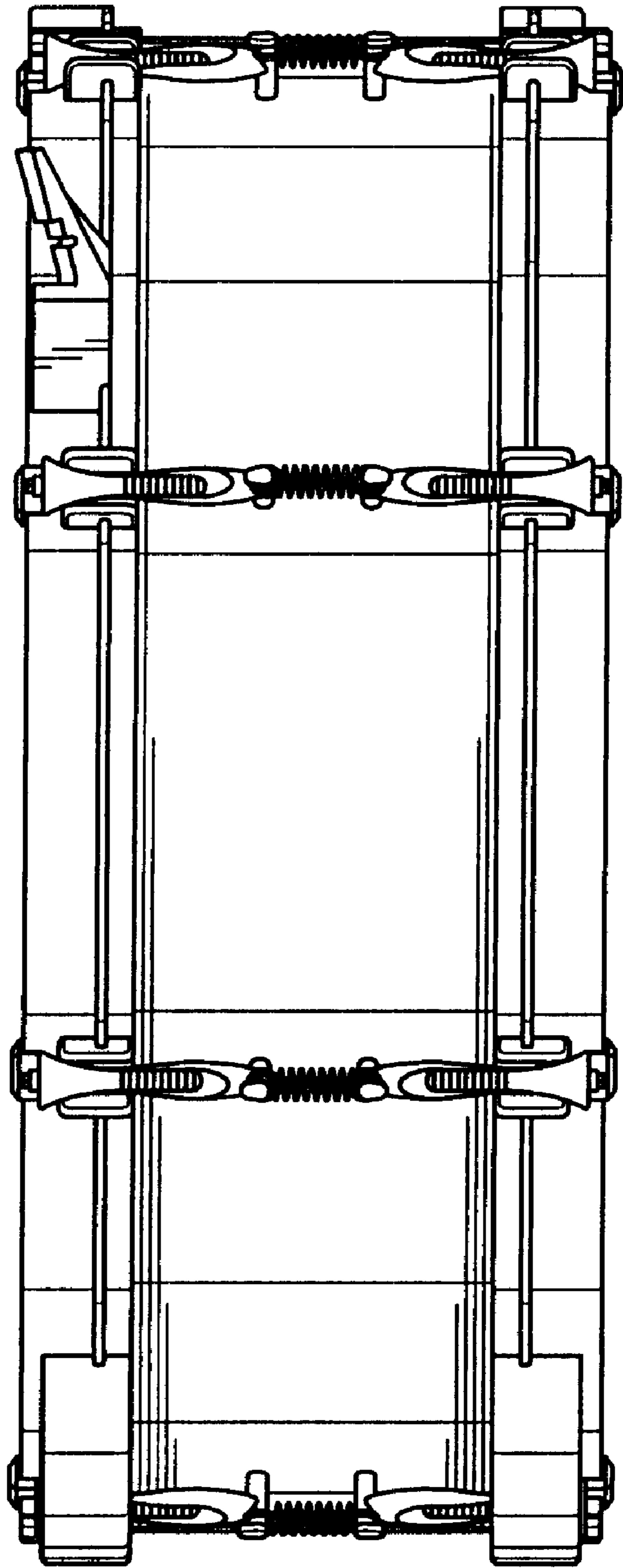


FIG. 4

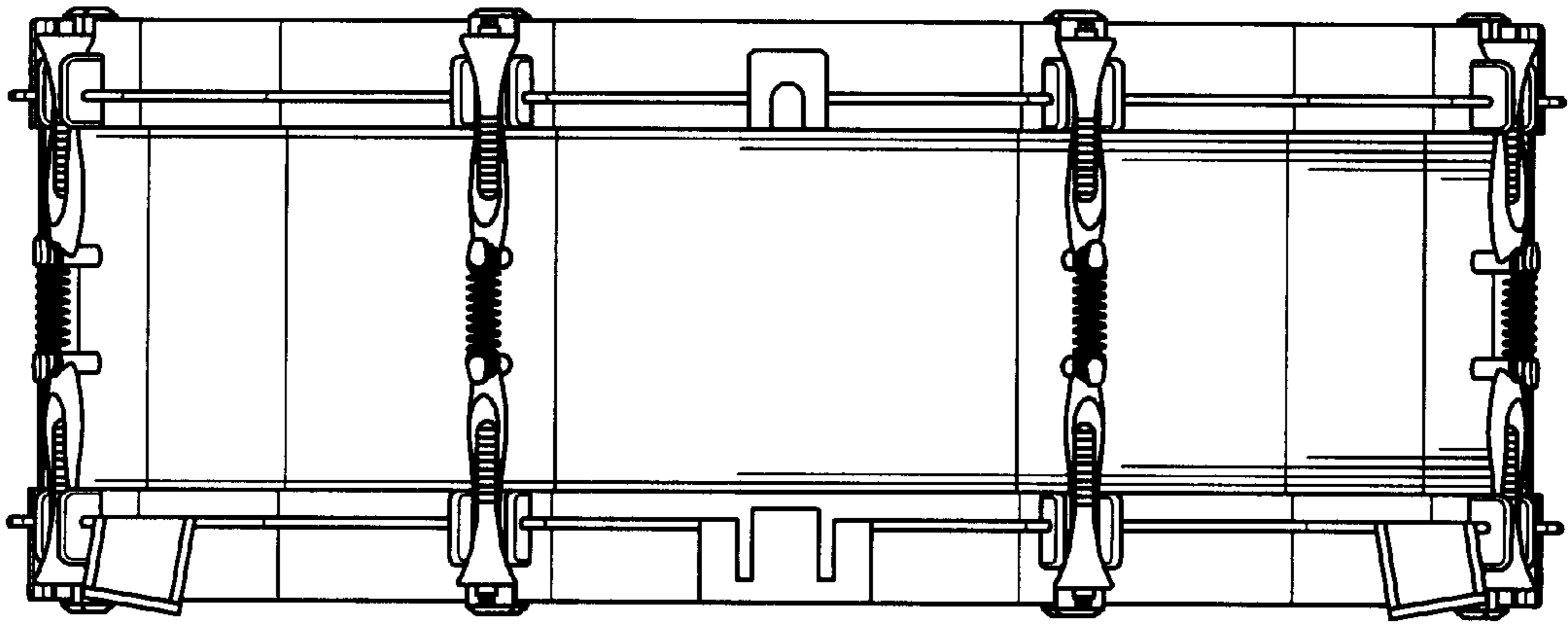


FIG. 5

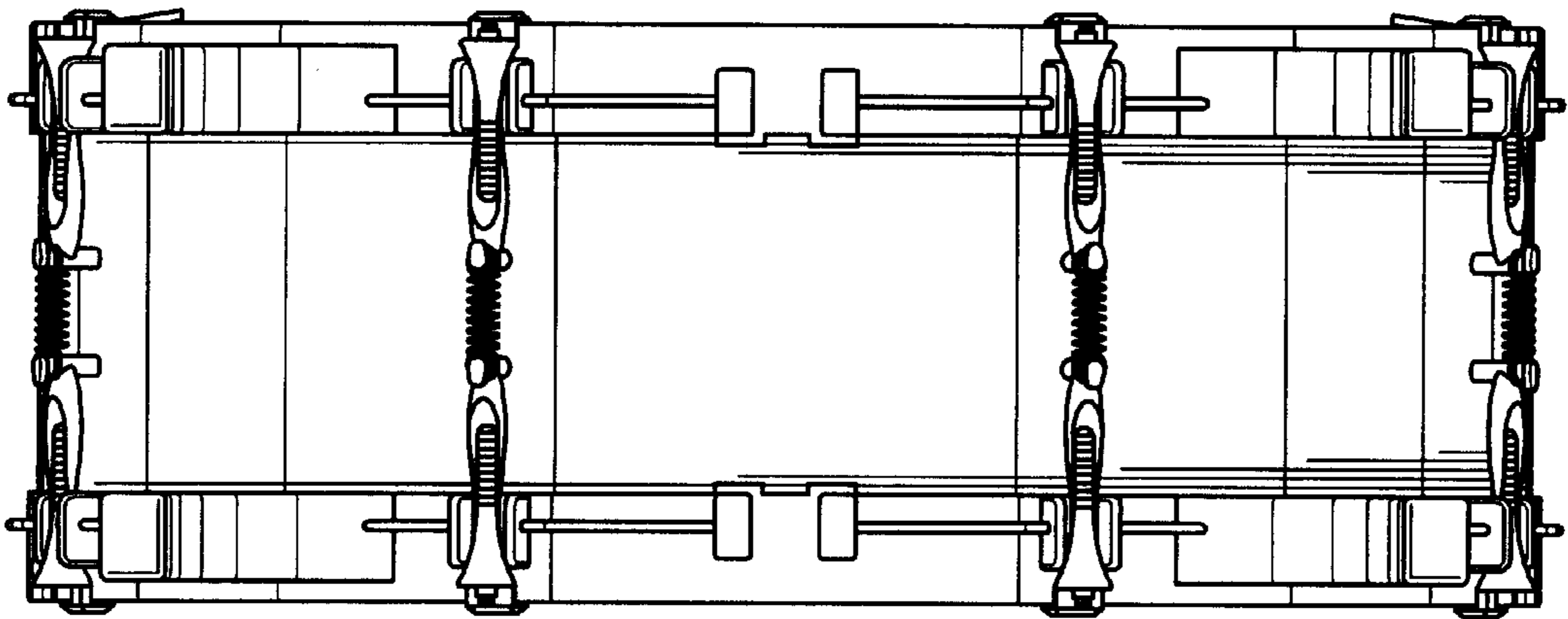


FIG. 6