

US00D464073S

(12) **United States Design Patent**  
**Nakamura**

(10) **Patent No.:** **US D464,073 S**

(45) **Date of Patent:** **\*\* Oct. 8, 2002**

(54) **PROJECTOR**

(75) Inventor: **Toshihiro Nakamura**, Tokyo (JP)

(73) Assignee: **Sony Corporation**, Tokyo (JP)

(\*\*) Term: **14 Years**

(21) Appl. No.: **29/149,321**

(22) Filed: **Oct. 10, 2001**

(51) **LOC (7) Cl.** ..... **16-02**

(52) **U.S. Cl.** ..... **D16/230**

(58) **Field of Search** ..... D16/200, 205,  
D16/221, 225, 230, 231, 234; D21/514;  
353/115, 61, 119, 122

(56) **References Cited**

**U.S. PATENT DOCUMENTS**

3,019,701 A	*	2/1962	Brueckner	.....	353/61
D331,768 S	*	12/1992	Saeki et al.	.....	D16/225
D409,644 S	*	5/1999	Uehara	.....	D16/234
D433,049 S		10/2000	Murakami	.....	D16/231
D437,607 S	*	2/2001	Takahashi	.....	D16/230
D450,077 S	*	11/2001	Isono	.....	D16/230
D454,361 S	*	3/2002	Saeki et al.	.....	D16/231

**OTHER PUBLICATIONS**

Catalog "Sony Projectors for Home Entertainment", pp. 4 & 10, Sony Corporation (Oct. 2000).

\* cited by examiner

*Primary Examiner*—Adir Aronovich

(74) *Attorney, Agent, or Firm*—Rader, Fishman & Grauer, PLLC

(57) **CLAIM**

The ornamental design for a projector, as shown and described.

**DESCRIPTION**

FIG. 1 is a perspective view of a projector showing my new design;

FIG. 2 is a front elevational view thereof;

FIG. 3 is a rear elevational view thereof;

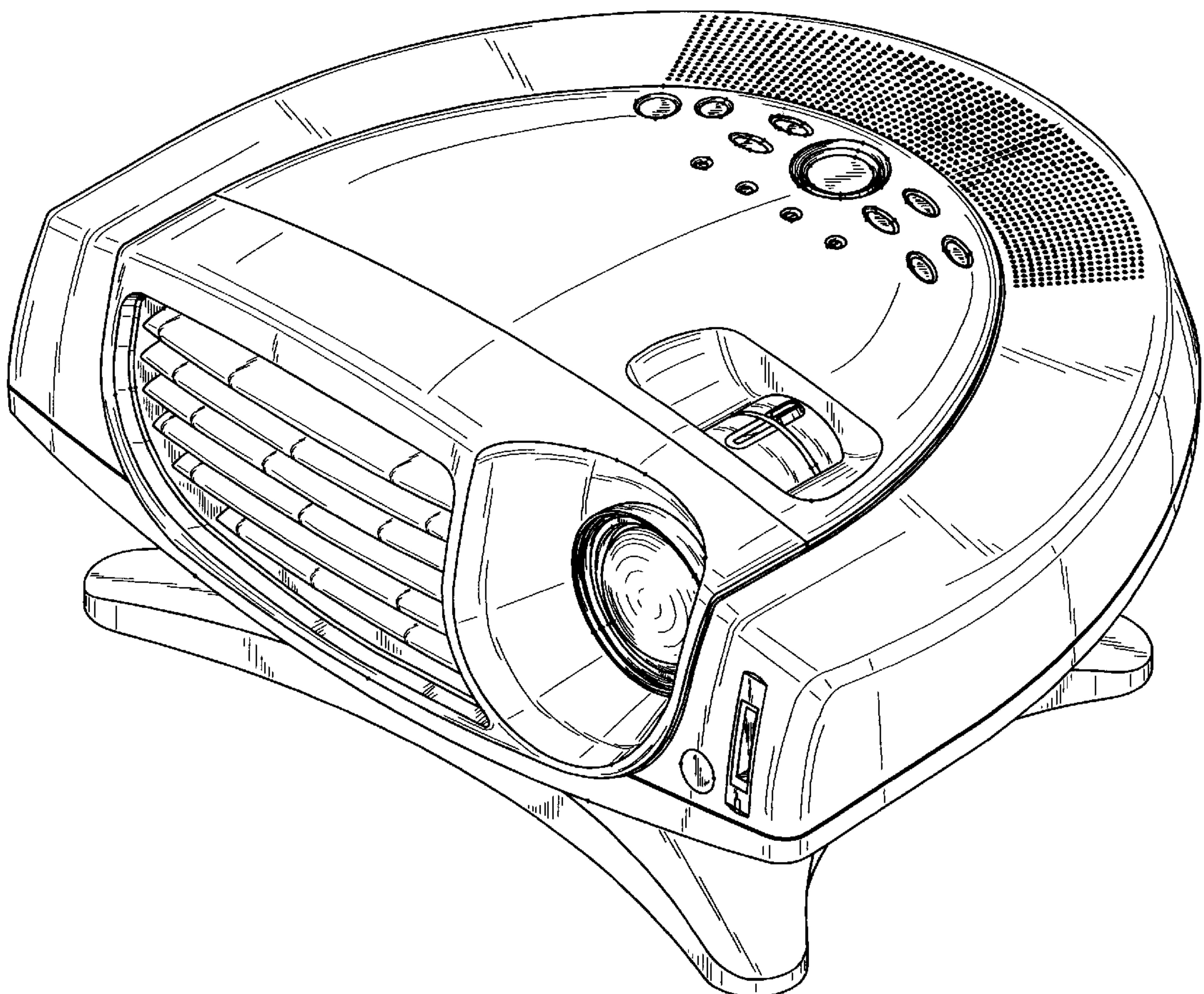
FIG. 4 is a left side elevational view thereof;

FIG. 5 is a right side elevational view thereof;

FIG. 6 is a top plan view thereof; and,

FIG. 7 is a bottom plan view thereof.

**1 Claim, 5 Drawing Sheets**



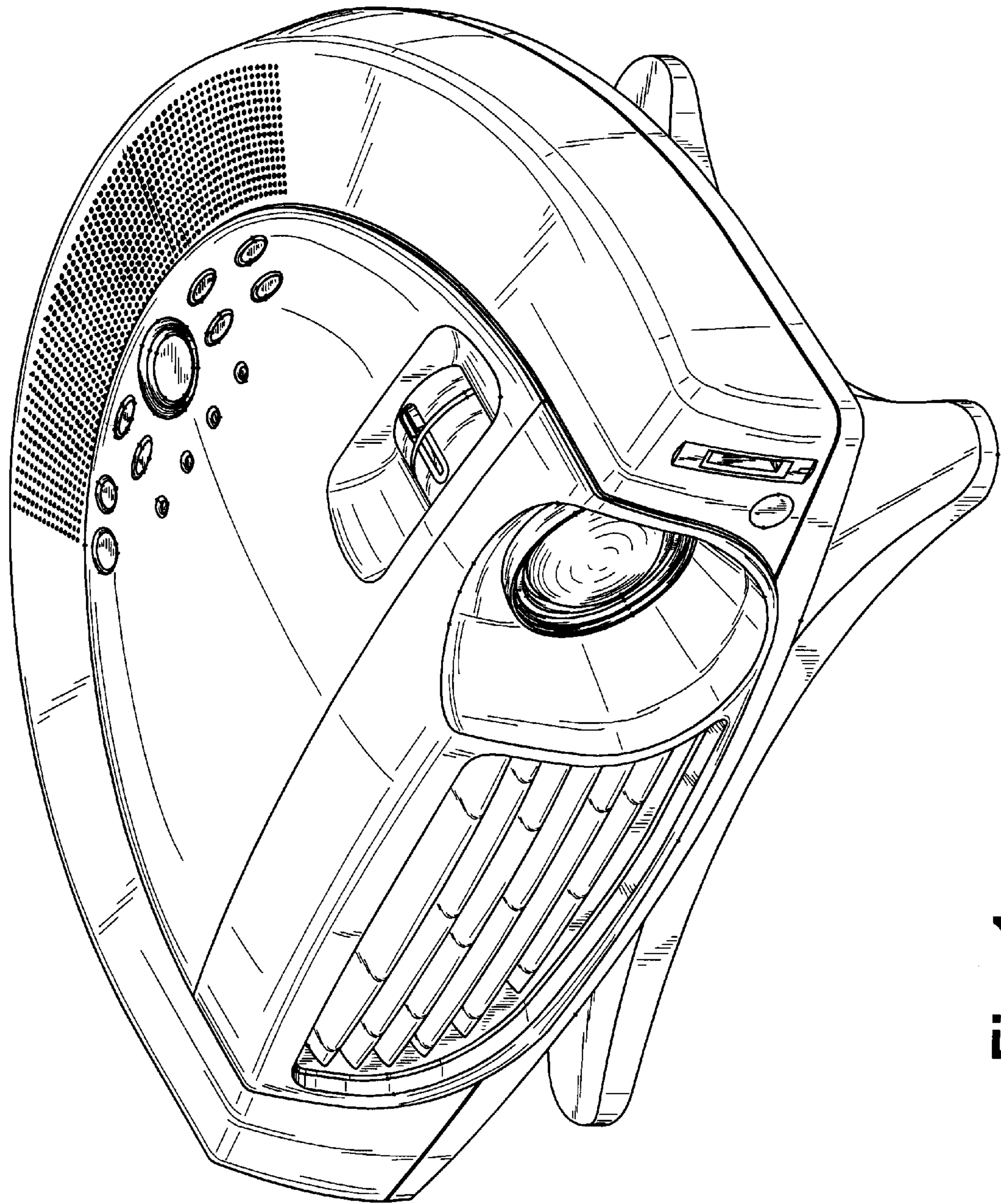
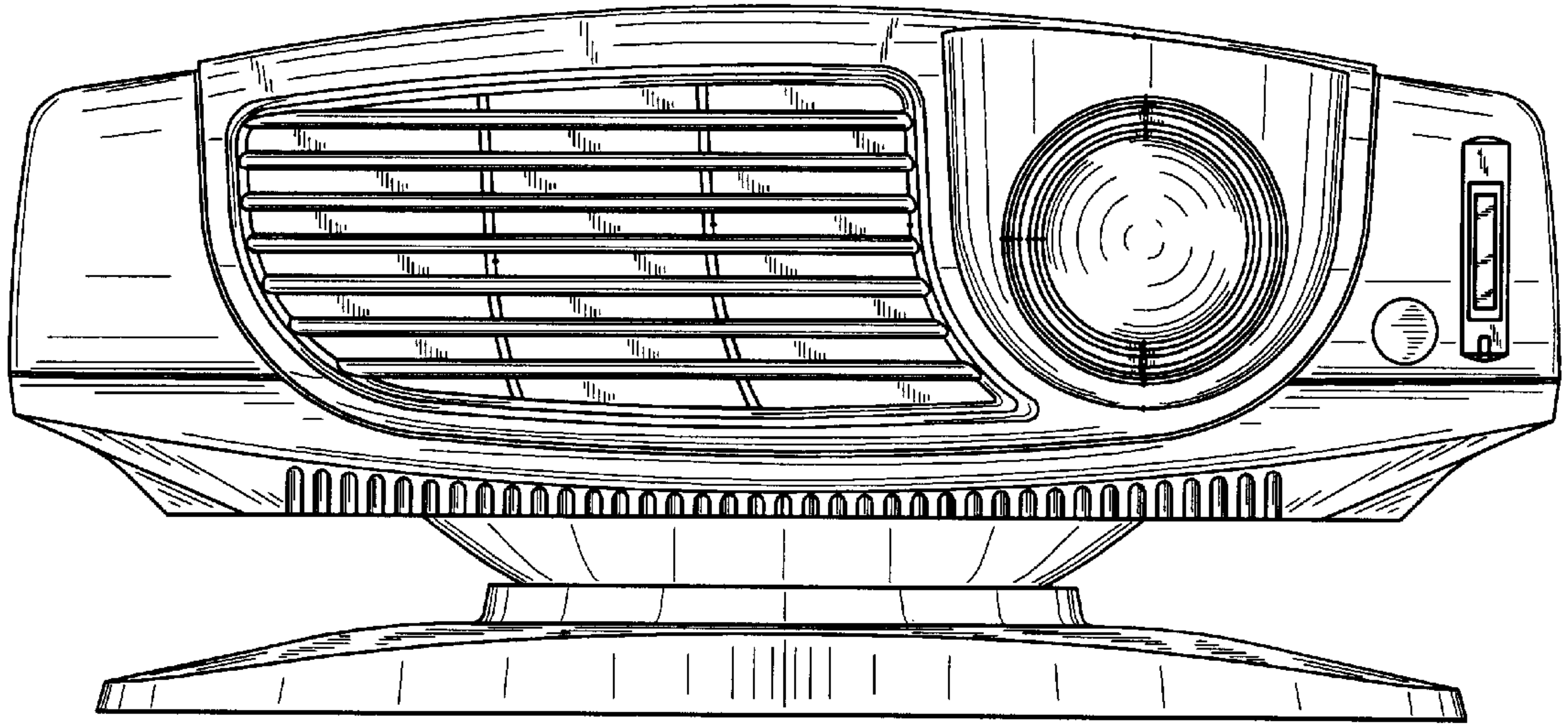
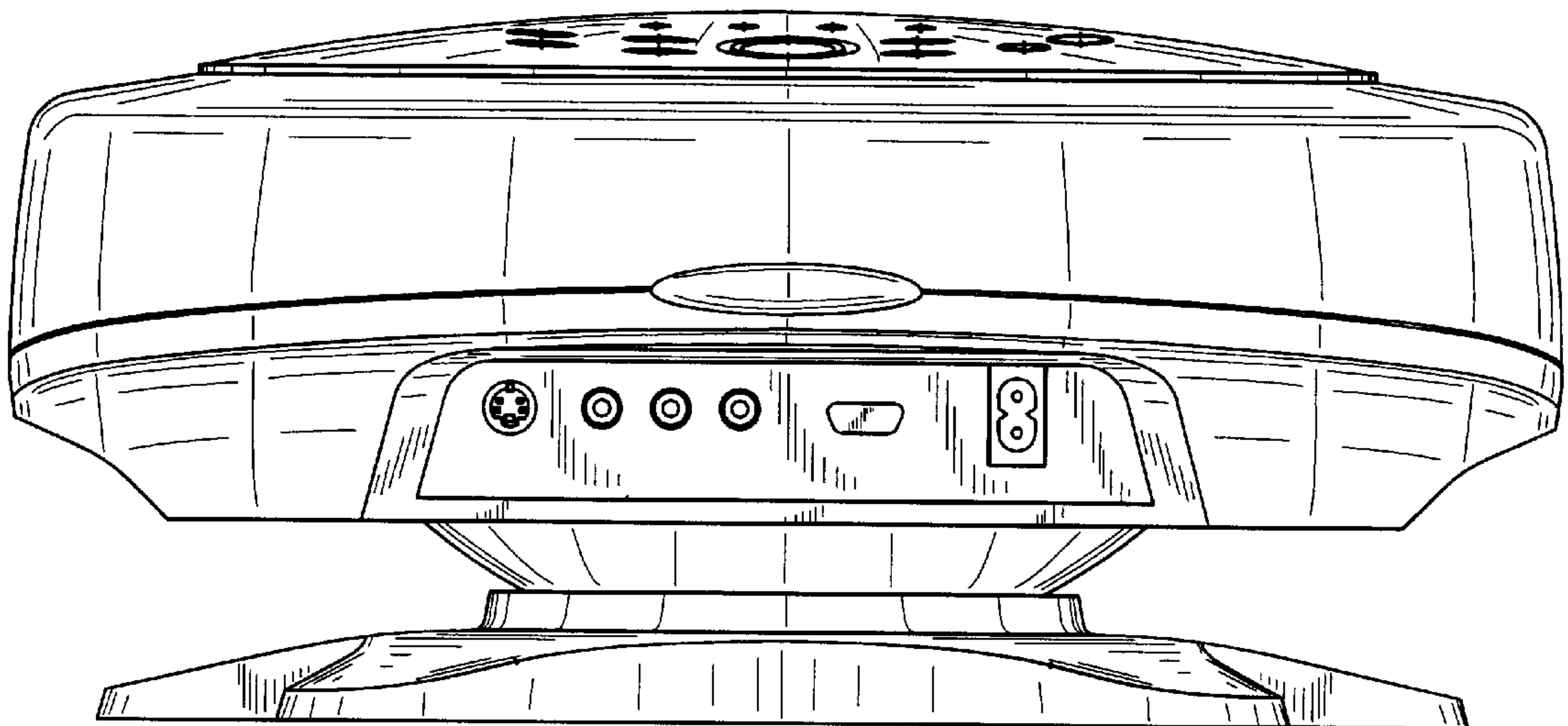


Fig. 1

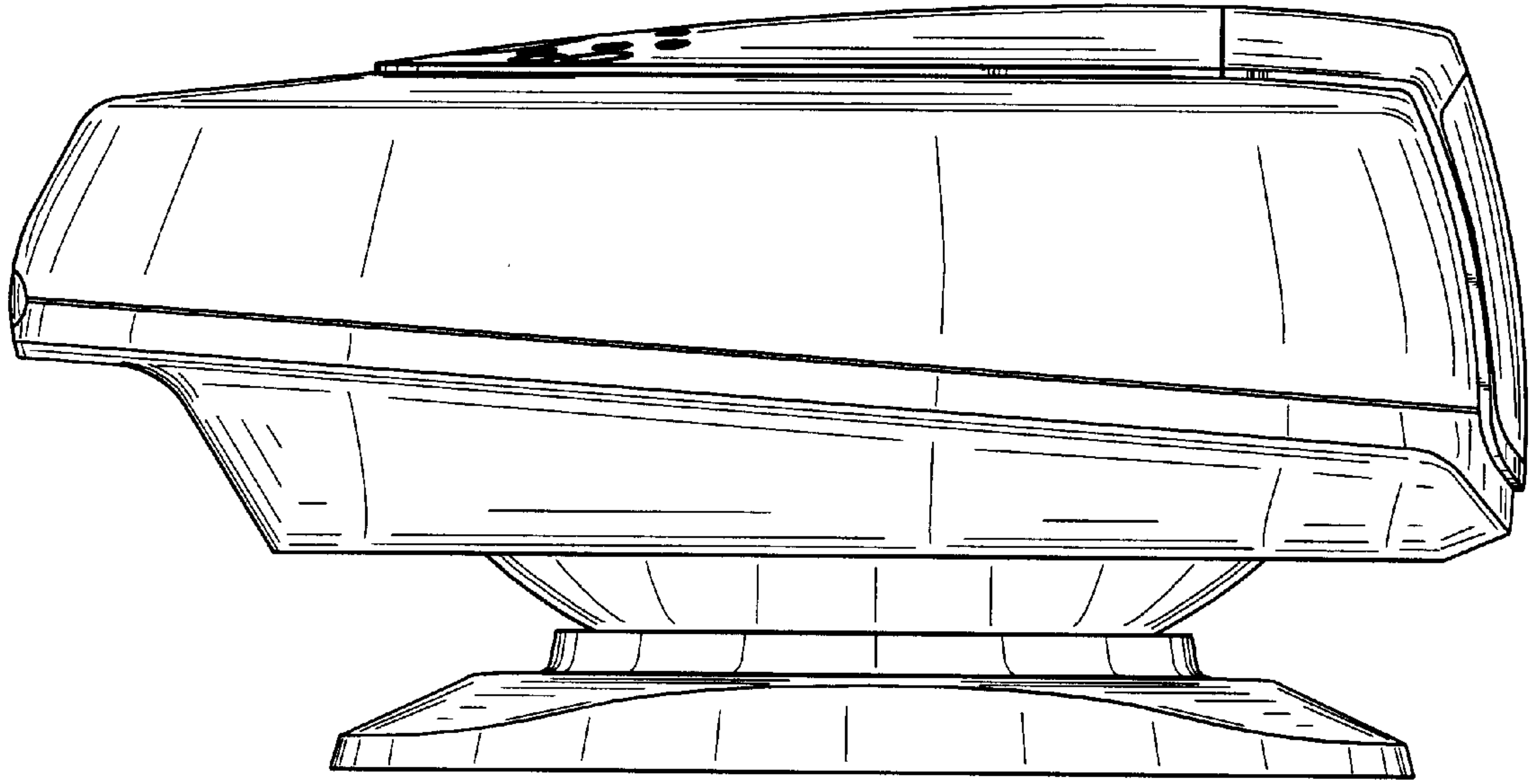




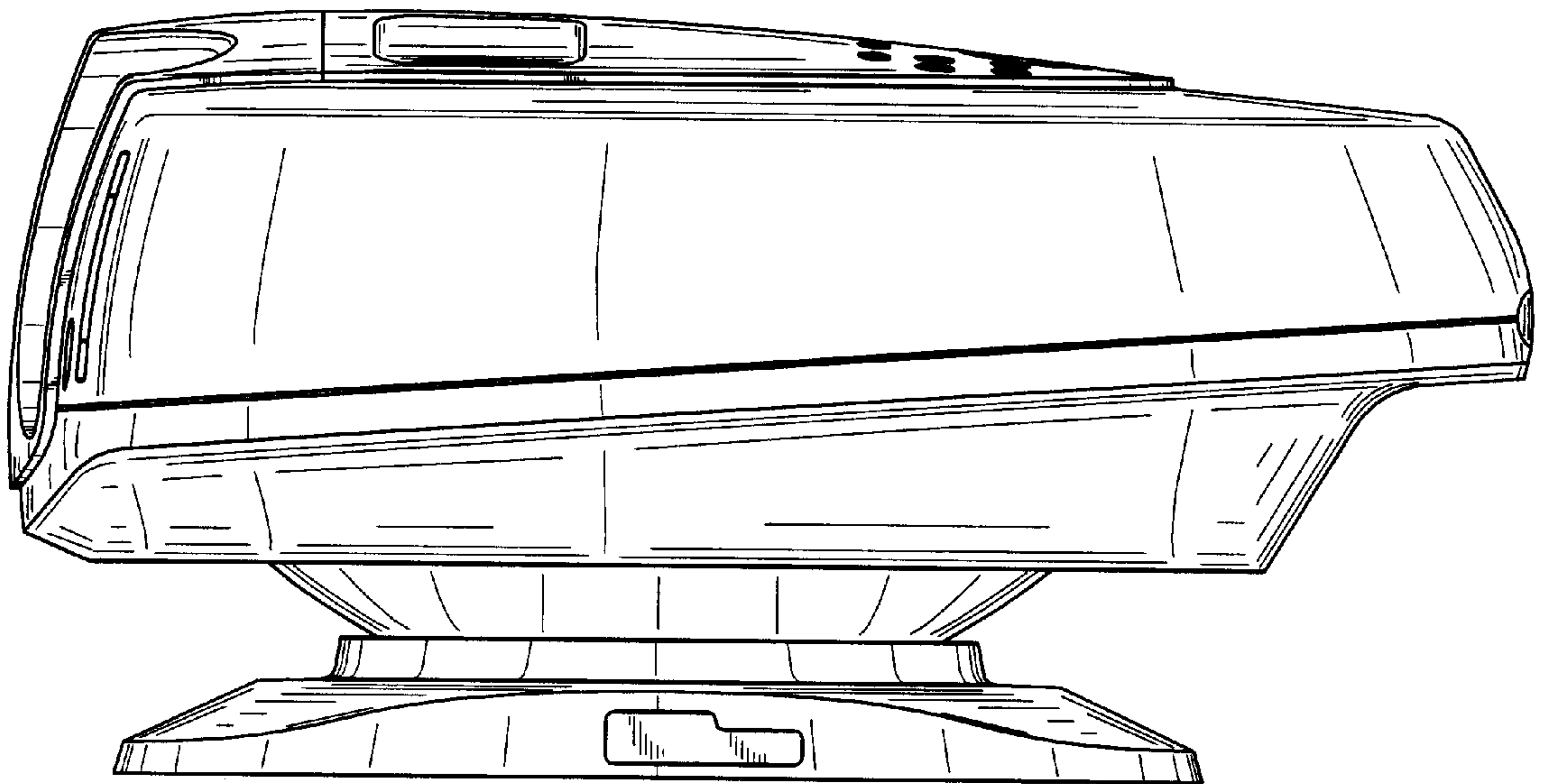
**Fig. 2**



**Fig. 3**



**Fig. 4**



**Fig. 5**

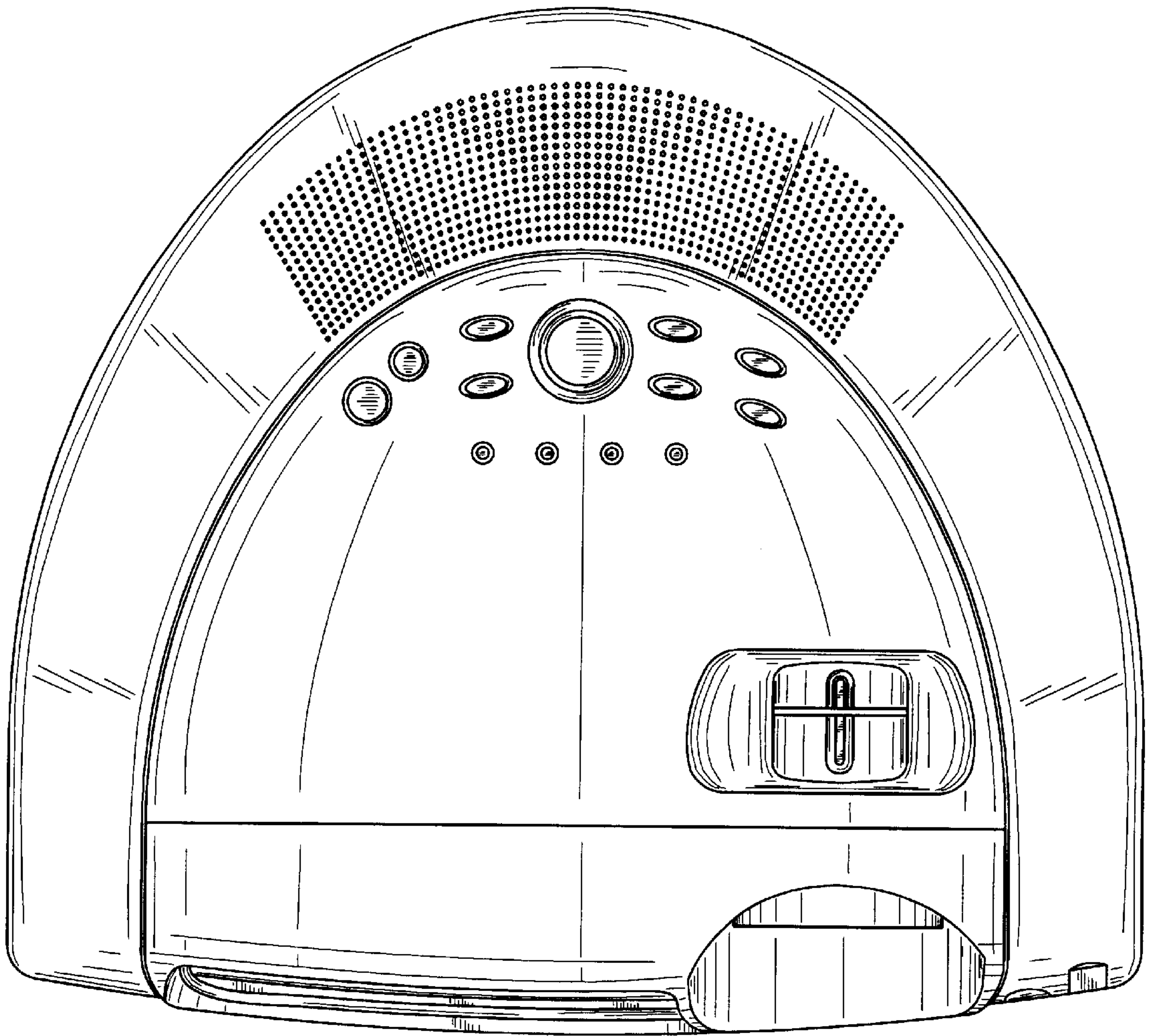
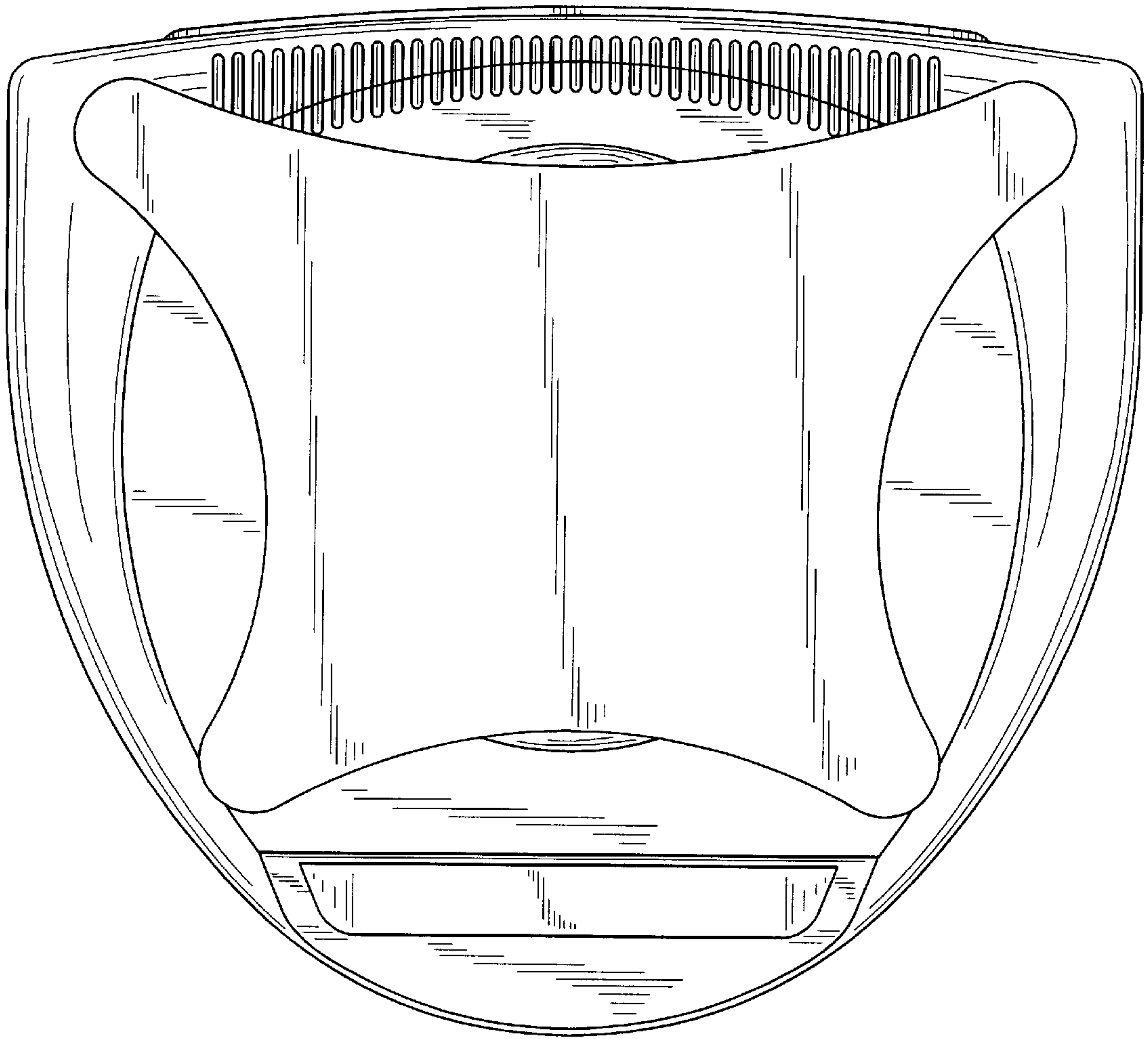


Fig. 6



**Fig. 7**