



US00D464071S

(12) **United States Design Patent**
Liu

(10) **Patent No.:** **US D464,071 S**

(45) **Date of Patent:** **** Oct. 8, 2002**

(54) **CAMERA**

(75) **Inventor:** **Ming Hsiang Liu, Yi-Lan (TW)**

(73) **Assignee:** **Aiptek International Inc., Hsinchu (TW)**

(**) **Term:** **14 Years**

(21) **Appl. No.:** **29/145,655**

(22) **Filed:** **Jul. 25, 2001**

(51) **LOC (7) Cl.** **16-01**

(52) **U.S. Cl.** **D16/202; D16/218**

(58) **Field of Search** **D16/200-205, D16/208, 209, 218; 348/373-376; 396/6, 176, 535-541**

(56) **References Cited**

U.S. PATENT DOCUMENTS

D394,668 S * 5/1998 Iino D16/202
D401,257 S * 11/1998 Iino D16/202

D412,003 S * 7/1999 Sumida et al. D16/202
5,946,031 A * 8/1999 Douglas 348/373
D445,441 S * 7/2001 Liu D16/202
D448,785 S * 10/2001 Chou D16/202

* cited by examiner

Primary Examiner—Adir Aronovich

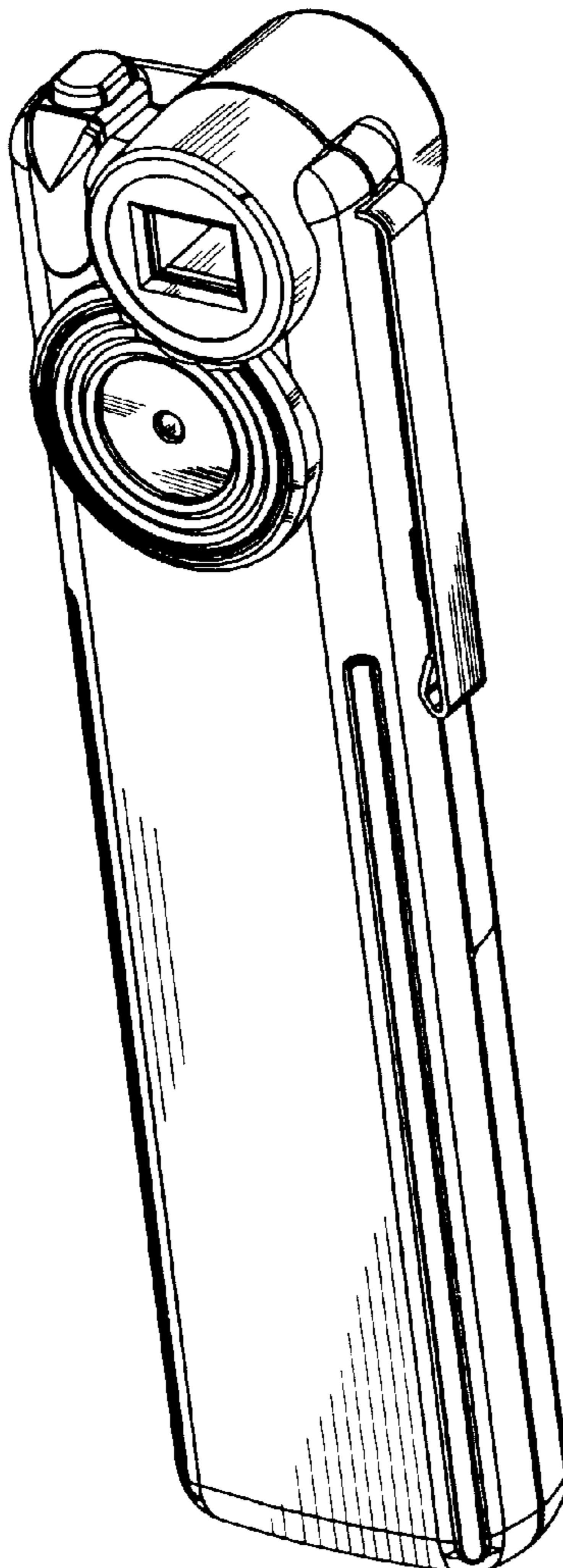
(57) **CLAIM**

The ornamental design for a camera, as shown and described.

DESCRIPTION

FIG. 1 is a perspective view of a camera showing my new design;
FIG. 2 is a front elevational view thereof;
FIG. 3 is a rear elevational view thereof;
FIG. 4 is a left side elevational view thereof;
FIG. 5 is right side elevational view thereof;
FIG. 6 is a top view thereof; and,
FIG. 7 is a bottom view thereof.

1 Claim, 7 Drawing Sheets



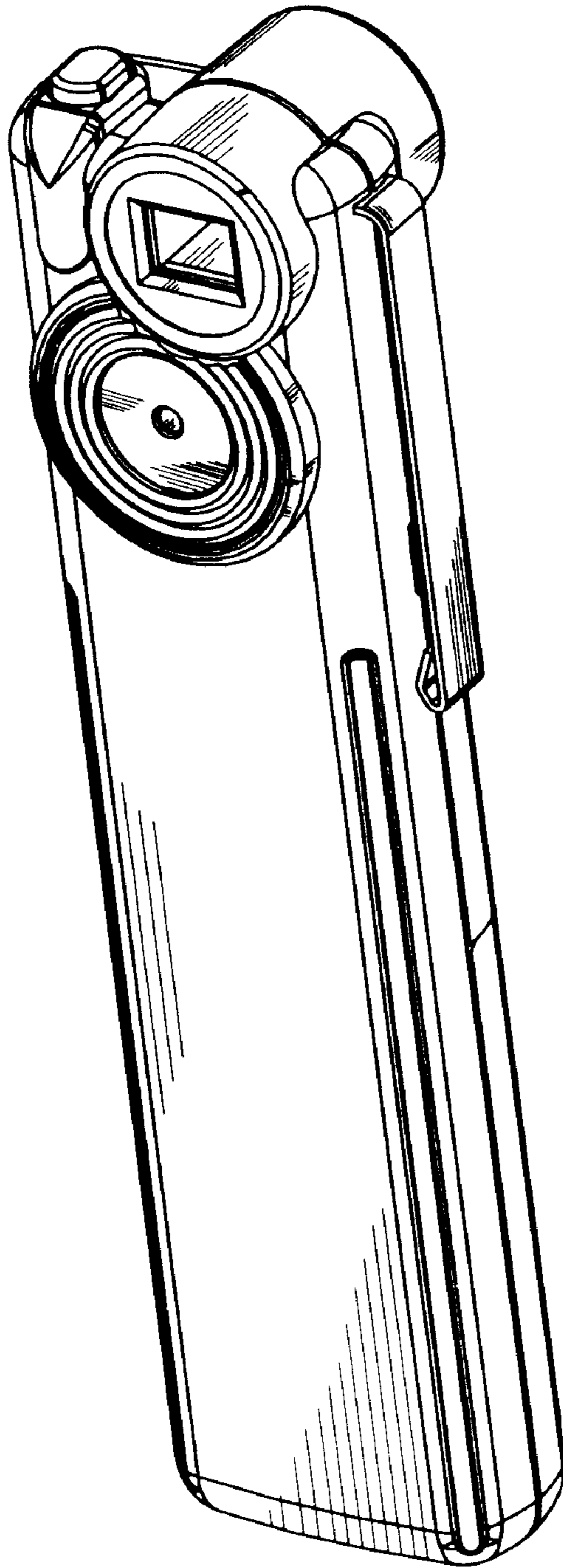


FIG. 1

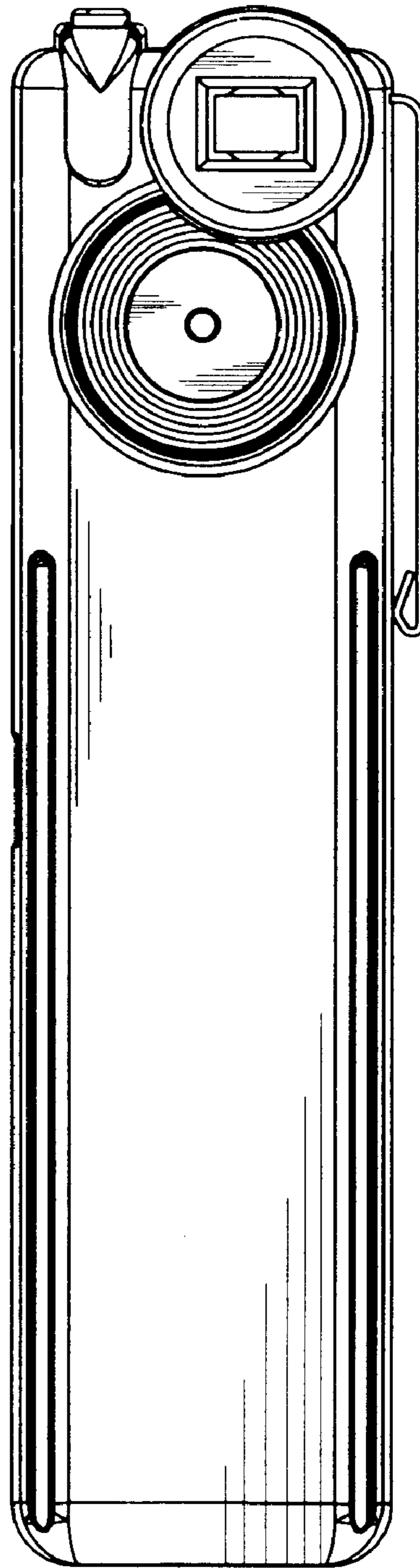


FIG. 2

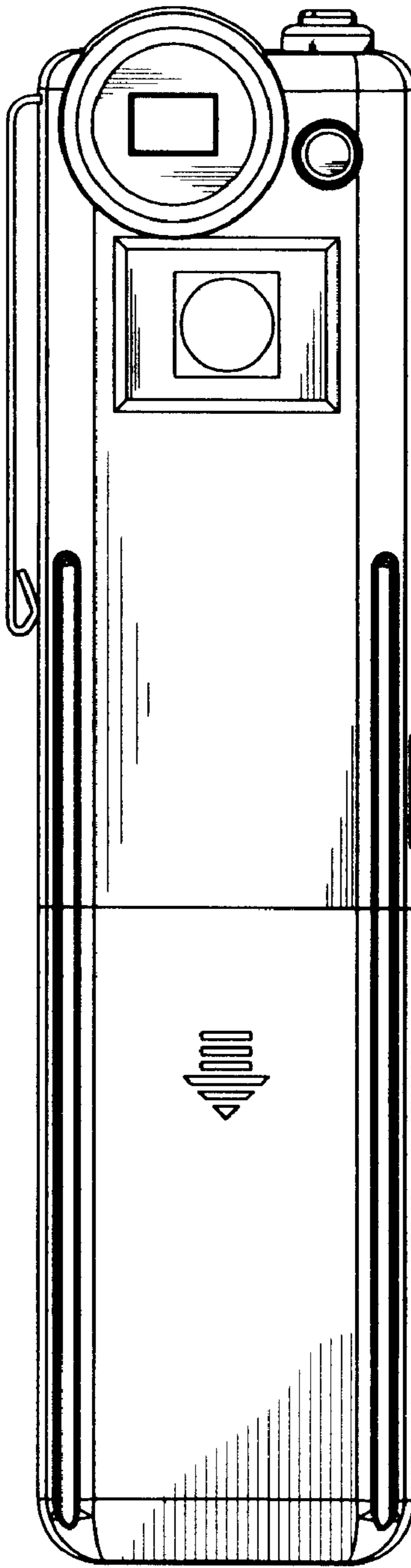


FIG. 3

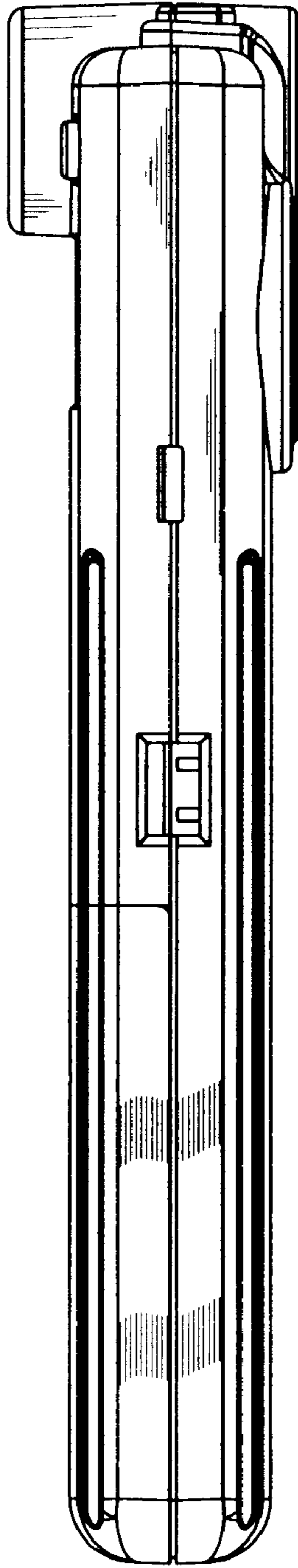


FIG. 4

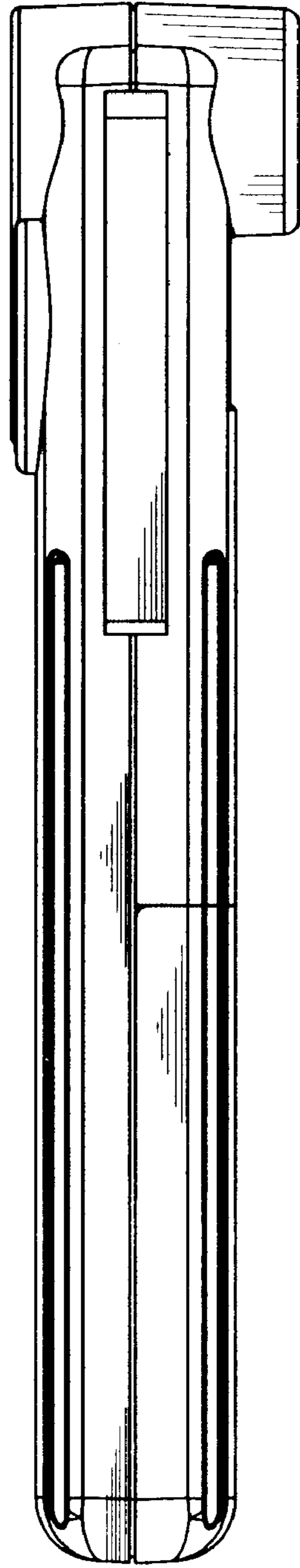


FIG. 5

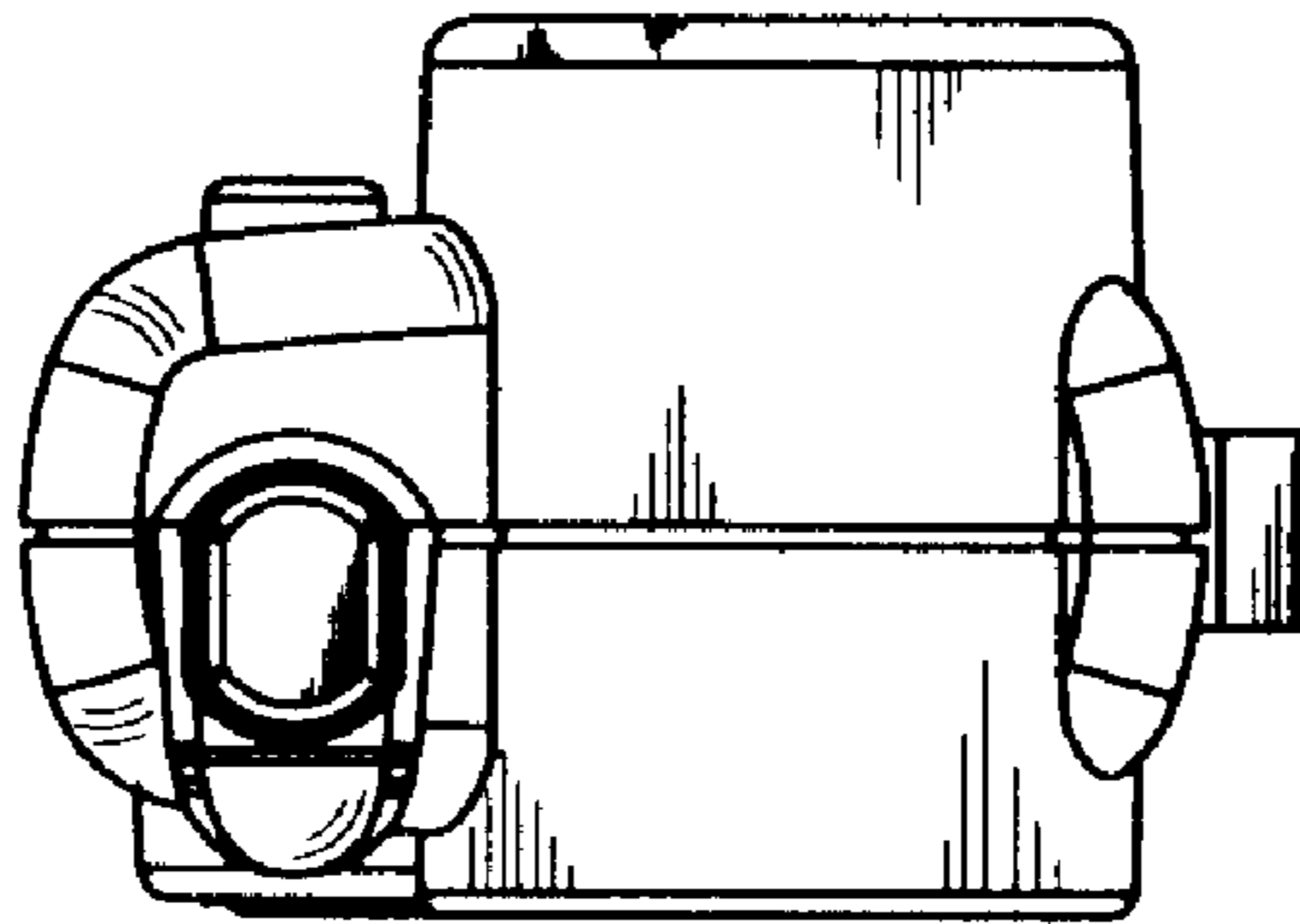


FIG. 6

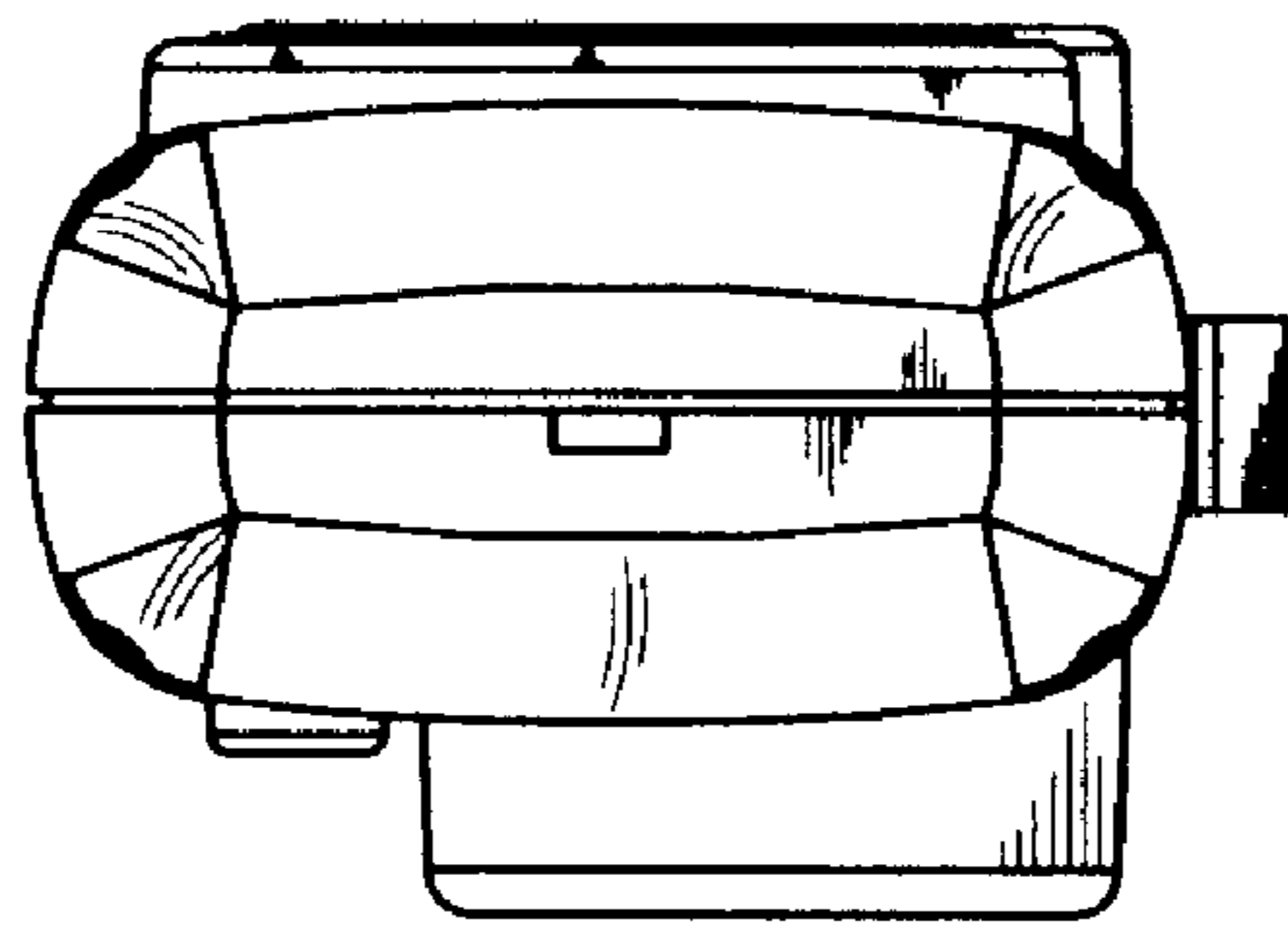


FIG. 7