



US00D464070S

(12) **United States Design Patent**  
**Miyashita**

(10) **Patent No.:** **US D464,070 S**

(45) **Date of Patent:** **\*\* Oct. 8, 2002**

(54) **VIDEO CAMERA**

D443,629 S 6/2001 Suzuki ..... D16/202

(75) Inventor: **Shin Miyashita**, Tokyo (JP)

(73) Assignee: **Sony Corporation**, Tokyo (JP)

(\*\*) Term: **14 Years**

(21) Appl. No.: **29/143,003**

(22) Filed: **Jun. 7, 2001**

(51) **LOC (7) Cl.** ..... **16-01**

(52) **U.S. Cl.** ..... **D16/202**

(58) **Field of Search** ..... D16/200–206,  
D16/208, 218; 348/373–376; 358/906; 396/535–541

(56) **References Cited**

**U.S. PATENT DOCUMENTS**

5,499,052 A	*	3/1996	Nakanishi et al. ....	348/373
D400,900 S	*	11/1998	Harata .....	D16/202
D413,134 S	*	8/1999	Harata .....	D16/202
D414,792 S	*	10/1999	Harata .....	D16/202
D435,056 S		12/2000	Harata .....	D16/202
D435,261 S		12/2000	Nakamura .....	D16/202
D435,262 S		12/2000	Maeyama .....	D16/202
D435,573 S		12/2000	Harata .....	D16/202
D436,365 S		1/2001	Harata .....	D16/202
D436,974 S		1/2001	Nakamura .....	D16/202
D436,975 S		1/2001	Nakamura .....	D16/202
D437,335 S		2/2001	Nakamura .....	D16/202
D439,919 S		4/2001	Sumita .....	D16/202
D441,385 S		5/2001	Miyashita .....	D16/202

**OTHER PUBLICATIONS**

Catalogue, "Handycam," pp. 16 & 19, Sony Corporation (Feb. 2000).

Catalogue, "Handycam," p. 4, Sony Corporation (Mar. 1998).

Catalogue, "Handycam," p. 16, Sony Corporation (Jul. 1998).

\* cited by examiner

*Primary Examiner*—Adir Aronovich

(74) *Attorney, Agent, or Firm*—Rader, Fishman & Grauer, PLLC

(57) **CLAIM**

The ornamental design for a video camera, as shown and described.

**DESCRIPTION**

FIG. 1 is a top, right perspective view of a video camera showing my new design;

FIG. 2 is a top, left perspective view thereof;

FIG. 3 is a front elevational view thereof;

FIG. 4 is a rear elevational view thereof;

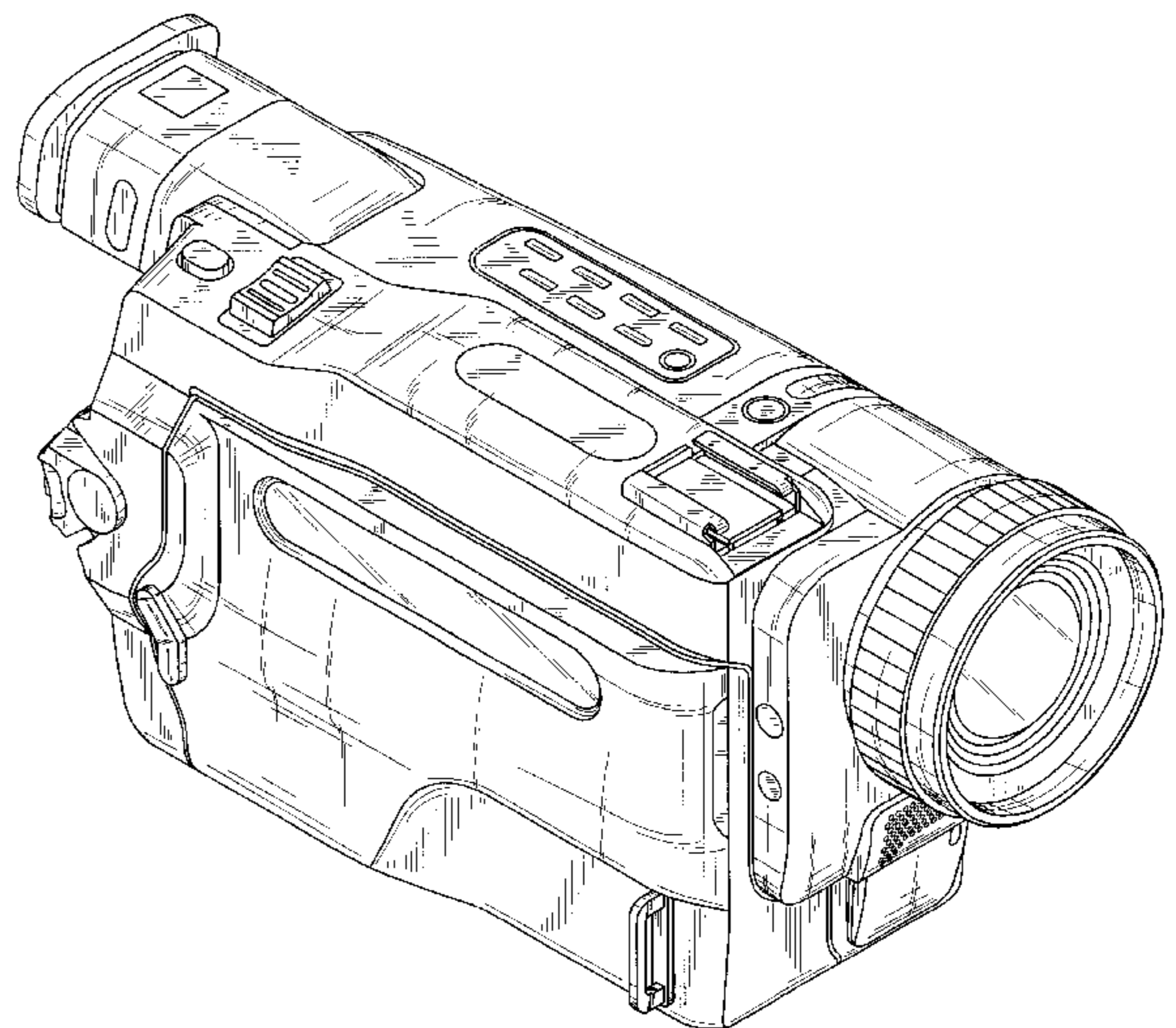
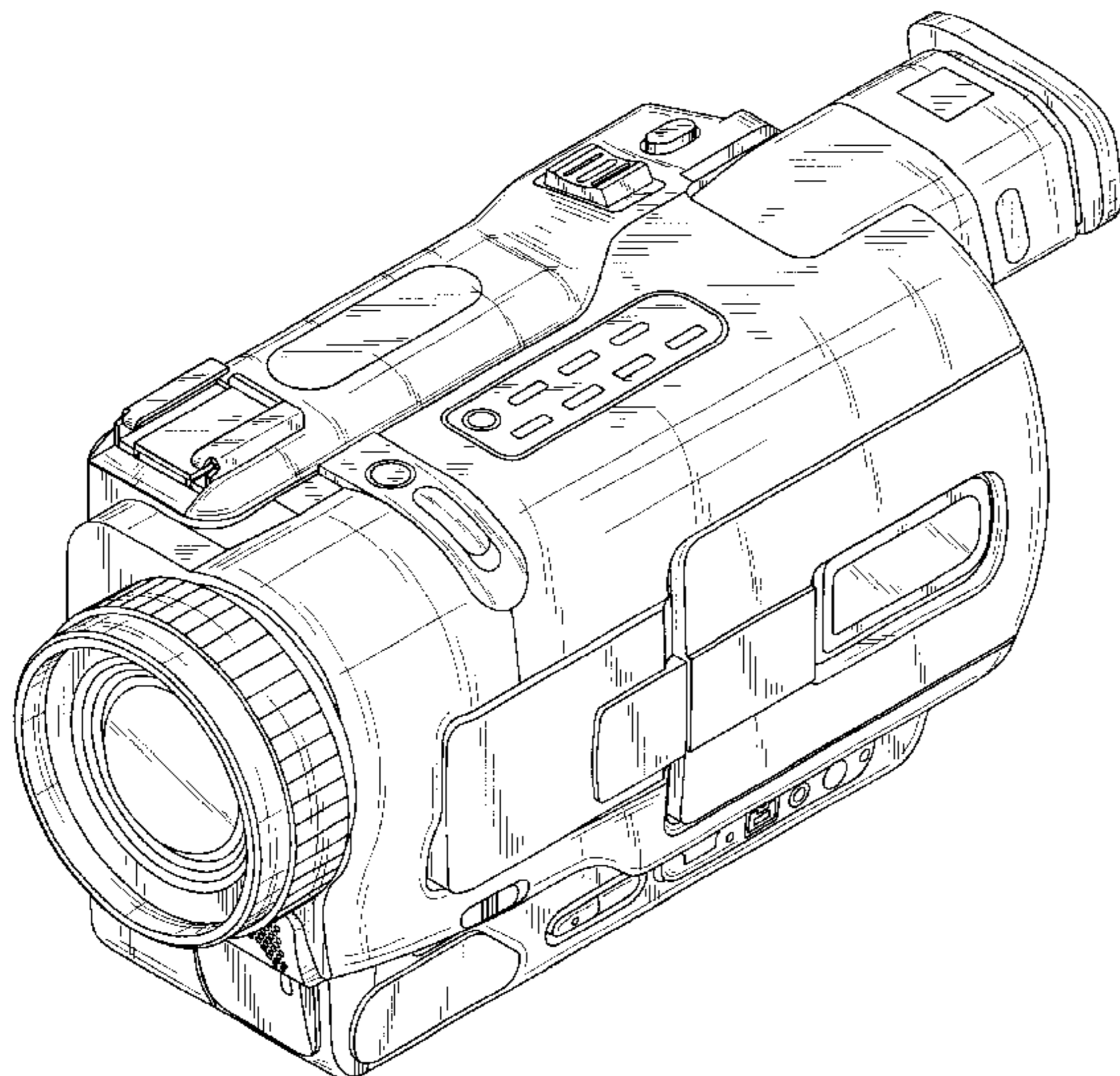
FIG. 5 is a left side elevational view thereof;

FIG. 6 is a right side elevational view thereof;

FIG. 7 is a top plan view thereof; and,

FIG. 8 is a bottom plan view thereof.

**1 Claim, 8 Drawing Sheets**



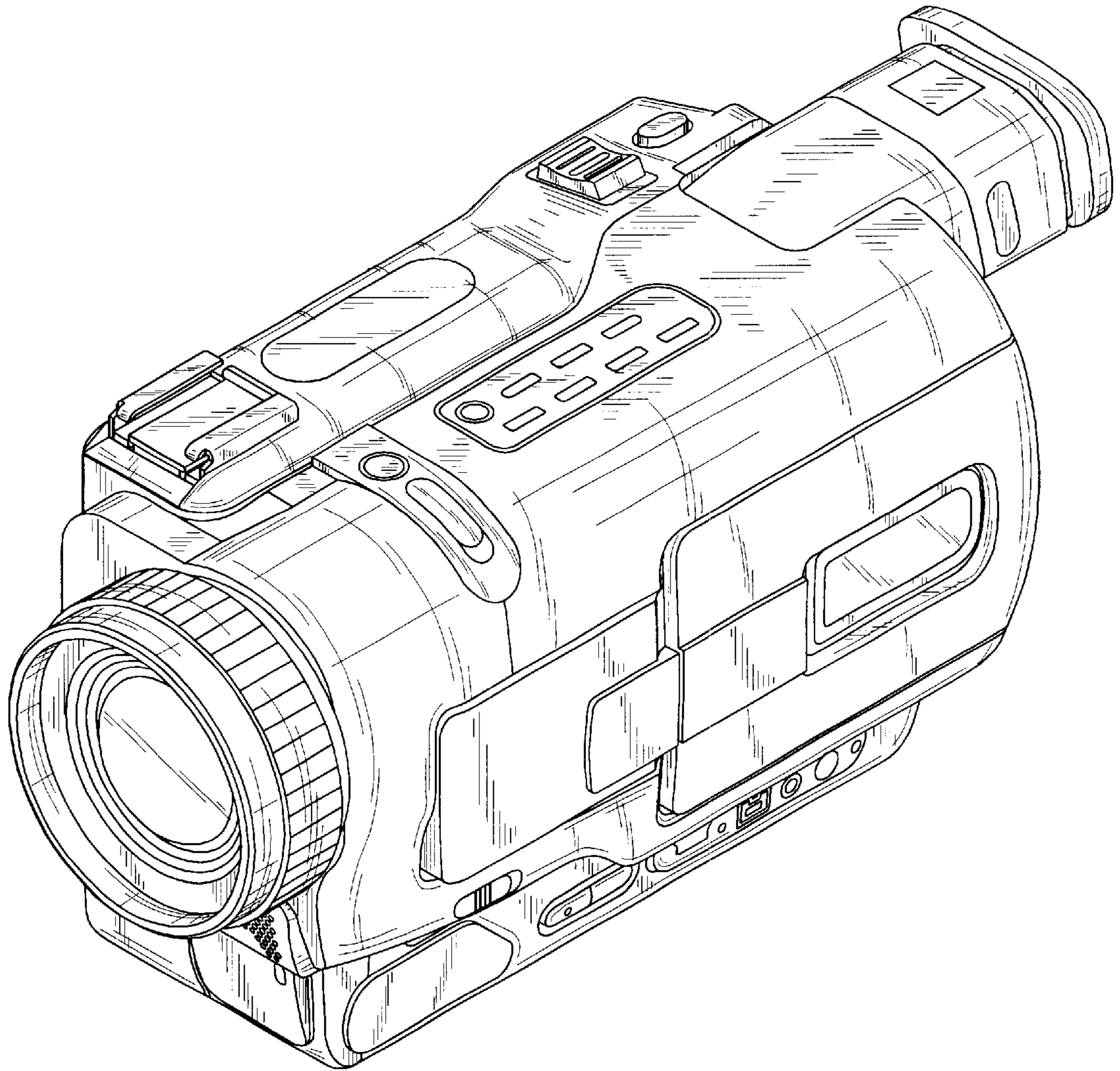


Fig. 1

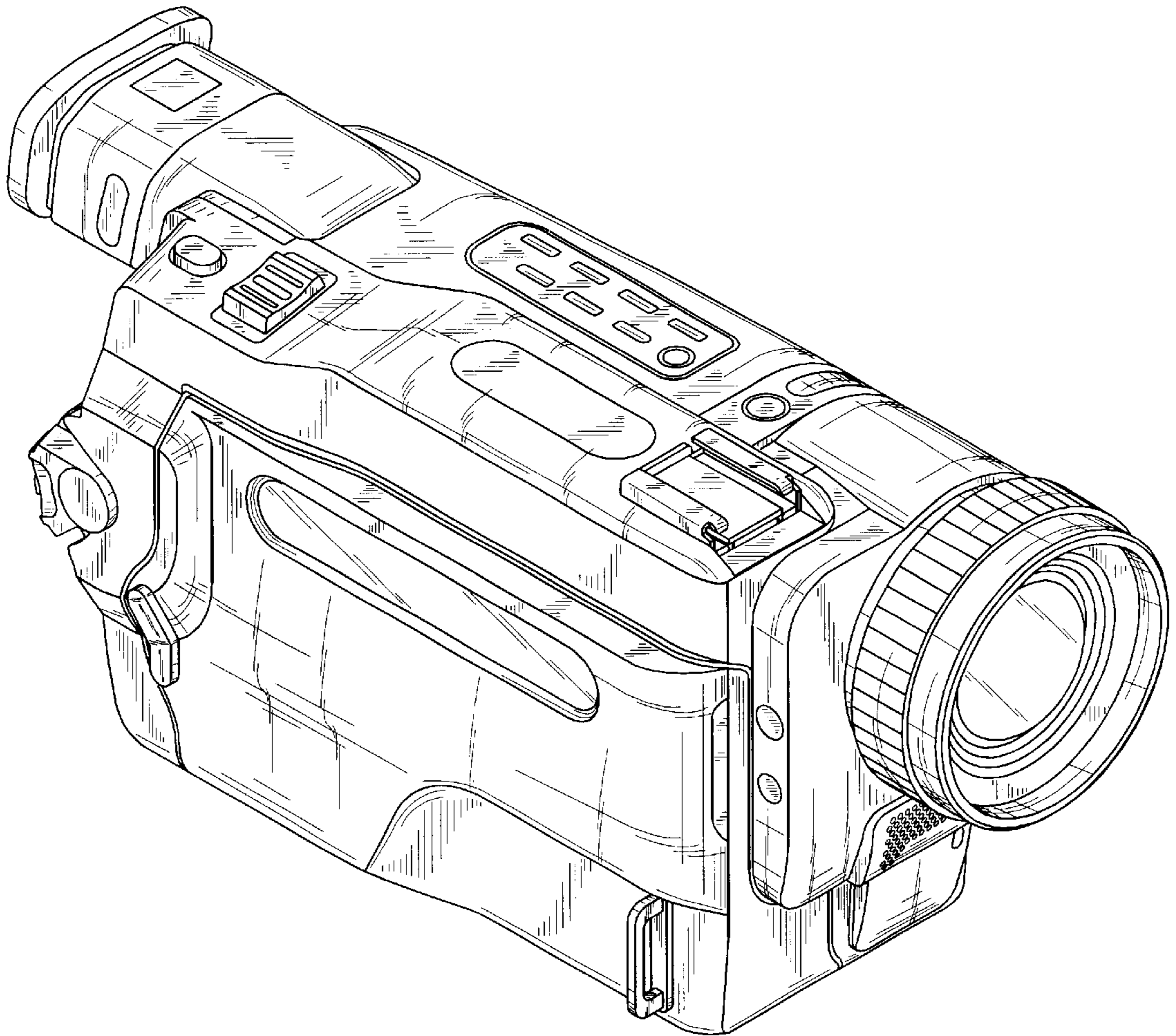
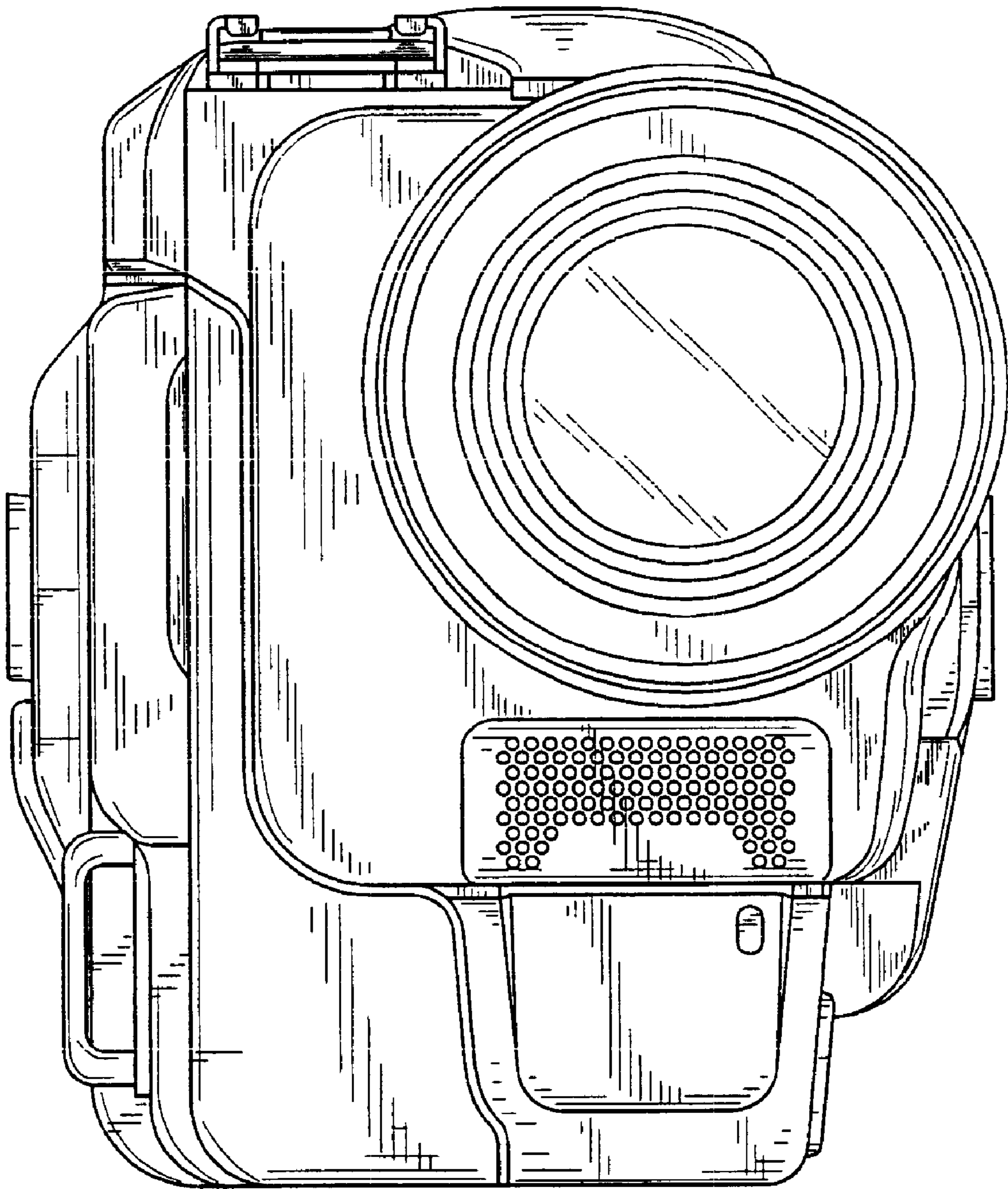
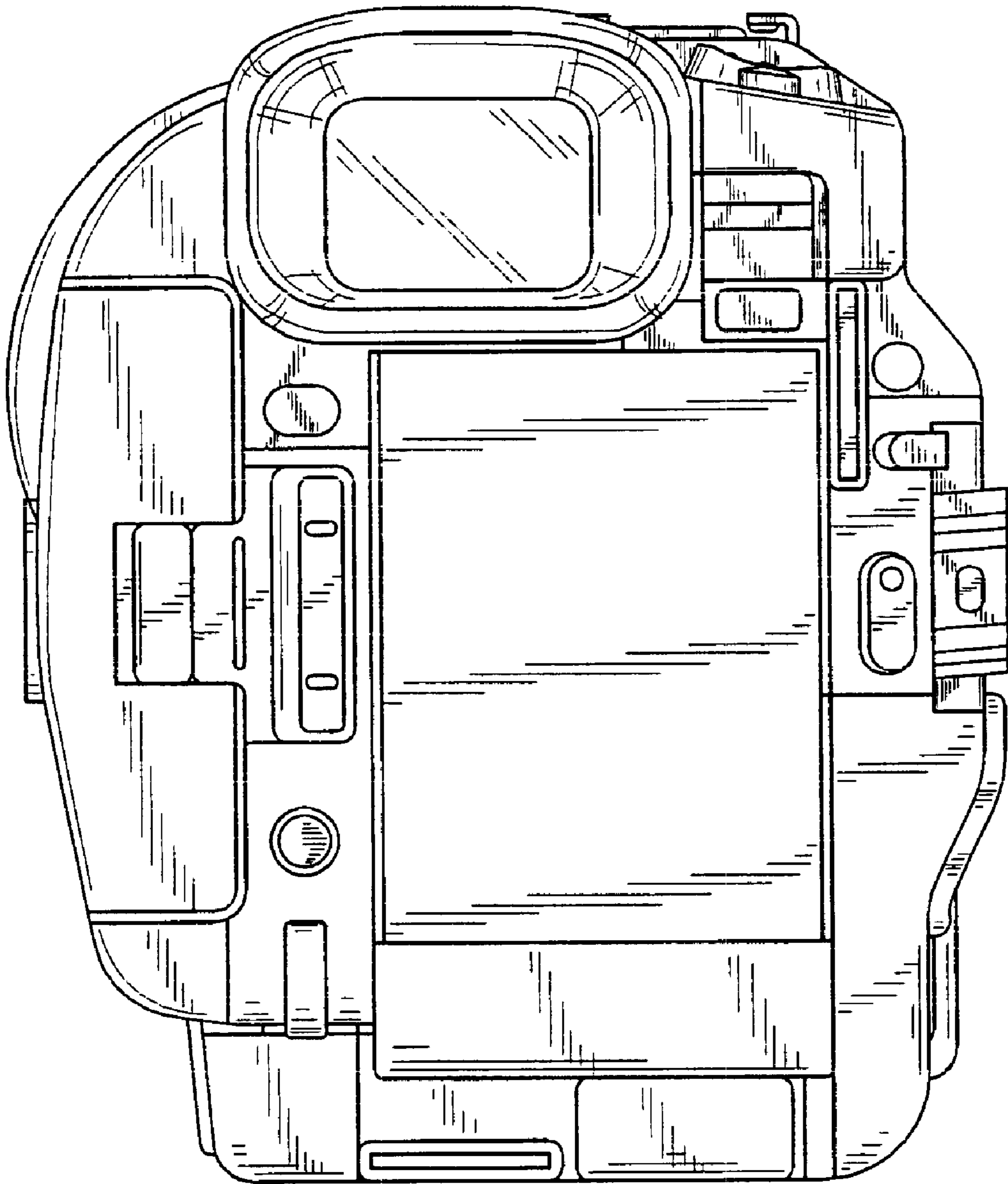


Fig. 2



**Fig. 3**



**Fig. 4**

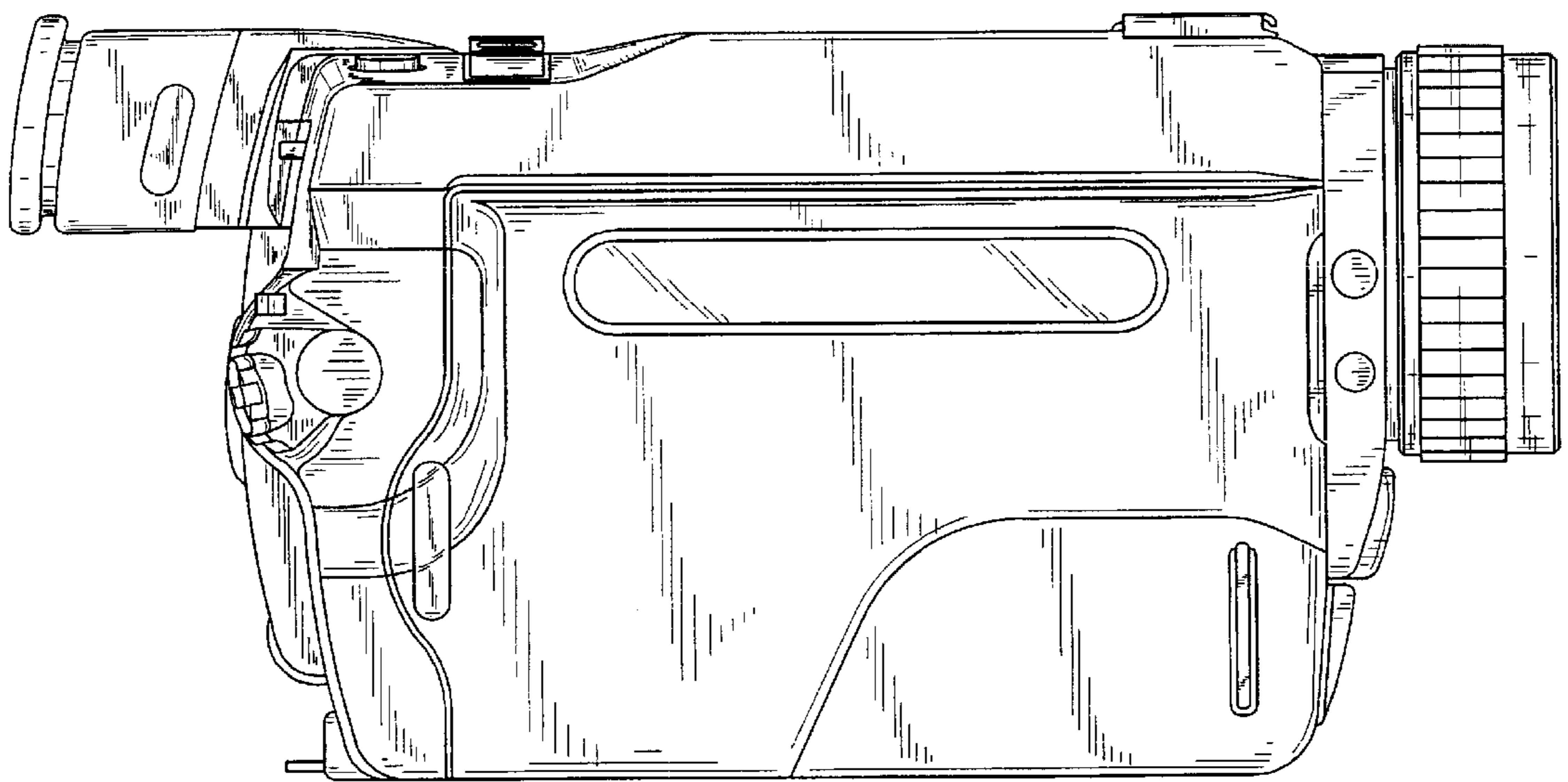


Fig. 5

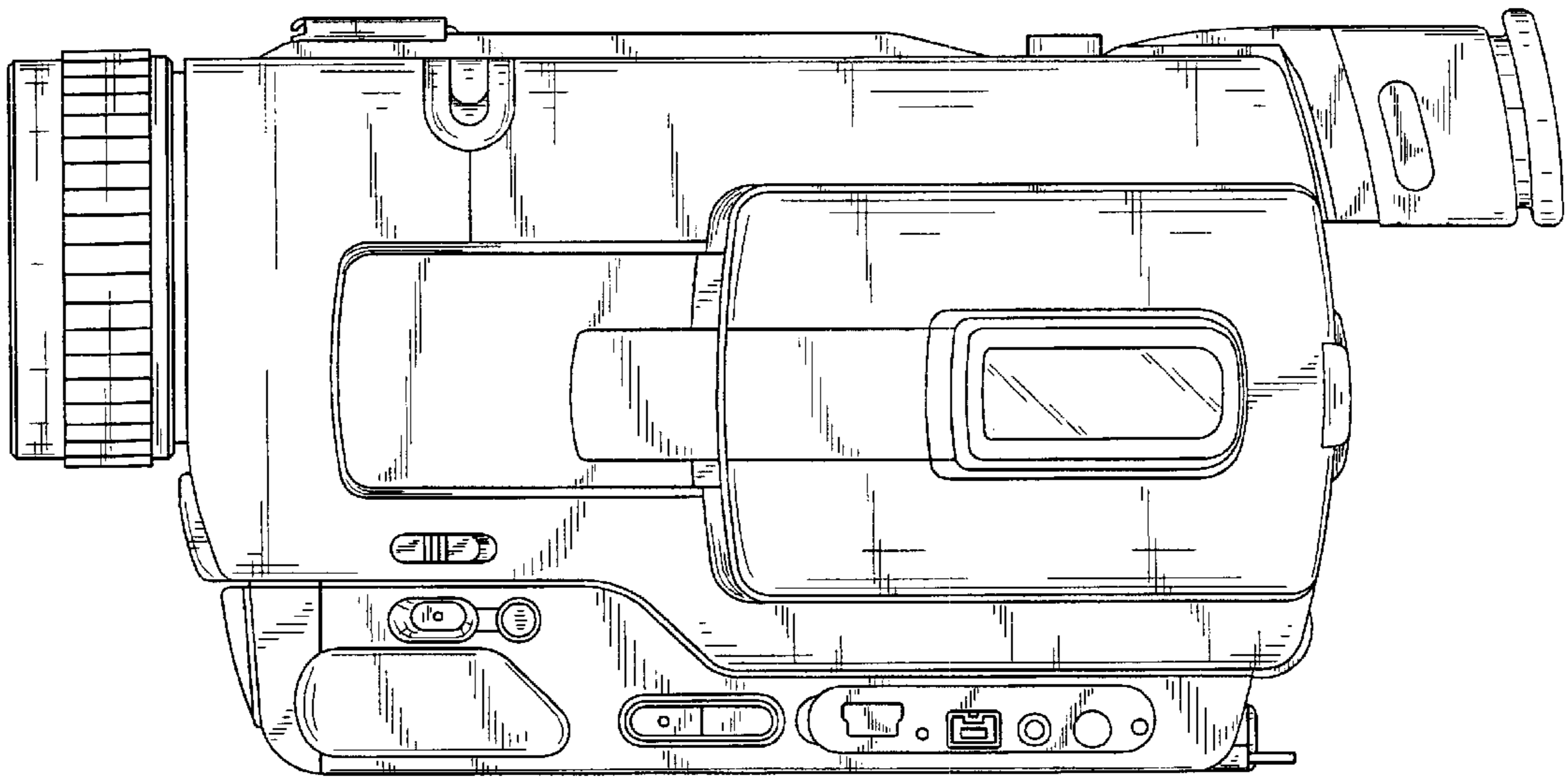


Fig. 6

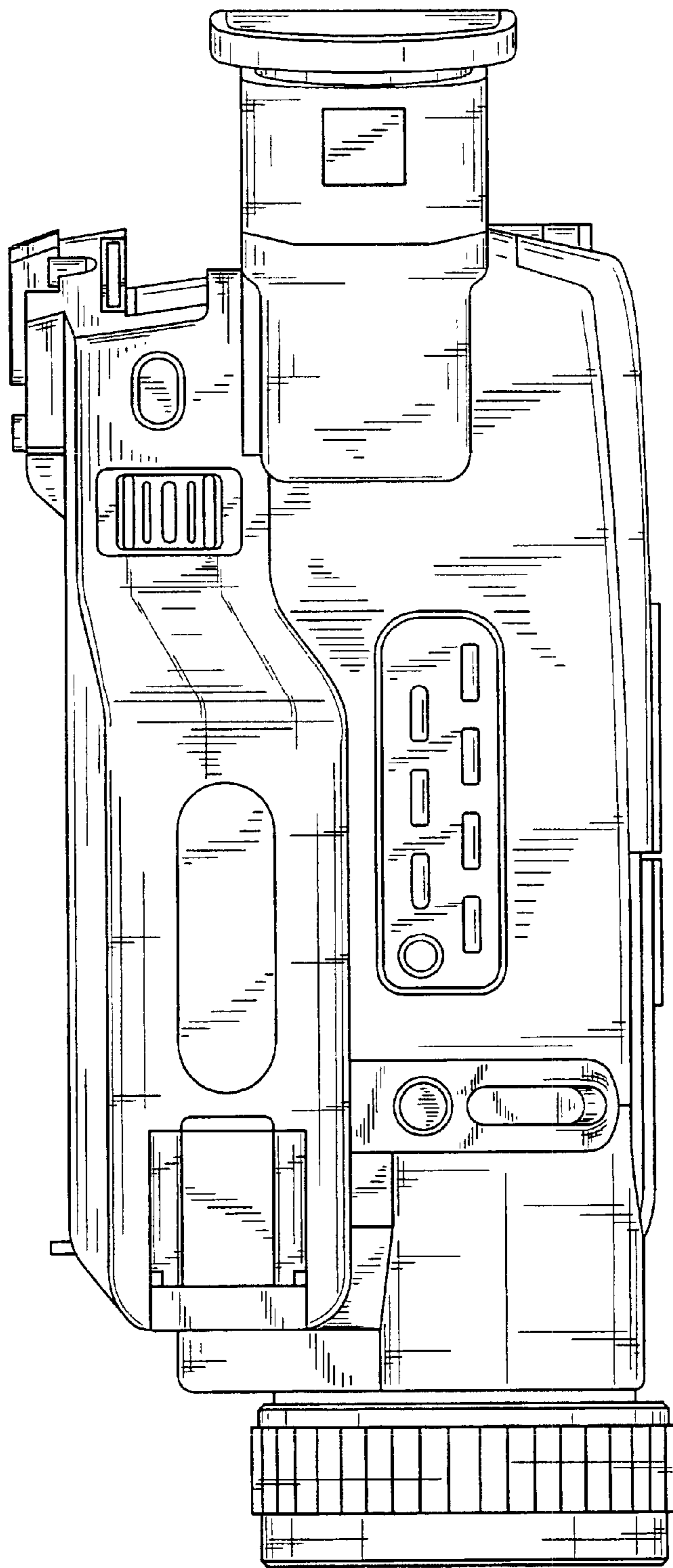


Fig. 7



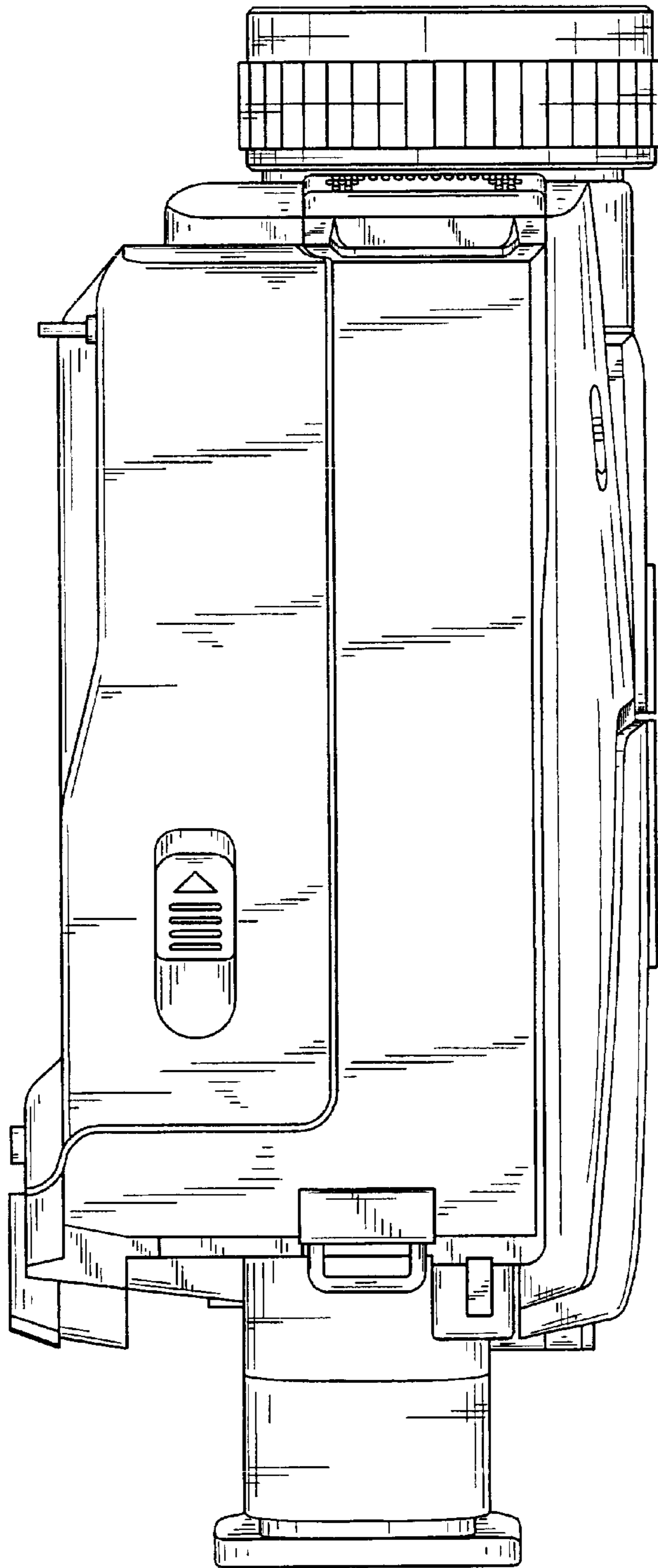


Fig. 8