



US00D464069S

(12) **United States Design Patent**
Serbinski et al.

(10) **Patent No.:** **US D464,069 S**

(45) **Date of Patent:** **** Oct. 8, 2002**

(54) **CAMERA WITH CONVEXLY CURVED GRIP**

(75) Inventors: **Andrew Serbinski**, Annandale, NJ (US); **Mirzat Koc**, Brooklyn, NY (US); **Masakazu Mori**, Santa Clara, CA (US)

(73) Assignee: **Matsushita-Kotobuki Electronics Industries, Ltd.**, Ehime (JP)

(**) Term: **14 Years**

(21) Appl. No.: **29/142,567**

(22) Filed: **May 29, 2001**

Related U.S. Application Data

(62) Division of application No. 29/122,335, filed on Apr. 25, 2000, now Pat. No. Des. 456,832.

(51) **LOC (7) Cl.** **16-01**

(52) **U.S. Cl.** **D16/200**

(58) **Field of Search** D16/200-206, D16/208, 209, 217, 218, 243; 396/176, 177, 535-541; 348/373-376

(56) **References Cited**

U.S. PATENT DOCUMENTS

- 4,316,658 A * 2/1982 Bundschuh et al. 396/177
- 5,822,001 A * 10/1998 Morikawa et al. 348/375
- D408,044 S * 4/1999 Tanaka et al. D16/202

- D416,570 S * 11/1999 Hsueh D16/218
- D422,291 S * 4/2000 Senda D16/202
- D428,429 S * 7/2000 Garrison et al. D16/202

OTHER PUBLICATIONS

Fujifilm Image & Information, Nov. 1999 (digital camera "FinePix 1700 z").*

* cited by examiner

Primary Examiner—Ted Shooman

(74) *Attorney, Agent, or Firm*—Amster, Rothstein & Ebenstein

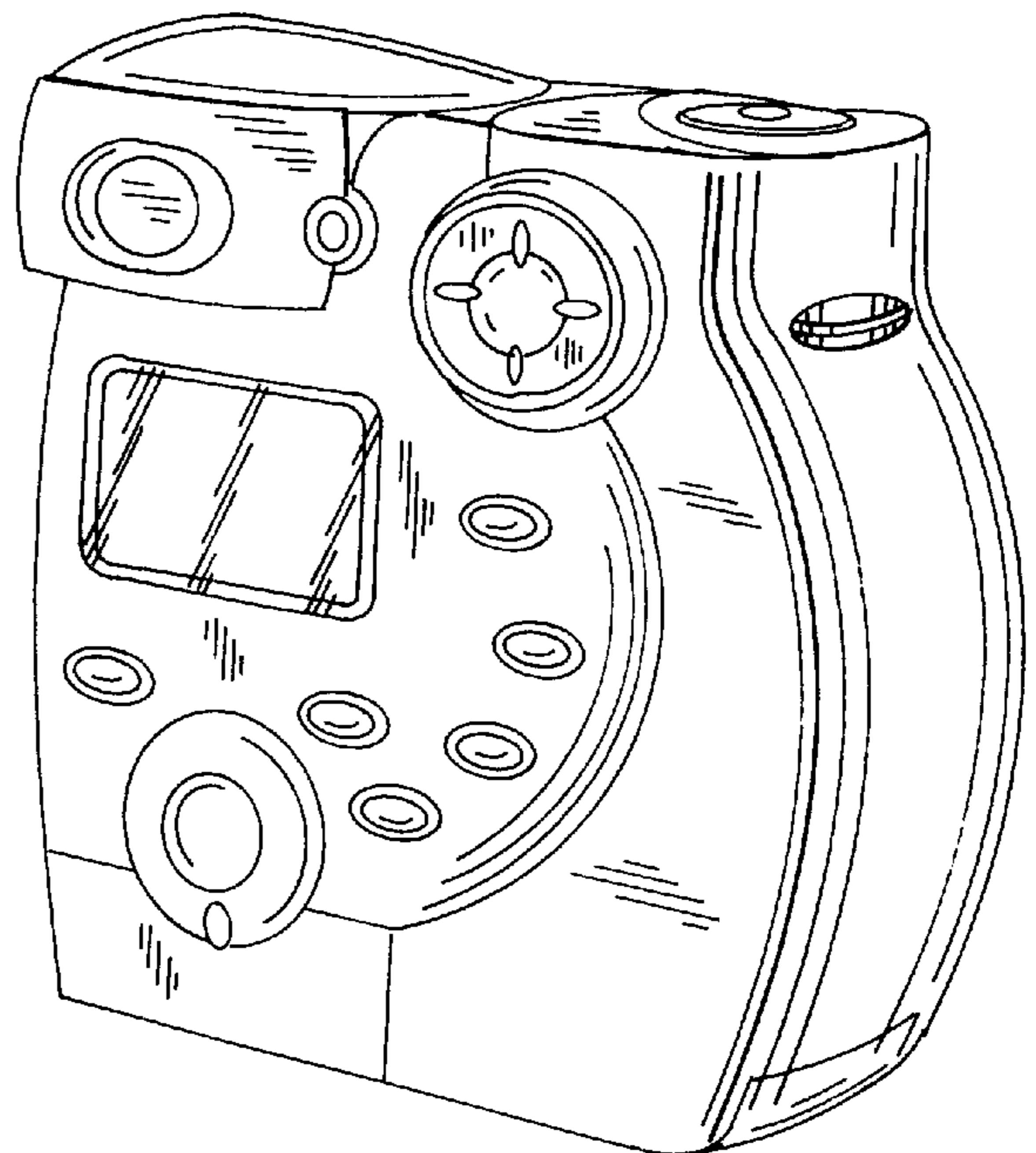
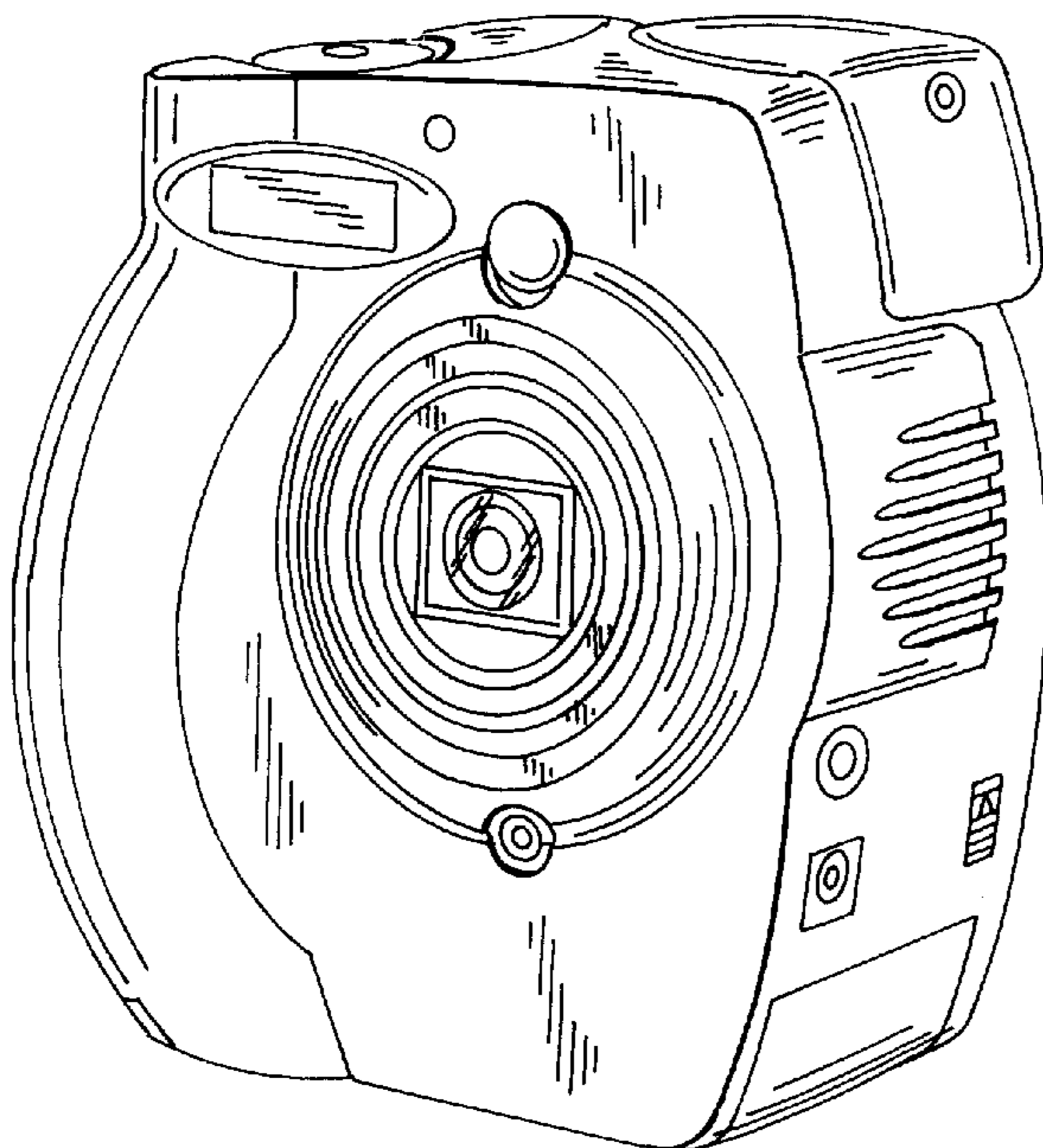
(57) **CLAIM**

The ornamental design for a camera with convexly curved grip, as shown.

DESCRIPTION

FIG. 1 is a front elevational view of a camera with convexly curved grip showing our new design;
 FIG. 2 is a back elevational view thereof;
 FIG. 3 is a top plan view thereof;
 FIG. 4 is a bottom plan view thereof;
 FIG. 5 is a right side elevational view thereof;
 FIG. 6 is a left side elevational view thereof;
 FIG. 7 is front perspective view thereof; and,
 FIG. 8 is a back perspective view thereof.

1 Claim, 6 Drawing Sheets



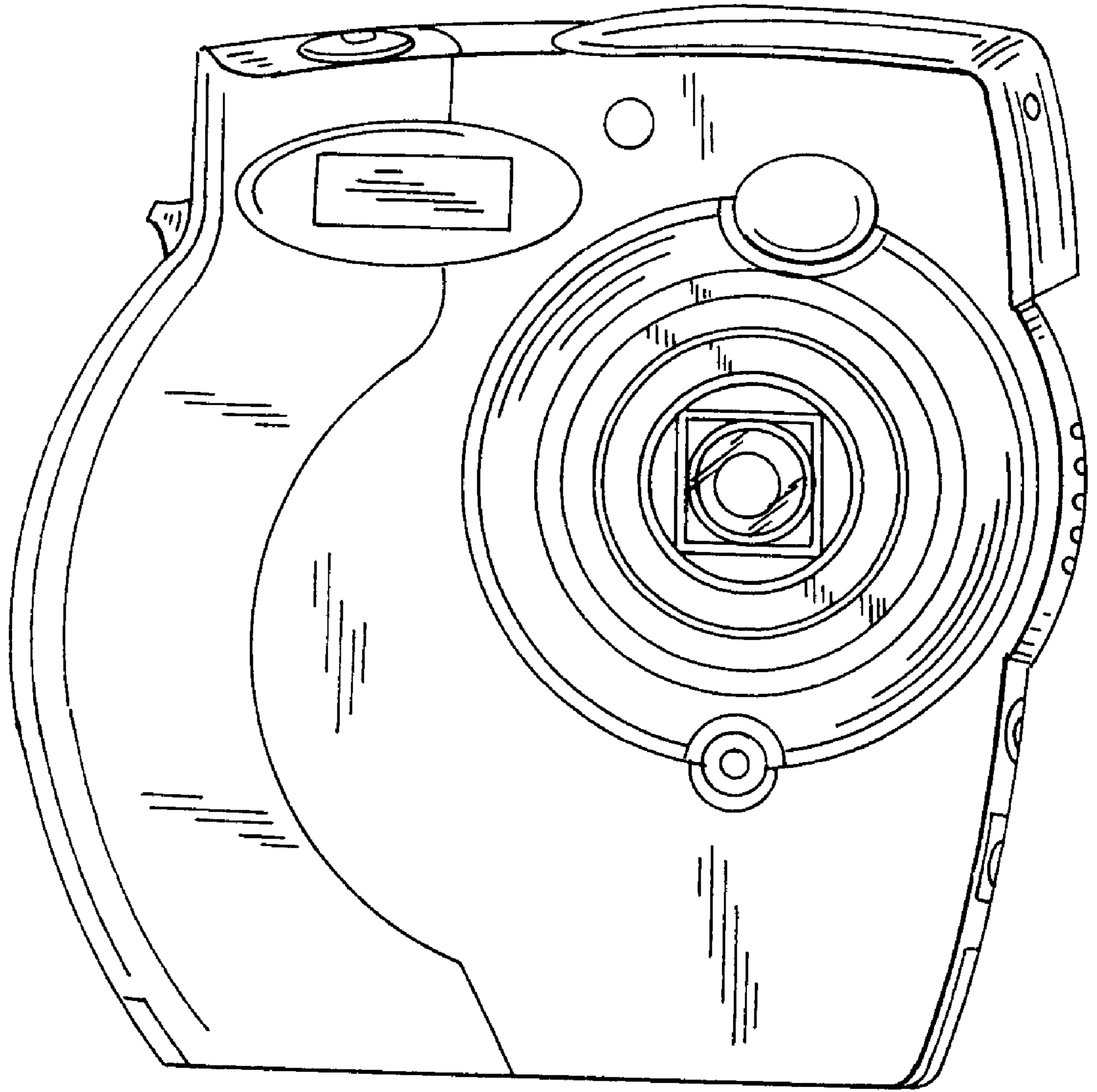


FIG. 1

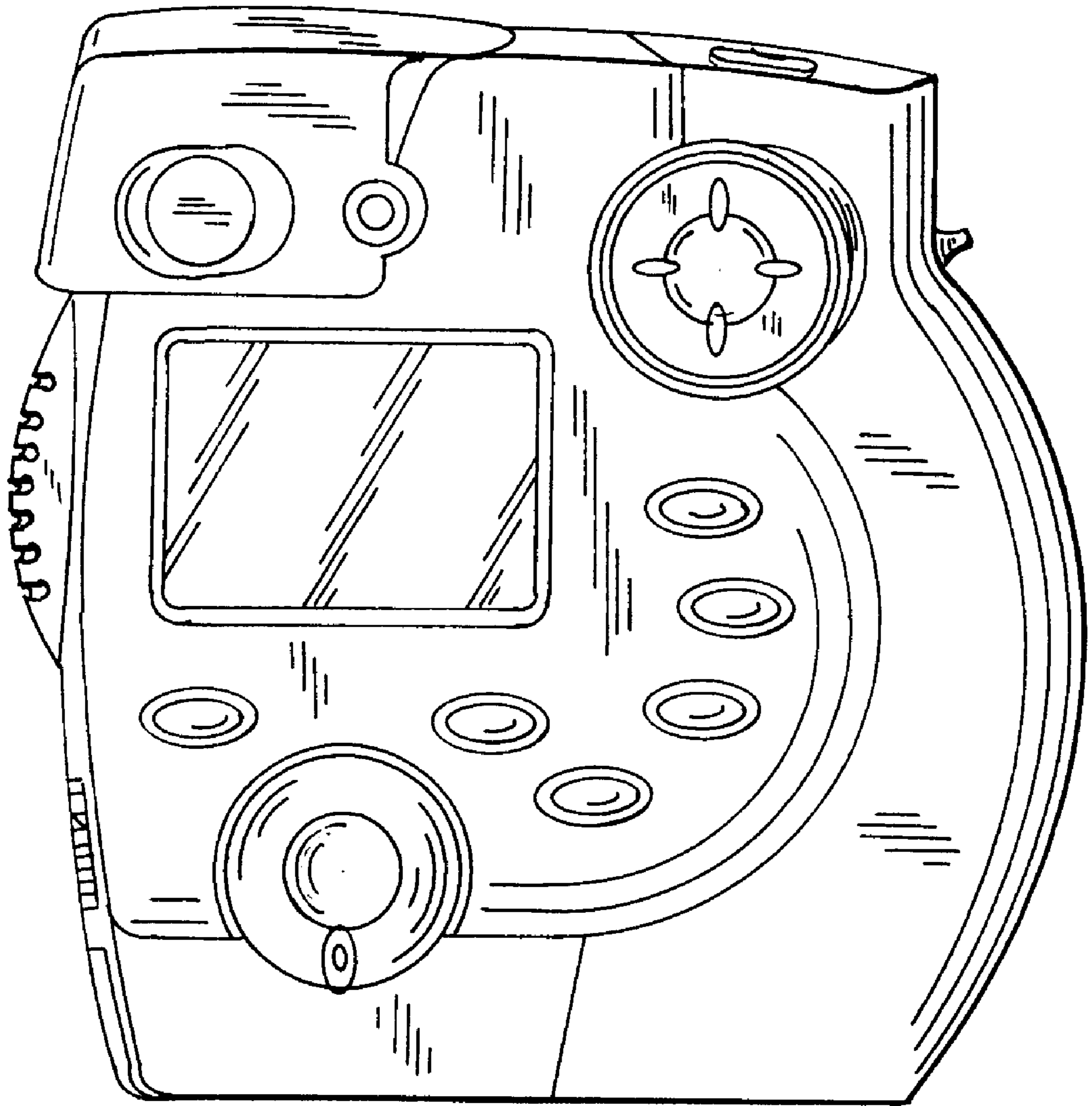


FIG. 2

FIG. 3

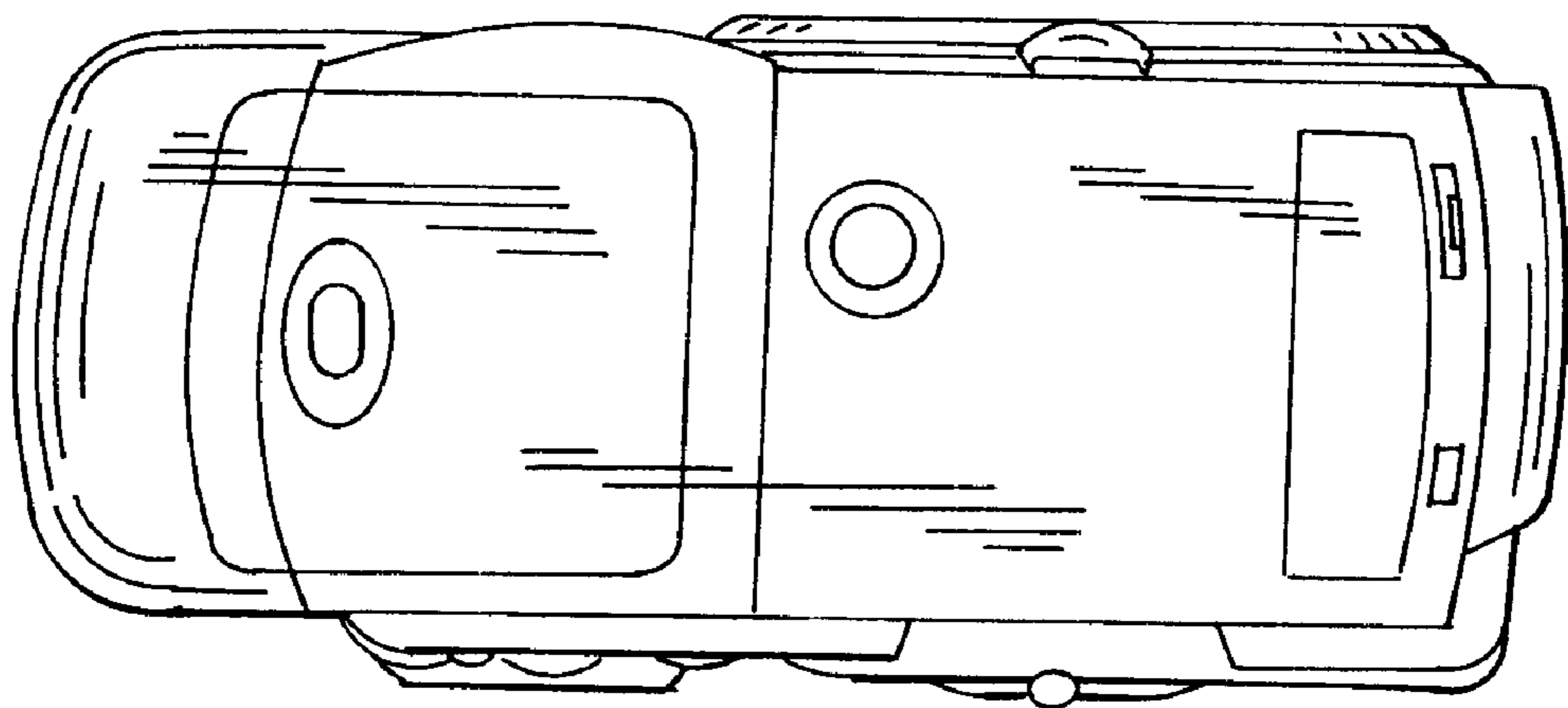
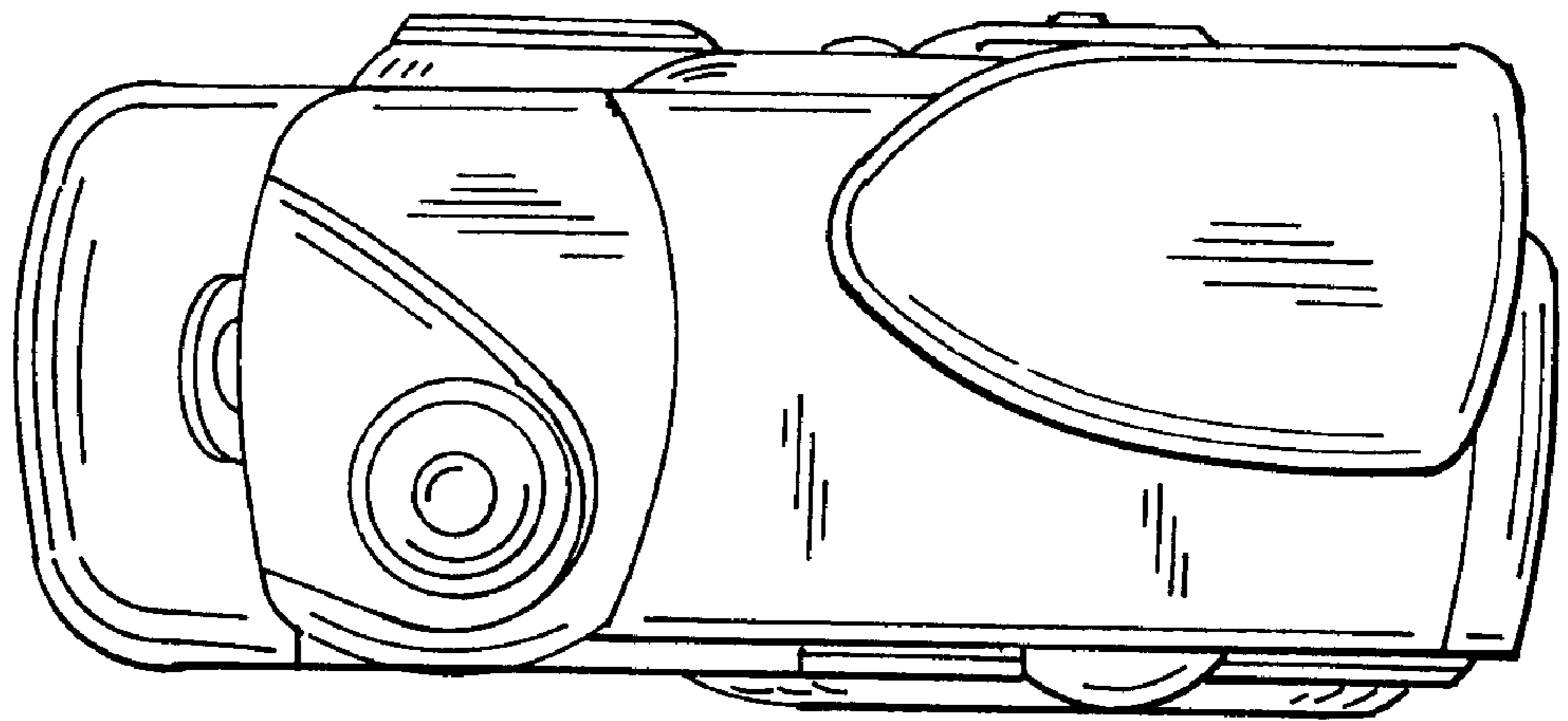


FIG. 4

FIG. 5

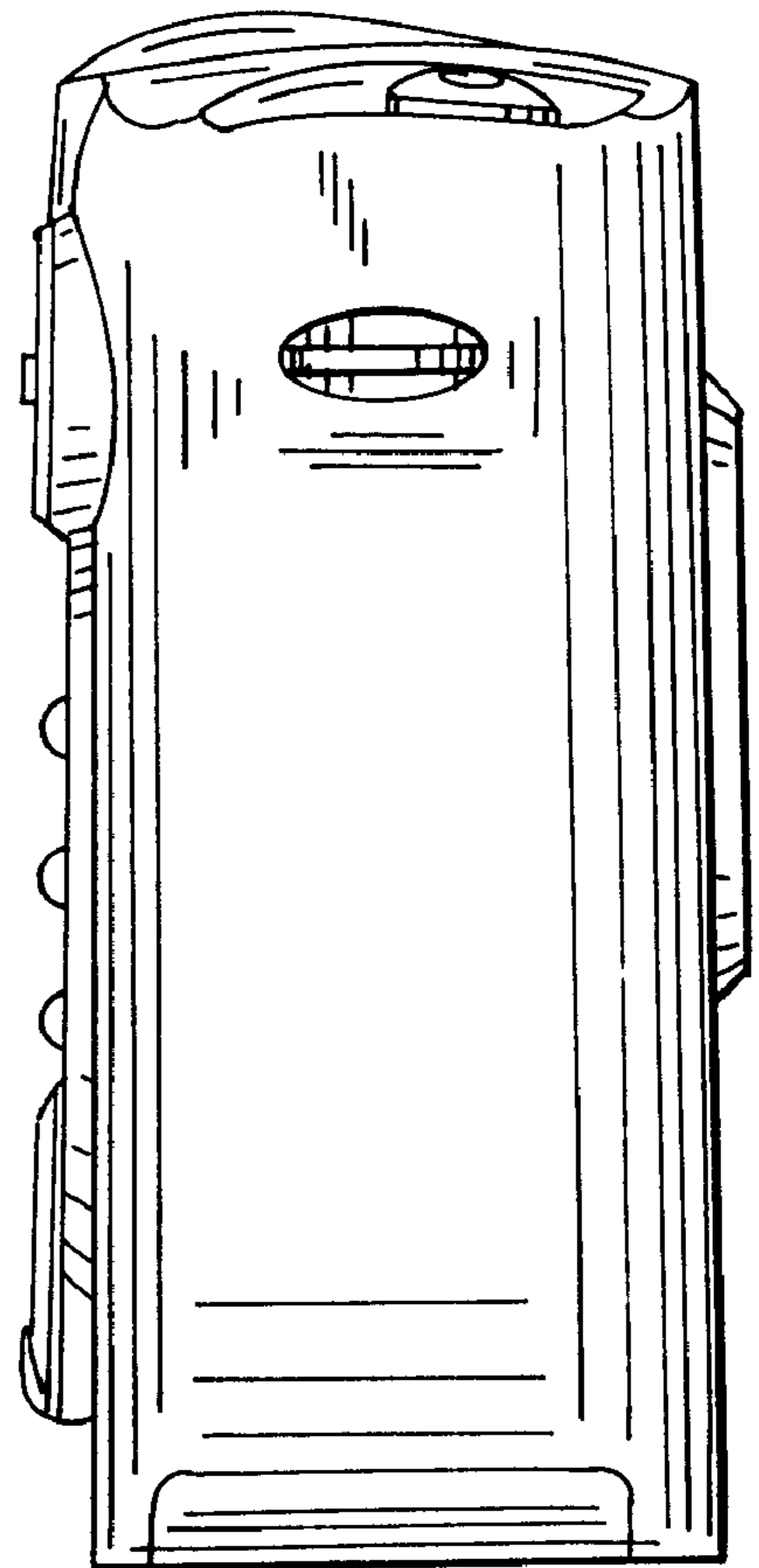
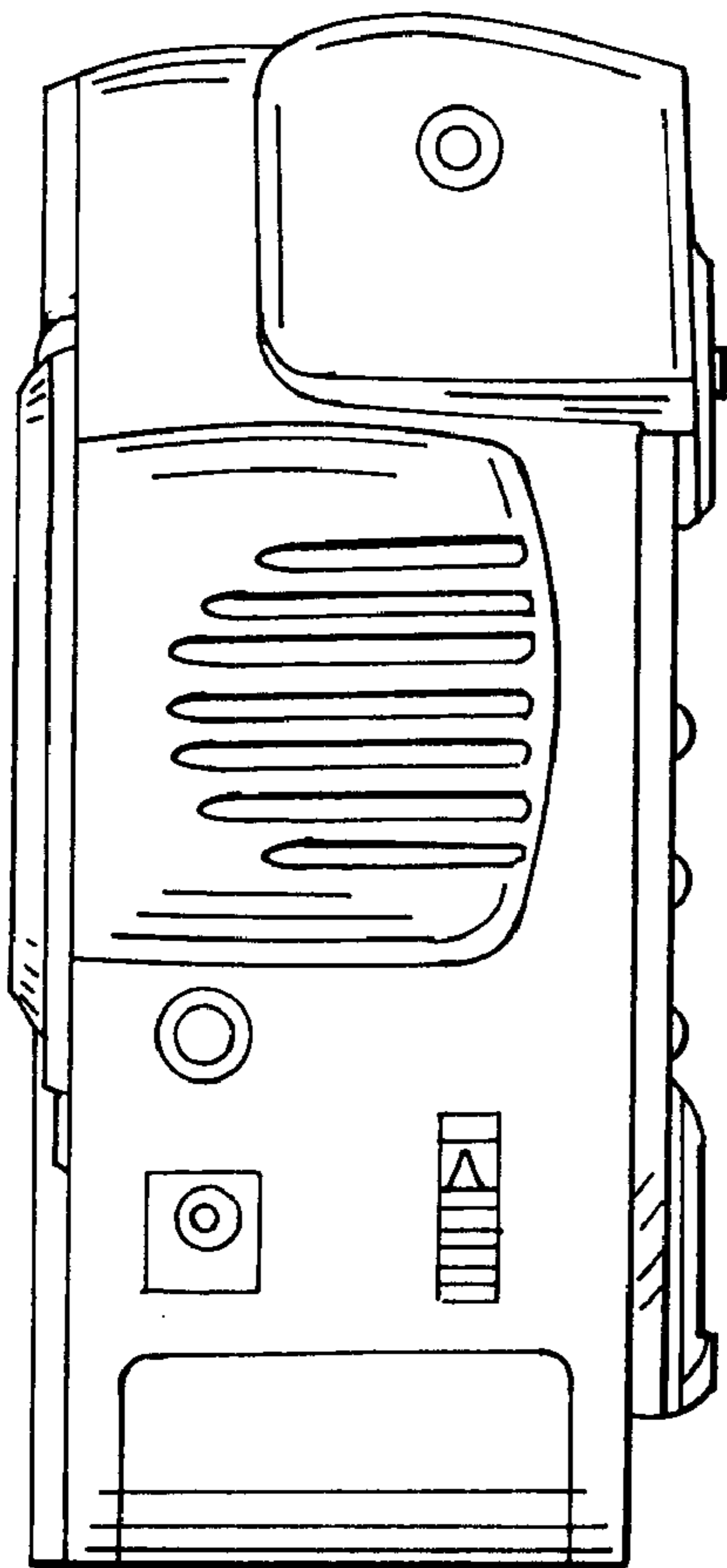


FIG. 6

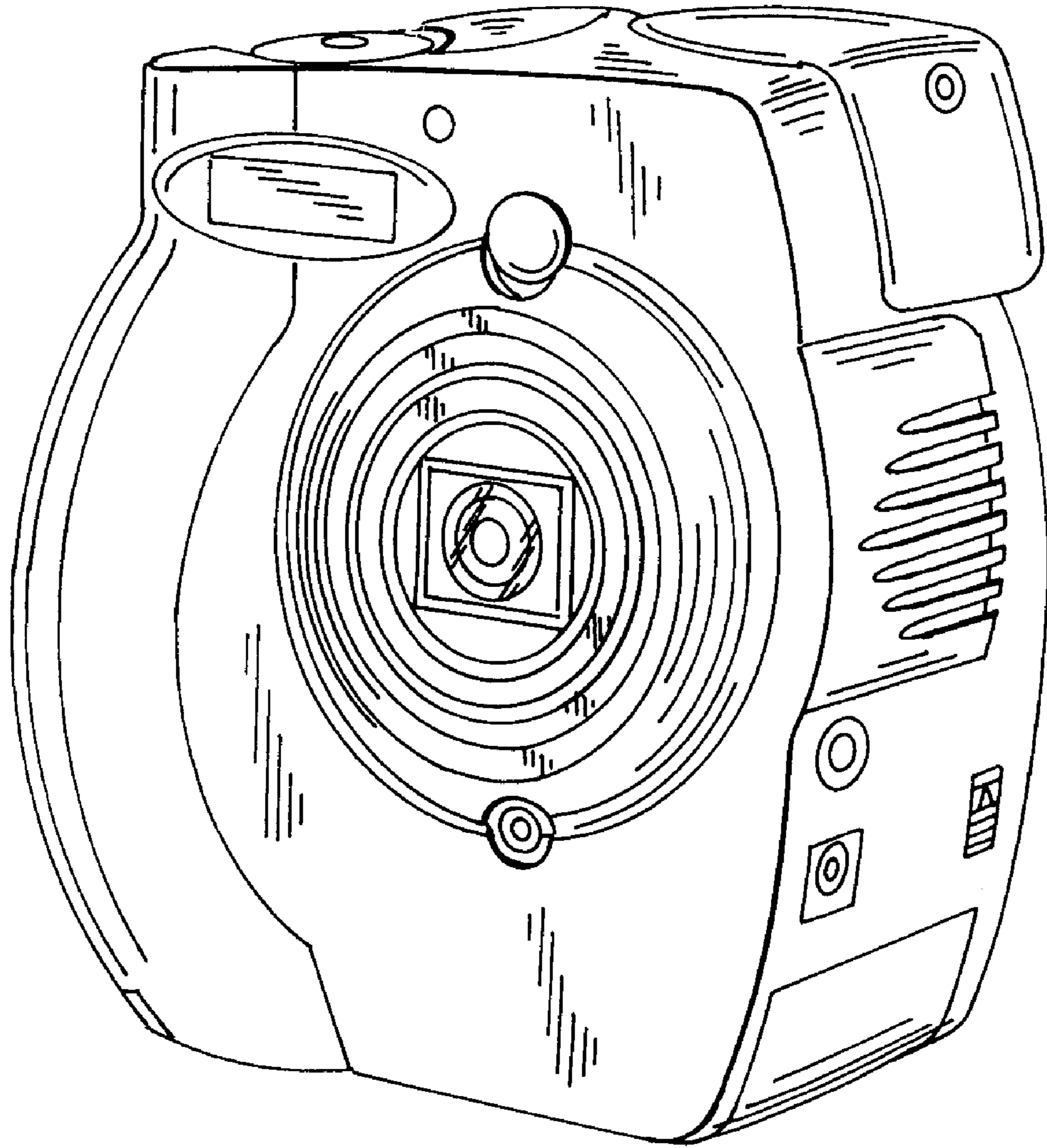


FIG. 7

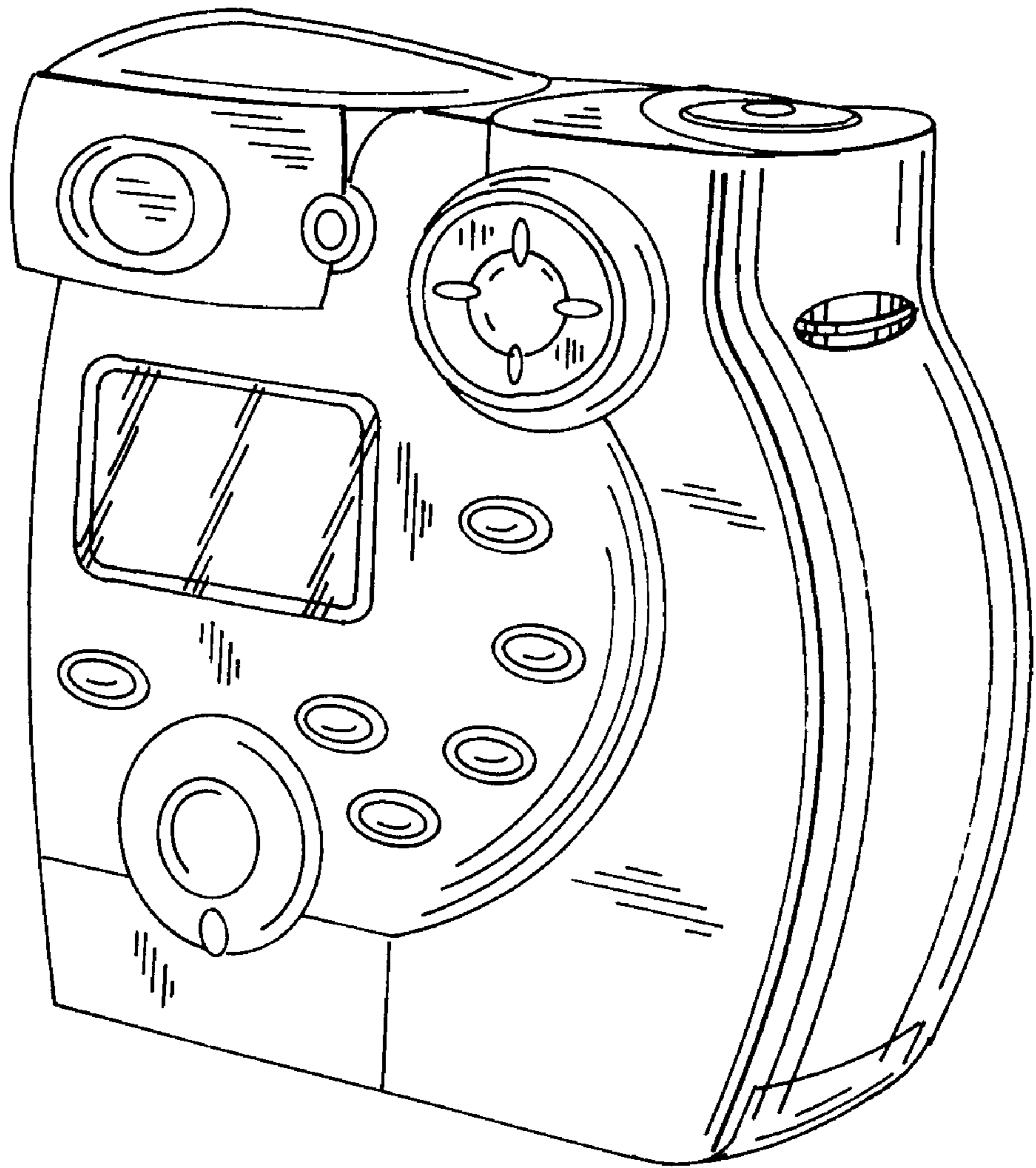


FIG. 8