



US00D464068S

(12) **United States Design Patent**  
**Asaka et al.**

(10) **Patent No.:** **US D464,068 S**

(45) **Date of Patent:** **\*\* Oct. 8, 2002**

(54) **BODY OF MICROSCOPE**

(75) Inventors: **Takeshi Asaka**, Tokyo (JP); **Minoru Inoue**, Ina (JP); **Shinichiro Shiba**, Minowa-machi (JP)

(73) Assignee: **Olympus Optical Co., Ltd.**, Tokyo (JP)

(\*\*) Term: **14 Years**

(21) Appl. No.: **29/147,329**

(22) Filed: **Aug. 27, 2001**

(30) **Foreign Application Priority Data**

Feb. 27, 2001 (JP) ..... 2001-004636

(51) **LOC (7) Cl.** ..... **16-06**

(52) **U.S. Cl.** ..... **D16/131**

(58) **Field of Search** ..... D16/130, 131,  
D16/134, 136; 359/368, 381, 382, 383,  
384, 385, 388, 393

(56) **References Cited**

**U.S. PATENT DOCUMENTS**

D243,601 S \* 3/1977 Leeming, Sr. et al. .... D16/131

D252,276 S \* 7/1979 Griffith ..... D16/131  
4,445,758 A \* 5/1984 Emmel ..... 359/392  
D291,702 S \* 9/1987 Kahute ..... D16/131  
D345,748 S \* 4/1994 Holbi ..... D16/131  
D389,163 S \* 1/1998 Hofmann-Igi ..... D16/131  
D419,168 S \* 1/2000 Franks et al. .... D16/131  
D445,813 S \* 7/2001 Asaka et al. .... D16/131

\* cited by examiner

*Primary Examiner*—Paula A. Mortimer

(74) *Attorney, Agent, or Firm*—Hogan & Hartson, LLP

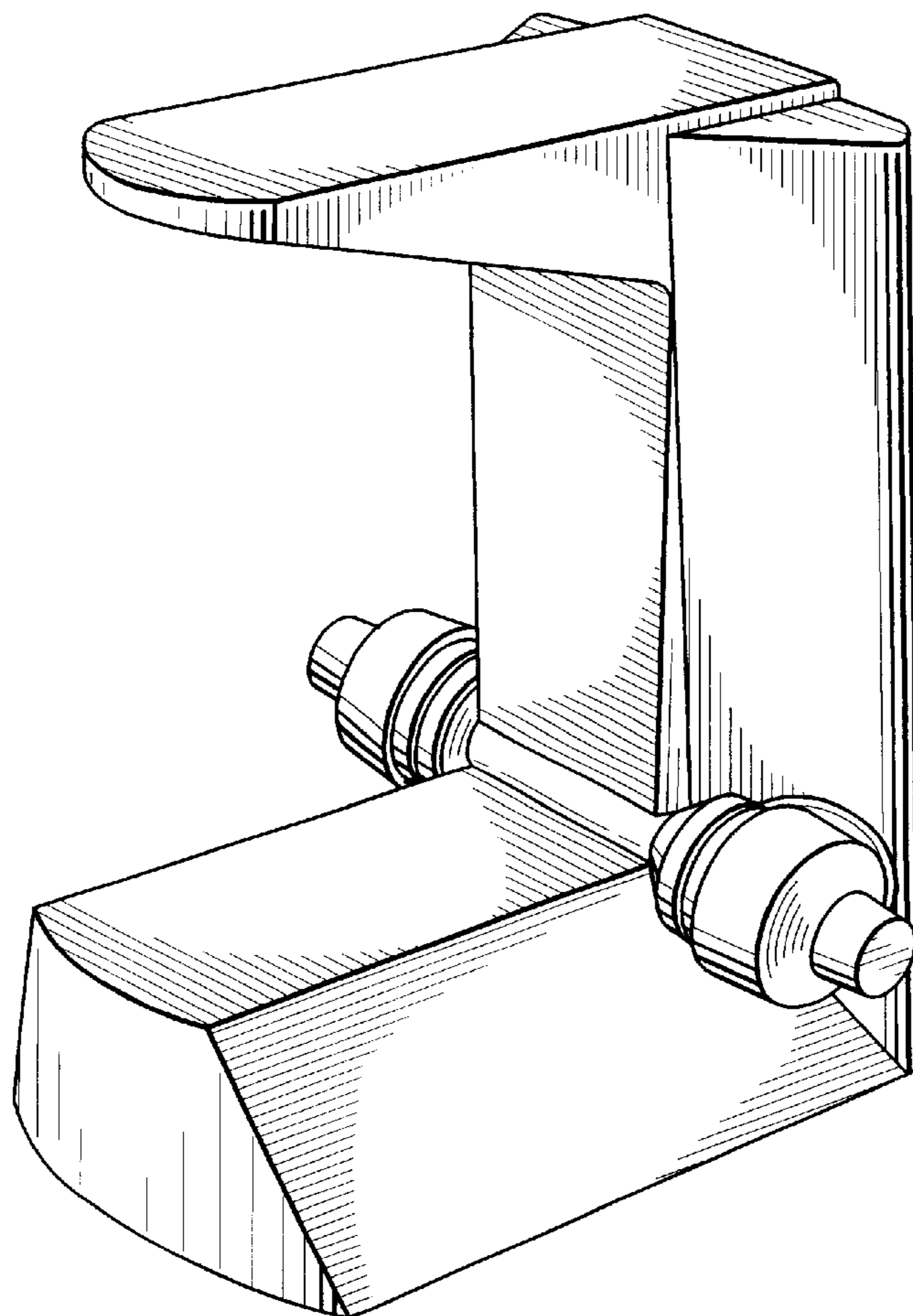
(57) **CLAIM**

The ornamental design for a body of microscope, as shown.

**DESCRIPTION**

FIG. 1 is a front, top and right side perspective view of a body of microscope, showing our new design;  
FIG. 2 is a front elevational view thereof;  
FIG. 3 is a rear elevational view thereof;  
FIG. 4 is a right side elevational view thereof;  
FIG. 5 is a left side elevational view thereof;  
FIG. 6 is a top plan view thereof; and,  
FIG. 7 is a bottom plan view thereof.

**1 Claim, 4 Drawing Sheets**



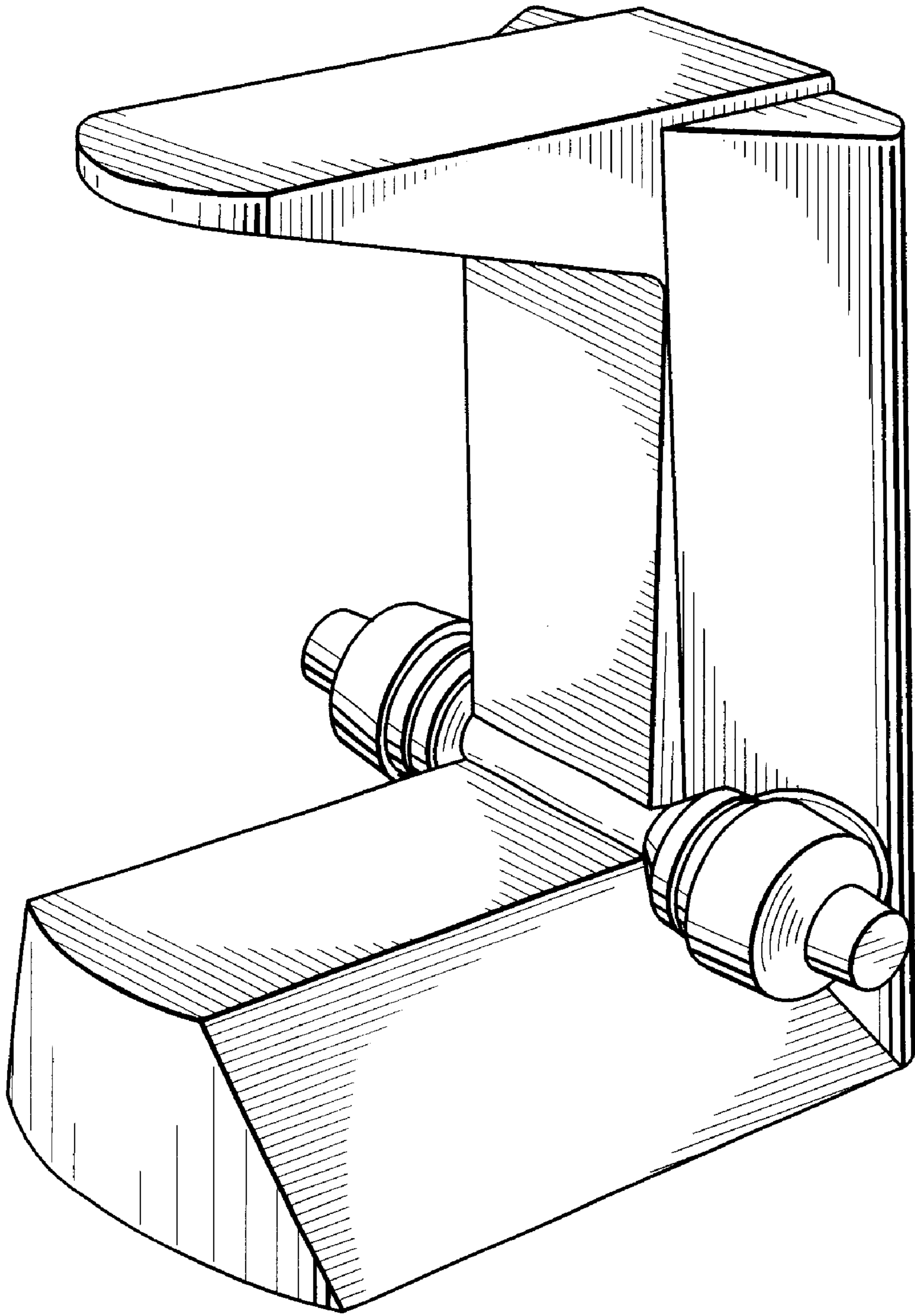


FIG. 1

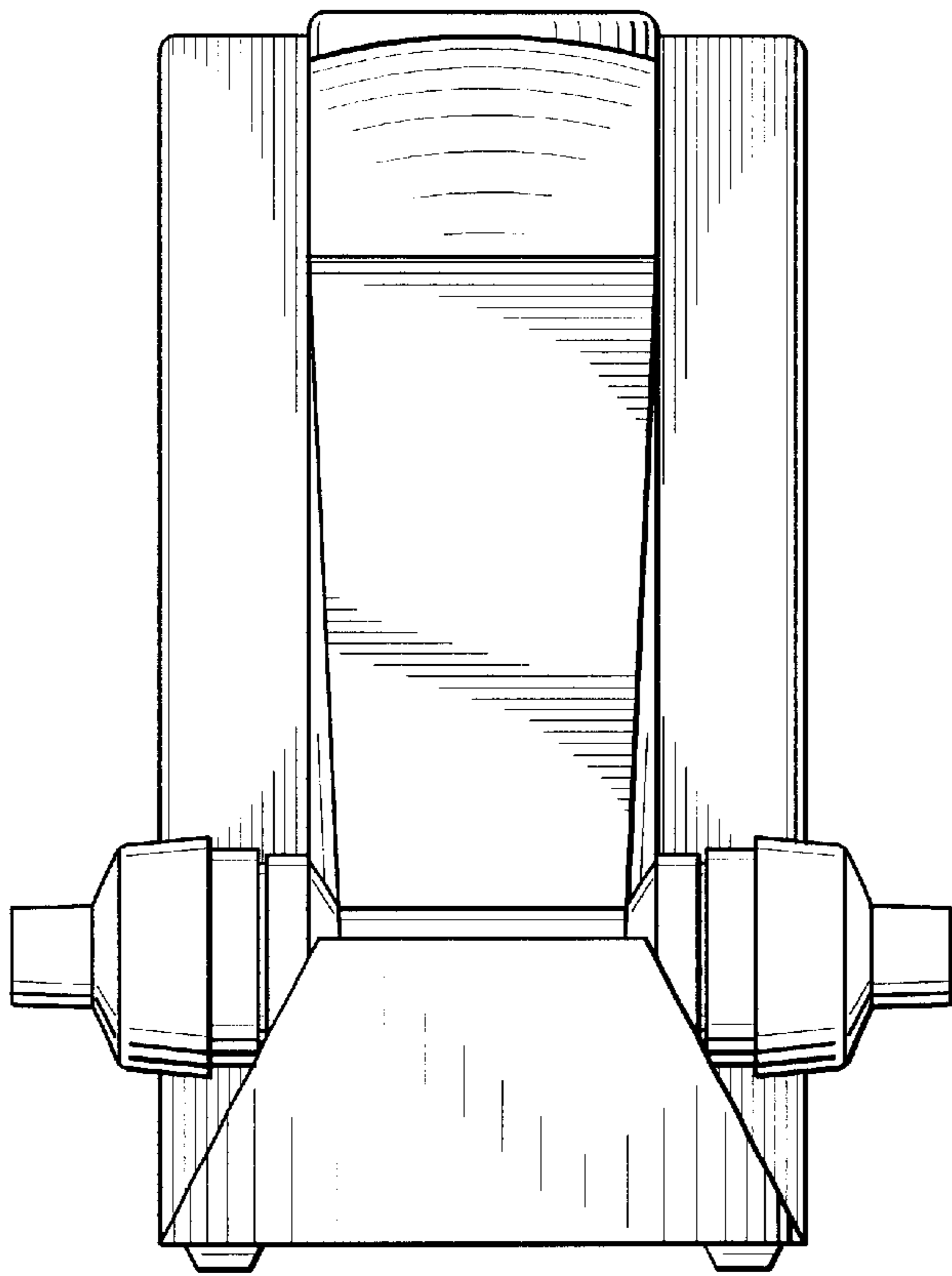


FIG. 2

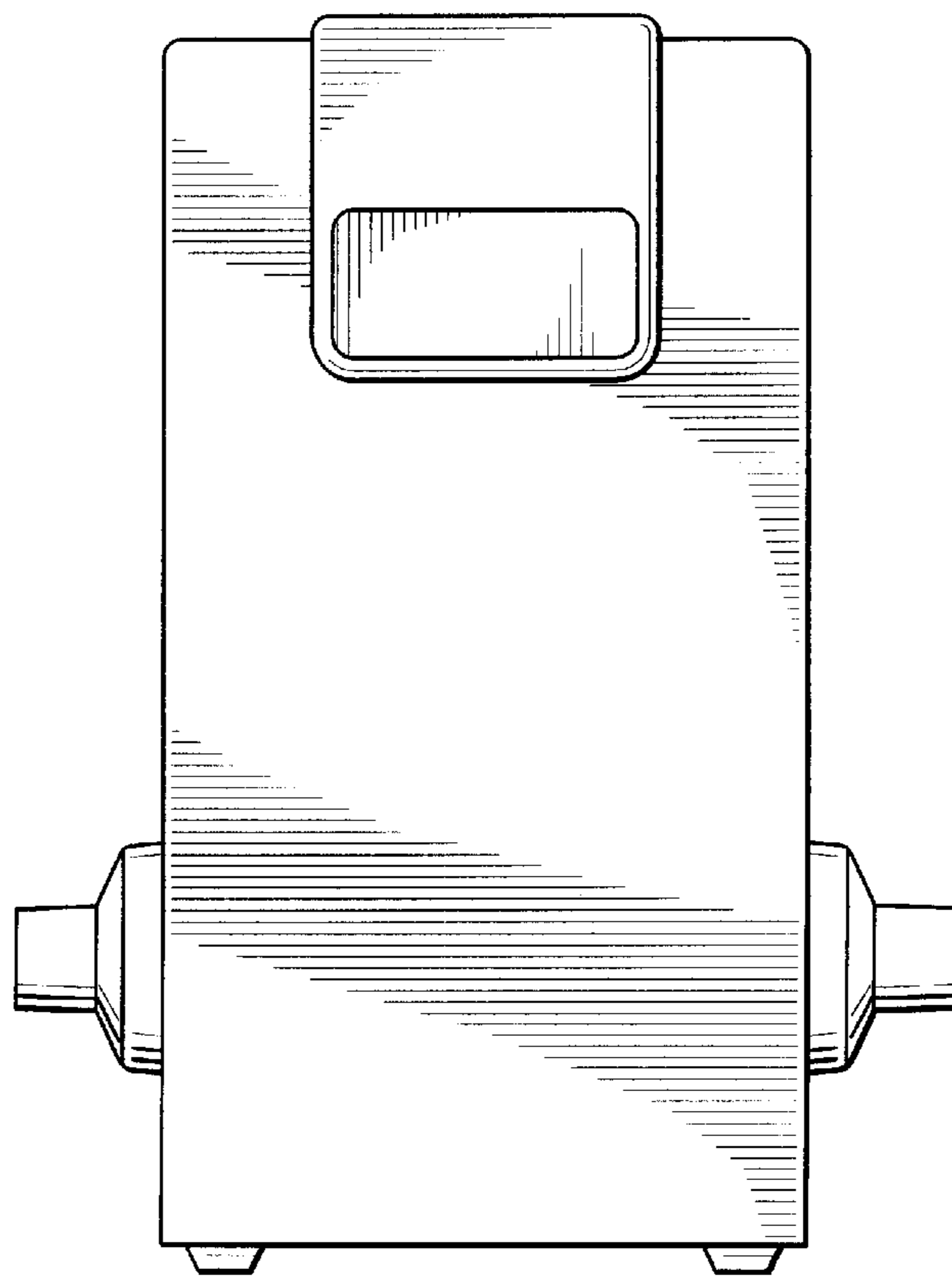


FIG. 3

FIG. 4

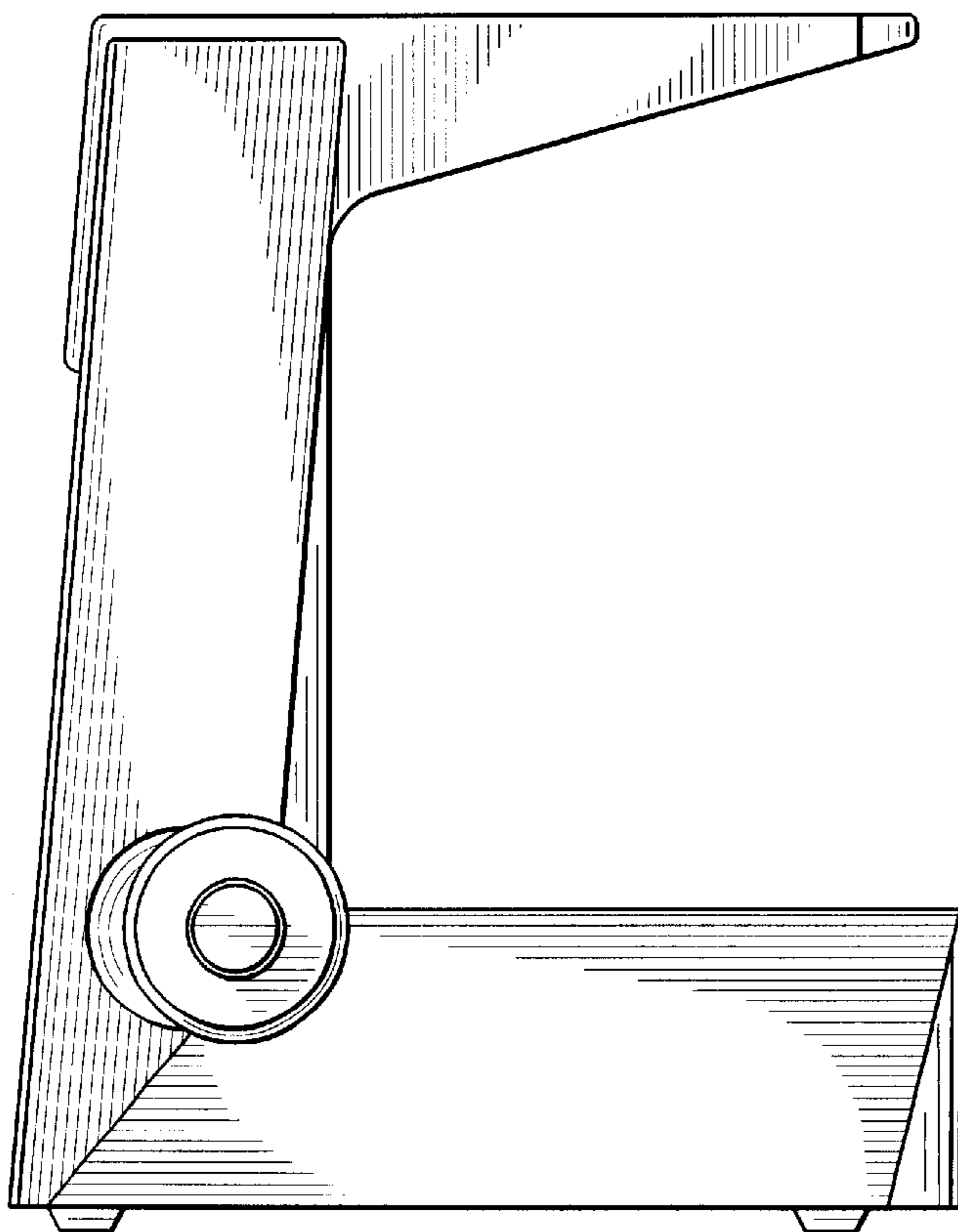
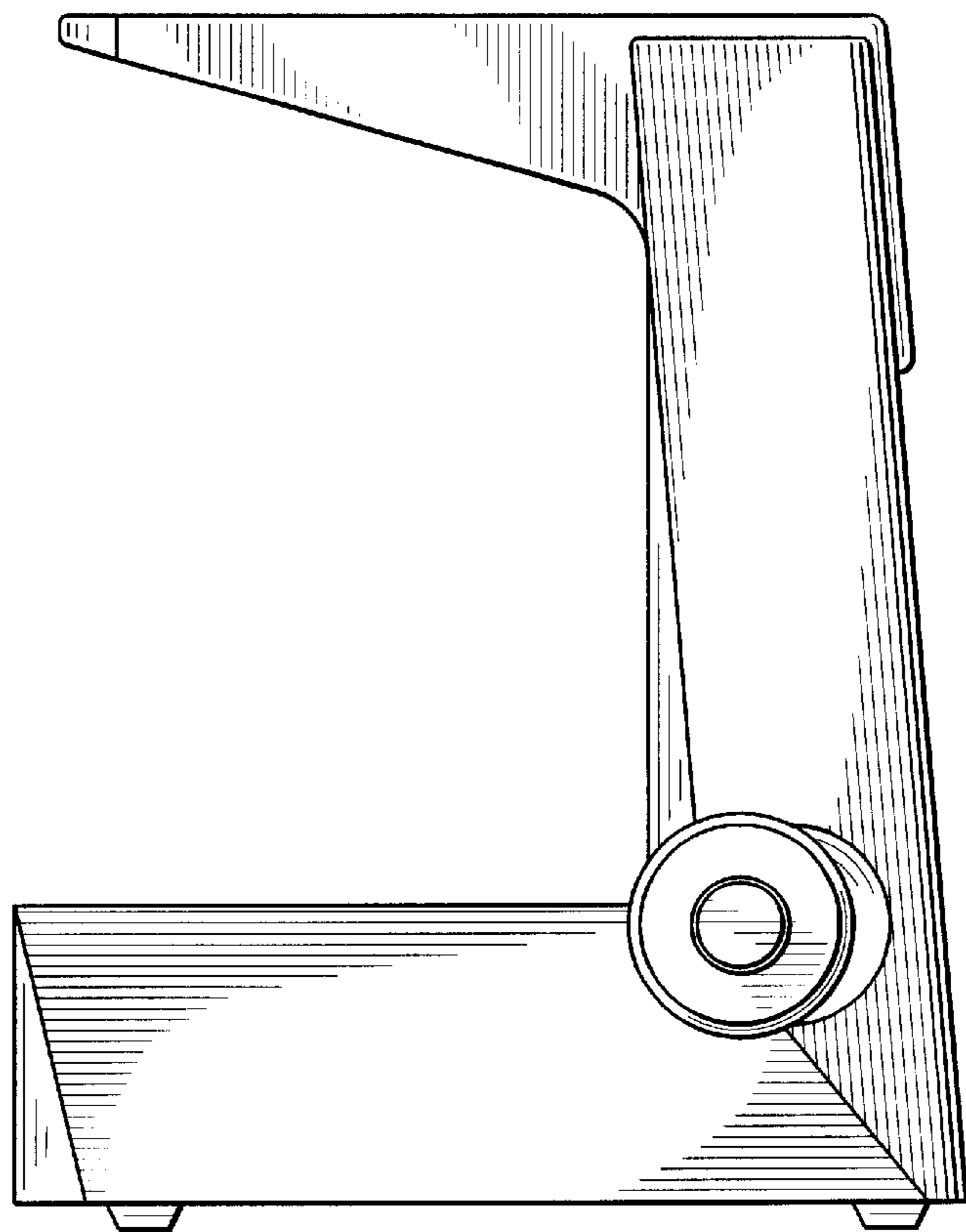


FIG. 5

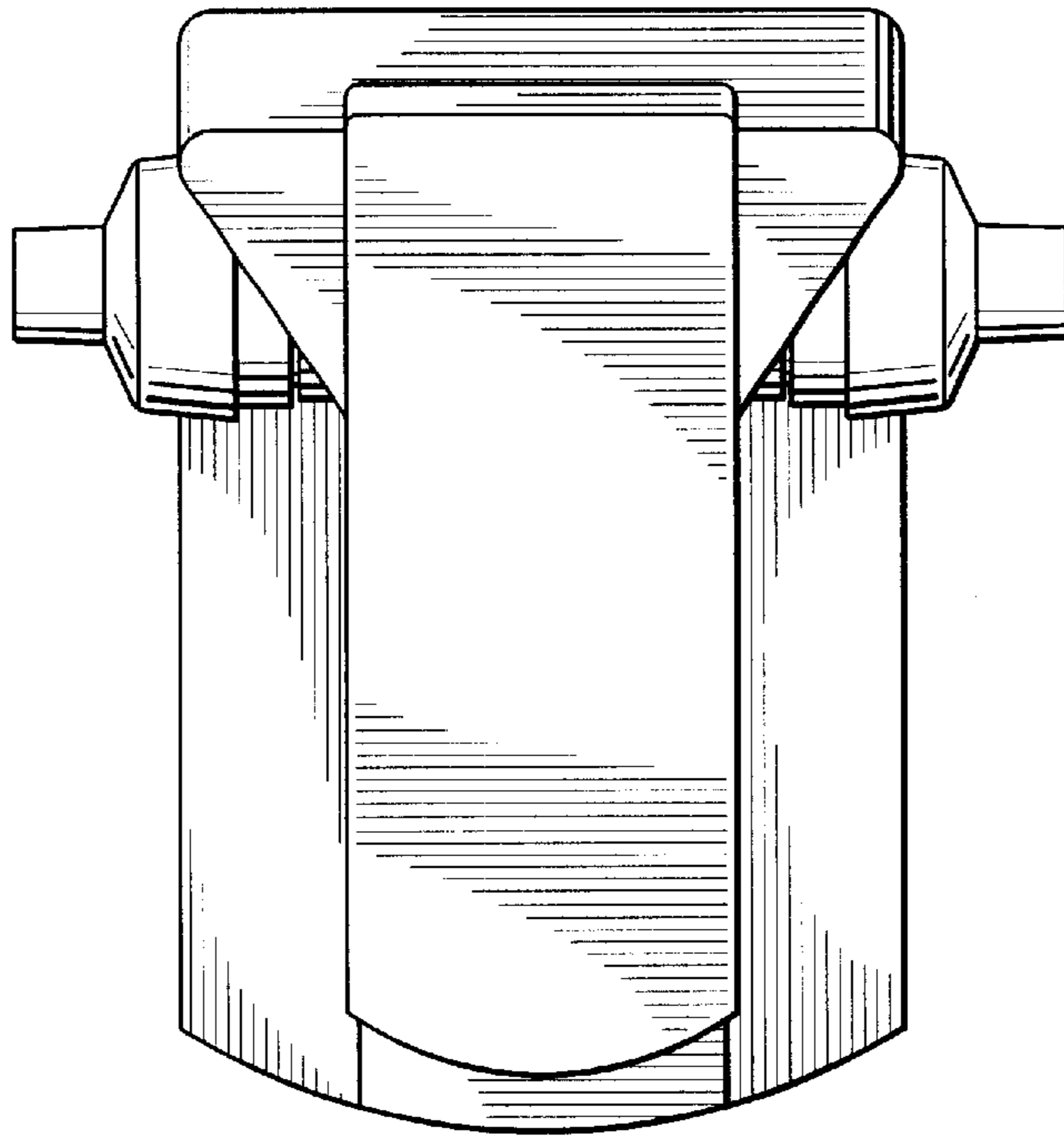


FIG. 6

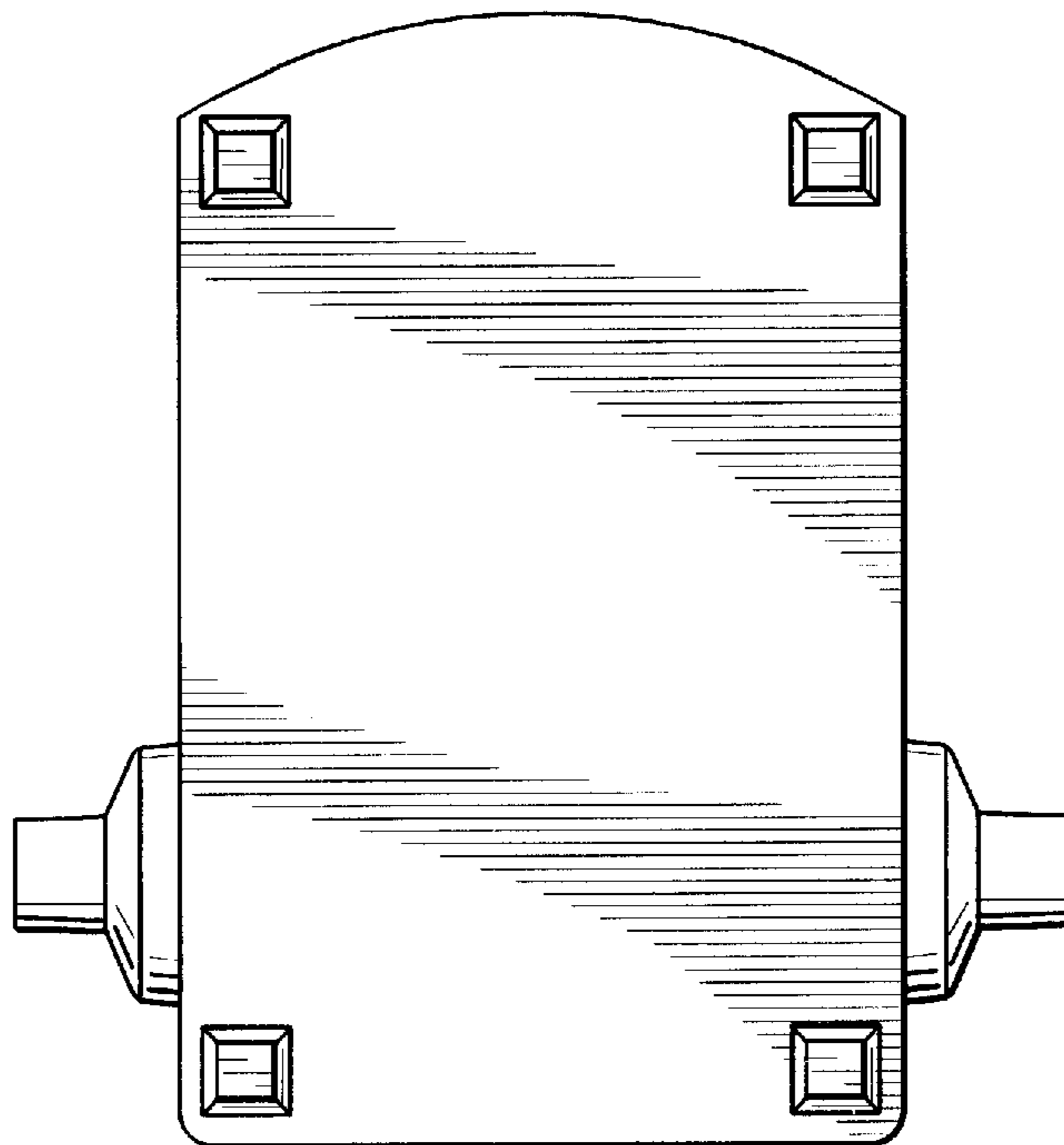


FIG. 7